

T255NHEU

Parts Catalog

# 목 차

---

## 0. 트랙터 KIT PART NO. TK1

FIG 001 K1 AUTO THROTTLE KIT	6
FIG 001 VALVE KIT, AUX	8
FIG 001 AUX VALVE KIT	10

## 1. 엔진 PART NO. EG

FIG 100 ENGINE	13
FIG 101 CYLINDER BLOCK	15
FIG 102 GEAR HOUSING	17
FIG 103 OIL SUMP	19
FIG 104 CYLINDER HEAD & BONNET	21
FIG 105 EXHAUST MANIFOLD	24
FIG 106 CAMSHAFT & DRIVING GEAR	26
FIG 107 CRANKSHAFT & PISTON	28
FIG 108 LUB.OIL SYSTEM	30
FIG 109 COOLING WATER SYSTEM	32
FIG 110 FUEL INJECTION PUMP	34
FIG 111 GOVERNOR	36
FIG 112 FUEL INJECTION VALVE	38
FIG 113 FUEL FILTER	40
FIG 114 STARTING MOTOR	42
FIG 115 GENERATOR	44

## 2. 엔진보기품 PART NO. T2

FIG 201 AIR CLEANER	47
FIG 202 RADIATOR	49
FIG 203 MUFFLER	51
FIG 204 FUEL TANK & FUEL LINE	53
FIG 205 ACCELERATOR	55
FIG 206 FUEL FILTER	57

FIG 207 ENGINE MOUNTING	59
-------------------------	----

### 3. 클러치/브레이크/스티어링 PART NO. T3

FIG 301 FLYWHEEL COVER	62
FIG 302 BRAKE	64
FIG 303 BRAKE PEDAL & LINKAGE	66
FIG 304 SPEED CONTROL	68
FIG 305 DASH COVER	71
FIG 306 STEERING VALVE	73
FIG 307 STEERING CYLINDER	75
FIG 308 STEERING WHEEL	77
FIG 309 TIRE	79

### 4. 트랜스미션 PART NO. T4

FIG 401 INPUT SHAFT	82
FIG 402 HST	84
FIG 403 INPUT GEAR	86
FIG 404 RANGE GEAR	88
FIG 405 4WD DRIVE GEAR	90
FIG 406 P.T.O DRIVE SHAFT	92
FIG 407 P.T.O SHAFT	94
FIG 408 MID P.T.O GEAR	96
FIG 409 DIFF LOCK	98
FIG 410 REAR TRANSMISSION CASE	100
FIG 411 REAR AXLE HOUSINGS	102
FIG 412 RANGE SHIFT LEVER	104
FIG 413 P.T.O CHANGE LEVER	106
FIG 414 4WD CHANGE LEVER	108
FIG 415 TRANSMISSION MOUNTING	110

### 5. 프론트 액슬 PART NO. T5

FIG 501 FRONT DRIVE SHAFT	113
FIG 502 FRONT DIFFERENTIAL GEAR	115
FIG 503 FRONT AXLE HOUSING	117
FIG 504 FRONT GEAR CASE (1)	119

FIG 505 FRONT GEAR CASE (2)	121
<b>6. 유압/3점링크 PART NO. T6</b>	
FIG 601 CYLINDER CASE	124
FIG 602 LIFT ARM	126
FIG 603 FLOW CONTROL VALVE	128
FIG 604 MAIN CONTROL VALVE	130
FIG 605 HYDRAULIC SUB	132
FIG 606 HITCH & 3-POINT LINKAGE	134
FIG 607 HITCH & COVER	136
FIG 608 AUXILIARY VALVE	138
<b>7. 시트메탈/캐빈 PART NO. T7</b>	
FIG 701 BONNET (1)	141
FIG 701-2 BONNET (2)	143
FIG 702 FLOOR	145
FIG 703 SEAT	147
FIG 704 ROPS	149
FIG 705 LEVER COVER & FENDER	151
FIG 706 LAMP	153
<b>8. 전장 PART NO. T8</b>	
FIG 801 BATTERY MOUNTING	156
FIG 802 INSTRUMENT PANEL	158
FIG 803 HARNESS (1)	160
FIG 804 HARNESS (2)	162
<b>9. 라벨/옵션 PART NO. T9</b>	
FIG 805 HARNESS (3)	165
FIG 901 TOOL & ACCESSORY	167
FIG 902 WEIGHT	169
FIG 903 LABEL (1)	171

## 0. 트랙터 KIT PART NO. TK1

FIG 001 K1 AUTO THROTTLE KIT

6

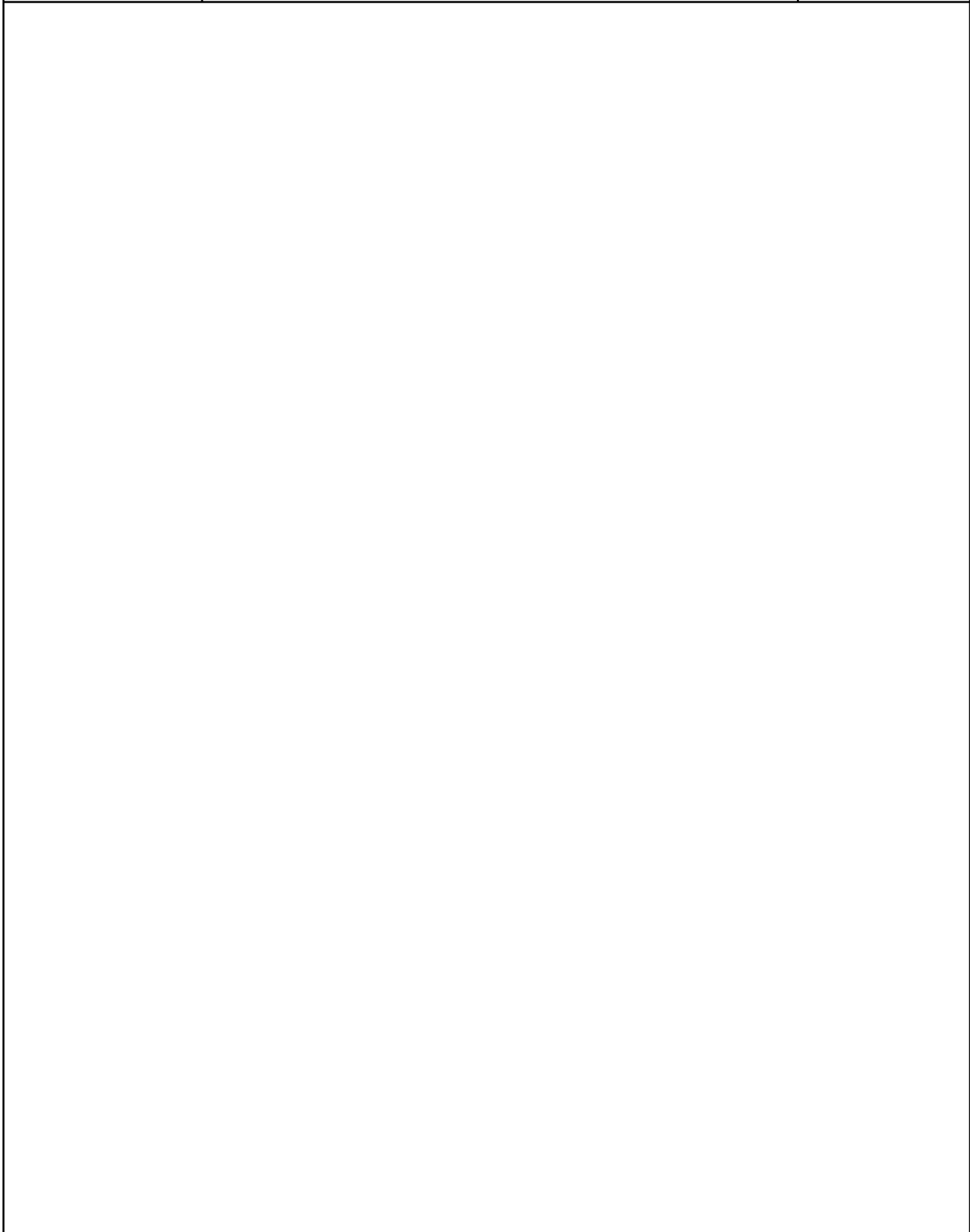
FIG 001 VALVE KIT, AUX

8

FIG 001 AUX VALVE KIT

10

FIG 001 T255NHEU	K1 AUTO THROTTLE KIT	년/월 Year/Month 2022-12
---------------------	----------------------	------------------------------



NOTE	
------	--



FIG 001 T255NHEU	VALVE KIT, AUX	년/월 Year/Month 2022-12
---------------------	----------------	------------------------------

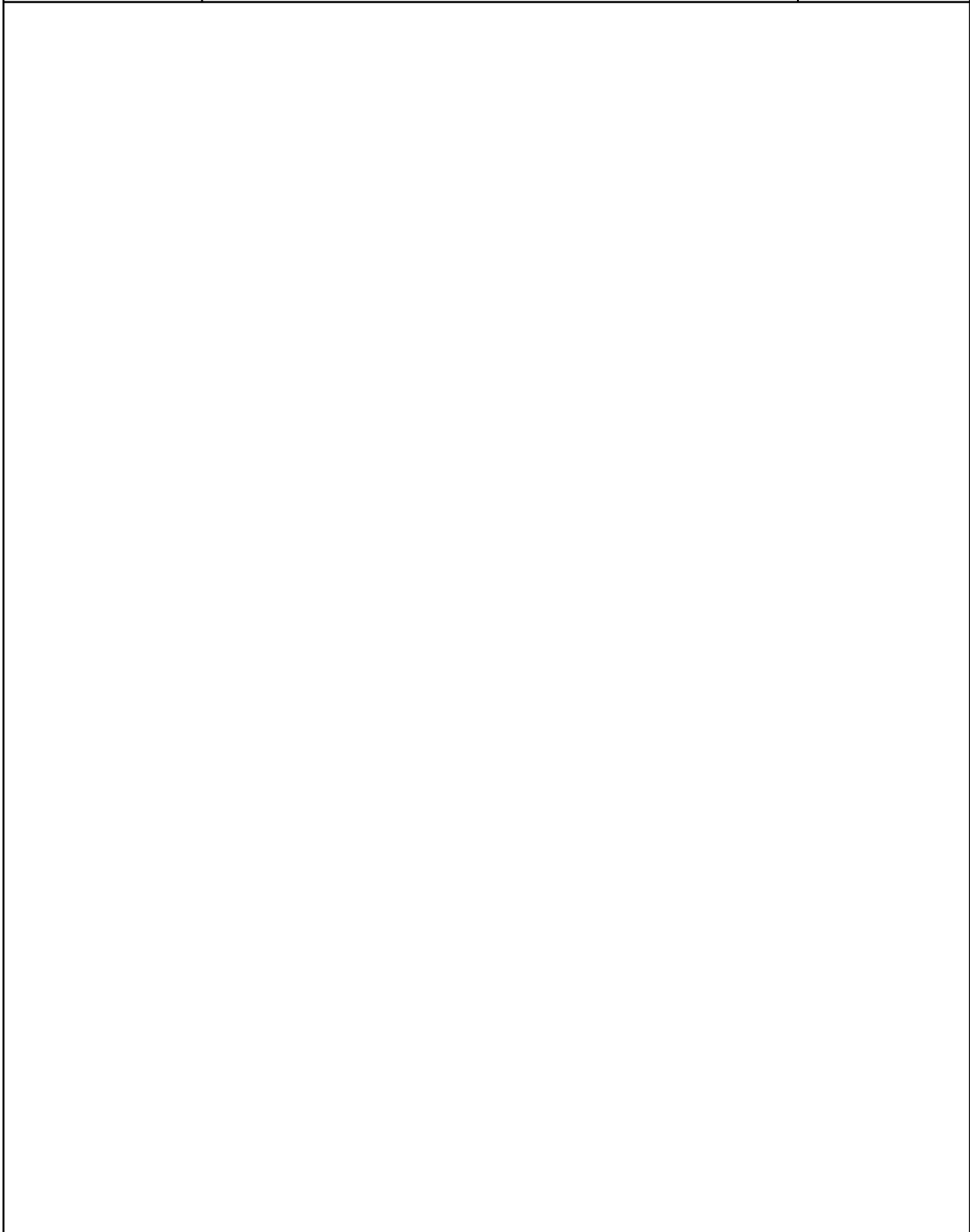
--	--

NOTE	
------	--



FIG 001		VALVE KIT, AUX						년/월 Year/Month	
								2022-12	
T255NHEU		KEY NO	PART NO	DESCRIPTION	SPEC	QTY	REPAIR	EFFECTIVE DATE	REMARKS
001	0	11105405000	외부유압밸브(2P) KIT			1			
001	1	11105405100	외부유압밸브(2P) SUB ASSY			1			
001	1.1	11105405140	바			1			
001	1.2	11105405150	노브			1			
001	2	16735080201	유니온(3/8)			2			
001	3	16495301000	커플링A(암)			2			
001	4	16994080072	유니온(SHORT)			1			
001	5	36313530021	어댑터(고압)			2			
001	6	11105405200	유압호스(1650) ASSY			1			
001	7	11105405300	유압호스(1150) ASSY			1			
001	8	11105405400	엘보(T)			1			
001	9	11105405500GB	외부유압 브래킷 COMP			1			
001	10	V2173608070	소형육각볼트보통(S)			2			
001	11	84200000230	나일론너트(M8)			2			
001	12	V2183608030	소형육각볼트보통(SP)			2			
001	13	13424020060	케이블타이(300)			10			
NOTE									

FIG 001 T255NHEU	AUX VALVE KIT	년/월 Year/Month 2022-12
---------------------	---------------	------------------------------



NOTE	
------	--



## 1. 엔진 PART NO. EG

FIG 100 ENGINE	13
FIG 101 CYLINDER BLOCK	15
FIG 102 GEAR HOUSING	17
FIG 103 OIL SUMP	19
FIG 104 CYLINDER HEAD & BONNET	21
FIG 105 EXHAUST MANIFOLD	24
FIG 106 CAMSHAFT & DRIVING GEAR	26
FIG 107 CRANKSHAFT & PISTON	28
FIG 108 LUB.OIL SYSTEM	30
FIG 109 COOLING WATER SYSTEM	32
FIG 110 FUEL INJECTION PUMP	34
FIG 111 GOVERNOR	36
FIG 112 FUEL INJECTION VALVE	38
FIG 113 FUEL FILTER	40
FIG 114 STARTING MOTOR	42
FIG 115 GENERATOR	44

FIG 100 T255NHEU	ENGINE	년/월 Year/Month
		2022-12
NOTE		



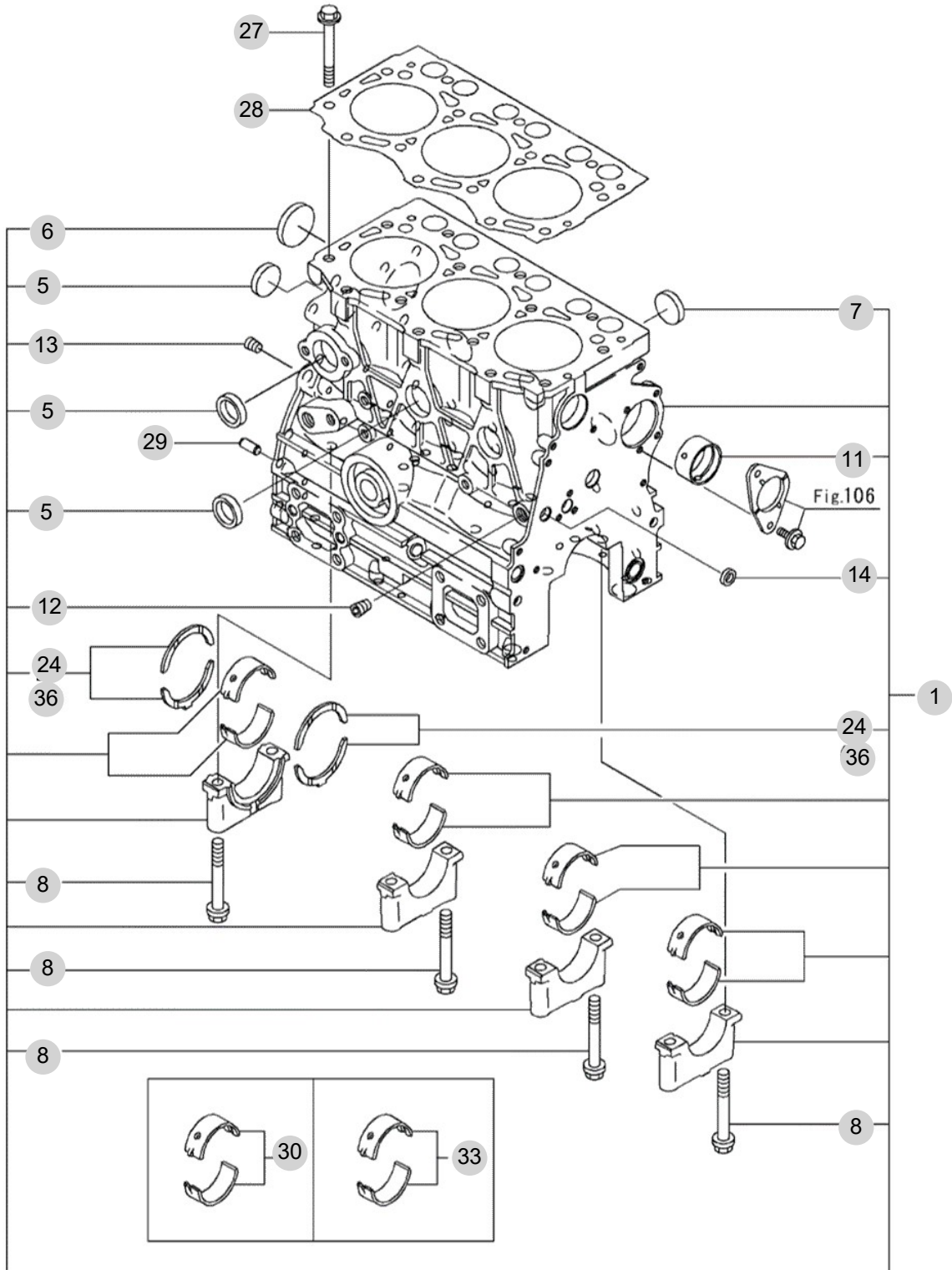
FIG 101

CYLINDER BLOCK

년/월  
Year/Month

T255NHEU

2022-12



NOTE





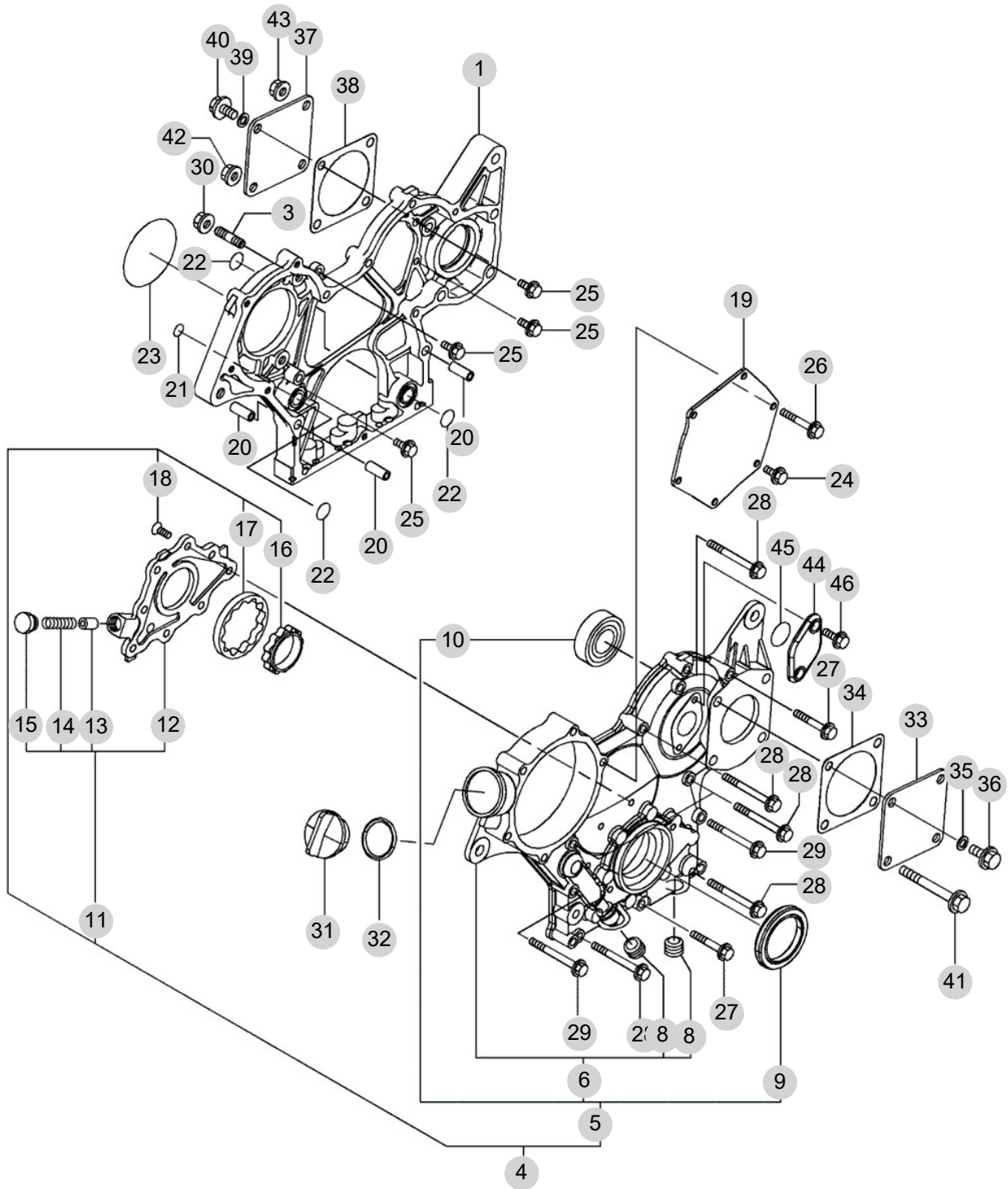
FIG 102

GEAR HOUSING

년/월  
Year/Month

T255NHEU

2022-12



NOTE

FIG 102		GEAR HOUSING					년/월 Year/Month		
							2022-12		
T255NHEU		KEY NO	PART NO	DESCRIPTION	SPEC	QTY	REPAIR	EFFECTIVE DATE	REMARKS
102	1	119740-01501	CASE, GEAR			1			
102	3	119717-01570	STUD			3			
102	4	119751-01590	COVER ASSY, GEAR CASE			1			
102	5	719751-01500	COVER ASSY, GEAR CASE			1			
102	6	119751-01521	COVER, GEAR CASE			1			
102	8	23876-030000	PLUG, R03			2			
102	9	119717-01800	SEAL, OIL			1			
102	10	24101-062024	깊은 홈 볼베어링			1			
102	11	119717-32100	COVER ASSY			1			
102	12	119717-32080	COVER			1			
102	13	129900-32130	VALVE, RELIEF			1			
102	14	129001-32320	SPRING			1			
102	15	129001-32330	PLUG			1			
102	16	119717-32110	ROTOR, INNER			1			
102	17	119717-32120	ROTOR, OUTER			1			
102	18	119802-32130	SCREW, M6X16			8			
102	19	119717-01750	COVER			1			
102	20	119660-01911	PIPE, KNOCK			4			
102	21	119624-32040	O-RING, P12.0			1			
102	22	119717-32050	O-RING, P17.0			3			
102	23	121850-51960	O-RING			1			
102	24	26106-060122	BOLT, M6X 12 PLATED			1			
102	25	26106-060162	BOLT, M6X 16 PLATED			4			
102	26	26106-060402	BOLT, M6X 40 PLATED			4			
102	27	26106-060402	BOLT, M6X 40 PLATED			2			
102	28	26106-060602	BOLT, M6X 60 PLATED			7			
102	29	26106-060652	BOLT, M6X 65 PLATED			2			
102	30	26306-080002	NUT, M8			3			
102	31	124160-01751	COVER, FILLER			1			
102	32	24311-000320	운동용 O링			1			
102	33	124240-01871	COVER			1			
102	34	129C26-01890	GASKET, HO-P			1			
102	35	22190-080002	WASHER, SEAL 8			1			
102	36	26106-080122	BOLT, M8X 12 PLATED			1			
102	37	124240-01871	COVER			1			
102	38	129C26-01890	GASKET, HO-P			1			
102	39	22190-080002	WASHER, SEAL 8			1			
102	40	26106-080142	BOLT, M8X 14 PLATED			1			
102	41	26106-080702	BOLT, M8X 70 PLATED			3			
102	42	26306-080002	NUT, M8			1			
102	43	26306-080002	NUT, M8			2			
102	44	121023-01551	COVER			1			
102	45	24341-000240	O-RING, 1AS24.0			1			
102	46	26106-060162	BOLT, M6X 16 PLATED			2			
NOTE									

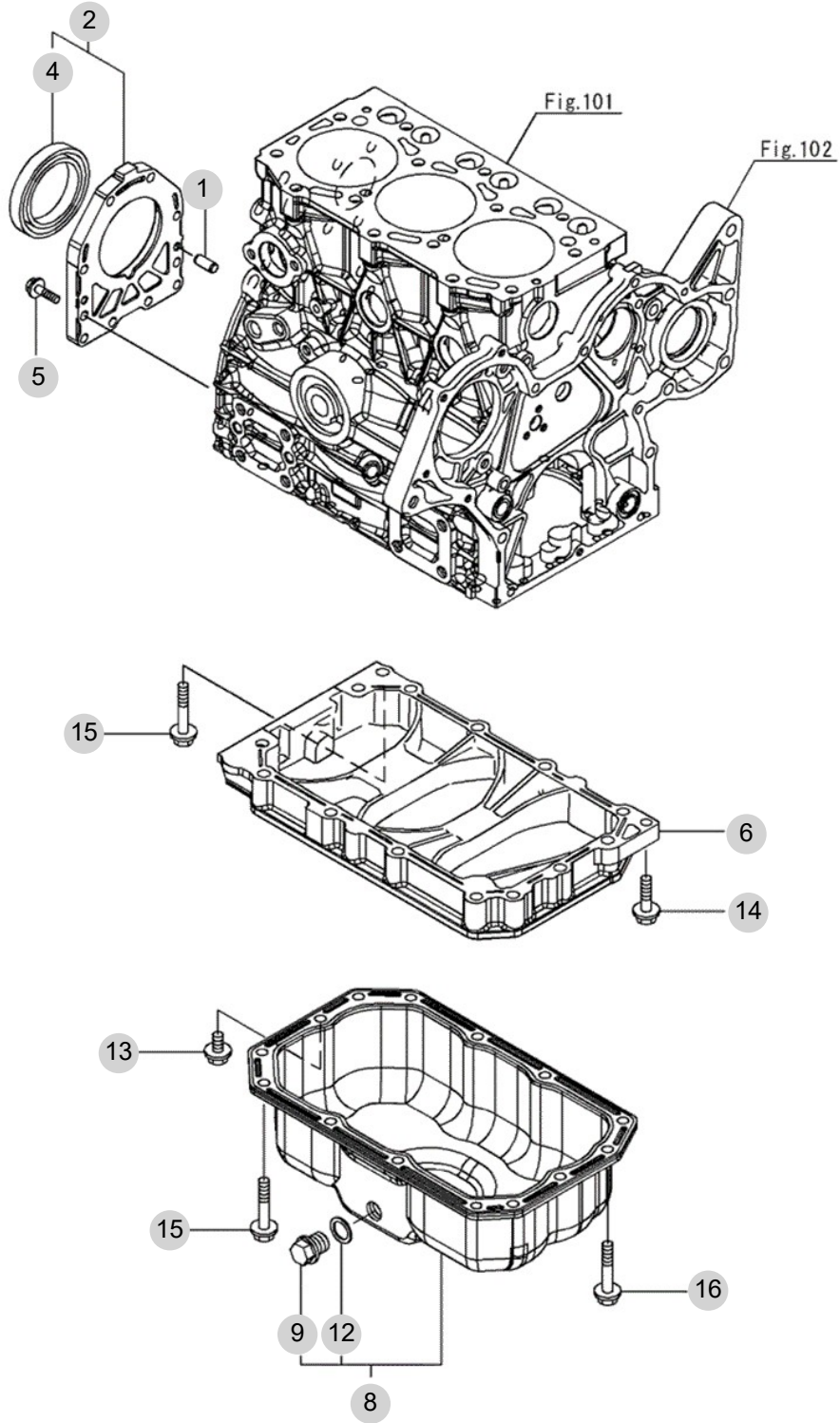
FIG 103

T255NHEU

OIL SUMP

년/월  
Year/Month

2022-12



NOTE



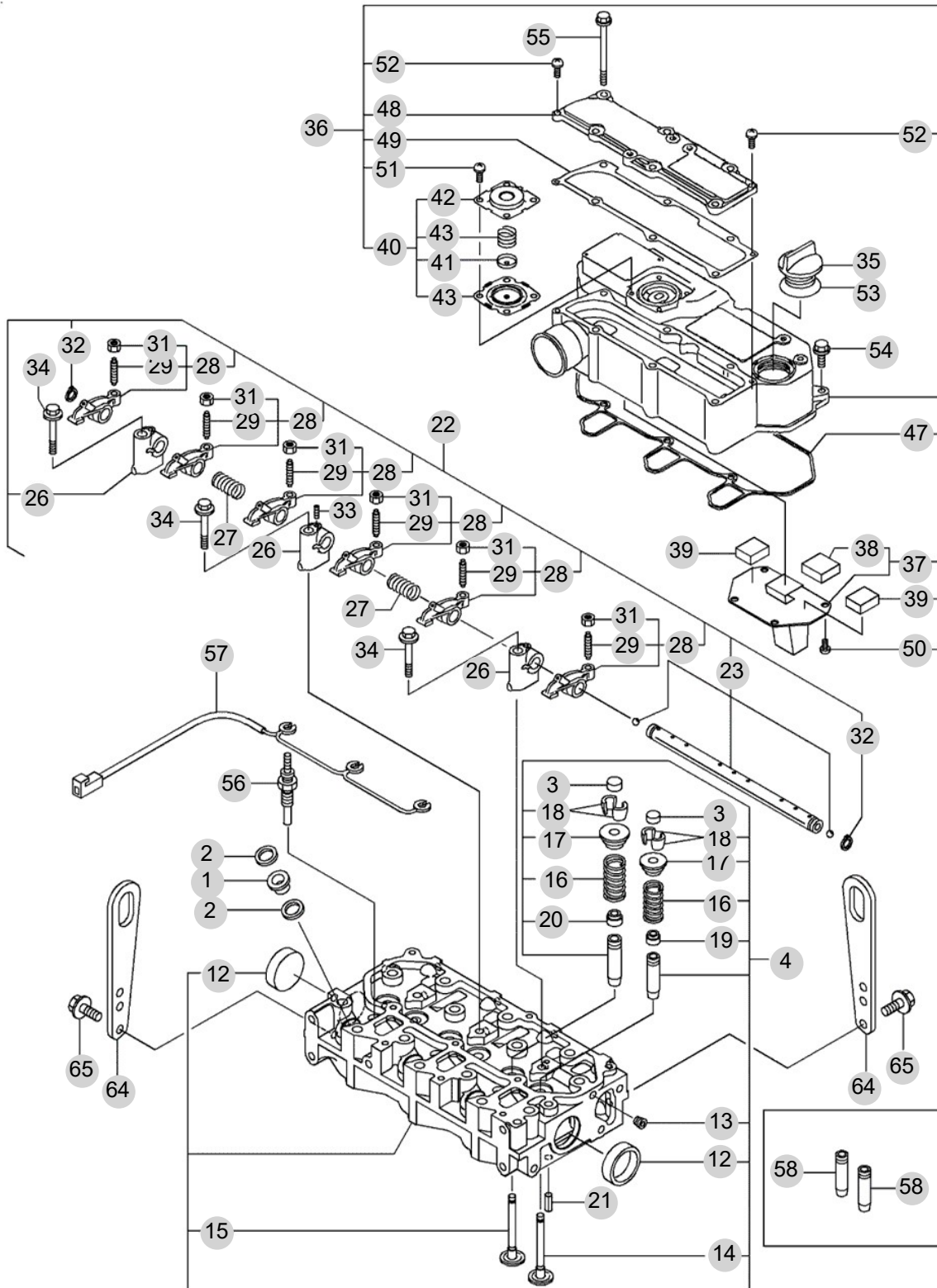
FIG 104

CYLINDER HEAD & BONNET

년/월  
Year/Month

2022-12

T255NHEU



NOTE

FIG 104		CYLINDER HEAD & BONNET					년/월 Year/Month		
							2022-12		
T255NHEU		KEY NO	PART NO	DESCRIPTION	SPEC	QTY	REPAIR	EFFECTIVE DATE	REMARKS
104	1	129901-11450	PROTECTOR, NOZZLE			3			
104	2	119600-11460	GASKET, NOZZLE			6			
104	3	105010-11490	CAP, VALVE			6			
104	4	119717-11740	HEAD ASSY, CYLINDER			1			
104	12	119285-11990	PLUG, 35			2			
104	13	23876-005000	PLUG, R005			1			
104	14	119717-11101	VALVE, INTAKE			3			
104	15	119717-11110	VALVE, EXHAUST			3			
104	16	119717-11131	SPRING, VALVE			6			
104	17	129508-11180	RETAINER, SPRING			6			
104	18	119717-11190	COTTER			12			
104	19	119717-11340	SEAL, VALVE STEM			3			
104	20	119717-11350	SEAL, VALVE STEM			3			
104	21	22351-060012	스프링핀			2			
104	22	119717-11200	SUPPORT ASSY, ARM			1			
104	23	119717-11240	SHAFT ASSY, ROCKER			1			
104	26	119717-11260	SUPPORT, ROCKER ARM			3			
104	27	119620-11280	SPRING			2			
104	28	119717-11650	ARM, ROCKER			6			
104	29	129150-11230	SCREW, VALVE ADJUST			6			
104	31	129150-11750	NUT, M8			6			
104	32	22242-000120	RING, 12			2			
104	33	119260-11270	SCREW			1			
104	34	26106-080402	BOLT, M8X 40 PLATED			3			
104	35	124160-01751	COVER, FILLER			1			
104	36	119717-11381	BONNET ASSY, HEAD			1			
104	37	119717-03031	PLATE			1			
104	38	119717-03070	BAFFLE, BREATHER			1			
104	39	119717-03070	BAFFLE, BREATHER			2			
104	40	119802-03100	DIAPHRAGM ASSY			1			
104	41	119802-03110	PLATE			1			
104	42	119802-03121	COVER, DIAPHRAGM			1			
104	43	119802-03131	DIAPHRAGM			1			
104	44	119802-03141	SPRING, DIAPHRAGM			1			
104	47	119718-11310	GASKET, BONNET			1			
104	48	119717-11320	COVER, BONNET			1			
104	49	119717-11331	GASKET			1			
104	50	22857-500100	SCREW, 5X10			4			
104	51	22857-500100	SCREW, 5X10			4			
104	52	22857-500160	SCREW, 5X16			2			
104	53	24311-000320	운동용O링			1			
104	54	26106-060202	BOLT, M6X20 PLATED			3			
104	55	26106-060752	BOLT, M6X75 PLATED			6			
104	56	119717-77801	PLUG, GLOW			3			
104	57	119717-77820	CONNECTOR, GLOW PLUG			1			
NOTE									



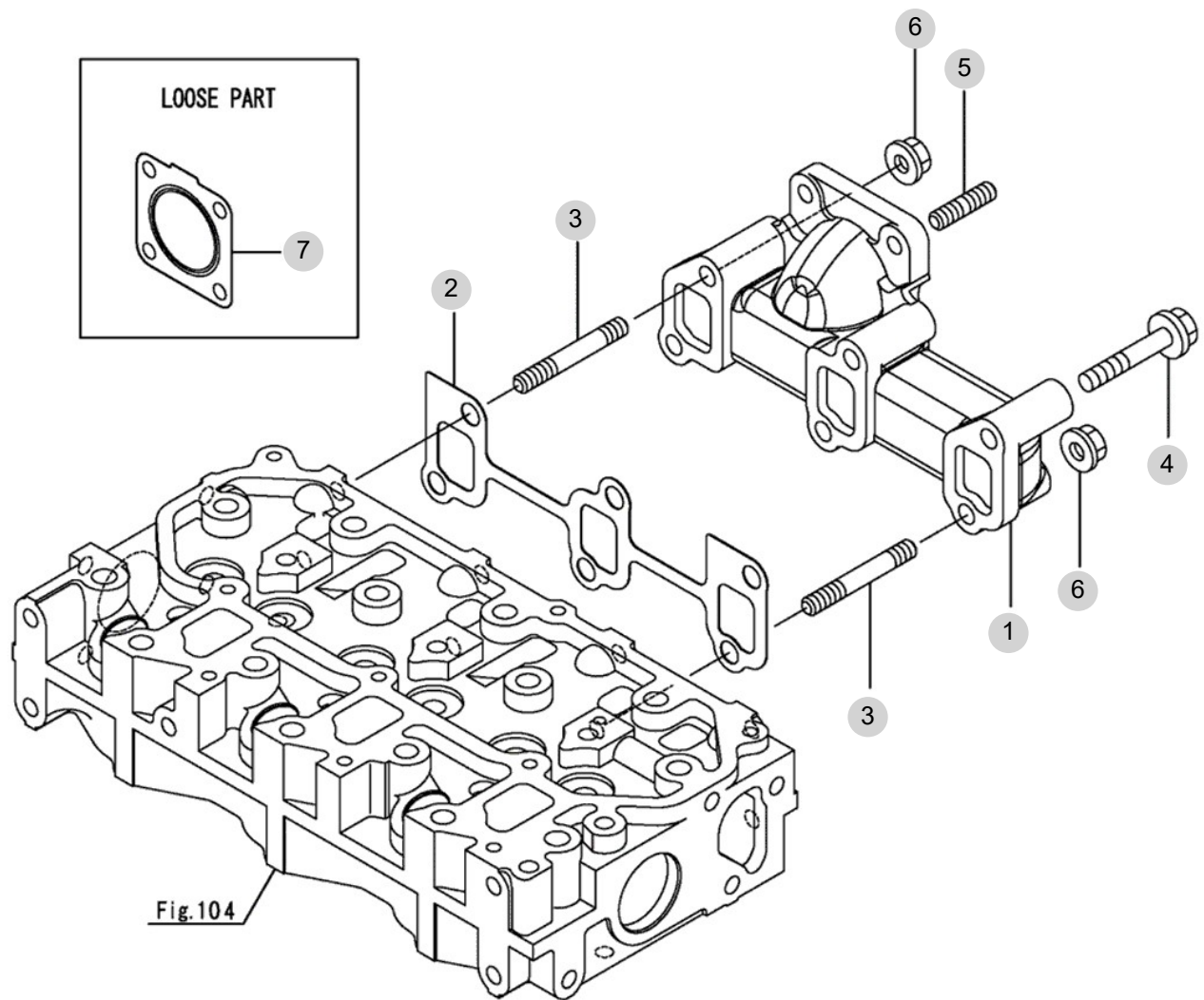
FIG 105

EXHAUST MANIFOLD

년/월  
Year/Month

T255NHEU

2022-12



NOTE





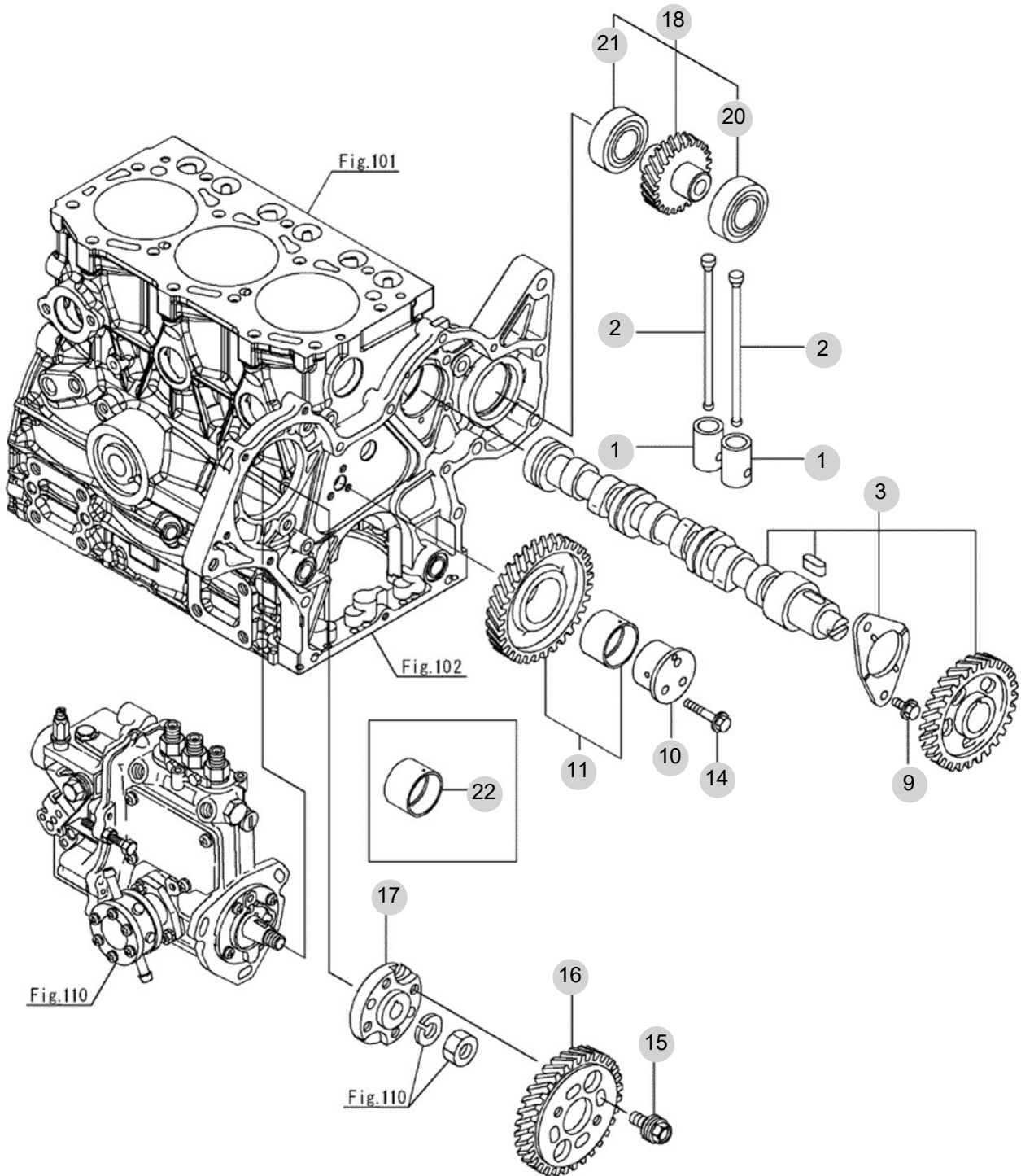
FIG 106

CAMSHAFT & DRIVING GEAR

년/월  
Year/Month

2022-12

T255NHEU



NOTE



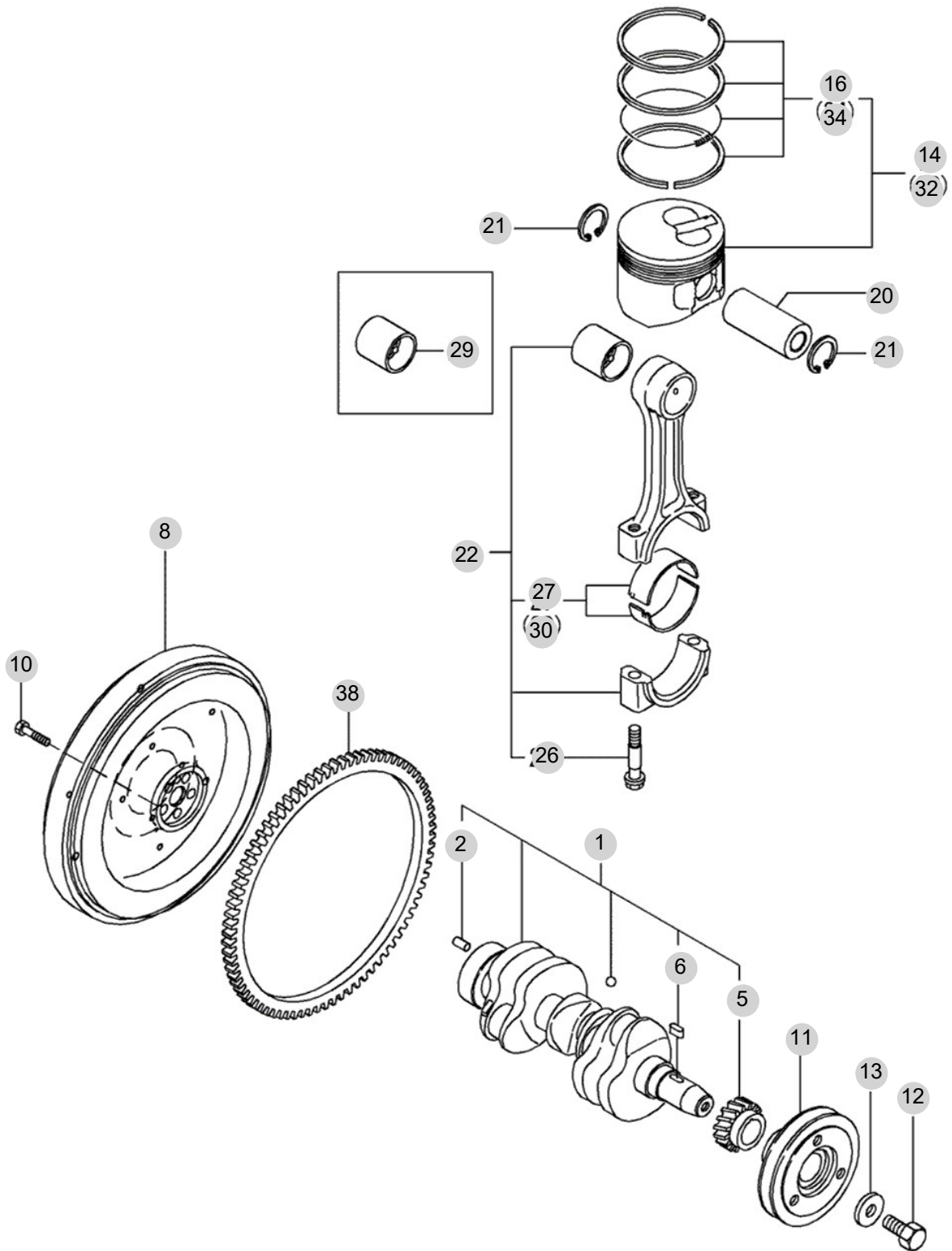
FIG 107

CRANKSHAFT & PISTON

년/월  
Year/Month

T255NHEU

2022-12



NOTE

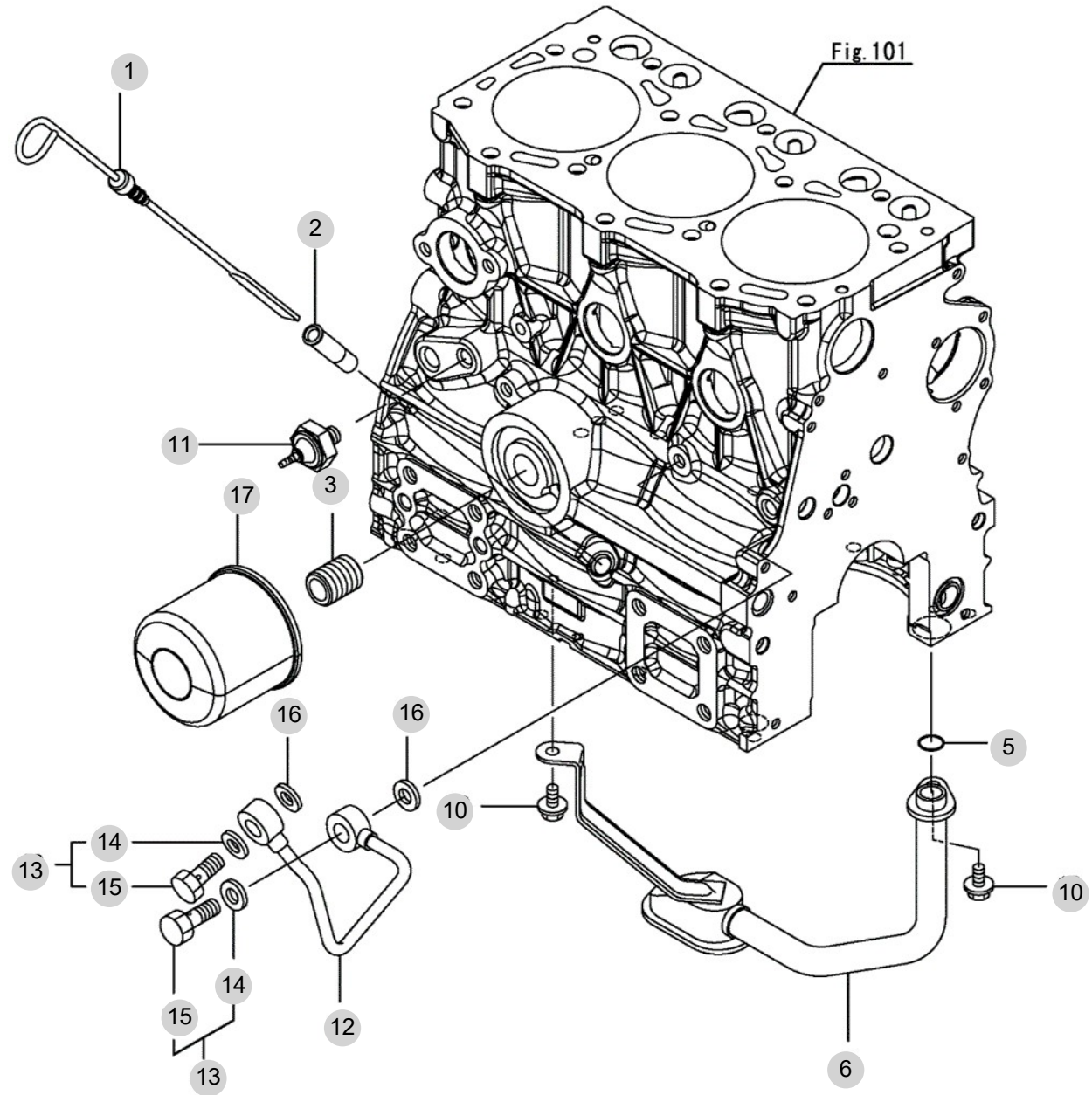


FIG 108

LUB.OIL SYSTEM

년/월  
Year/Month

2022-12



NOTE

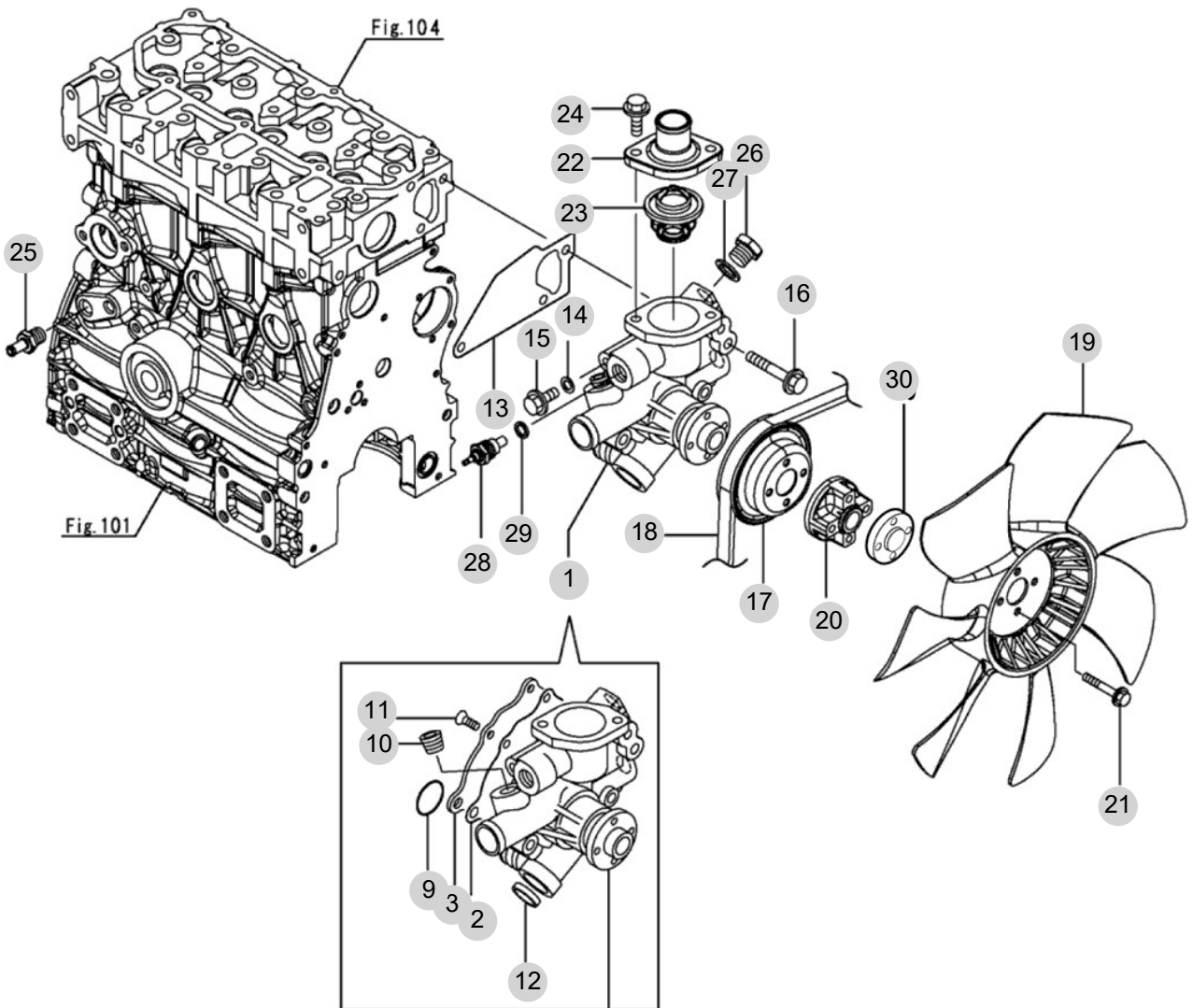


FIG 109

COOLING WATER SYSTEM

년/월  
Year/Month

2022-12



NOTE



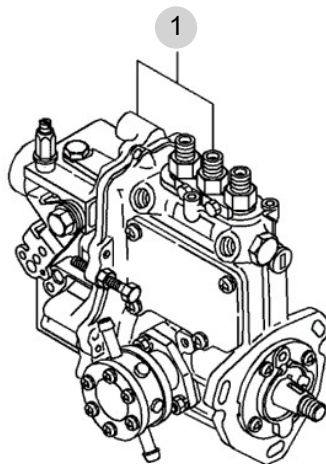
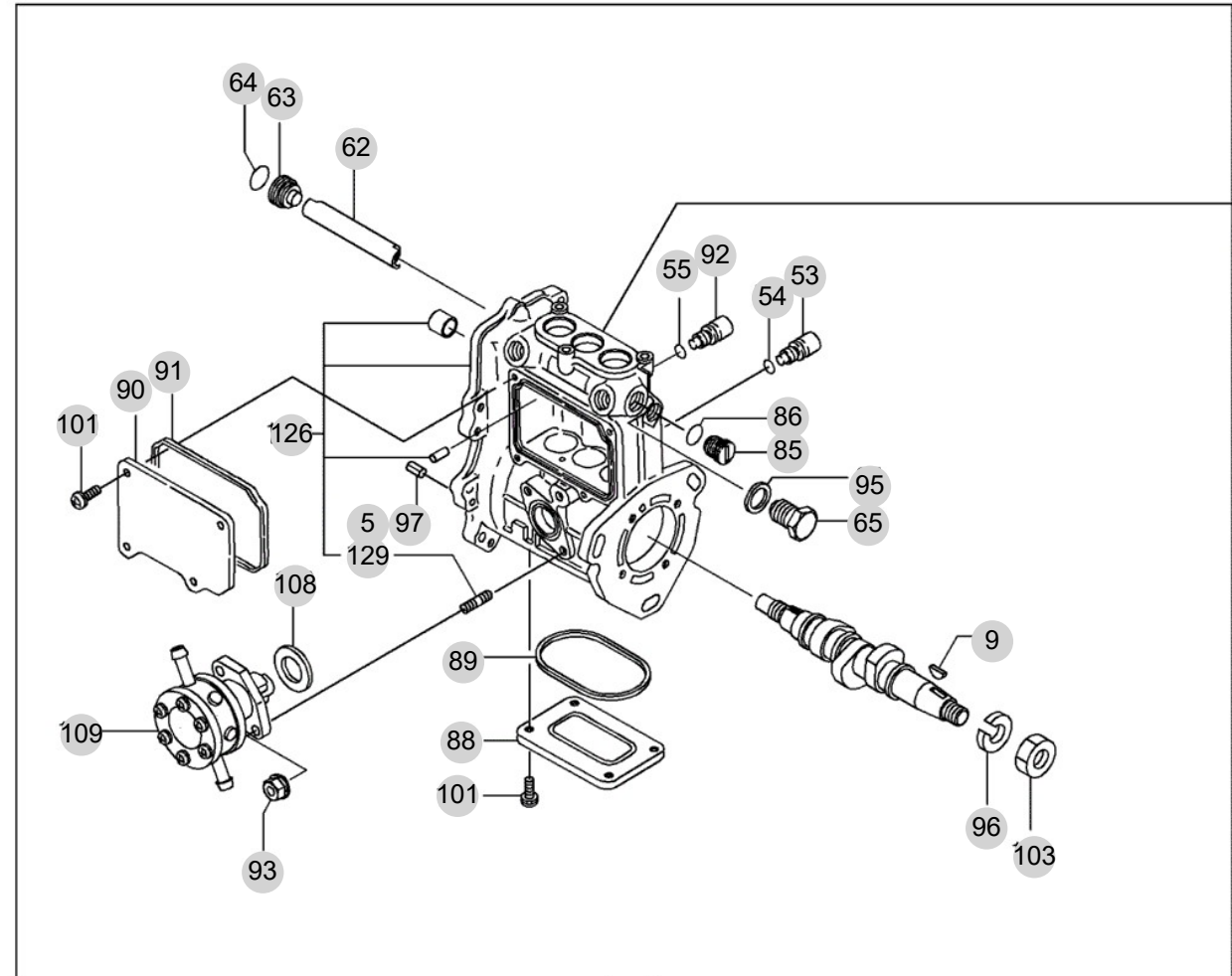


FIG 110

FUEL INJECTION PUMP

년/월  
Year/Month

2022-12



NOTE



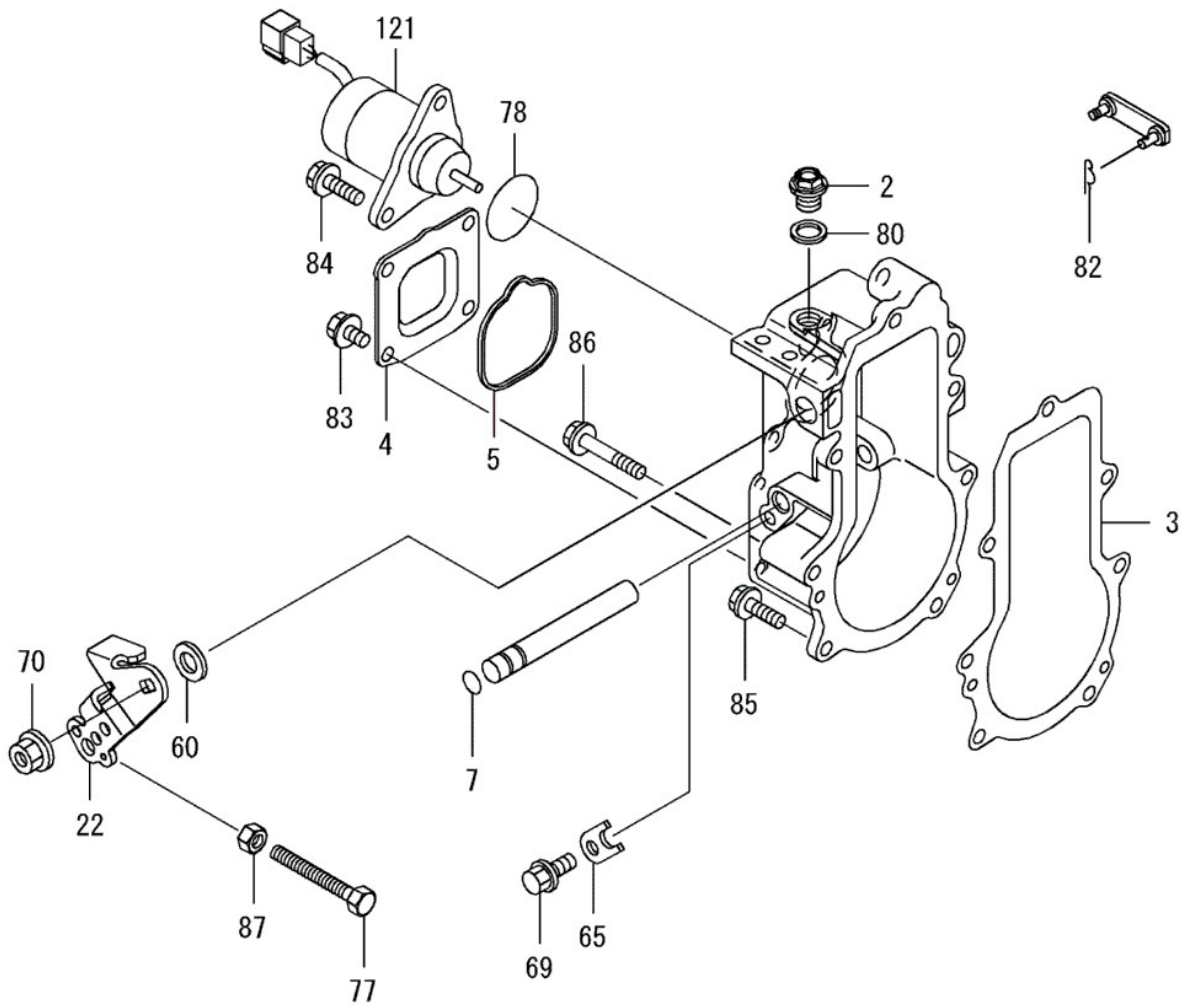
FIG 111

GOVERNOR

년/월  
Year/Month

2022-12

T255NHEU



NOTE



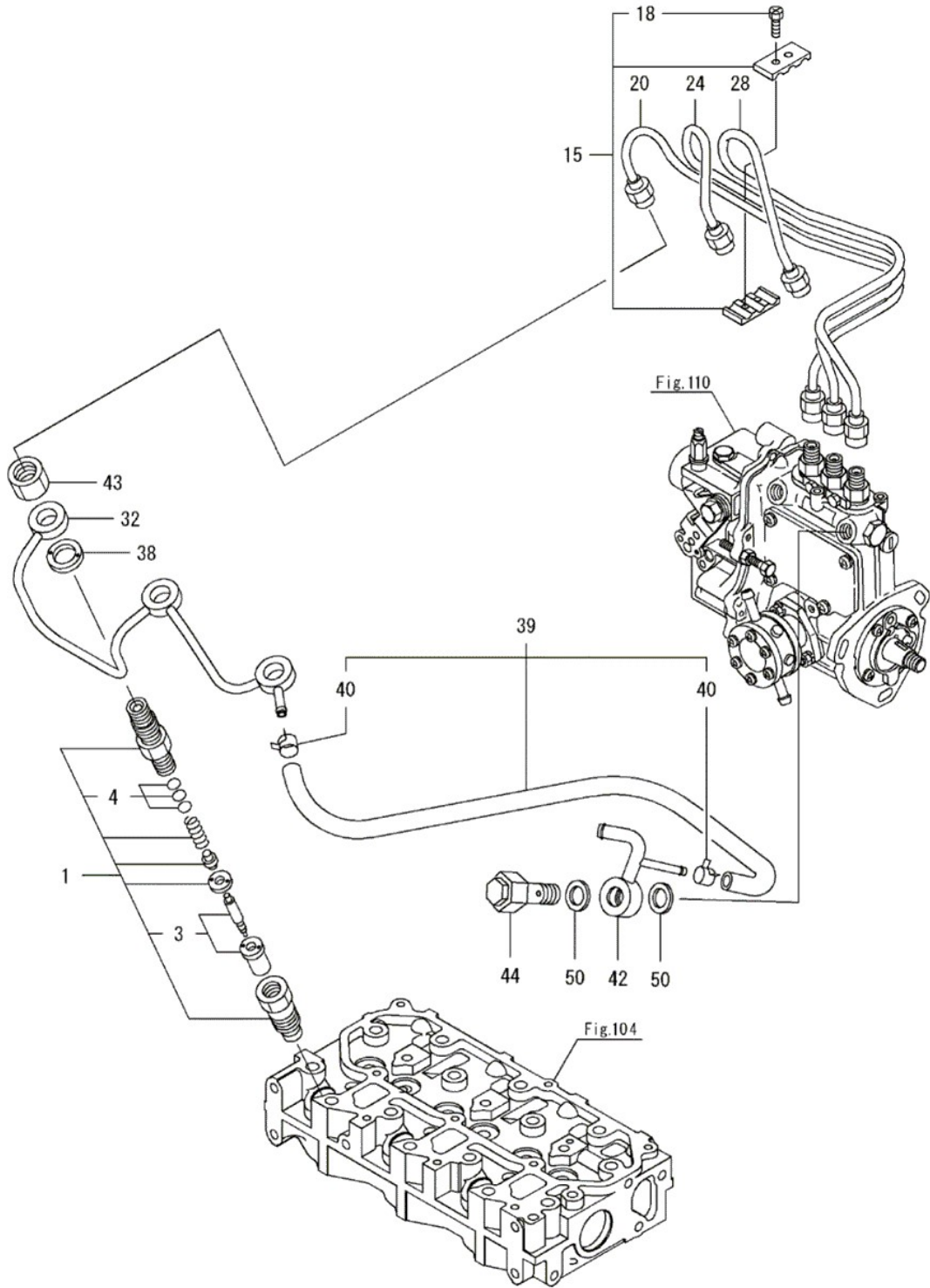
FIG 112

T255NHEU

FUEL INJECTION VALVE

년/월  
Year/Month

2022-12



NOTE



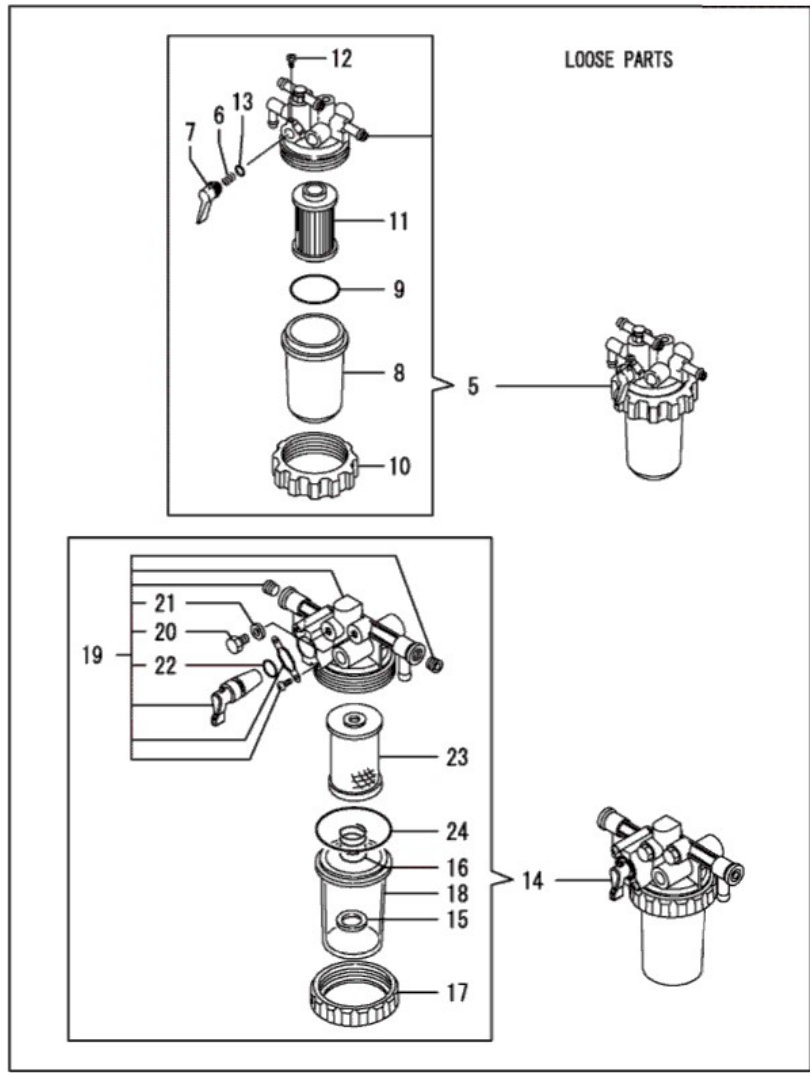
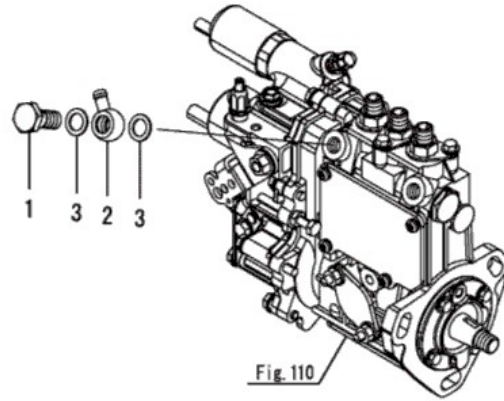
FIG 113

T255NHEU

FUEL FILTER

년/월  
Year/Month

2022-12



NOTE





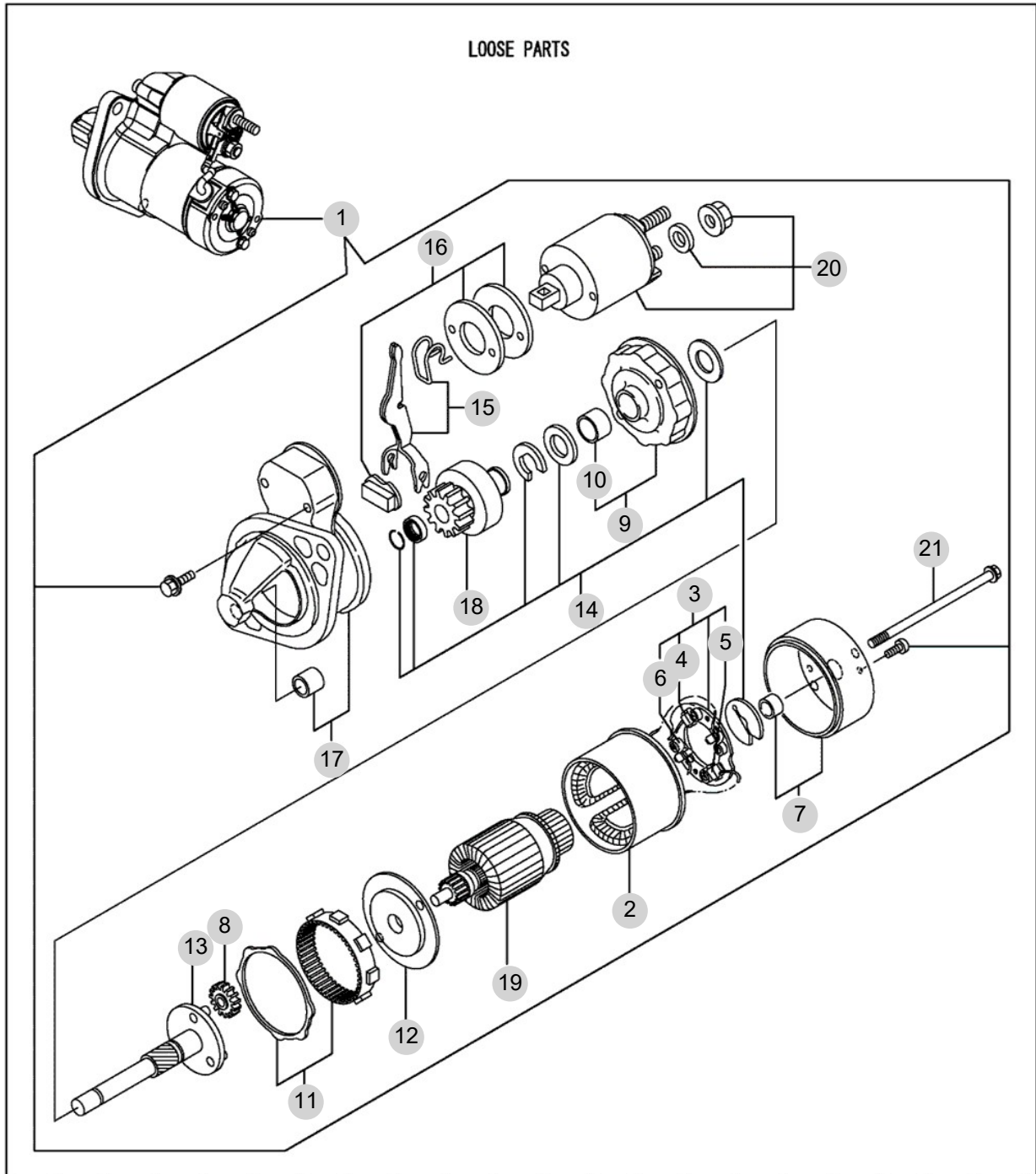
FIG 114

STARTING MOTOR

년/월  
Year/Month

T255NHEU

2022-12



NOTE



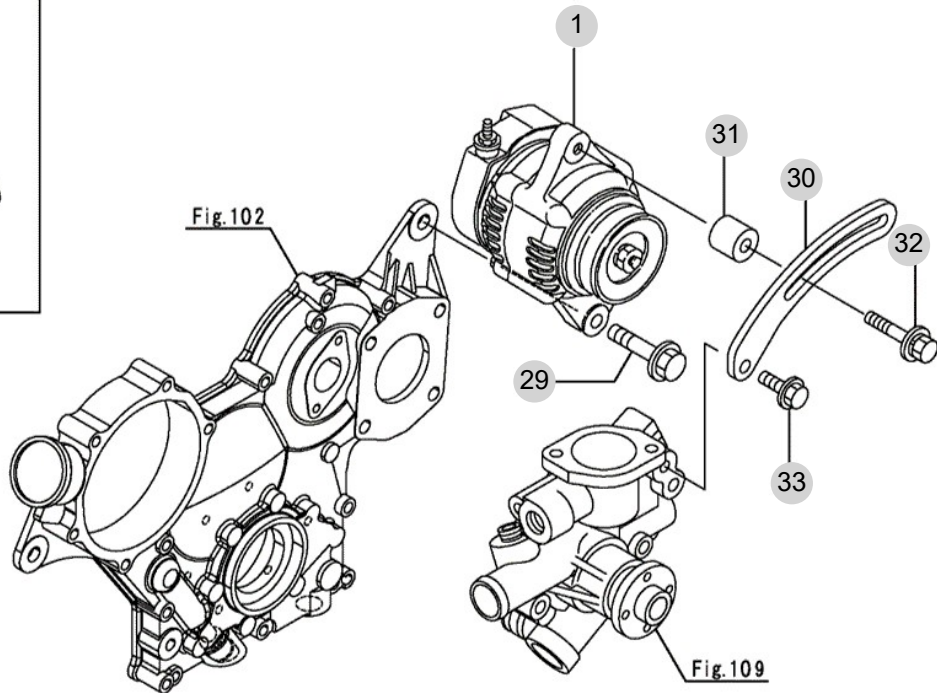
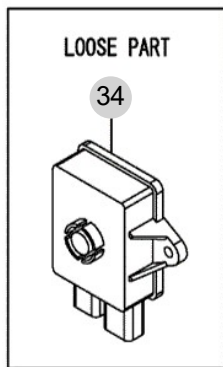
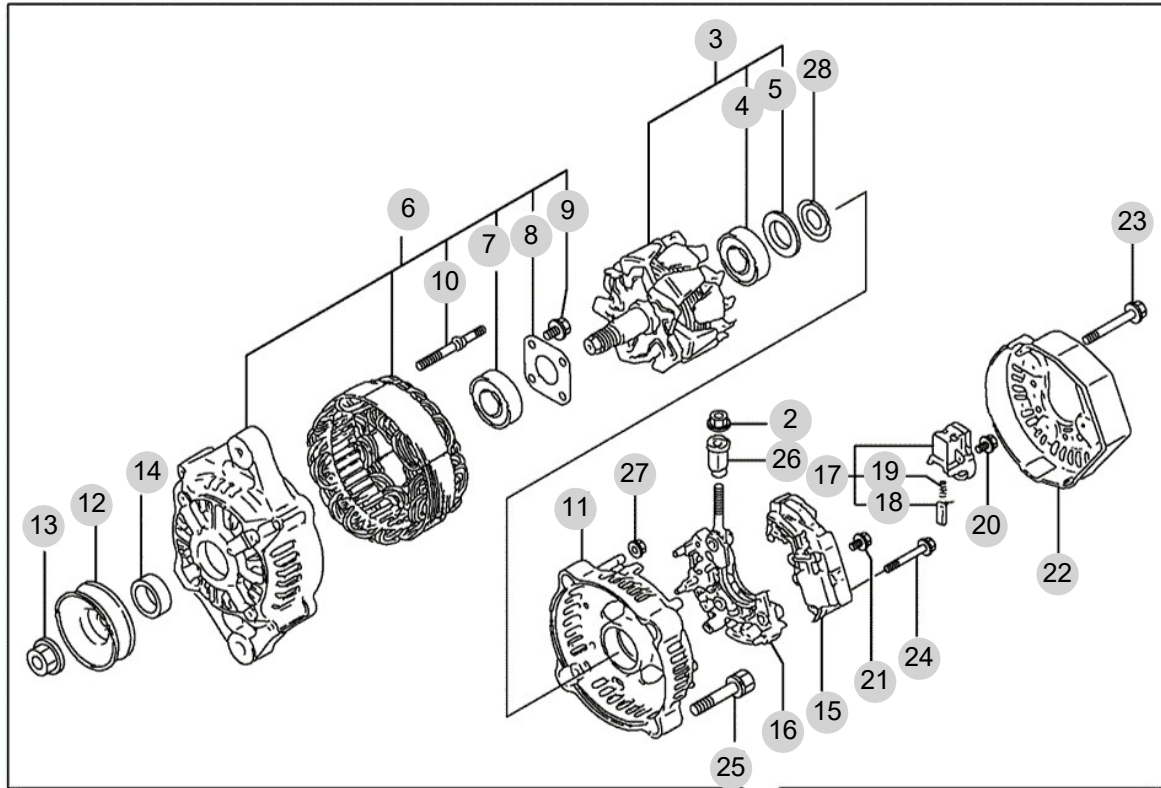
FIG 115

GENERATOR

년/월  
Year/Month

2022-12

T255NHEU



NOTE



## 2. 엔진보기품 PART NO. T2

FIG 201 AIR CLEANER	47
FIG 202 RADIATOR	49
FIG 203 MUFFLER	51
FIG 204 FUEL TANK & FUEL LINE	53
FIG 205 ACCELERATOR	55
FIG 206 FUEL FILTER	57
FIG 207 ENGINE MOUNTING	59

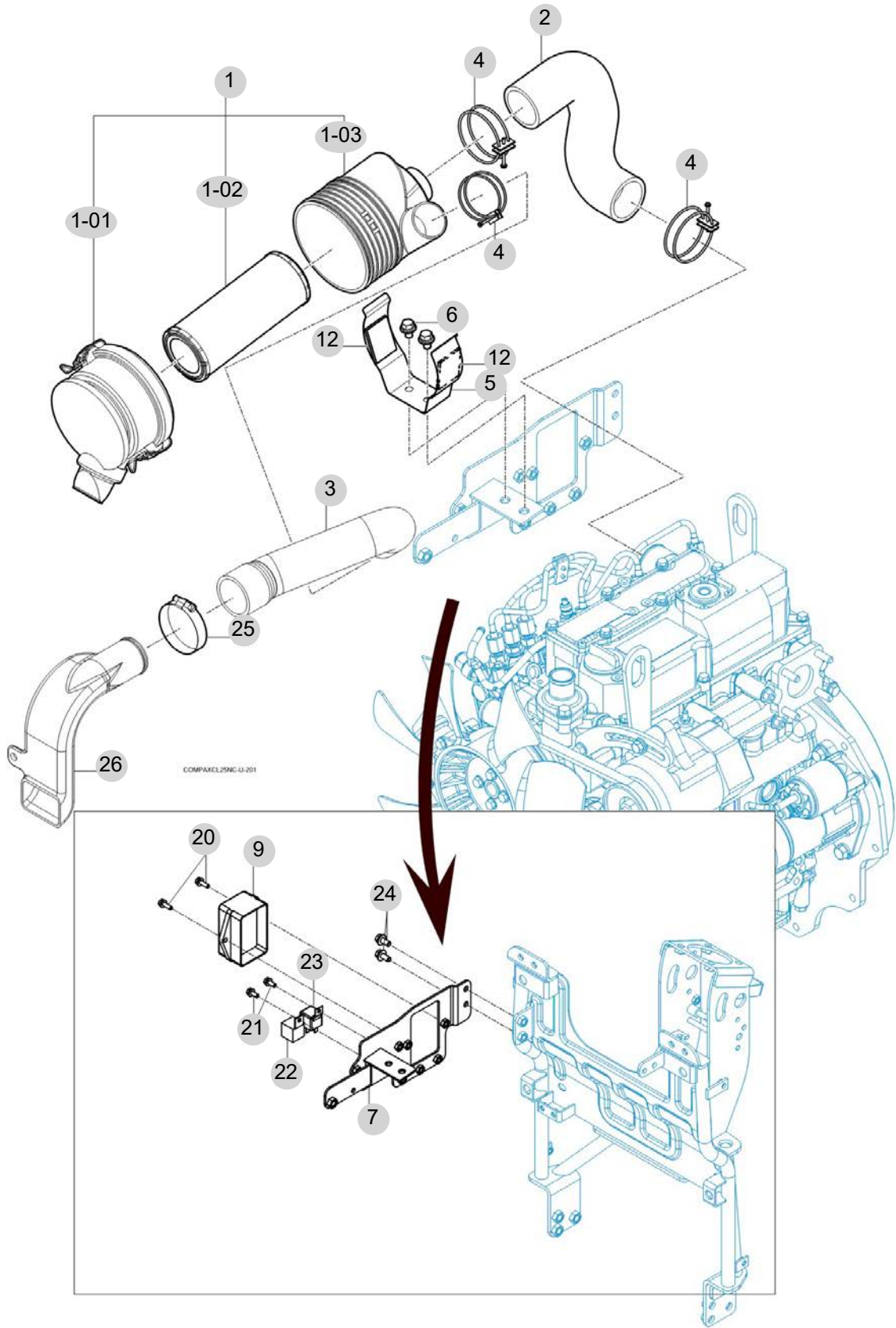
FIG 201

AIR CLEANER

년/월  
Year/Month

2022-12

T255NHEU



NOTE





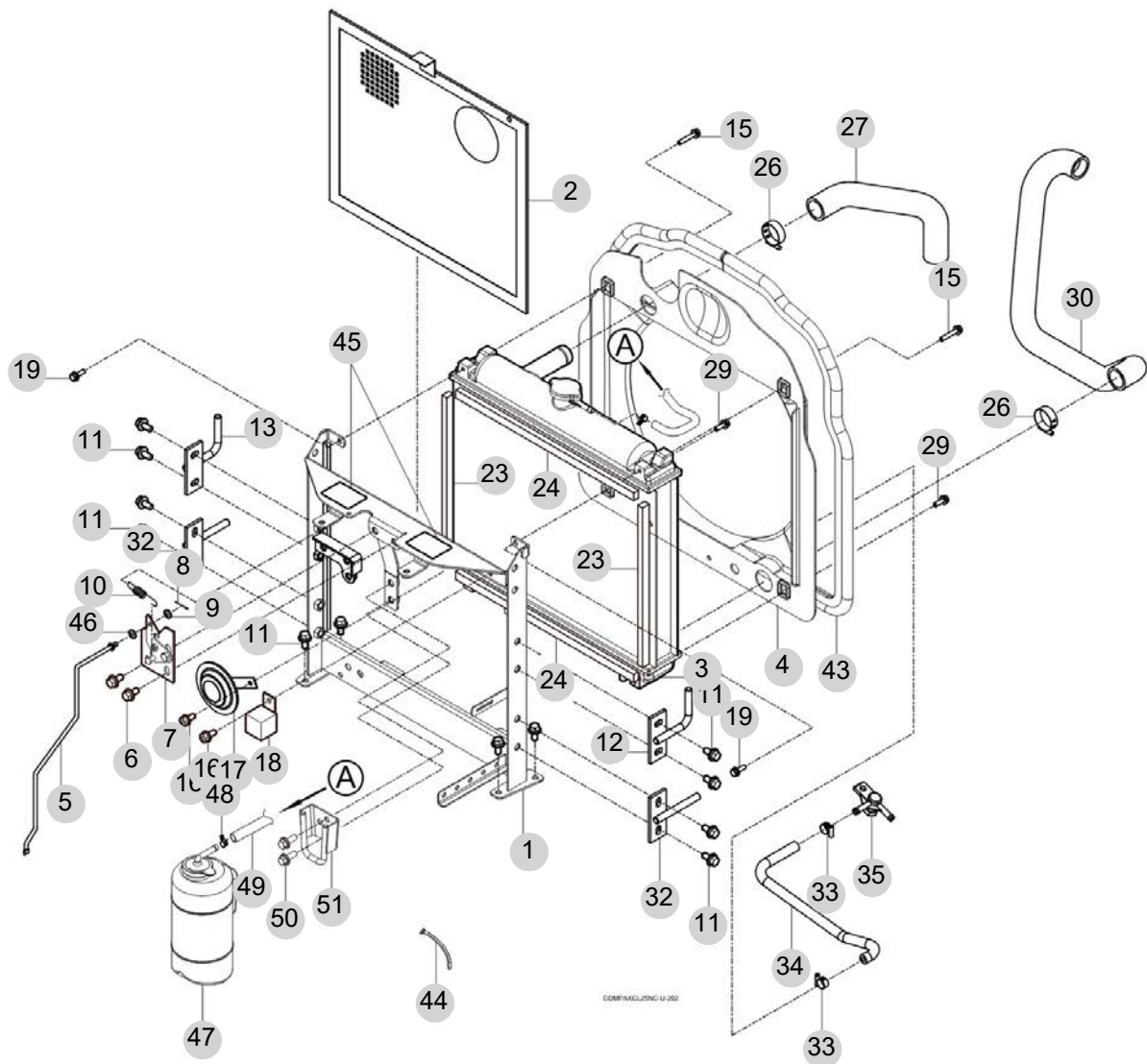
FIG 202

T255NHEU

RADIATOR

년/월  
Year/Month

2022-12



COMPANCLONG-U-202

NOTE

FIG 202		RADIATOR						년/월 Year/Month
T255NHEU		2022-12						
KEY NO	PART NO	DESCRIPTION	SPEC	QTY	REPAIR	EFFECTIVE DATE	REMARKS	
202	1	11116081200GB	프런트 프레임 COMP					
202	2	11101042310GB	네트(라디에이터) COMP					
202	3	11111042000	라디에이터 COMP					
202	4	11111050050	슈라우드					
202	5	11126024300		1				
202	5	11126024301	로드(열림) COMP					
202	6	V2183608020	소형육각볼트보통(SP)	M8X20	2			
202	7	11106024501	후드 스테이 SUB		1			
202	8	V5001925020	핀		1			
202	9	V4111600060	평와서	M6	1			
202	10	11106020010	인장스프링(40)		1			
202	11	V2183608020	소형육각볼트보통(SP)	M8X20	14			
202	12	11116013501	핀(전/상/좌) COMP		1			
202	13	11116013601	핀(전/상/우) COMP		1			
202	15	V2193606020	육각볼트(SPL)	M6X20	2			
202	16	V2323606016	십자홈육각볼트(SP)	M6X16	2			
202	17	13266212003	흔		1			
202	18	17686641110	예열릴레이		1			
202	19	V2323606016	십자홈육각볼트(SP)	M6X16	2			
202	23	11101042390	스폰지(314)		2			
202	24	11101042350	스폰지(410)		2			
202	26	14445100080	밴드 클램프 40		2			
202	27	11111040011	라디에이터 호스(인렛)		1			
202	29	V2193606020	육각볼트(SPL)	M6X20	2			
202	30	11111040110	라디에이터 호스(아웃렛)		1			
202	32	11116013700	핀 COMP(하)		2			
202	33	14501410050	밴드 클램프 16		2			
202	34	11111040091	라디에이터 연결호스		1			
202	35	15601041000	콘넥터 ASSY		1			
202	43	11201050080	인슐레이터 , 라디에이터		1			
202	44	15606950150	케이블타이(370)		2			
202	45	13016400010	씰 , 배터리 브래킷		2			
202	46	V7231015006	O링(S)		1			
202	47	16003302101	탱크(리저브)ASSY		1			
202	48	14501410050	밴드 클램프 16		2			
202	49	17995010150	호스(500)		1			
202	50	V2183608020	소형육각볼트보통(SP)	M8X20	2			
202	51	36753302201GB	홀더(탱크/리저브)COMP		1			
NOTE								

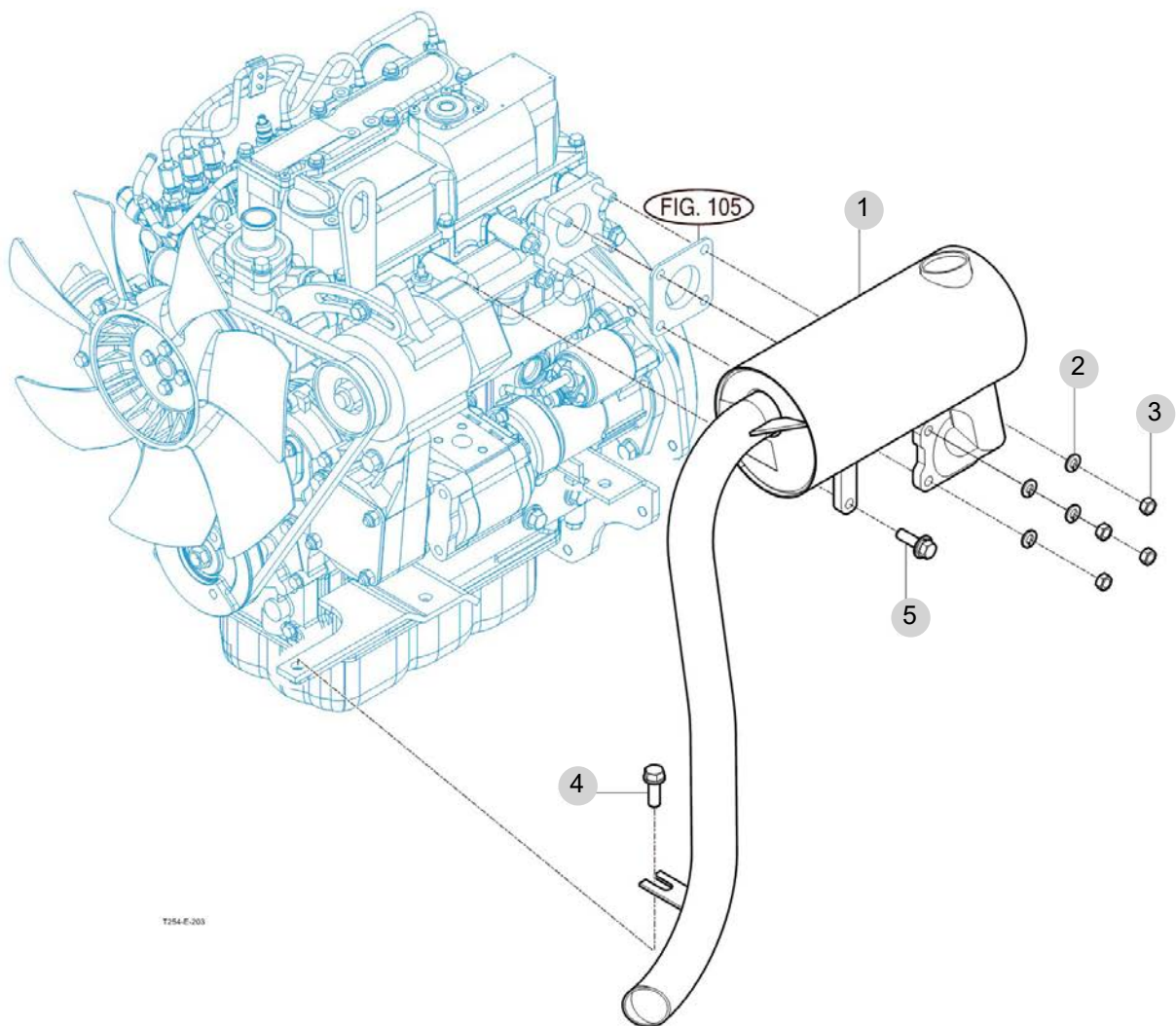
FIG 203

T255NHEU

MUFFLER

년/월  
Year/Month

2022-12



T254-E-203

NOTE



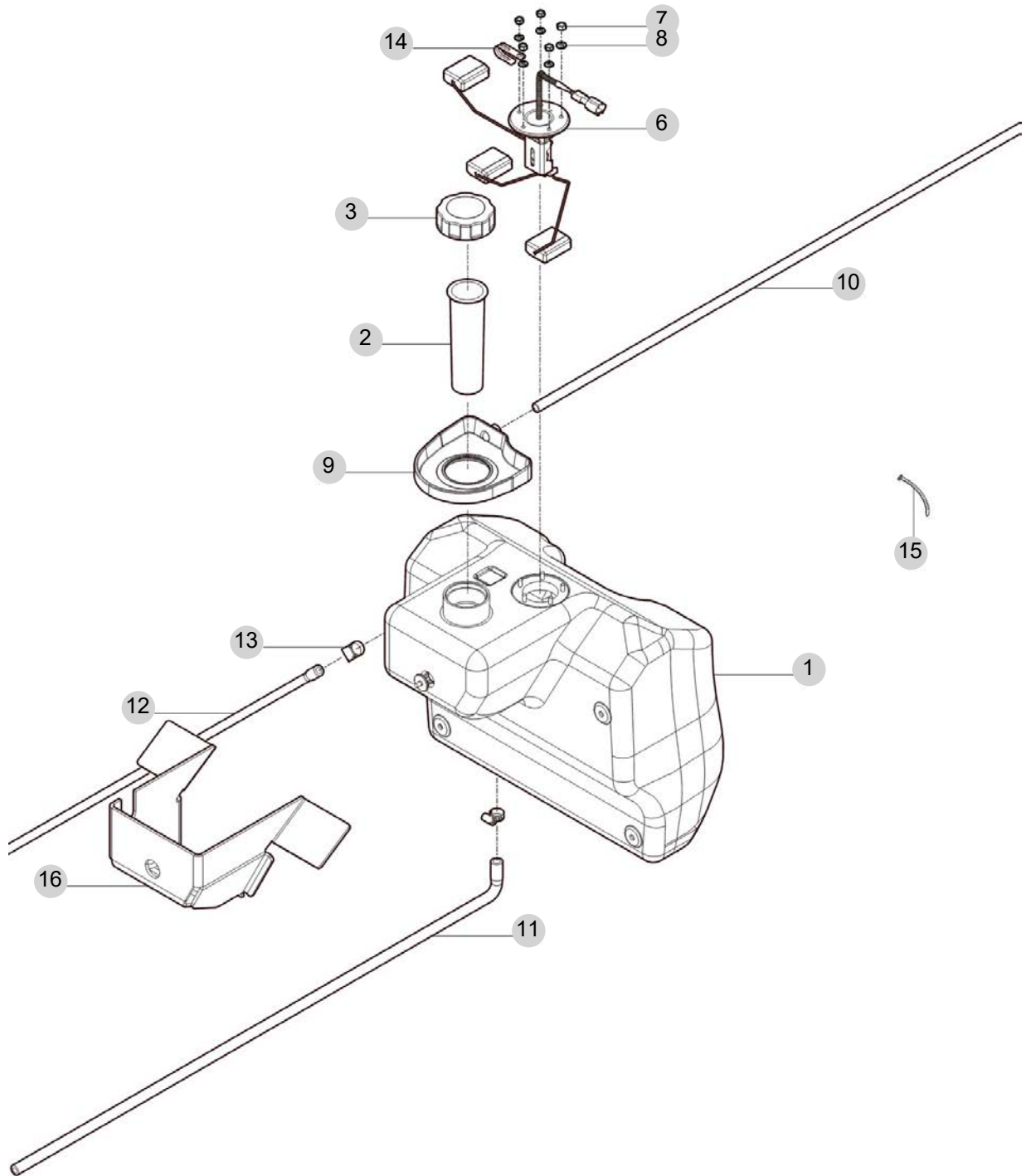
FIG 204

T255NHEU

FUEL TANK & FUEL LINE

년/월  
Year/Month

2022-12



NOTE



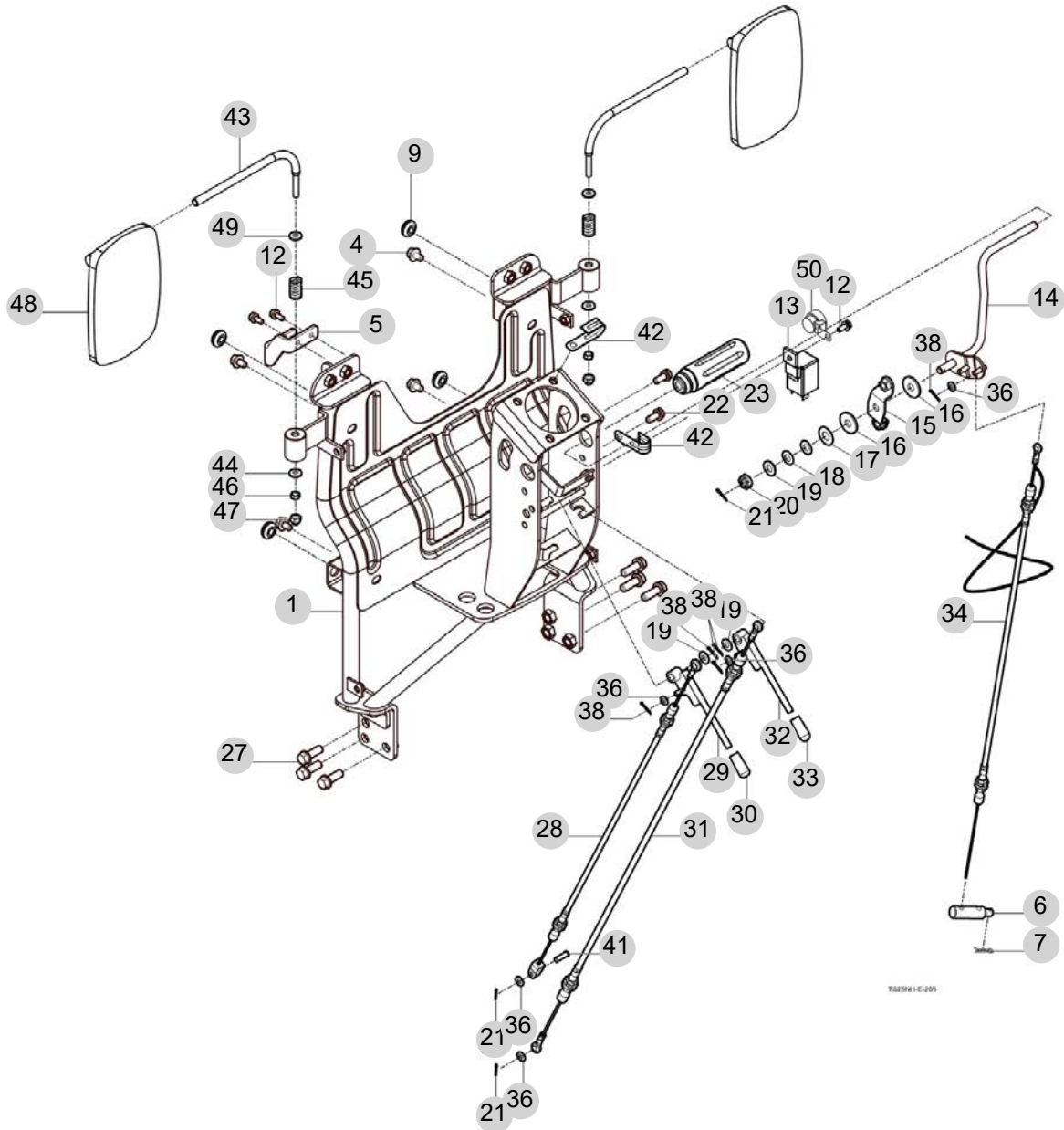
FIG 205

ACCELERATOR

년/월  
Year/Month

2022-12

T255NHEU



NOTE

<b>FIG 205</b>  T255NHEU	<b>ACCELERATOR</b>						년/월 Year/Month

KEY NO		PART NO	DESCRIPTION	SPEC	QTY	REPAIR	EFFECTIVE DATE	REMARKS
205	1	11176302000GB	패널 COMP , 대시		1			
205	4	V2183608016	소형육각볼트보통(SP)	M8X16	4			
205	5	11116302380GB	고정 브래킷 , 케이블 ASSY		1			
205	6	11111162411	핀 , 액셀레이터		1			
205	7	V5601600006	스냅핀		1			
205	7	21306010180	헤어핀(6)		1			
205	9	19026642010	그로맷(12X17X3.2)		4			
205	12	V2123606016	육각볼트(SP)	M6X16	3			
205	13	13606642401	플래셔SET 3p(은색)		1			
205	14	11171162500GB	레버 COMP , 바/10		1			
205	15	11101162600	브래킷 COMP , 액셀레이터		1			
205	16	15965120021	라이닝(11X30X03)		2			
205	17	36104400180	소입폴리핀 와셔		1			
205	18	14527060010	접시스프링와셔/M10		2			
205	19	V4111600100	평와셔	M10	3			
205	20	V3232600100	소형흡불이육각너트저형	M10	1			
205	21	V5001920015	분할핀	2.0X15	3			
205	22	V2173608020	소형육각볼트보통(S)	M8X20	2			
205	23	17681170050	그림(리버스)		1			
205	27	V2173610030	소형육각볼트보통(S)	M10X30	6			
205	28	11103286300	주차브레이크 케이블 ASSY		1			
205	29	11106301000GB	레버 COMP , 주차		1			
205	30	14445070030	레버손잡이		1			
205	31	11106304101	크루즈 케이블 ASSY		1			
205	32	11106304000GB	레버 COMP , 크루즈		1			
205	33	14445070030	레버손잡이		1			
205	34	11111162100	스로틀 케이블 ASSY		1			
205	36	V4111600060	평와셔	M6	5			
205	38	V5001920020	분할핀	2.0X20	5			
205	41	15601160083	핀 (06X16)		1			
205	42	14256210040	하니스클램프(9)		2			
205	43	11126313011GB	스테이 , 사이드 미러		2			
205	44	11126313020	와셔(10X22X3)		2			
205	45	19027732040	백미러스프링		2			
205	46	V3013600100	육각너트보통2종		2			
205	47	V3402600100	육각캡너트		2			
205	48	15186313000	미러ASSY		2			
205	49	V4111600100	평와셔	M10	2			
205	50	16586652000	부저조합		1			

**NOTE**

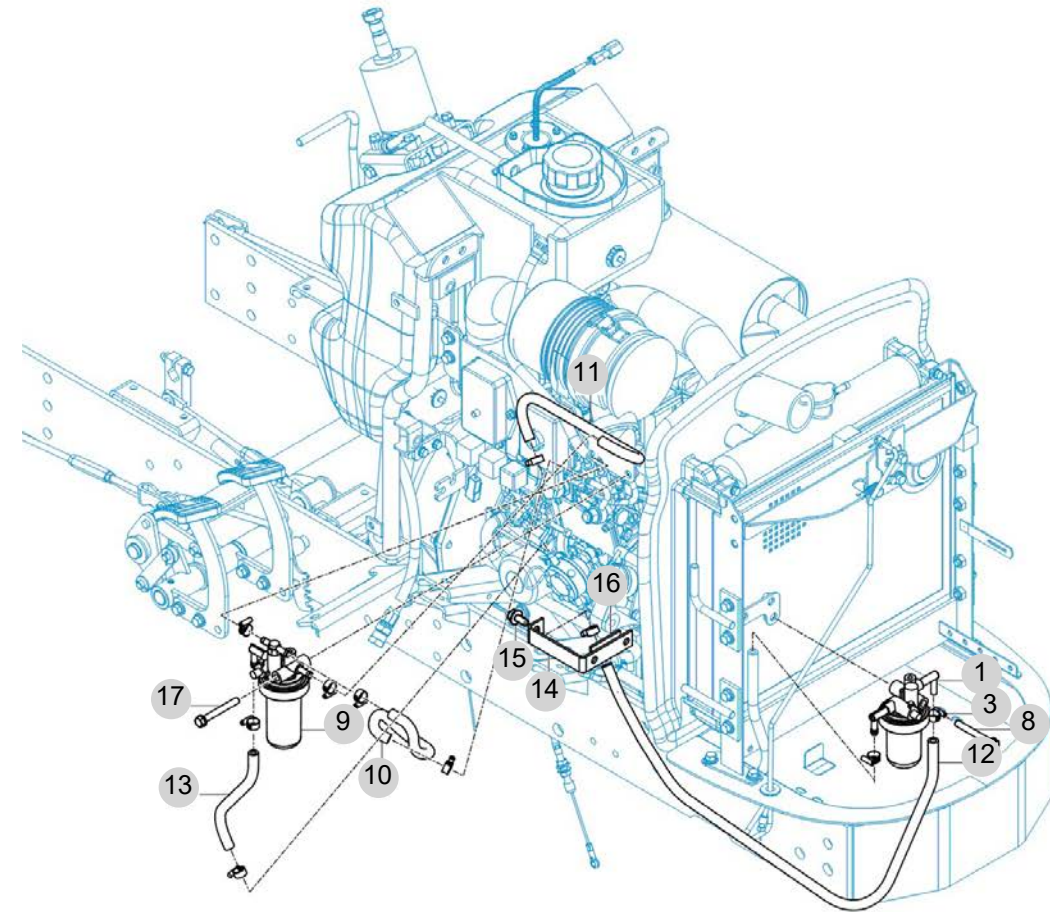


FIG 206

FUEL FILTER

년/월  
Year/Month

2022-12



NOTE



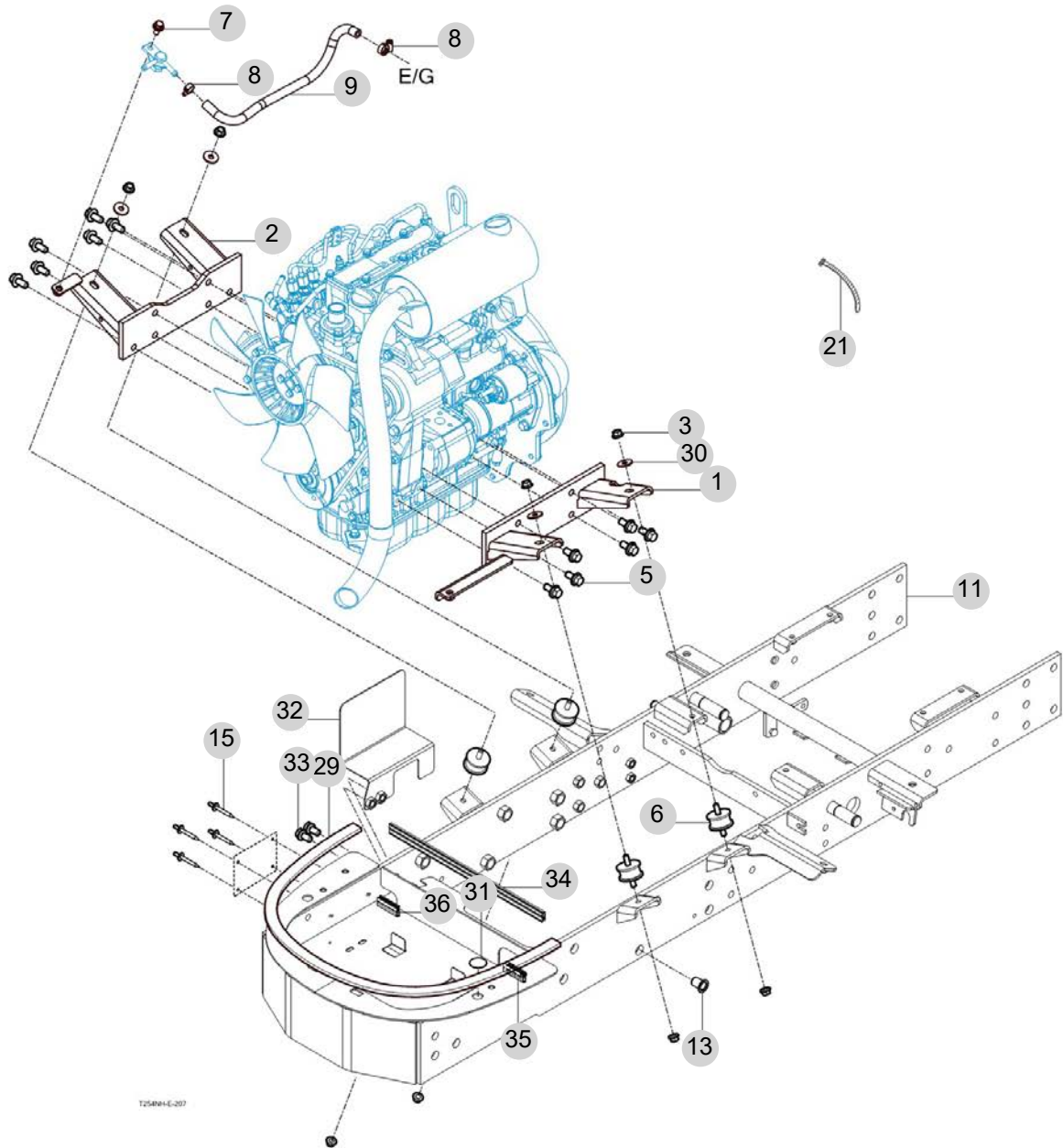
FIG 207

ENGINE MOUNTING

년/월  
Year/Month

2022-12

T255NHEU



NOTE



### 3. 클러치/브레이크/스티어링 PART NO. T3

FIG 301 FLYWHEEL COVER	62
FIG 302 BRAKE	64
FIG 303 BRAKE PEDAL & LINKAGE	66
FIG 304 SPEED CONTROL	68
FIG 305 DASH COVER	71
FIG 306 STEERING VALVE	73
FIG 307 STEERING CYLINDER	75
FIG 308 STEERING WHEEL	77
FIG 309 TIRE	79

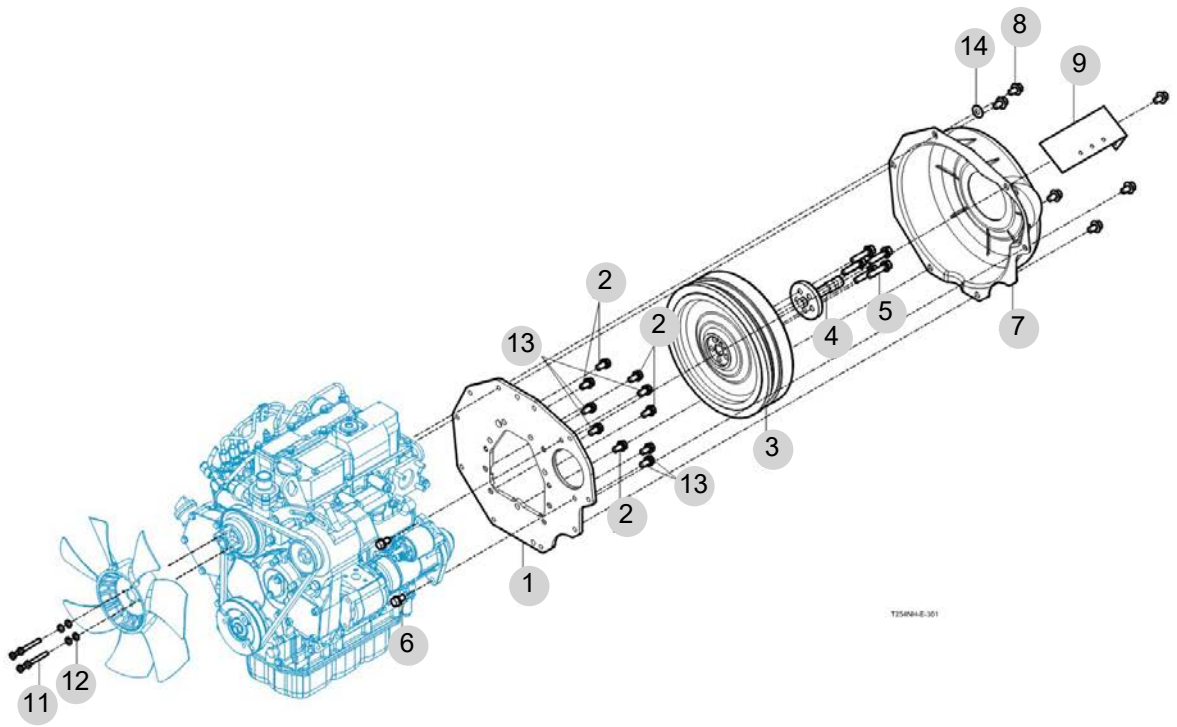
FIG 301

T255NHEU

FLYWHEEL COVER

년/월  
Year/Month

2022-12



NOTE



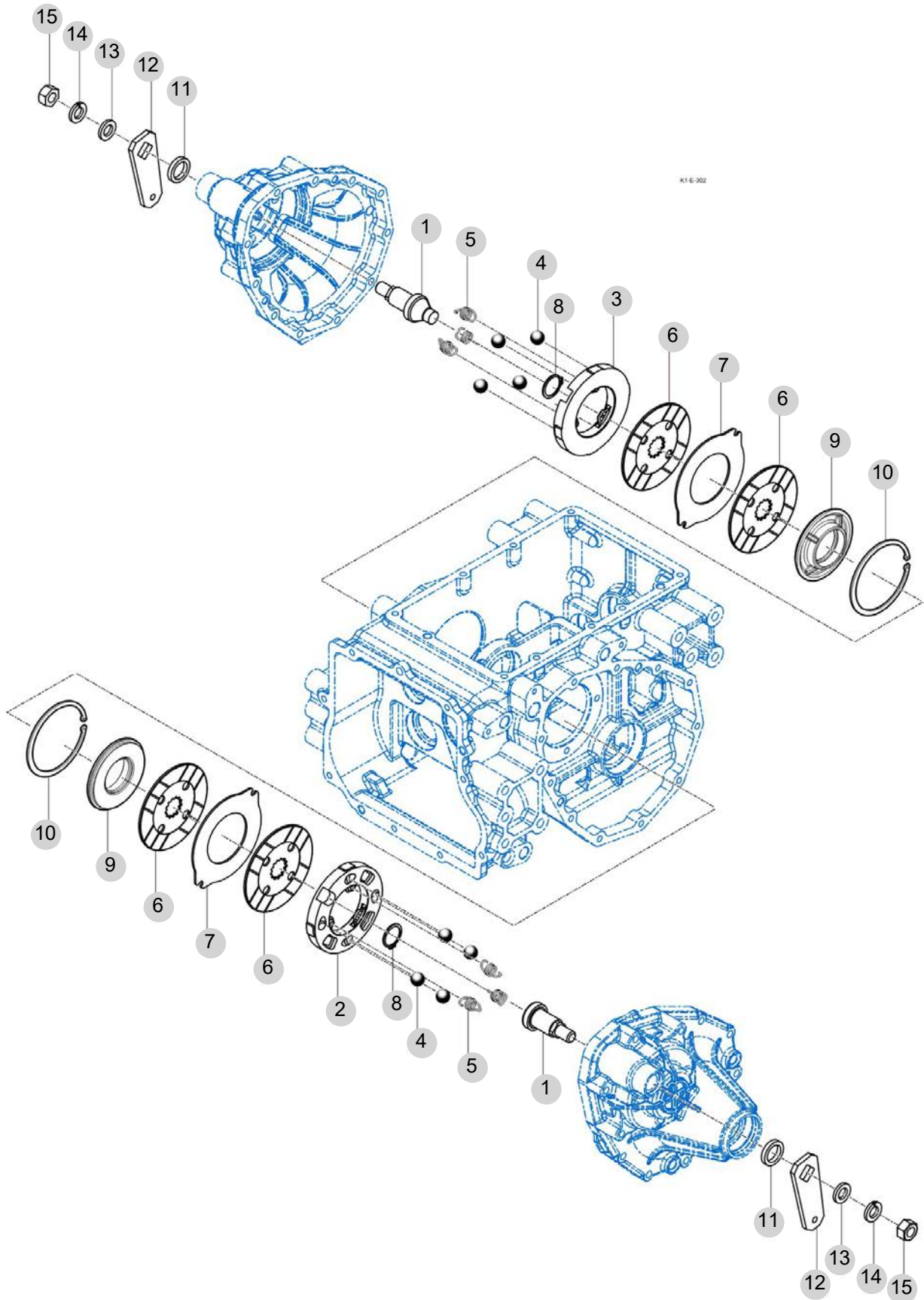
FIG 302

BRAKE

년/월  
Year/Month

T255NHEU

2022-12



NOTE



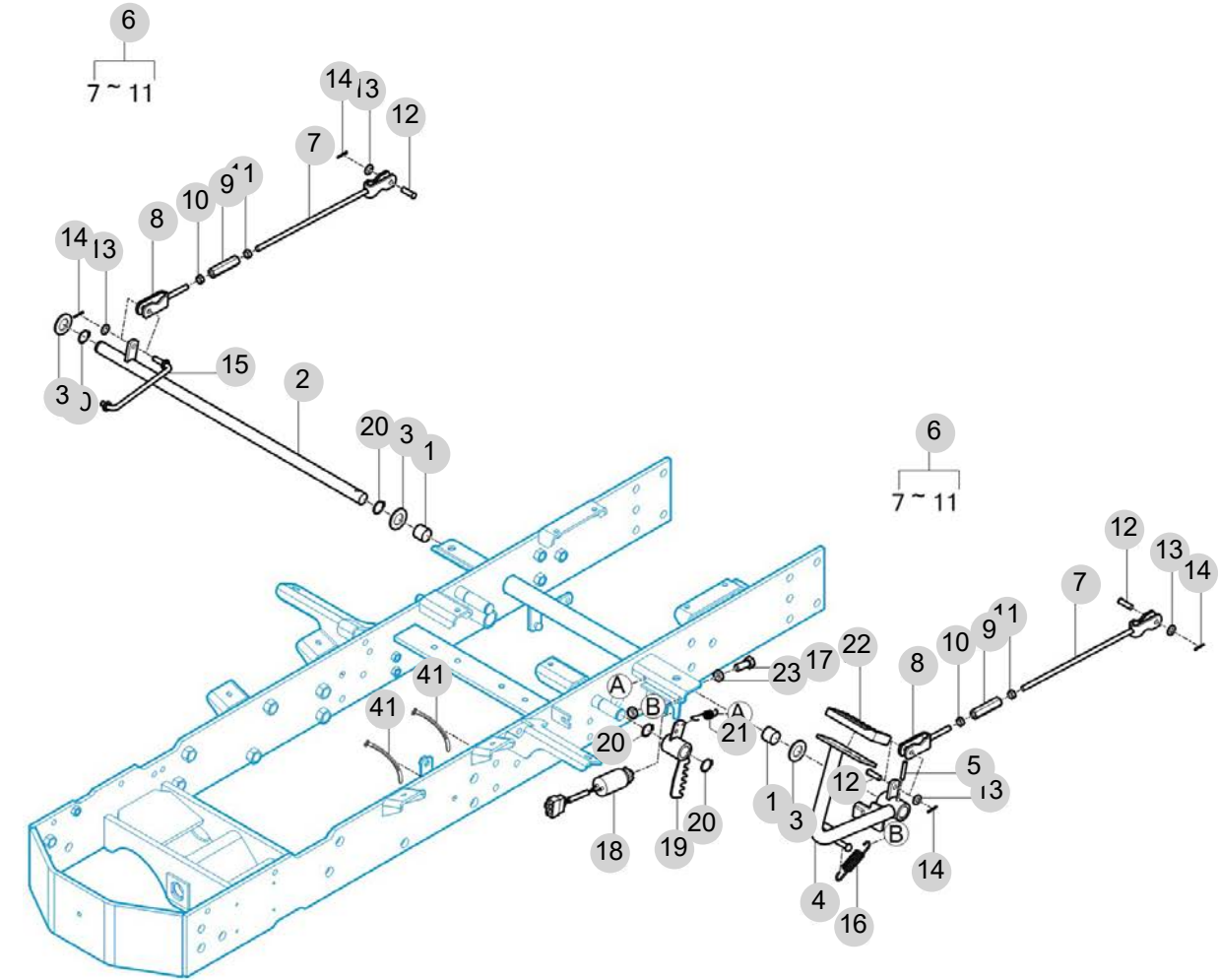
FIG 302 T255NHEU		BRAKE						년/월 Year/Month
								2022-12
KEY NO		PART NO	DESCRIPTION	SPEC	QTY	REPAIR	EFFECTIVE DATE	REMARKS
302	1	16703270011	캠		2			
302	2	13153270021M	브레이크 메탈(LH)		1			
302	3	13153270041M	브레이크 메탈(RH)		1			
302	4	V6802000019	볼	19/32	8			
302	5	16703272030	리턴스프링		6			
302	6	13153272100	디스크 플레이트		4			
302	7	13153270030	세파레이터 플레이트		2			
302	8	V7041400300	C형멈춤링(축용)	30	2			
302	9	11103270010M	브레이크 커버		2			
302	10	11103270040	구멍용 스냅링(140)	140	2			
302	11	V7441253506	오일실(D)	D253506	2			
302	12	11103270092	브레이크암		1			
302	12	11103270093	브레이크암		2			
302	13	V4111600160	평와셔	M16	2			
302	14	V4011600160	스프링와셔	M16	2			
302	15	V3343600160	소형육각너트가는2종	M16	2			
NOTE								

FIG 303

BRAKE PEDAL & LINKAGE

년/월  
Year/Month

2022-12



EMAX25KQ2NH-E-304

NOTE

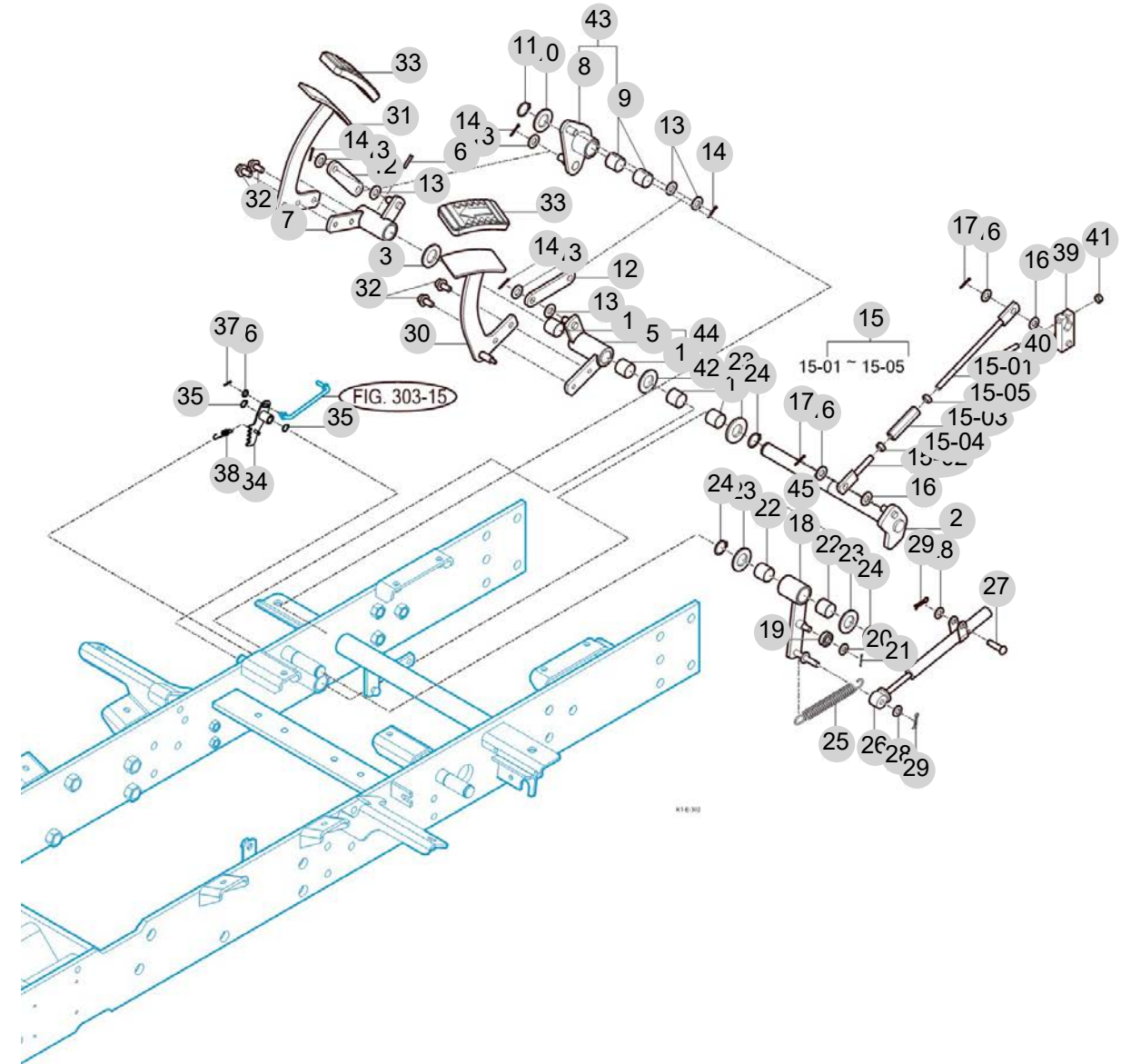


FIG 304

SPEED CONTROL

년/월  
Year/Month

2022-12



NOTE

FIG 304		SPEED CONTROL					년/월 Year/Month		
							2022-12		
T255NHEU		KEY NO	PART NO	DESCRIPTION	SPEC	QTY	REPAIR	EFFECTIVE DATE	REMARKS
304	1	11102320030	부시(20X23X20)			4			
304	2	11102323102	페달 샤프트 COMP			1			
304	3	V4111600200	평와셔	M20		1			
304	5	11102323201	전진 암 COMP			1			
304	6	V5801406032	스프링핀			1	C		
304	7	11102323301	후진 암 COMP			1			
304	8	11102323401	연결암 COMP			1			
304	9	11102320030	부시(20X23X20)			2			
304	10	V4111600200	평와셔	M20		1			
304	11	V7041400200	C형멈춤링(축용)	20		1			
304	12	11102320010	링크			2			
304	13	V4111600100	평와셔	M10		7			
304	14	V5001920015	분할핀	2.0X15		4			
304	15	11102325001	컨트롤 로드 ASSY			1			
304	15-01	11102325101	로드 COMP(LH)			1			
304	15-02	11102325201	로드 COMP(RH)			1			
304	15-03	16601220020	터언버클(M8,60)			1			
304	15-04	V3042600080	소형육각너트보통2종	M8		1			
304	15-05	15601320073	육각너트(SM,LH,M8)	M8/LH		1			
304	16	V4111600100	평와셔	M10		4			
304	17	V5001920015	분할핀	2.0X15		2			
304	18	11102324101	암 COMP(캠)			1			
304	19	14722310060	볼베어링(608DD)	608DD		1			
304	20	V4111600080	평와셔			1			
304	21	V5001920015	분할핀	2.0X15		1			
304	22	11102320030	부시(20X23X20)			2			
304	23	V4111600200	평와셔	M20		3			
304	24	V7041400200	C형멈춤링(축용)	20		3			
304	25	14722310033	스프링(리턴)			1			
304	26	11102321000	오일 댐퍼(110)			1			
304	27	14043120060	요오크핀 (A)			1			
304	28	V4111600080	평와셔			2			
304	29	V5601600008	스냅핀			2			
304	30	11102322400GB	전진 페달 COMP			1			
304	31	11102322500GB	후진 페달 COMP			1			
304	32	V2183608020	소형육각볼트보통(SP)	M8X20		4			
304	33	14722312730	패드			2			
304	34	11102326201	크루즈 래칫 COMP			1			
304	35	V7041400150	C형멈춤링(축용)			2			
304	36	V4111600080	평와셔			1			
304	37	V5001920015	분할핀	2.0X15		1			
304	38	11102320020	스프링(66)			1			
304	38	14143120020	텐션스프링 (53)			1			
304	39	11102322100	홀더 COMP			1			
304	40	V2173608045	소형육각볼트보통(S)	M8X45		1			
NOTE									



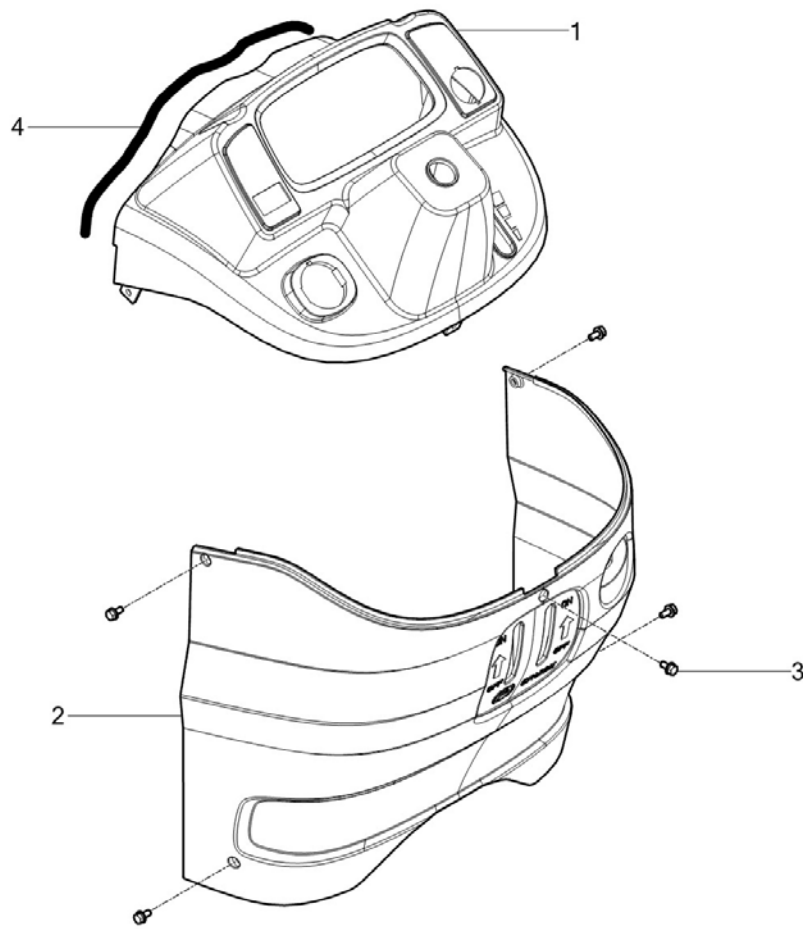
FIG 305

T255NHEU

DASH COVER

년/월  
Year/Month

2022-12



NOTE





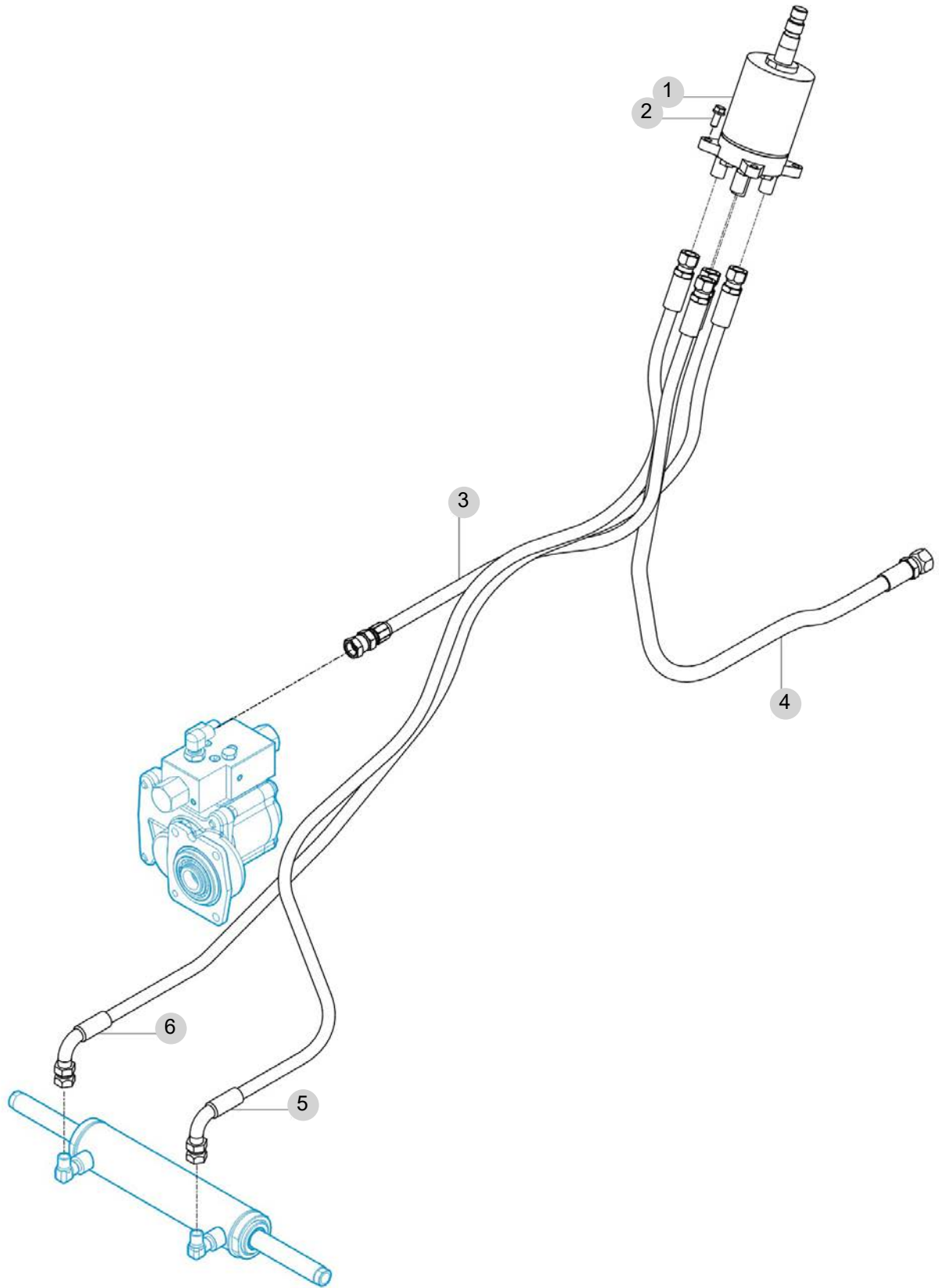
FIG 306

T255NHEU

STEERING VALVE

년/월  
Year/Month

2022-12



NOTE



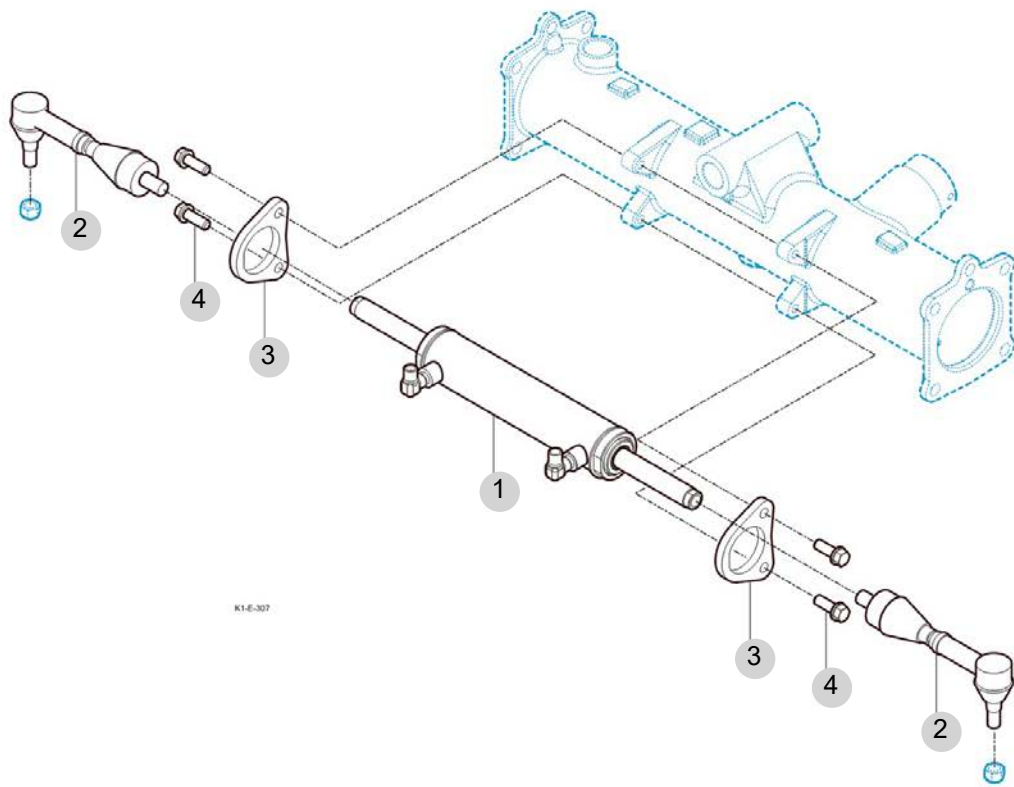
FIG 307

T255NHEU

STEERING CYLINDER

년/월  
Year/Month

2022-12



NOTE



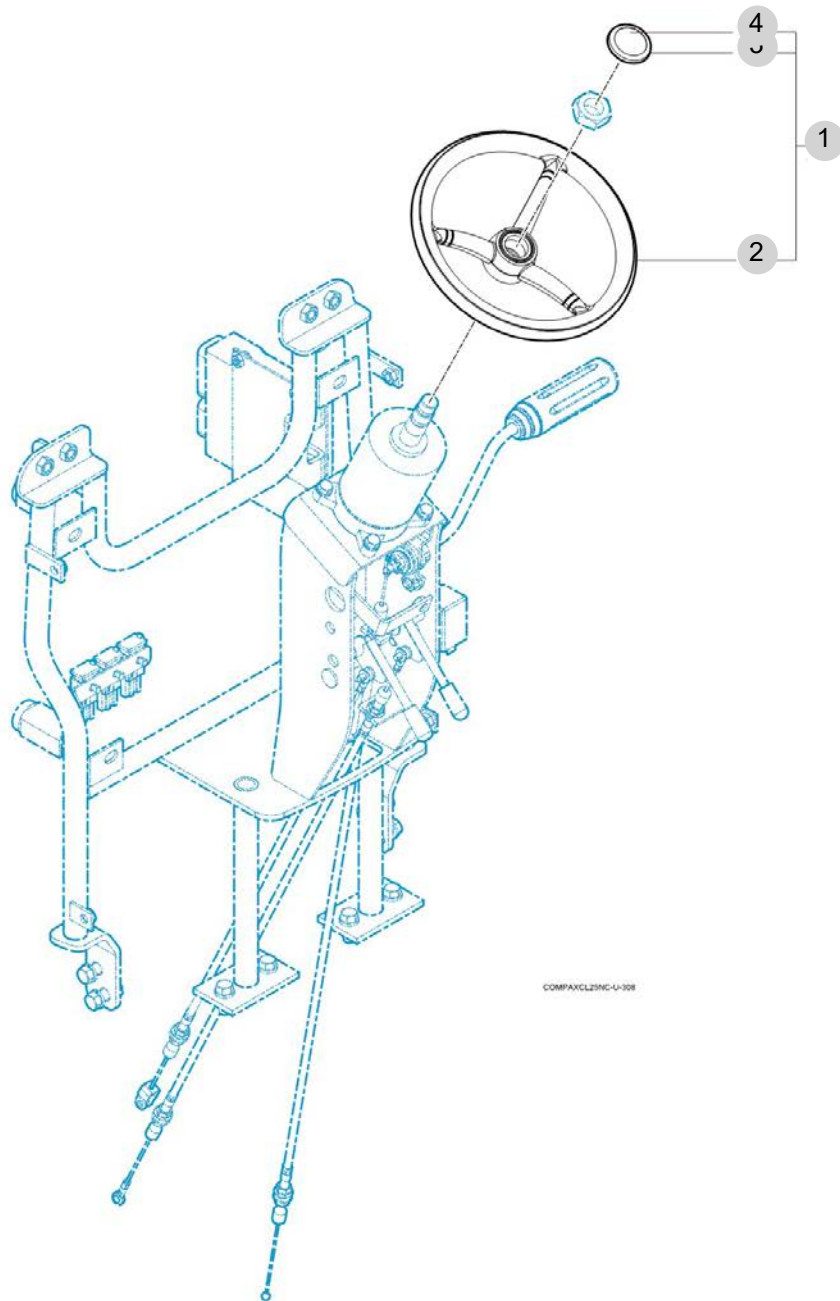
FIG 308

T255NHEU

STEERING WHEEL

년/월  
Year/Month

2022-12



COMPAXCL29NC-U-308

NOTE

FIG 308 T255NHEU		STEERING WHEEL					년/월 Year/Month	REMARKS
							2022-12	
KEY NO	PART NO	DESCRIPTION	SPEC	QTY	REPAIR	EFFECTIVE DATE	REMARKS	
308	1	14674012001	스티어링 휠 ASSY					
308	2	14674012100	스티어링 휠					
308	3	16994012020	커버(스티어링)					
308	4	19027322130	오나먼트					
308	4	19027322140	오나먼트					
308	4	11817322130	오나먼트					
NOTE								

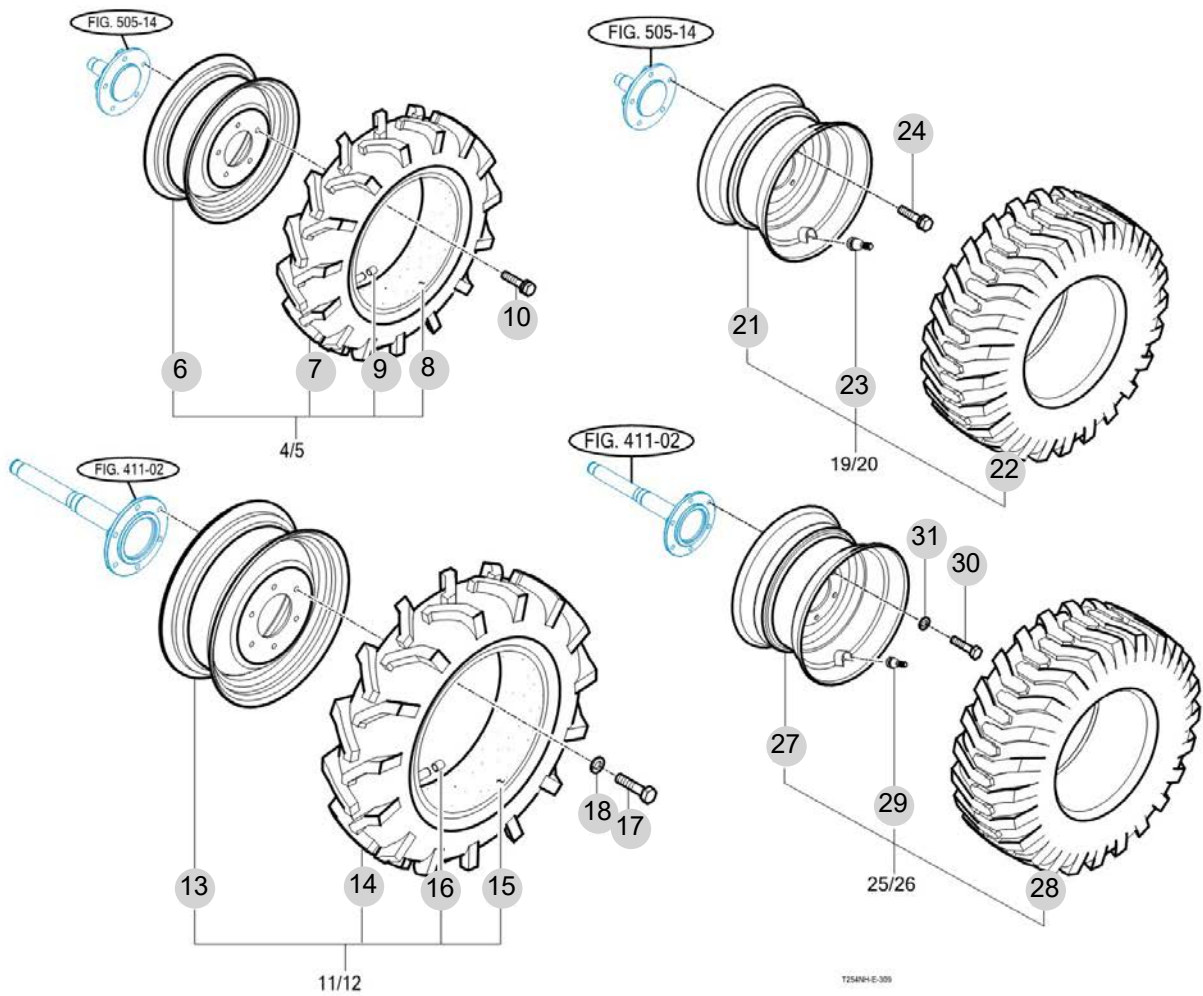
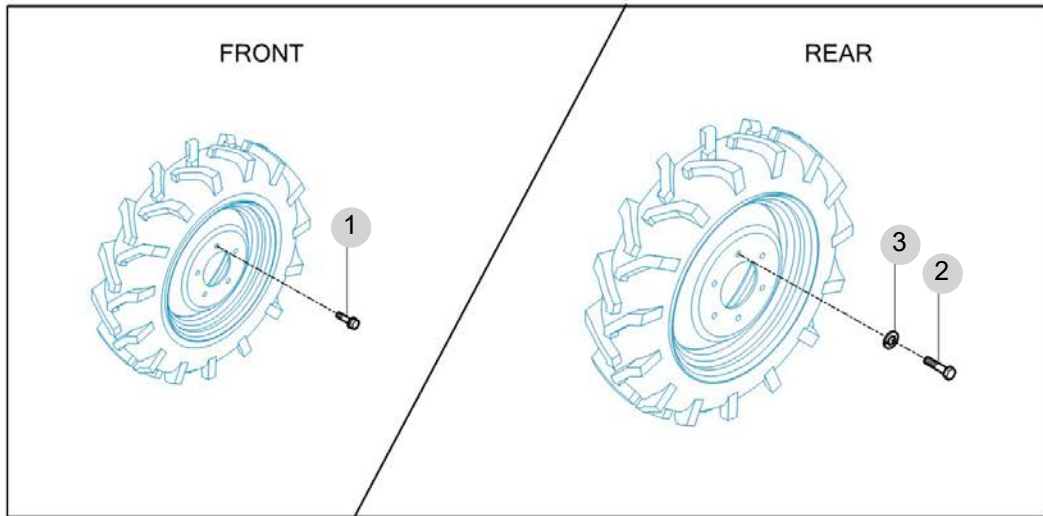
FIG 309

T255NHEU

TIRE

년/월  
Year/Month

2022-12



NOTE





#### 4. 트랜스미션 PART NO. T4

FIG 401 INPUT SHAFT	82
FIG 402 HST	84
FIG 403 INPUT GEAR	86
FIG 404 RANGE GEAR	88
FIG 405 4WD DRIVE GEAR	90
FIG 406 P.T.O DRIVE SHAFT	92
FIG 407 P.T.O SHAFT	94
FIG 408 MID P.T.O GEAR	96
FIG 409 DIFF LOCK	98
FIG 410 REAR TRANSMISSION CASE	100
FIG 411 REAR AXLE HOUSINGS	102
FIG 412 RANGE SHIFT LEVER	104
FIG 413 P.T.O CHANGE LEVER	106
FIG 414 4WD CHANGE LEVER	108
FIG 415 TRANSMISSION MOUNTING	110

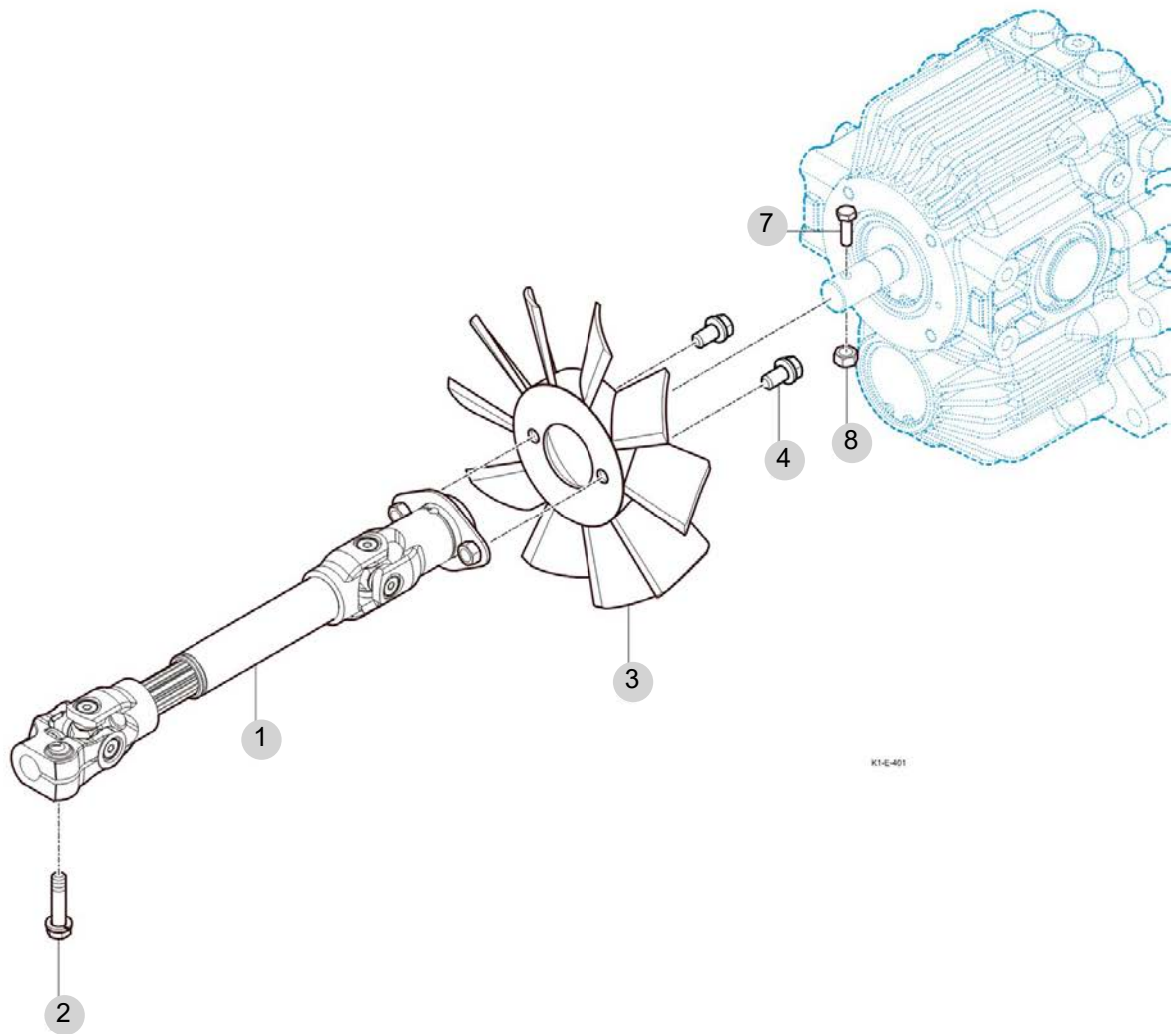
FIG 401

T255NHEU

INPUT SHAFT

년/월  
Year/Month

2022-12



K1-E-401

NOTE



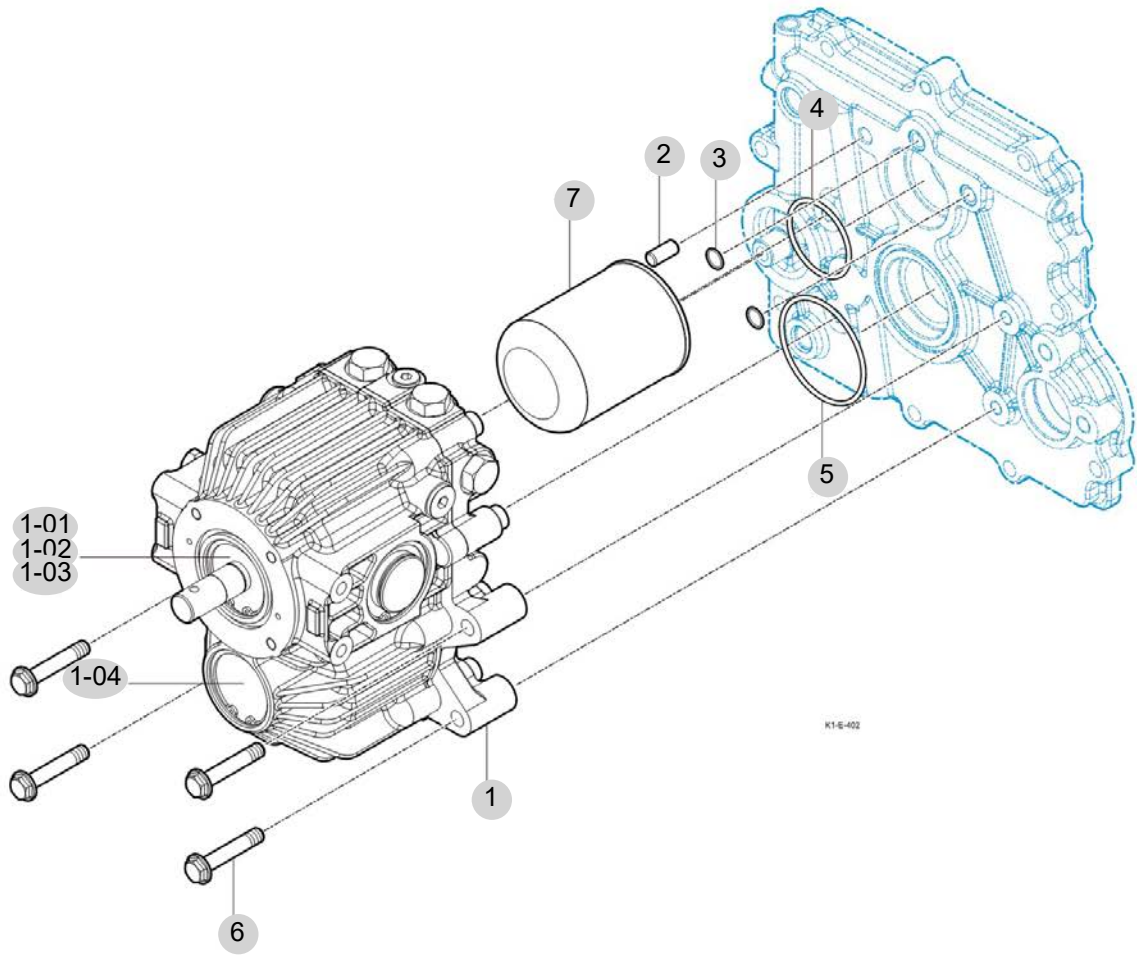
FIG 402

T255NHEU

HST

년/월  
Year/Month

2022-12



NOTE



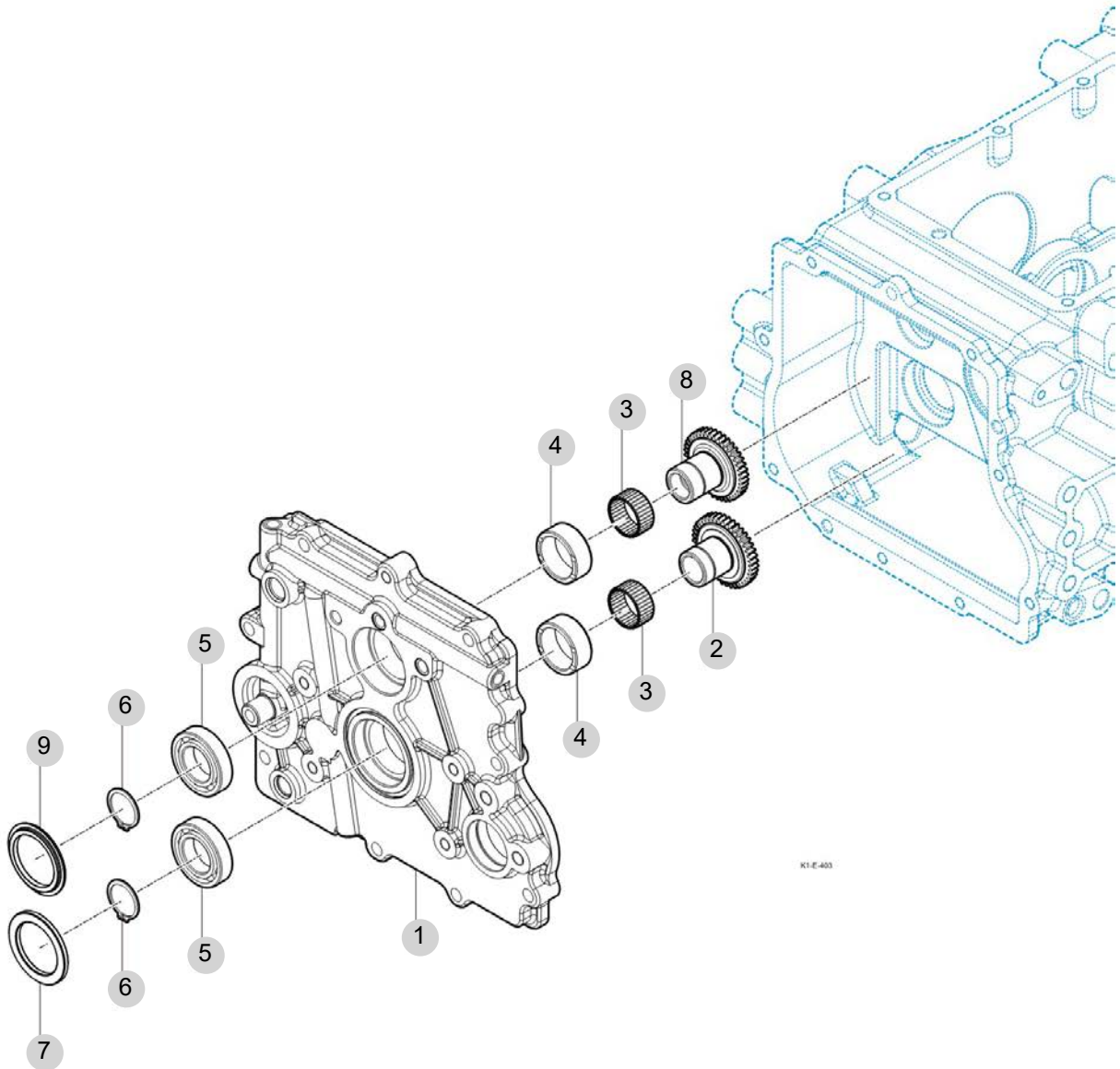
FIG 403

INPUT GEAR

년/월  
Year/Month

2022-12

T255NHEU



NOTE



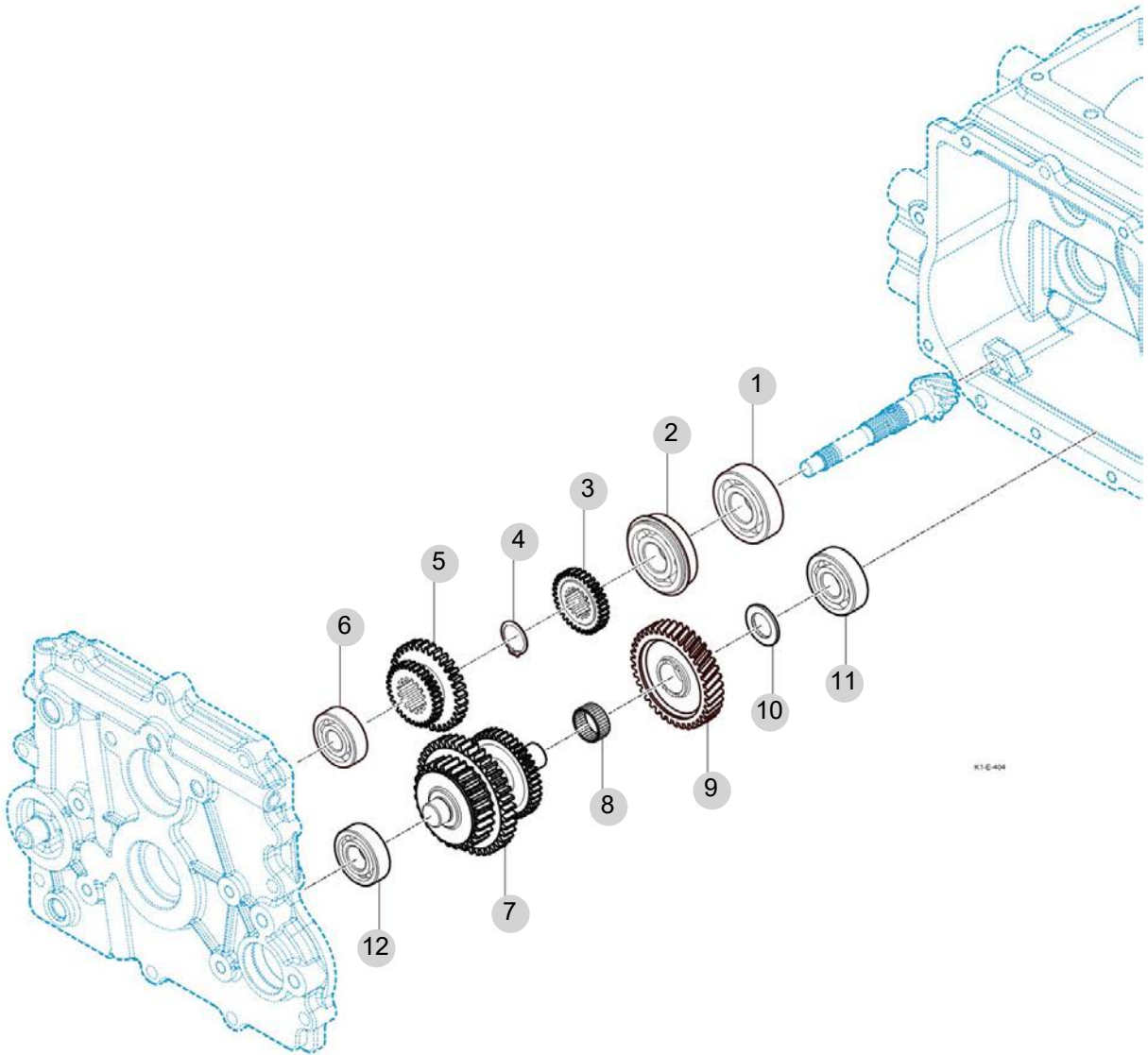
FIG 404

T255NHEU

RANGE GEAR

년/월  
Year/Month

2022-12



NOTE





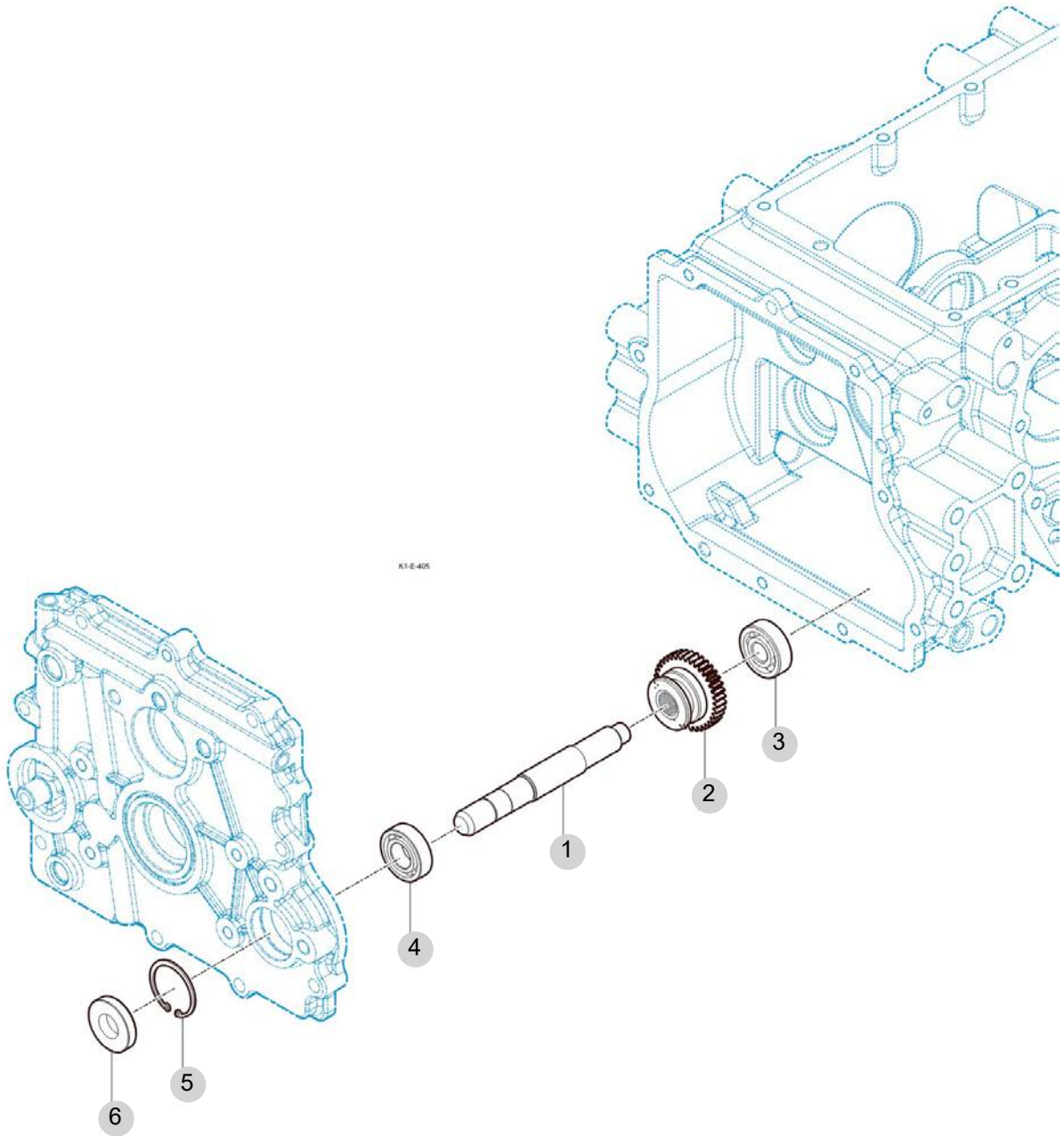
FIG 405

4WD DRIVE GEAR

년/월  
Year/Month

T255NHEU

2022-12



NOTE



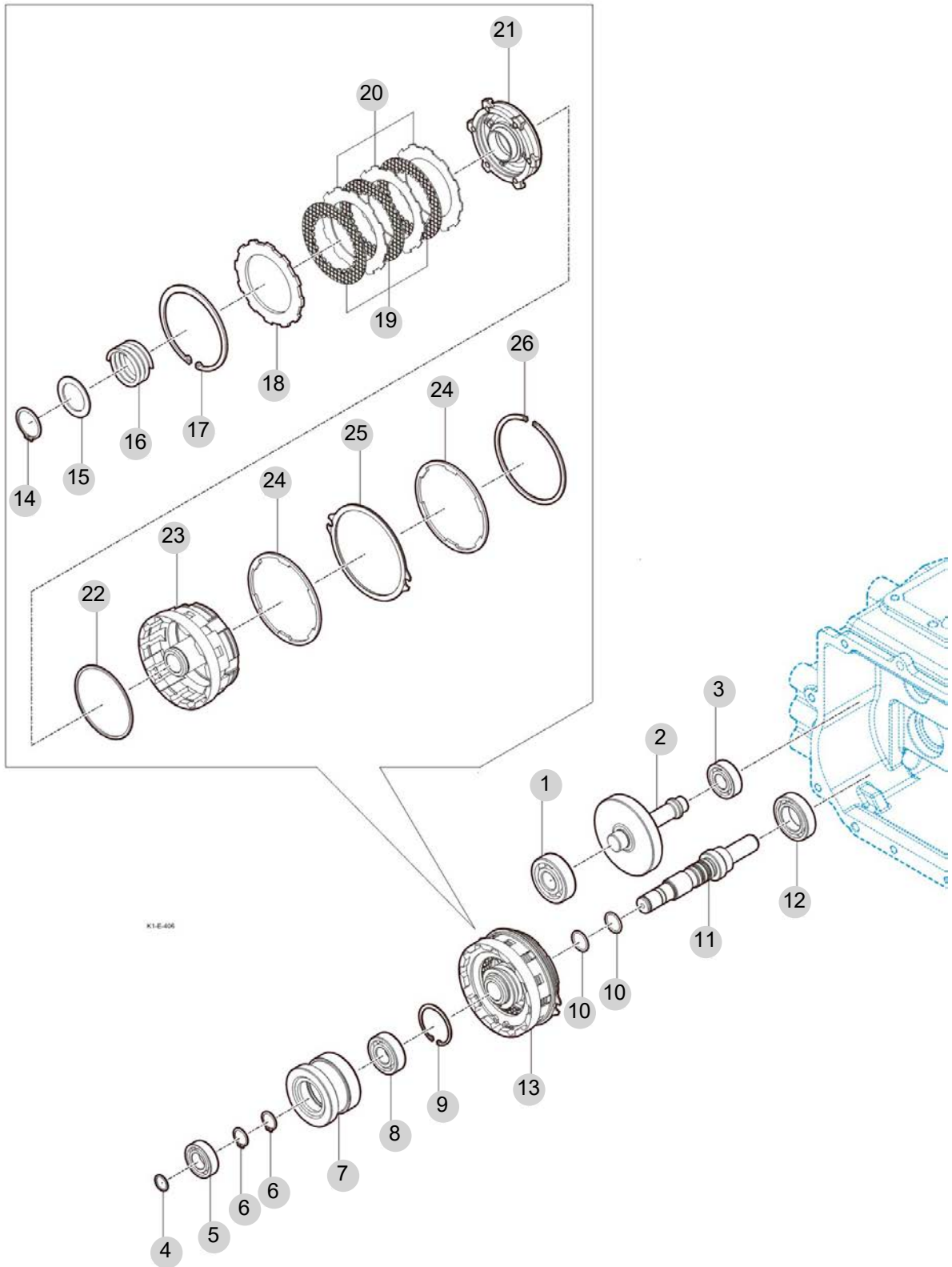
FIG 406

T255NHEU

P.T.O DRIVE SHAFT

년/월  
Year/Month

2022-12



K1-E-406

NOTE



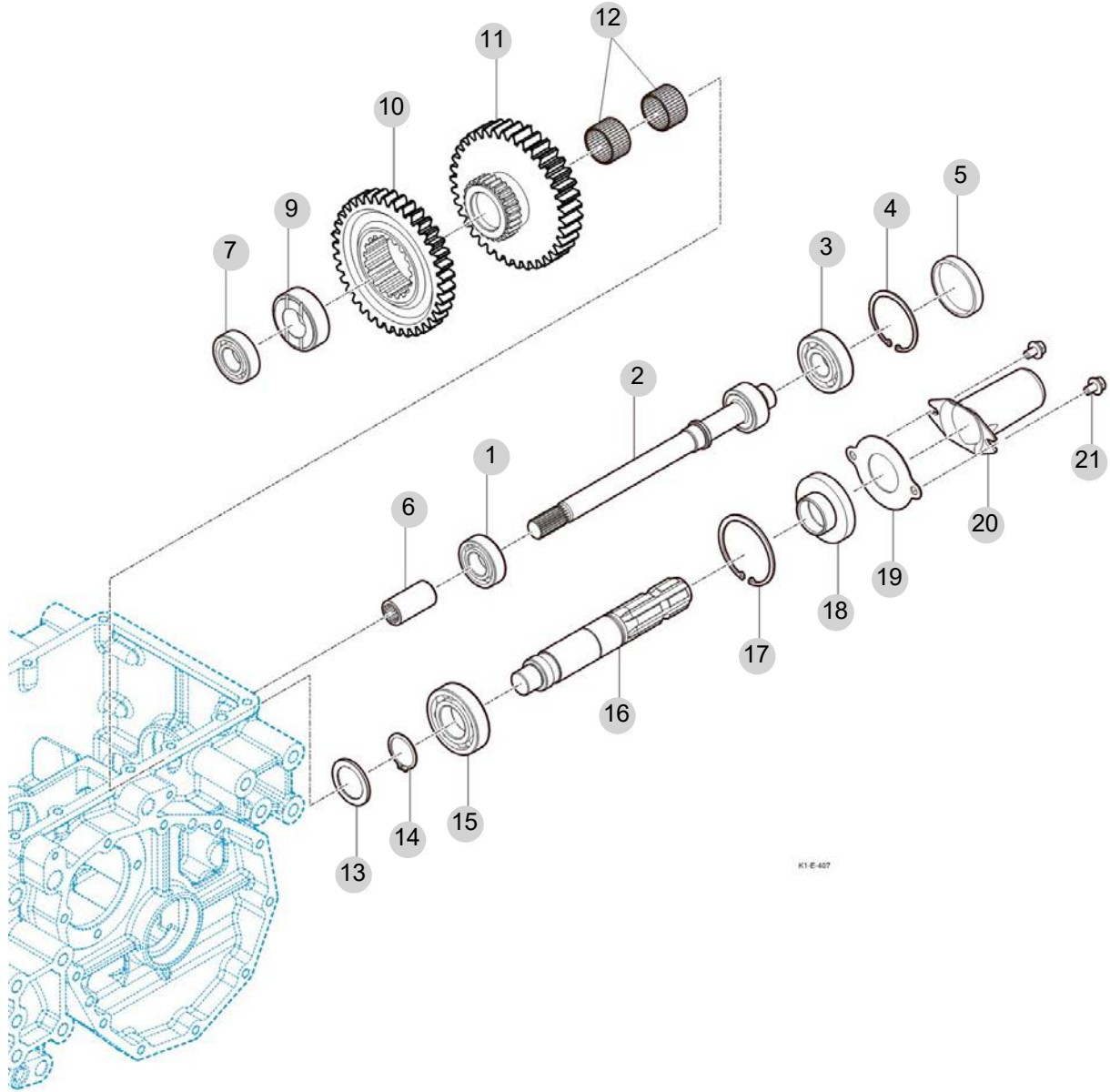
FIG 407

T255NHEU

P.T.O SHAFT

년/월  
Year/Month

2022-12



NOTE



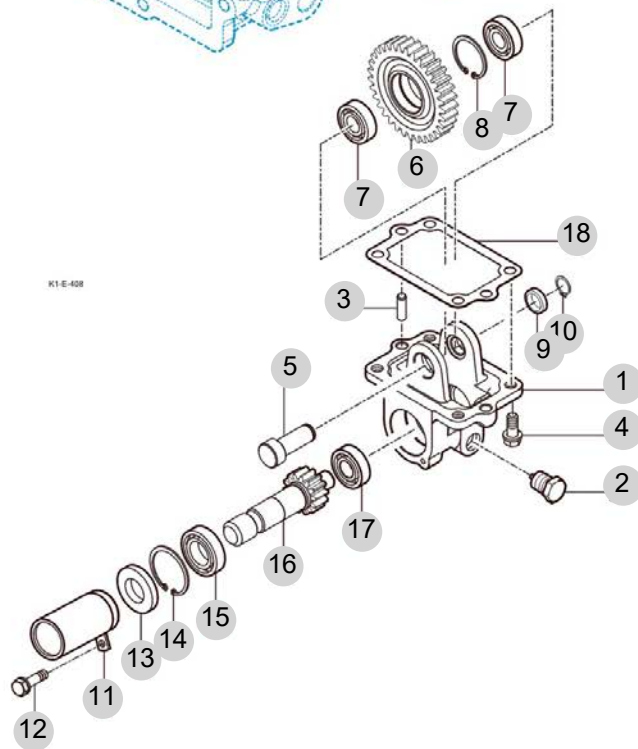
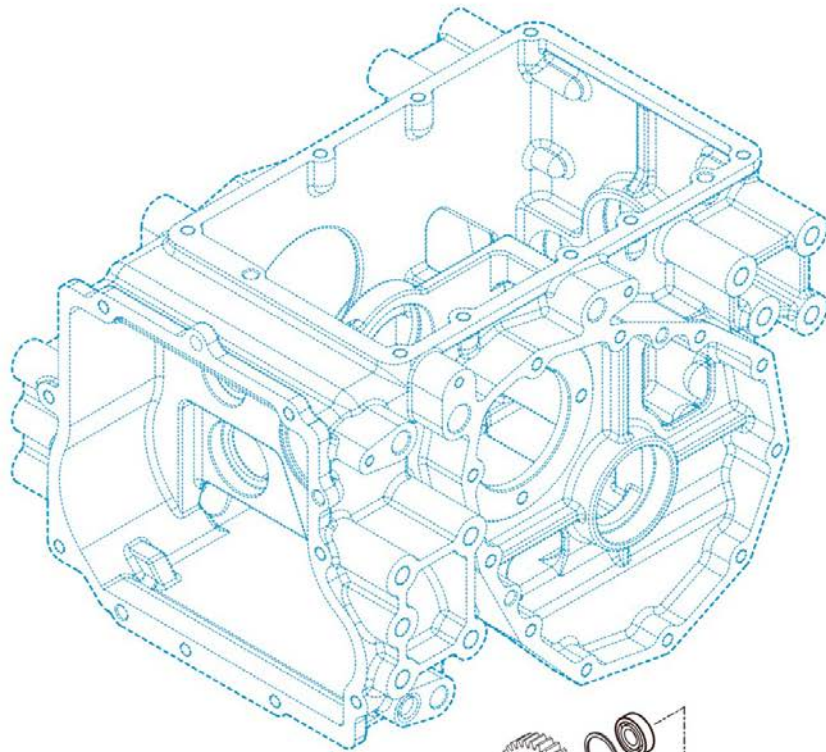
FIG 408

MID P.T.O GEAR

년/월  
Year/Month

T255NHEU

2022-12



NOTE





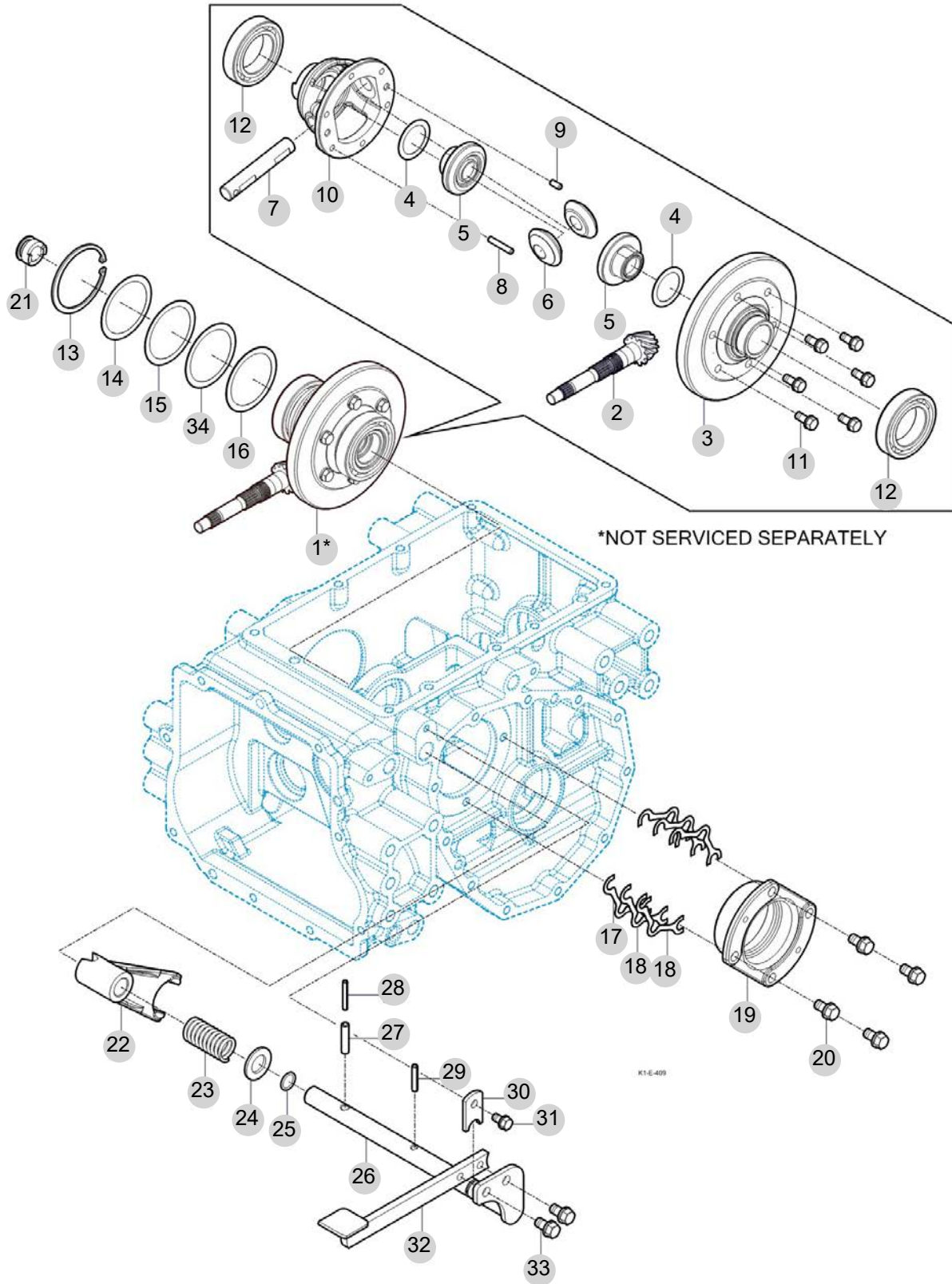
FIG 409

DIFF LOCK

년/월  
Year/Month

T255NHEU

2022-12



NOTE



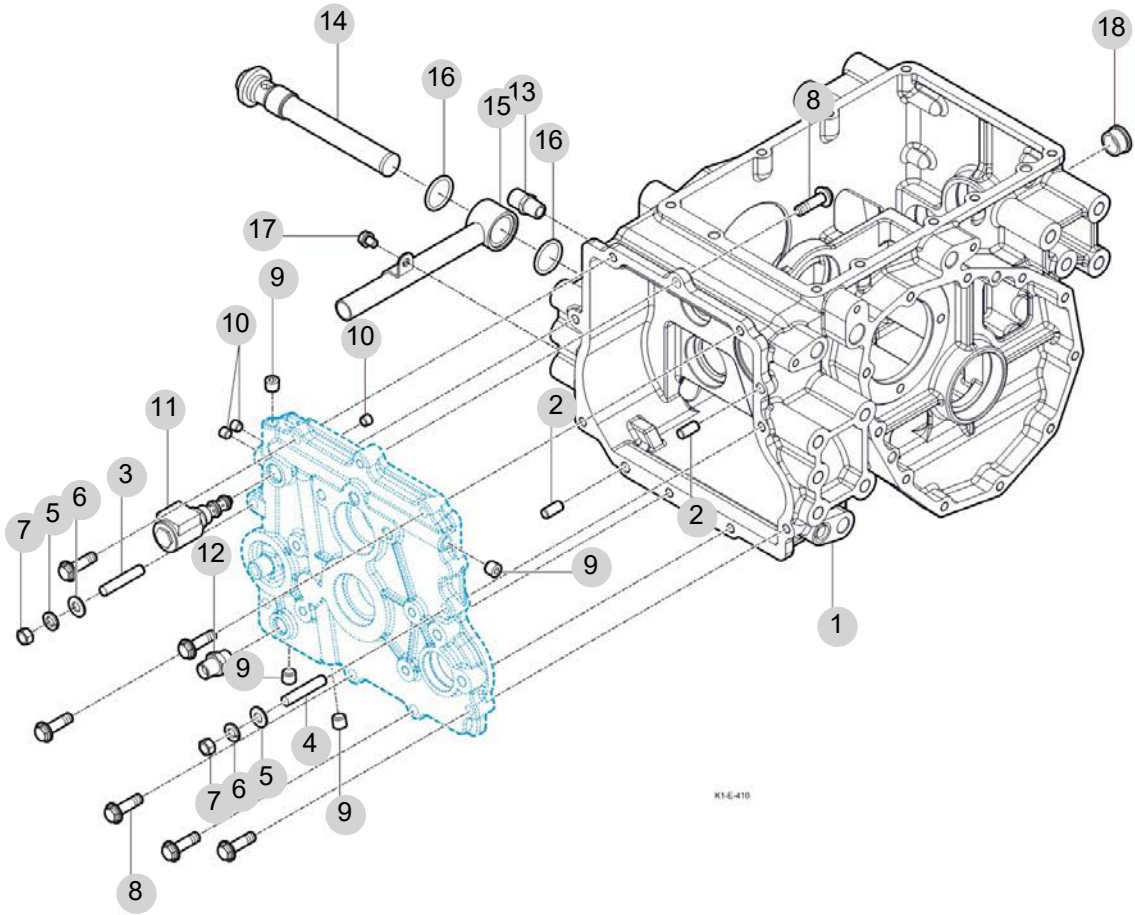
FIG 410

T255NHEU

REAR TRANSMISSION CASE

년/월  
Year/Month

2022-12



NOTE



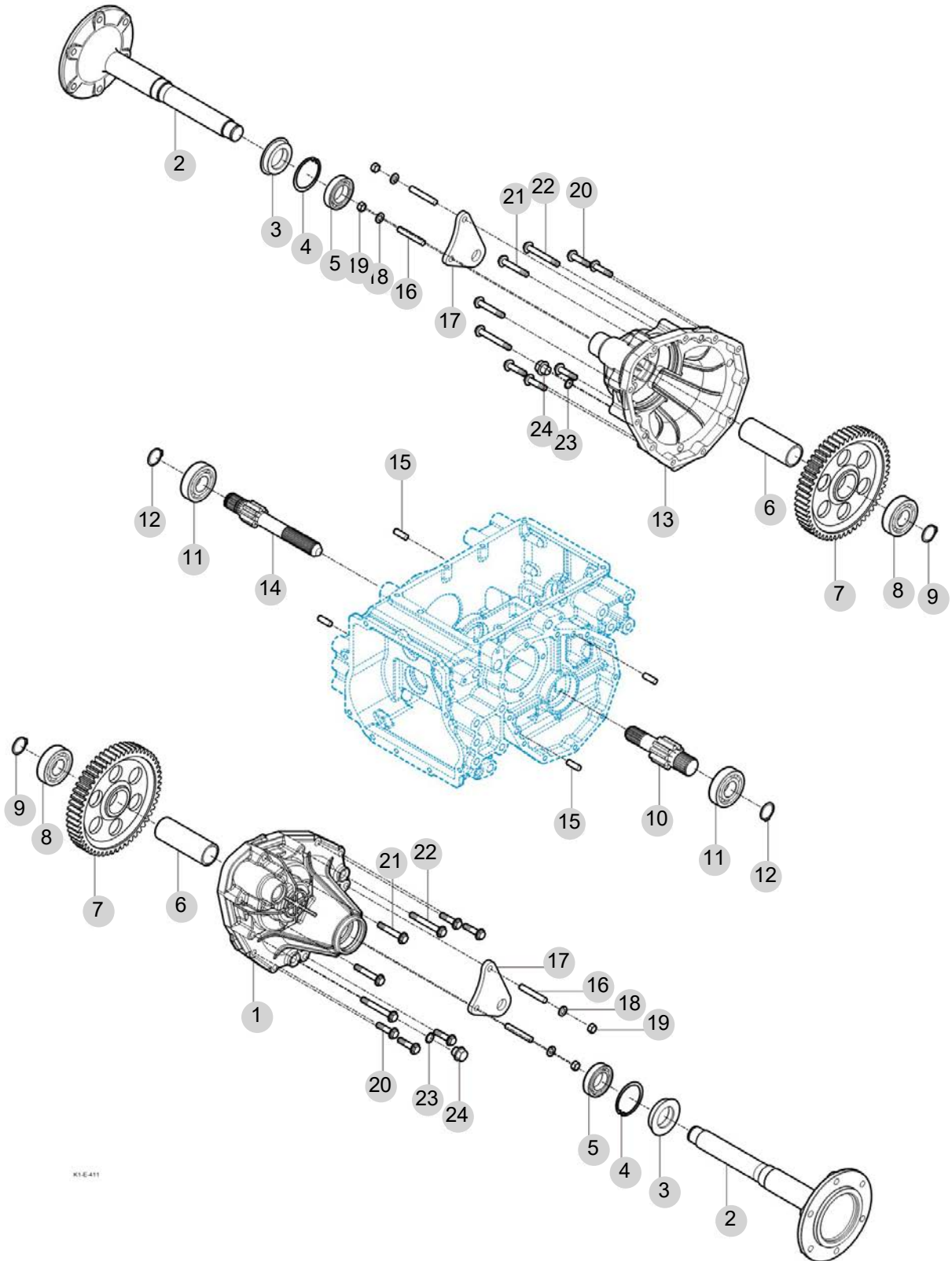
FIG 411

REAR AXLE HOUSINGS

년/월  
Year/Month

2022-12

T255NHEU



NOTE



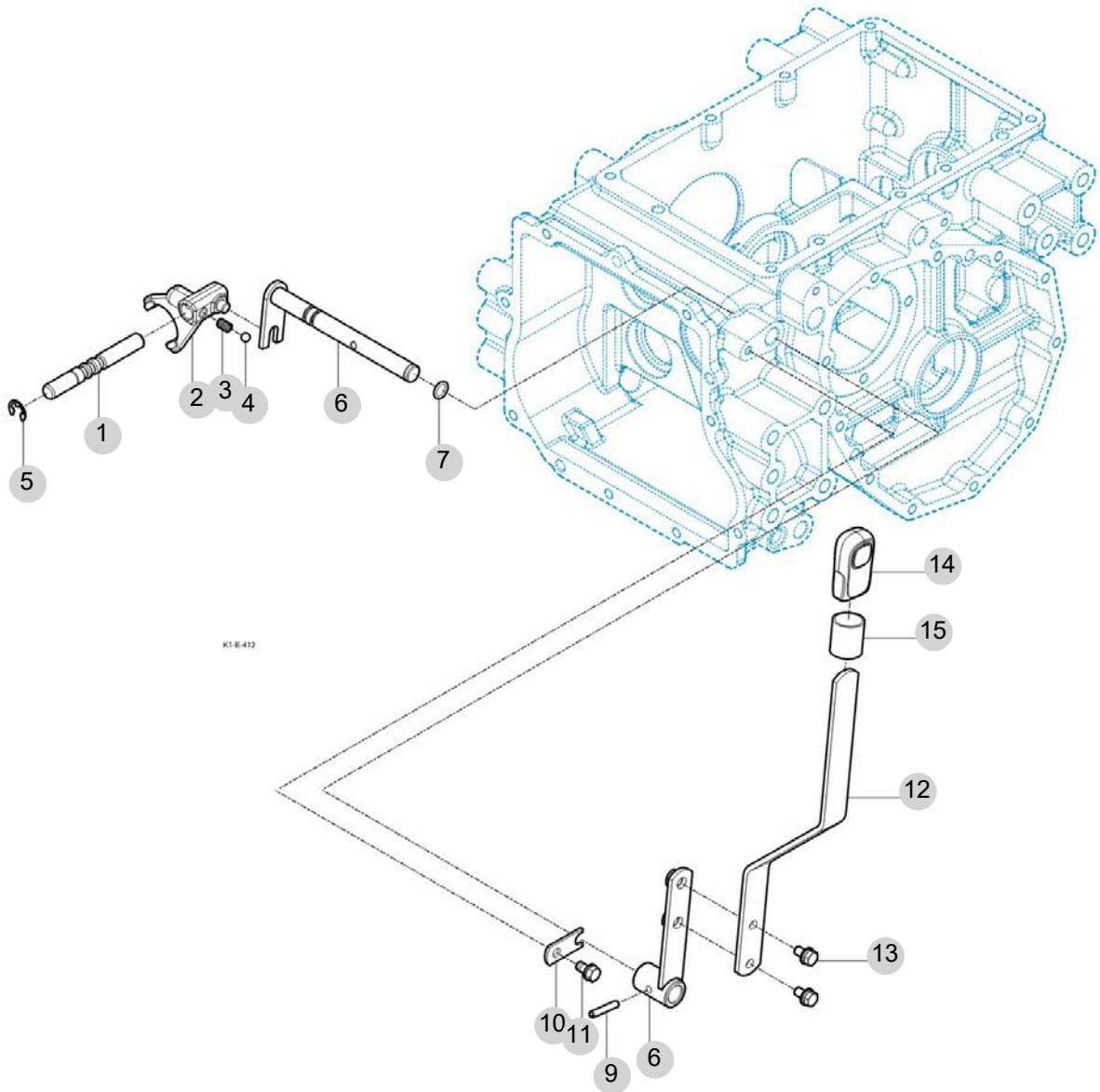
FIG 412

RANGE SHIFT LEVER

년/월  
Year/Month

T255NHEU

2022-12



NOTE



FIG 412 T255NHEU		RANGE SHIFT LEVER					년/월 Year/Month	REMARKS
							2022-12	
KEY NO		PART NO	DESCRIPTION	SPEC	QTY	REPAIR	EFFECTIVE DATE	
412	1	11102430020	부변속 스테이		1			
412	2	11102430010M	부변속 포크		1			
412	3	13022250030	시프터스프링		1			
412	4	V6802000010	강구	5/16	1			
412	5	V7081400100	E형멈출림	10	1			
412	6	11102432001	부변속 레버 SET		1			
412	7	V7201024012	O링(P)	1A, P12	1			
412	9	V5801406032	스프링핀	6X32	1			
412	10	16702230371	플레이트		1			
412	11	V2173608016	소형육각볼트보통(S)	M8X16	1			
412	12	11102430030GB	부변속 레버		1			
412	13	V2183608020	소형육각볼트보통(SP)	M8X20	2			
412	14	11106073030	노브 , 4WD		1			
412	15	11103160020	튜브(스트레이트,60)		1			
NOTE								

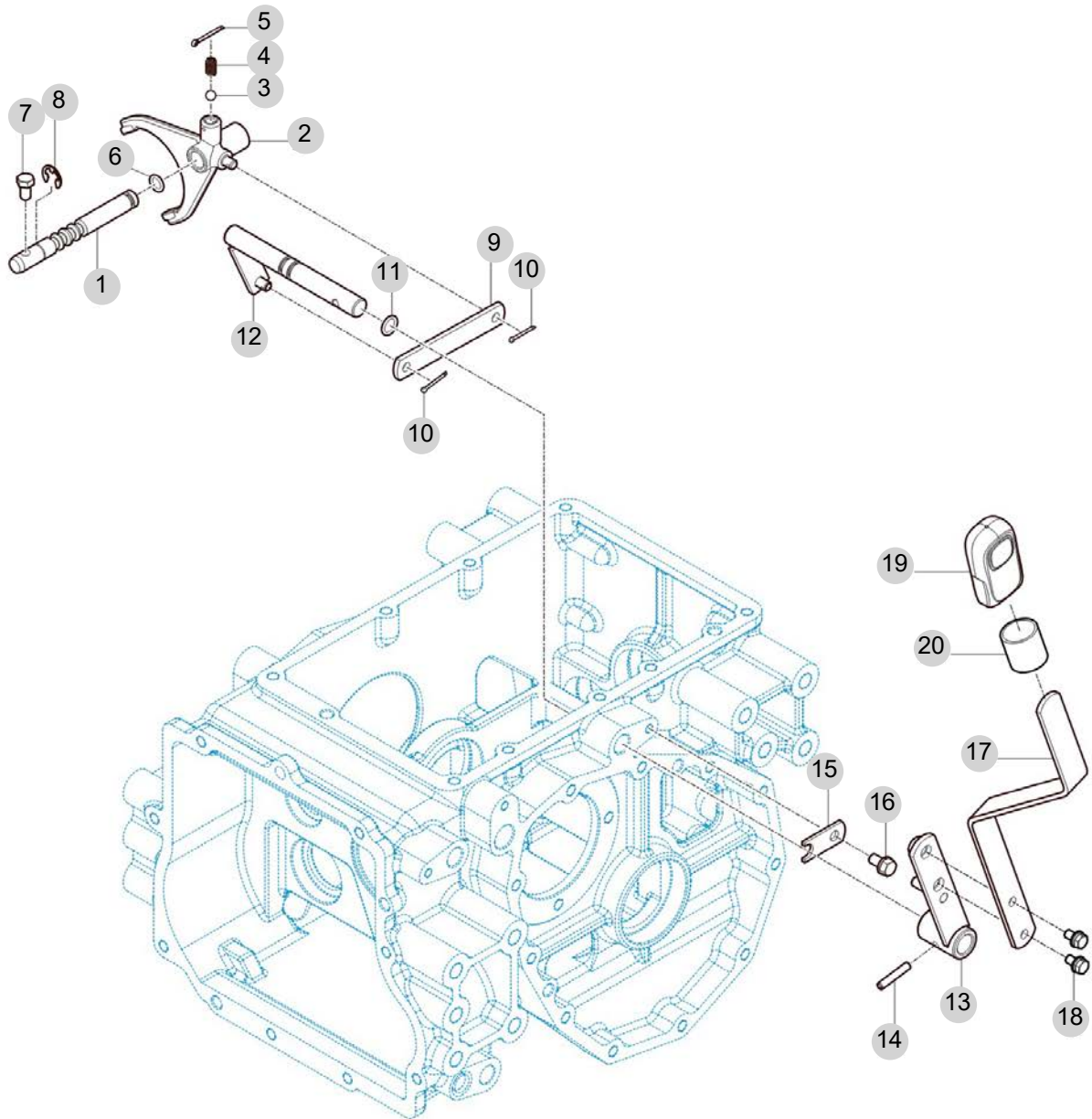
FIG 413

P.T.O CHANGE LEVER

년/월  
Year/Month

2022-12

T255NHEU



NOTE



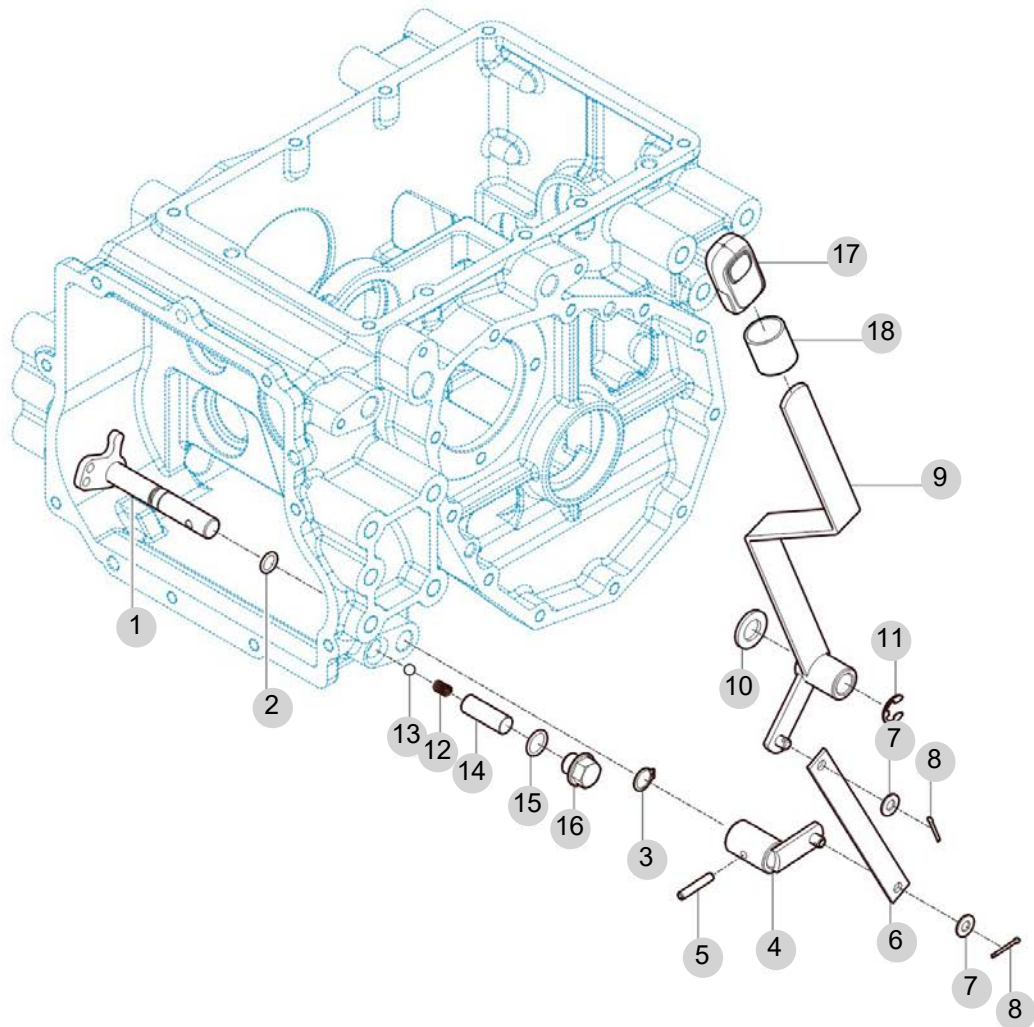
FIG 414

4WD CHANGE LEVER

년/월  
Year/Month

2022-12

T255NHEU



NOTE

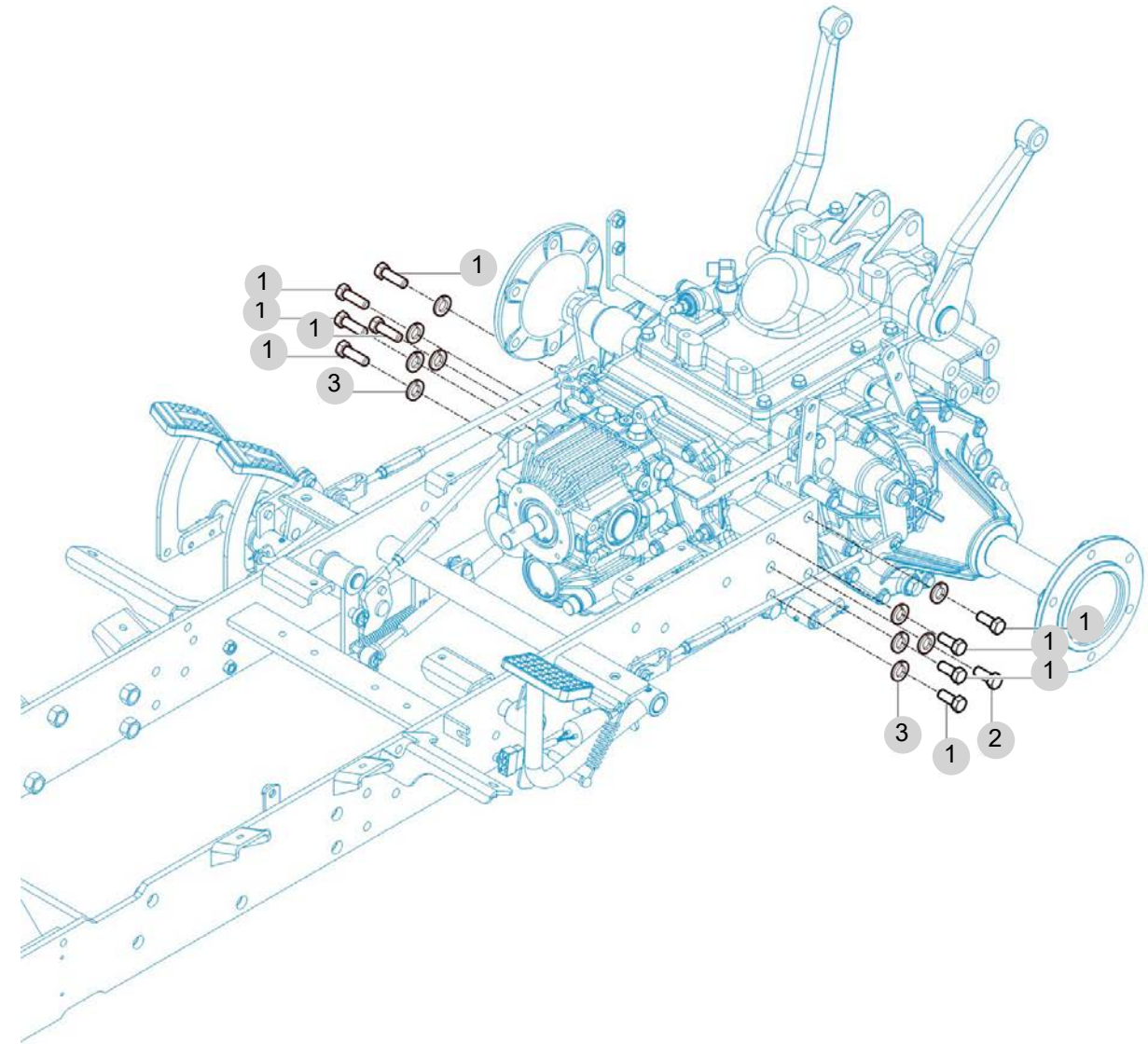
FIG 414 T255NHEU		4WD CHANGE LEVER						년/월 Year/Month			
								2022-12			
								KEY NO	PART NO	DESCRIPTION	SPEC
414	1	11102632100	4WD 포크 COMP			1					
414	2	V7201024012	O링(P)	1A , P12		1					
414	3	V7041400160	C형멈춤링(축용)	16		1					
414	4	11102632200	4WD 암 COMP			1					
414	5	V5801406032	스프링핀	6X32		1					
414	6	11102630010GB	4WD 링크			1					
414	7	V4111600080	평와셔	M8		2					
414	8	V5001925020	핀	2.5X20		2					
414	9	11102633101	4WD 레버 COMP			1					
414	10	V4111600160	평와셔	M16		1					
414	11	V7081400120	E형멈춤링			1					
414	12	V6802000010	강구	5/16		1					
414	13	13022250030	시프터스프링			1					
414	14	11102630020	볼가이드			1					
414	15	V7201024016	O링(P)	1A , P16		1					
414	16	11102400020	플러그(M16)			1					
414	17	11106073030	노브 , 4WD			1					
414	18	11103160020	튜브(스트레이트,60)			1					
414	19	17995070270	부시(16X18X33)			1					
NOTE											

FIG 415

TRANSMISSION MOUNTING

년/월  
Year/Month

2022-12



NOTE



## 5. 프런트 액슬 PART NO. T5

FIG 501 FRONT DRIVE SHAFT	113
FIG 502 FRONT DIFFERENTIAL GEAR	115
FIG 503 FRONT AXLE HOUSING	117
FIG 504 FRONT GEAR CASE (1)	119
FIG 505 FRONT GEAR CASE (2)	121



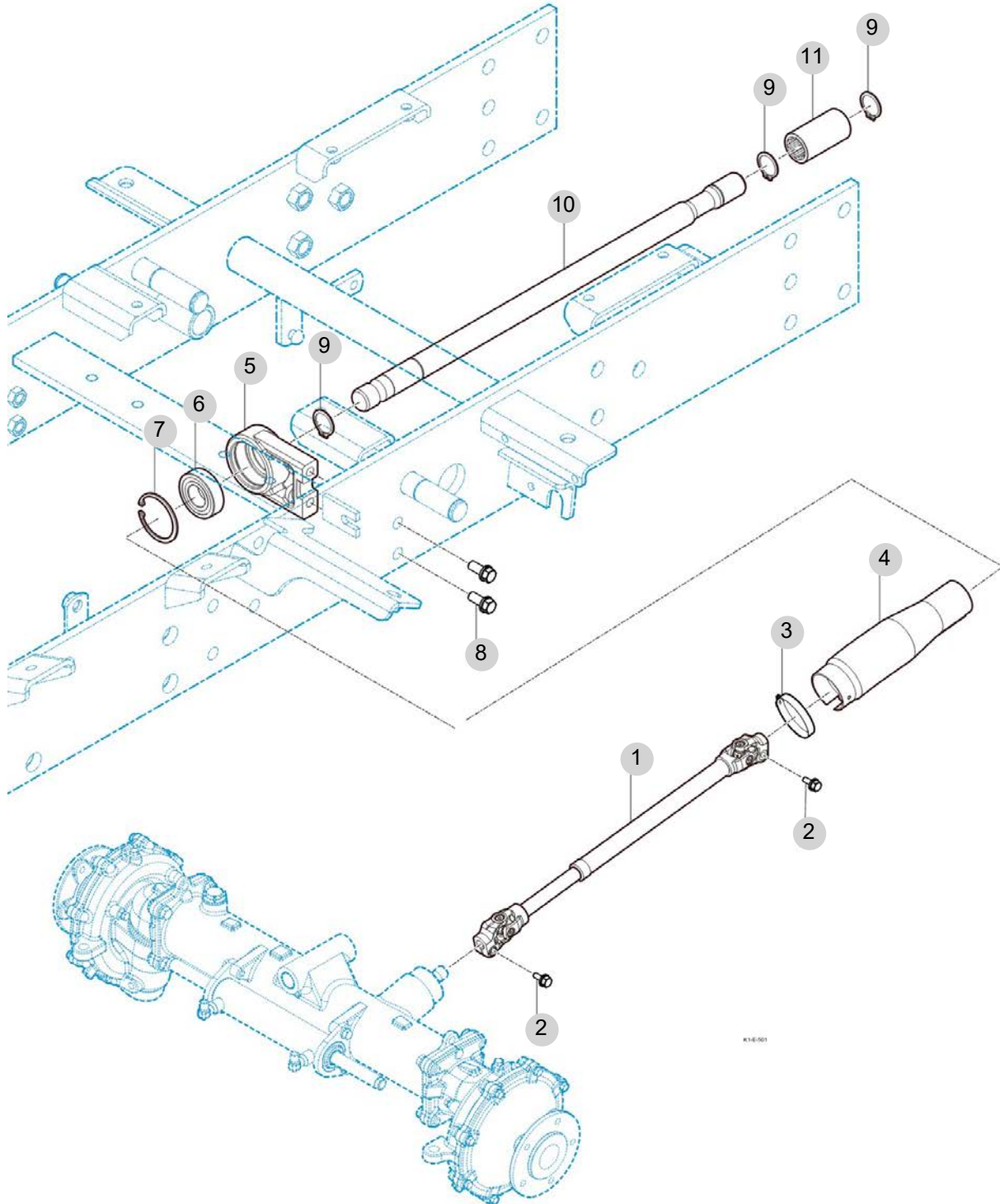
FIG 501

FRONT DRIVE SHAFT

년/월  
Year/Month

T255NHEU

2022-12



NOTE



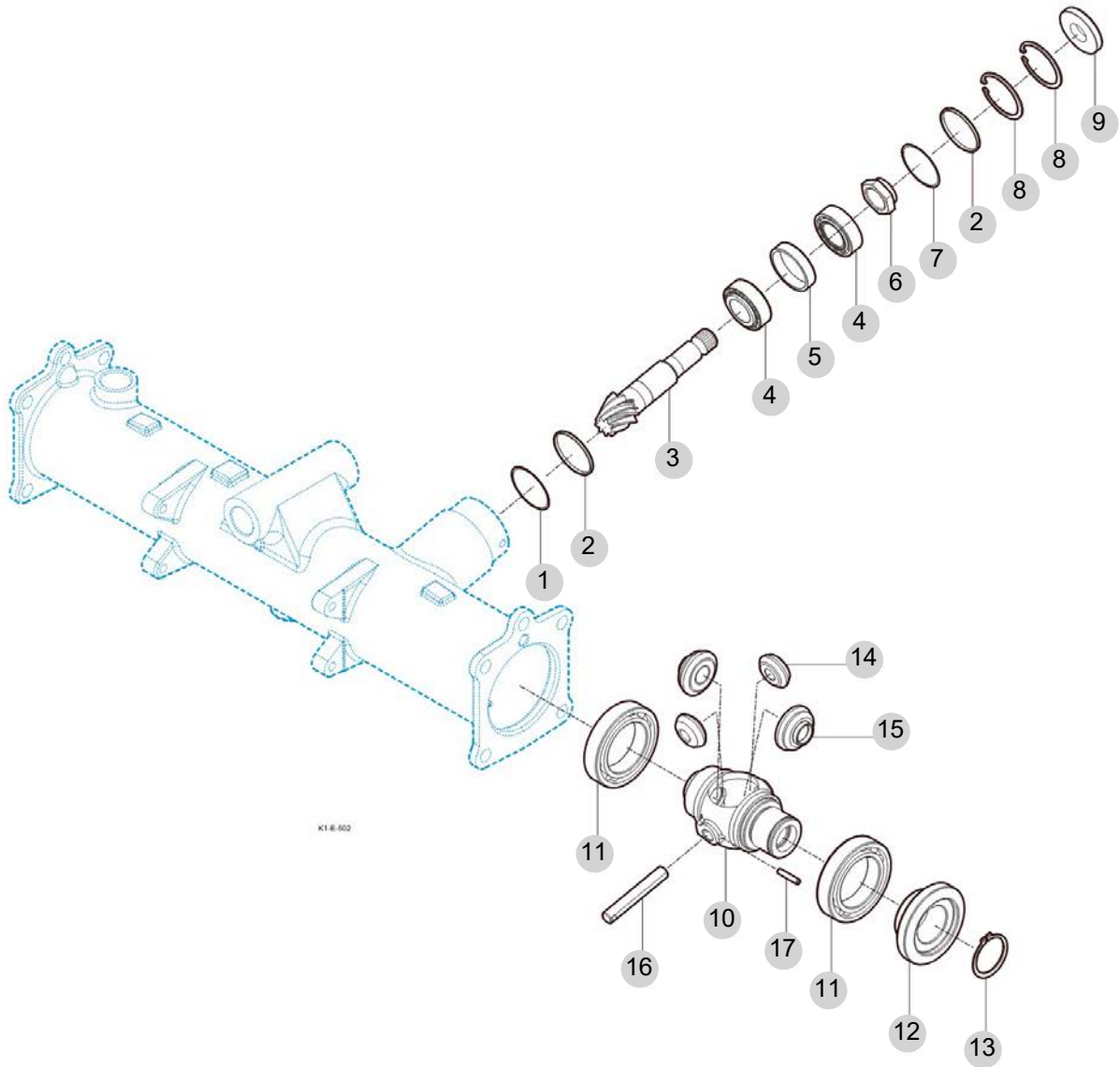
FIG 502

FRONT DIFFERENTIAL GEAR

년/월  
Year/Month

T255NHEU

2022-12



NOTE



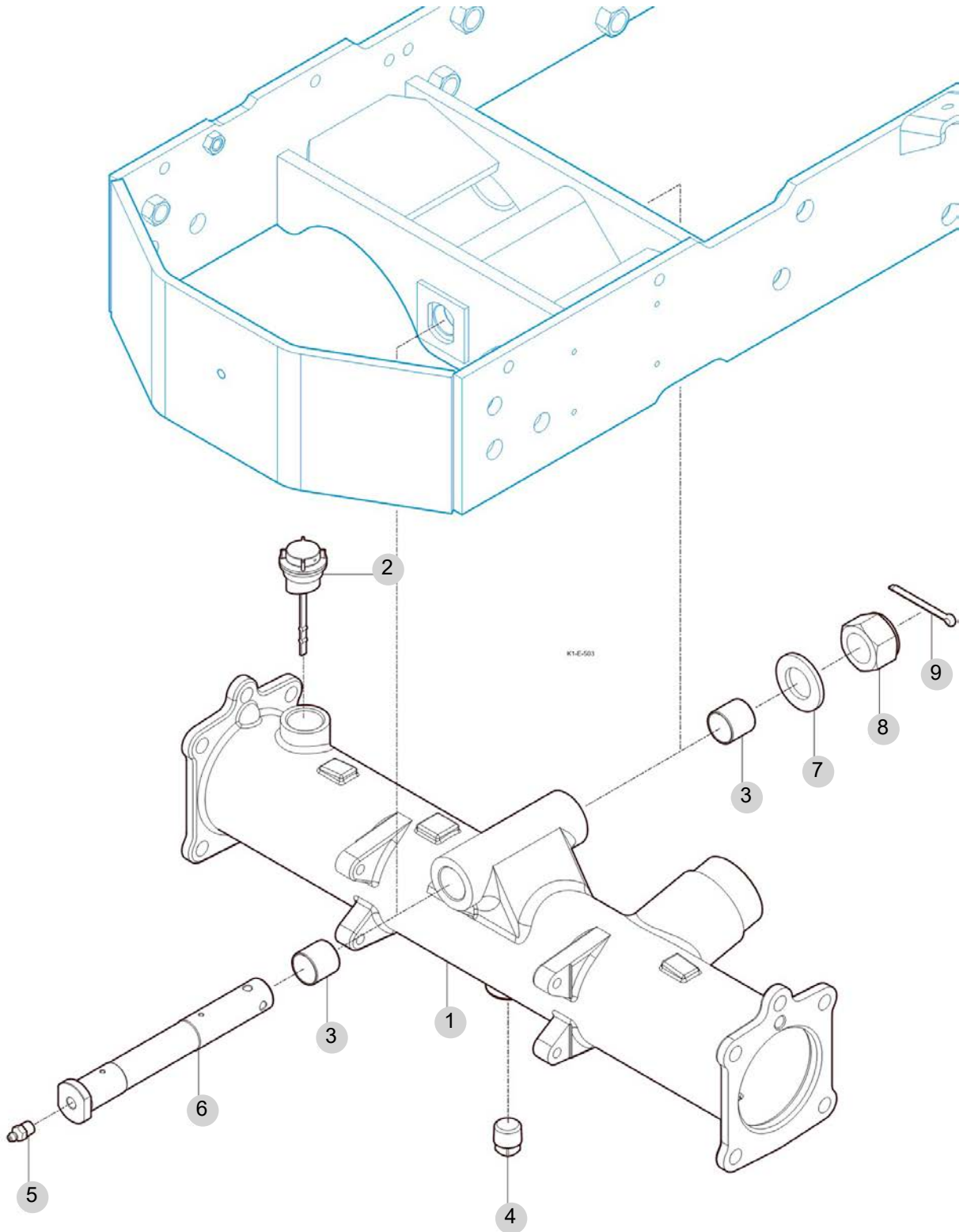
FIG 503

FRONT AXLE HOUSING

년/월  
Year/Month

T255NHEU

2022-12



NOTE



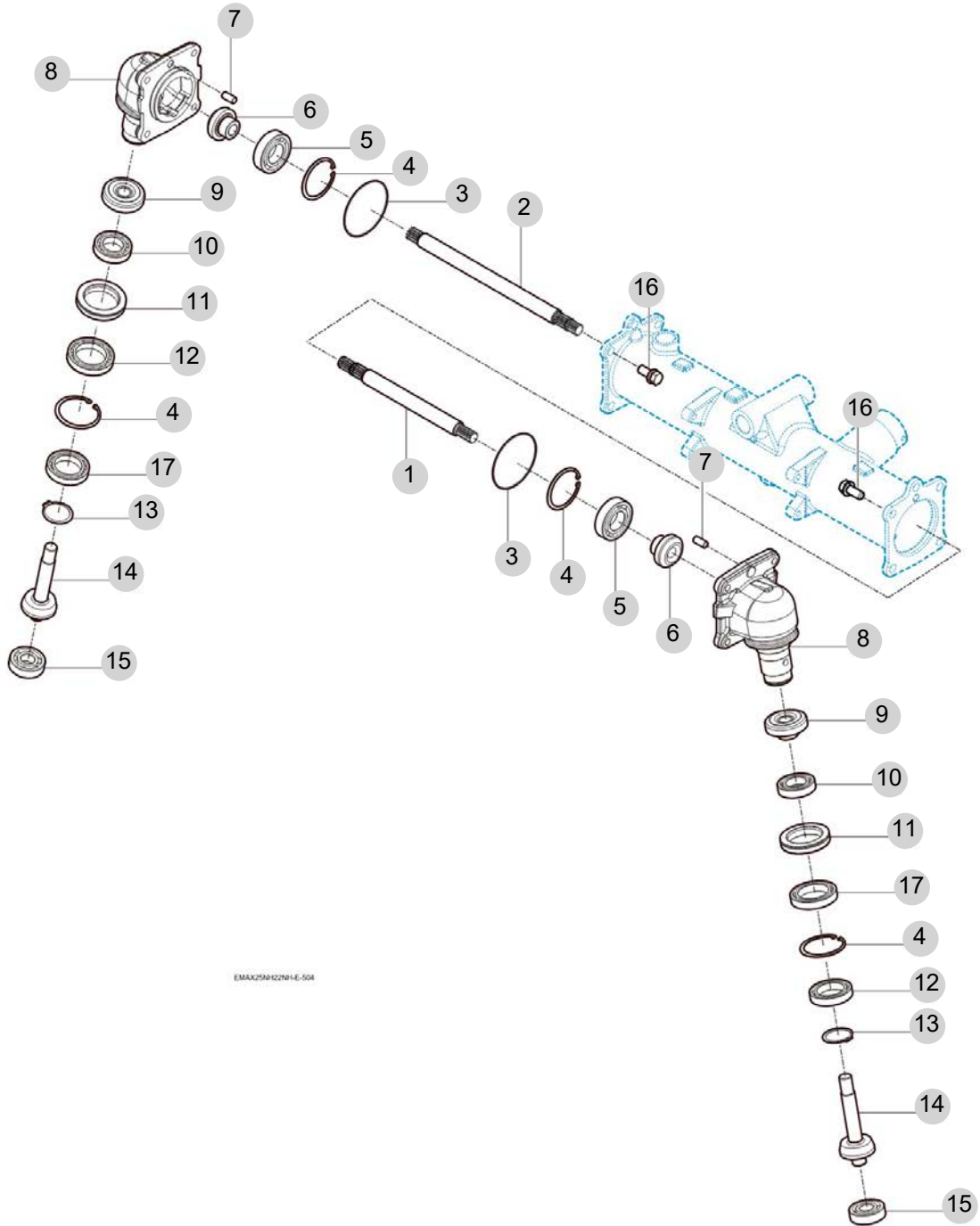
FIG 504

FRONT GEAR CASE (1)

년/월  
Year/Month

2022-12

T255NHEU



EMAX255H22NHE-504

NOTE





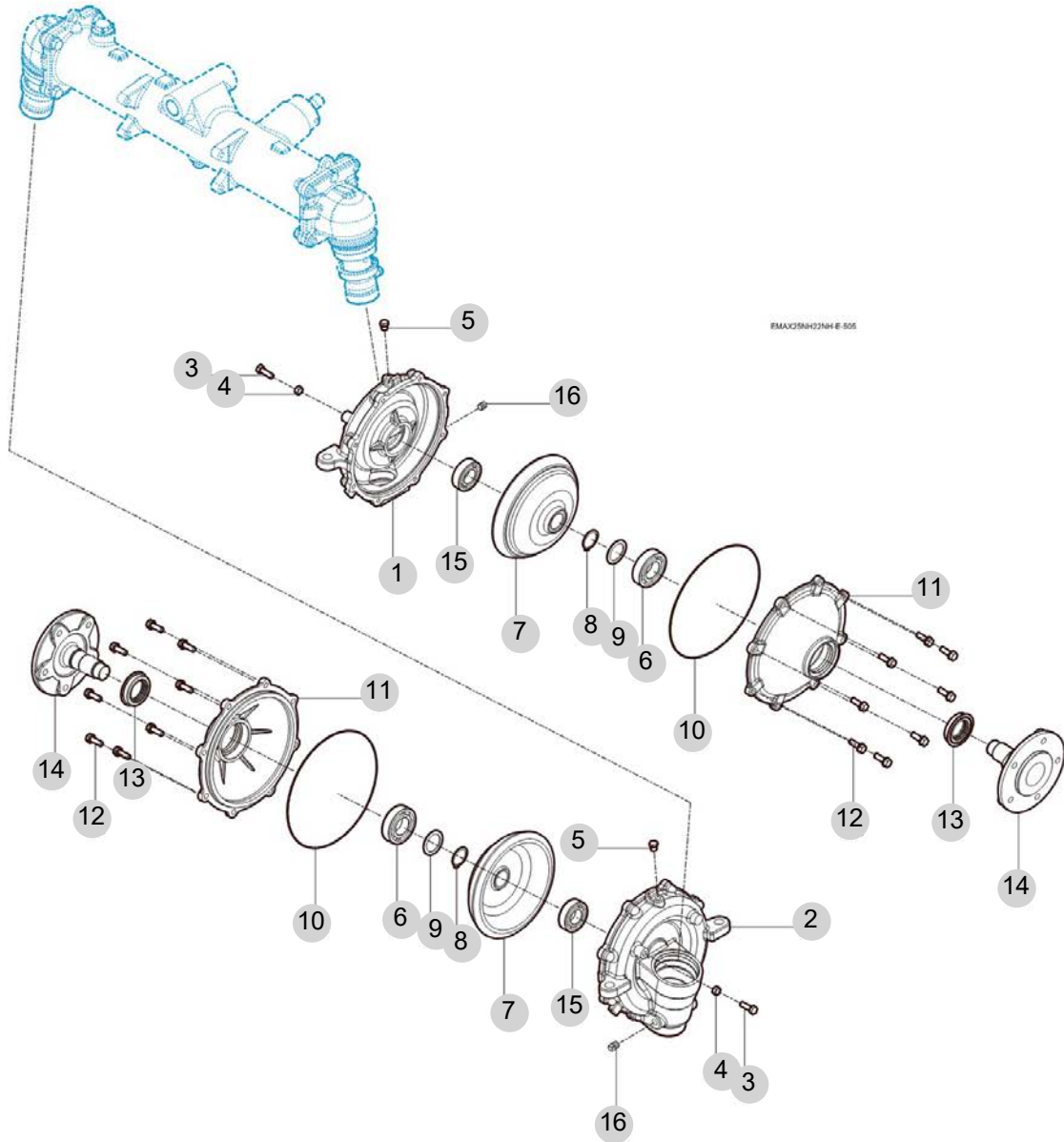
FIG 505

FRONT GEAR CASE (2)

년/월  
Year/Month

2022-12

T255NHEU



NOTE



## 6. 유압/3점링크 PART NO. T6

FIG 601 CYLINDER CASE	124
FIG 602 LIFT ARM	126
FIG 603 FLOW CONTROL VALVE	128
FIG 604 MAIN CONTROL VALVE	130
FIG 605 HYDRAULIC SUB	132
FIG 606 HITCH & 3-POINT LINKAGE	134
FIG 607 HITCH & COVER	136
FIG 608 AUXILIARY VALVE	138

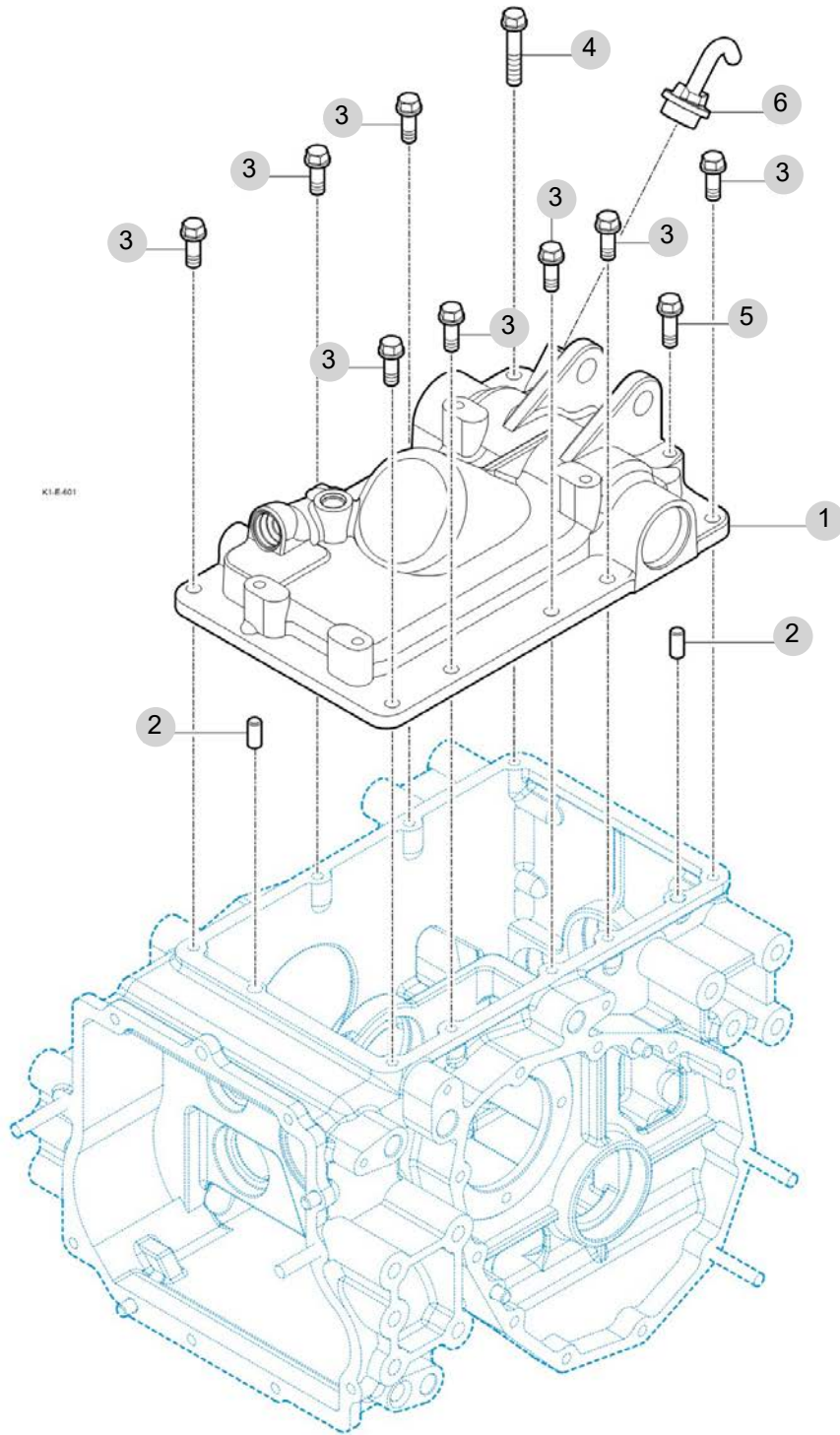
FIG 601

T255NHEU

CYLINDER CASE

년/월  
Year/Month

2022-12



NOTE



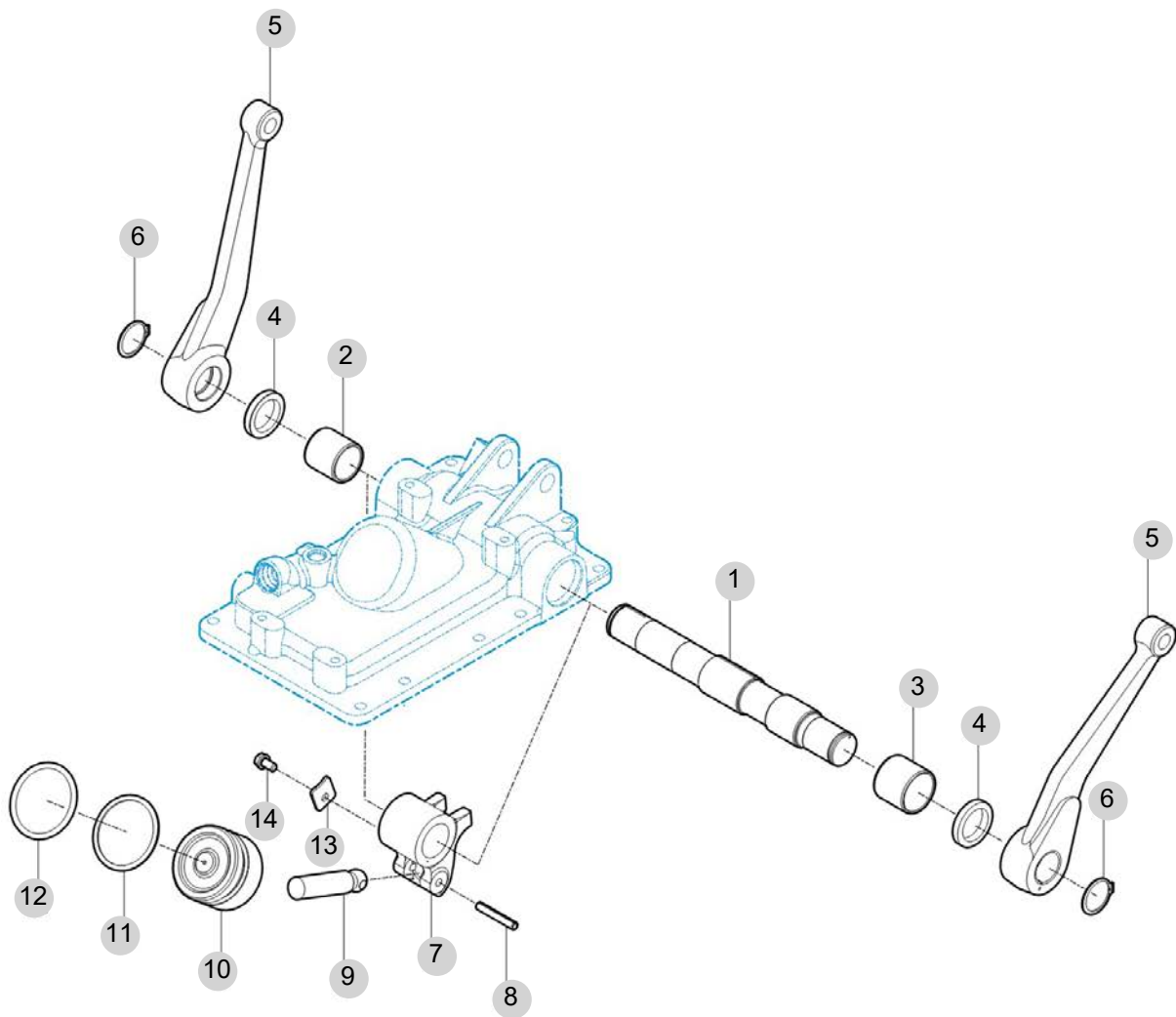
FIG 602

LIFT ARM

년/월  
Year/Month

T255NHEU

2022-12



NOTE

FIG 602 T255NHEU		LIFT ARM					년/월 Year/Month	
							2022-12	
KEY NO	PART NO	DESCRIPTION	SPEC	QTY	REPAIR	EFFECTIVE DATE	REMARKS	
602	1	11105020010	리프트샤프트			1		
602	2	13155010030	부시(35X42X40)	35X42X40		1		
602	3	13155010040	부시(40X46X40)	40X46X40		1		
602	4	V7441354808	오일실(D)	D35488		2		
602	5	11105020030M	리프트암			2		
602	6	V7041400350	C형멈춤링(축용)			2		
602	7	11105020020M	리프트크랭크			1		
602	8	V5801406050	스프링핀	6X50		1		
602	9	11105030061	피스톤로드			1		
602	10	11105030051M	유압피스톤			1		
602	11	16705050060	백업링			1		
602	12	V7201057070	O링(P)	1A , P70		1		
602	13	11105030070	플레이트			1		
602	14	V2173608016	소형육각볼트보통(S)	M8X16		1		
NOTE								

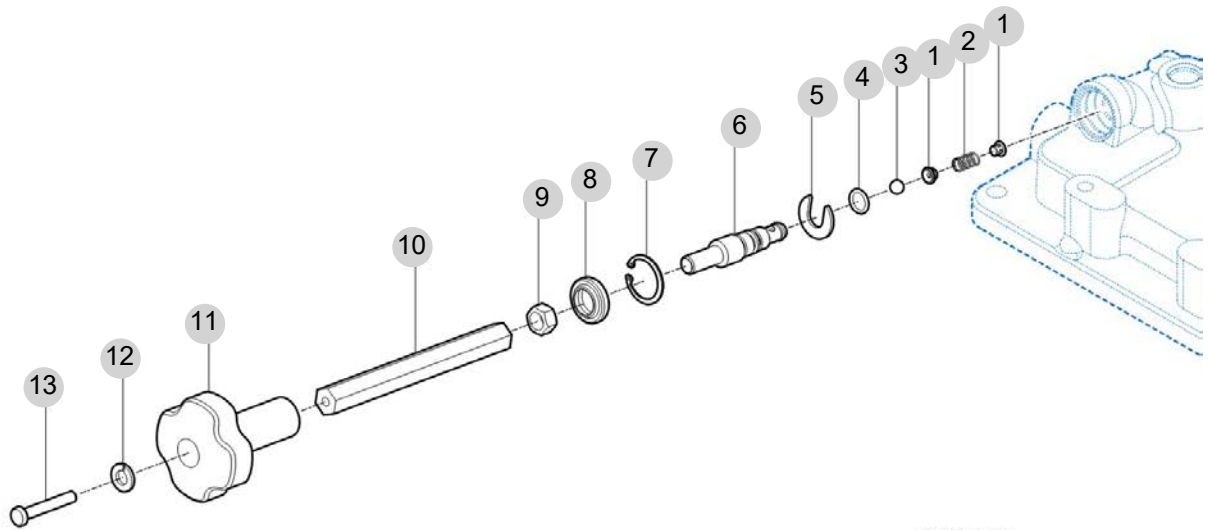
FIG 603

T255NHEU

FLOW CONTROL VALVE

년/월  
Year/Month

2022-12



EMAX25NH22NH-E-603

NOTE





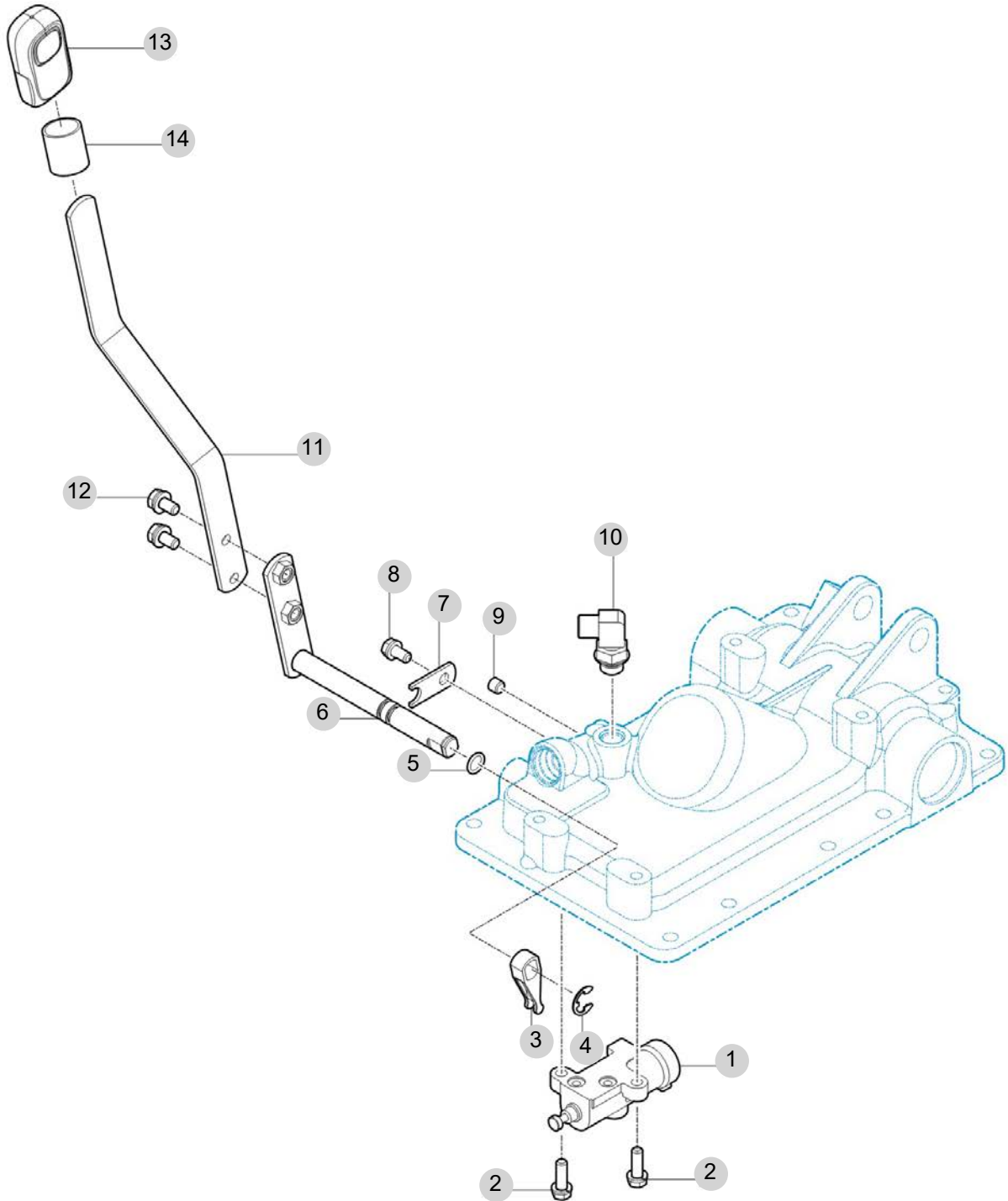
FIG 604

T255NHEU

MAIN CONTROL VALVE

년/월  
Year/Month

2022-12



NOTE



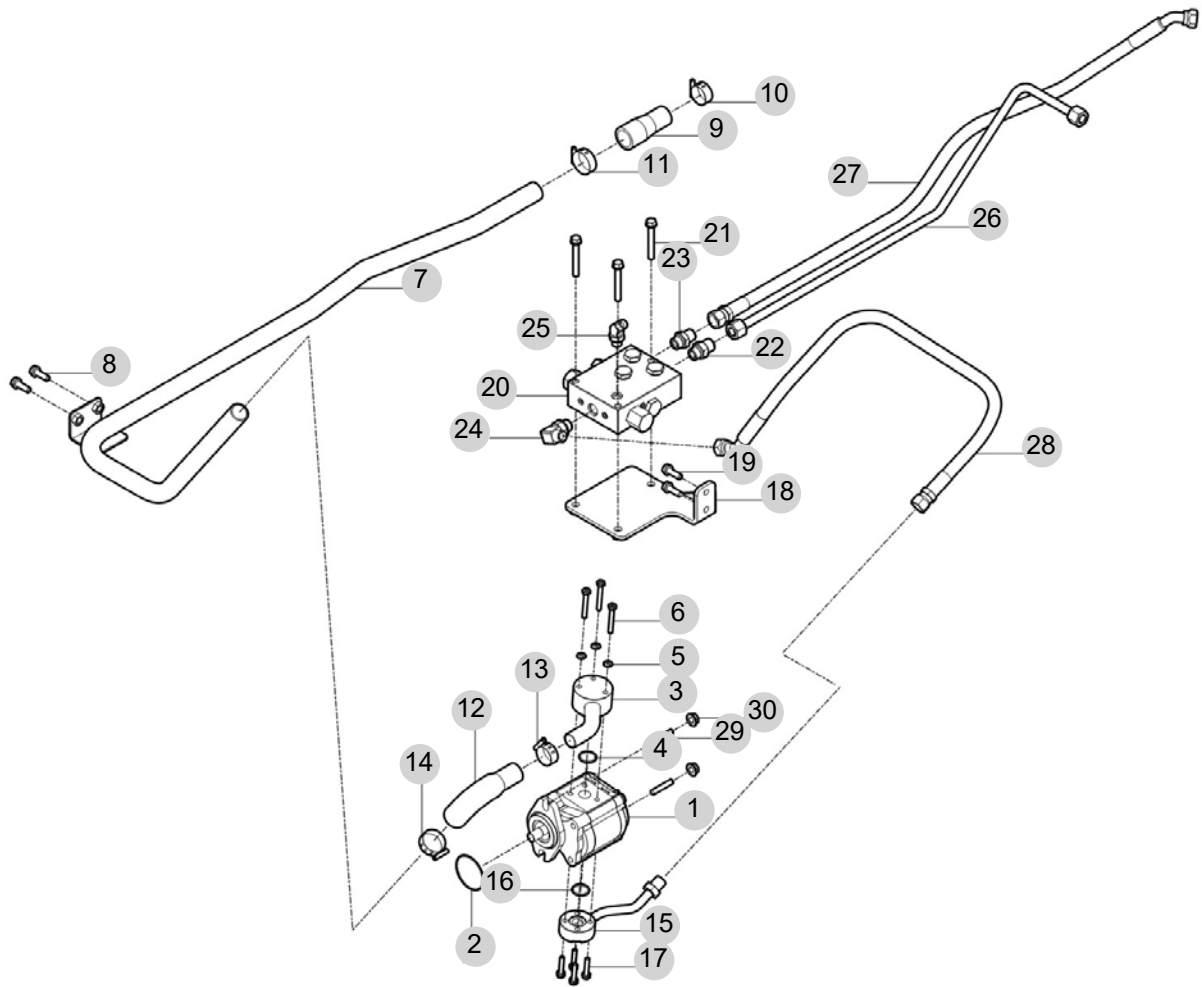
FIG 605

T255NHEU

HYDRAULIC SUB

년/월  
Year/Month

2022-12



NOTE



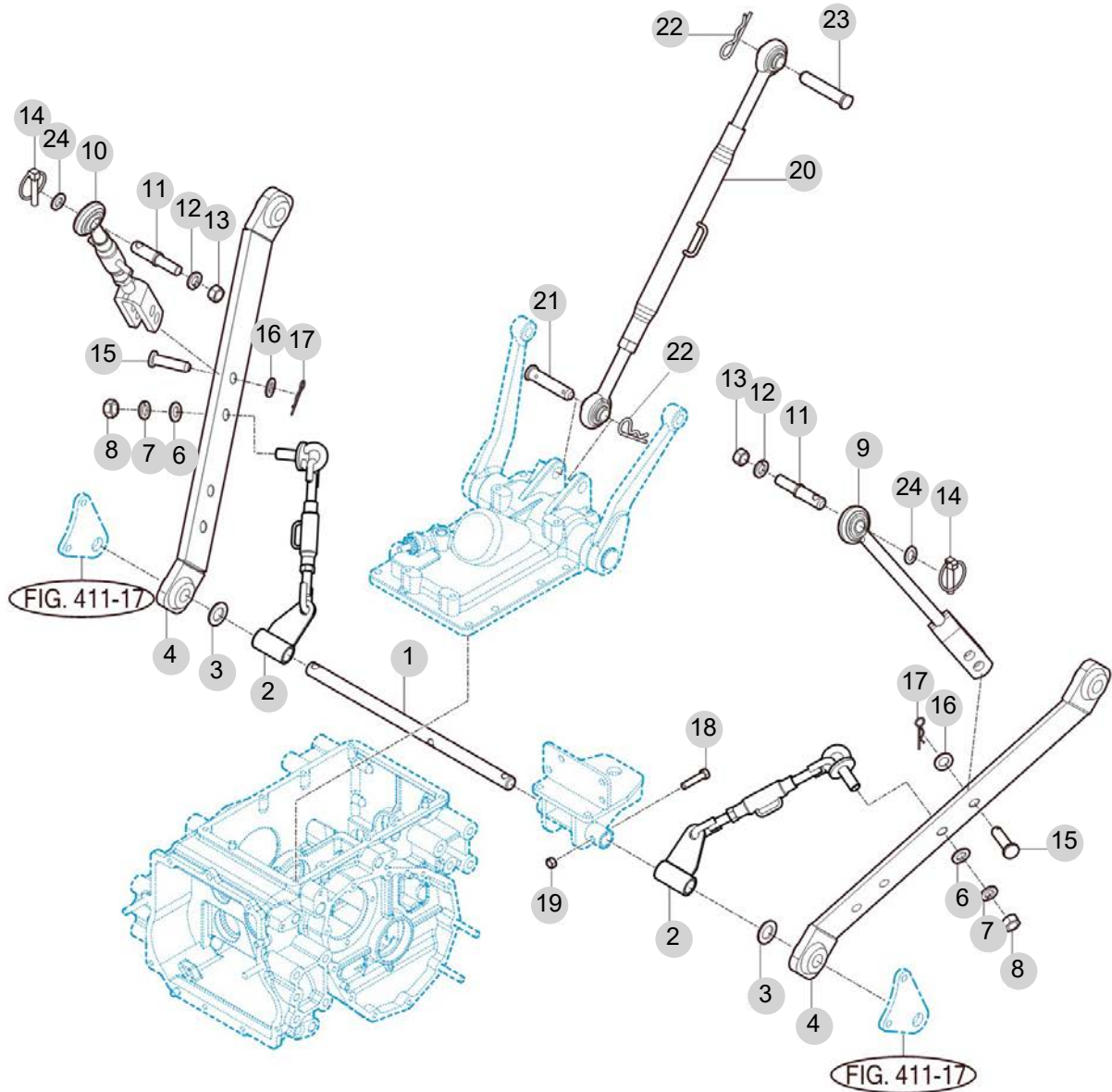
FIG 606

HITCH & 3-POINT LINKAGE

년/월  
Year/Month

2022-12

T255NHEU



NOTE



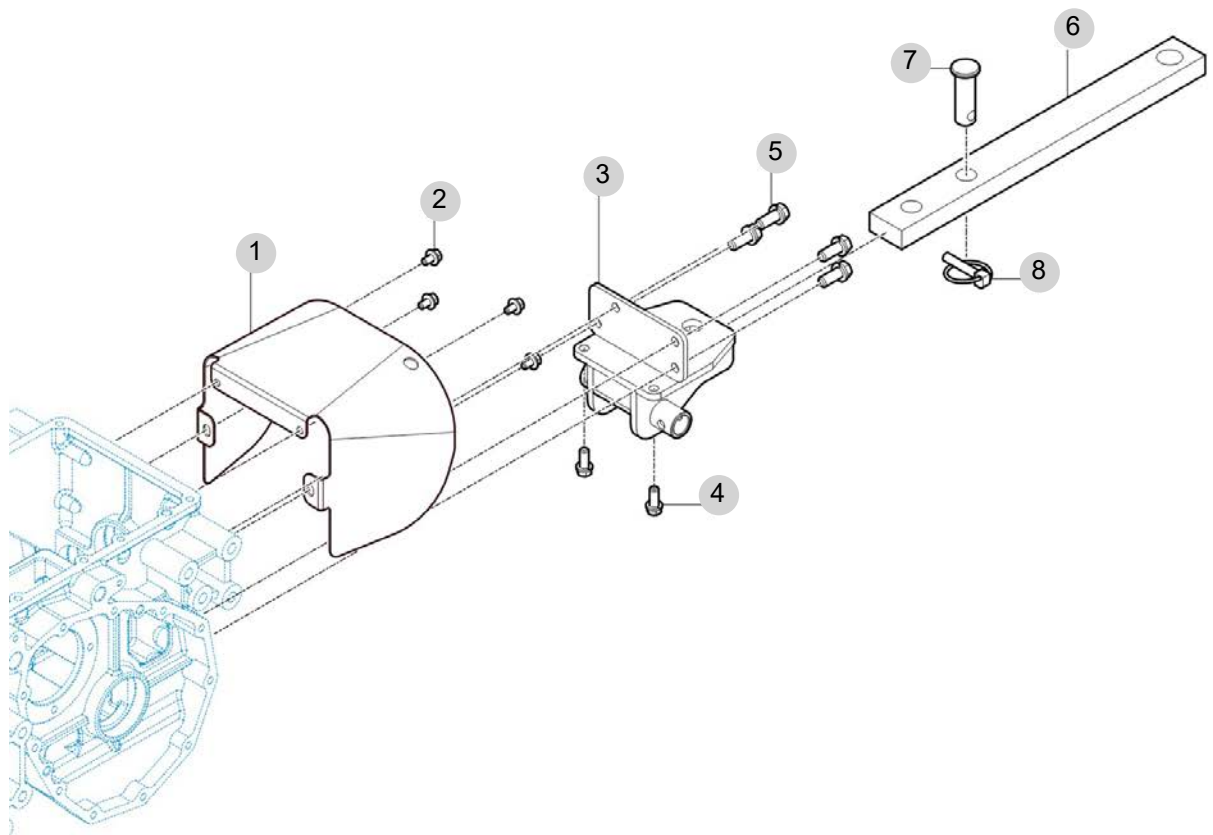
FIG 607

T255NHEU

HITCH & COVER

년/월  
Year/Month

2022-12



NOTE





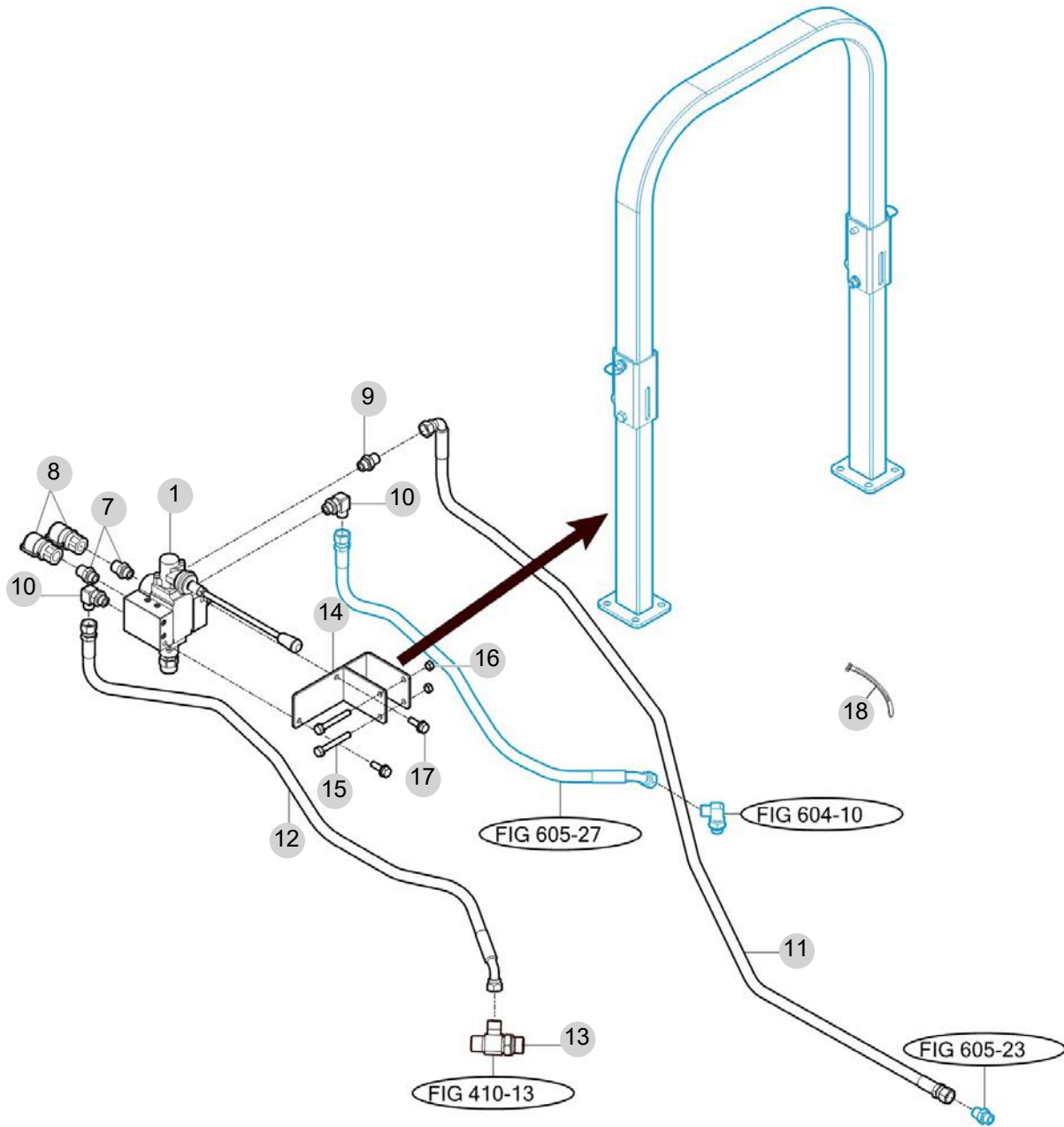
FIG 608

T255NHEU

AUXILIARY VALVE

년/월  
Year/Month

2022-12



NOTE



## 7. 시트메탈/캐빈 PART NO. T7

FIG 701 BONNET (1)	141
FIG 701-2 BONNET (2)	143
FIG 702 FLOOR	145
FIG 703 SEAT	147
FIG 704 ROPS	149
FIG 705 LEVER COVER & FENDER	151
FIG 706 LAMP	153

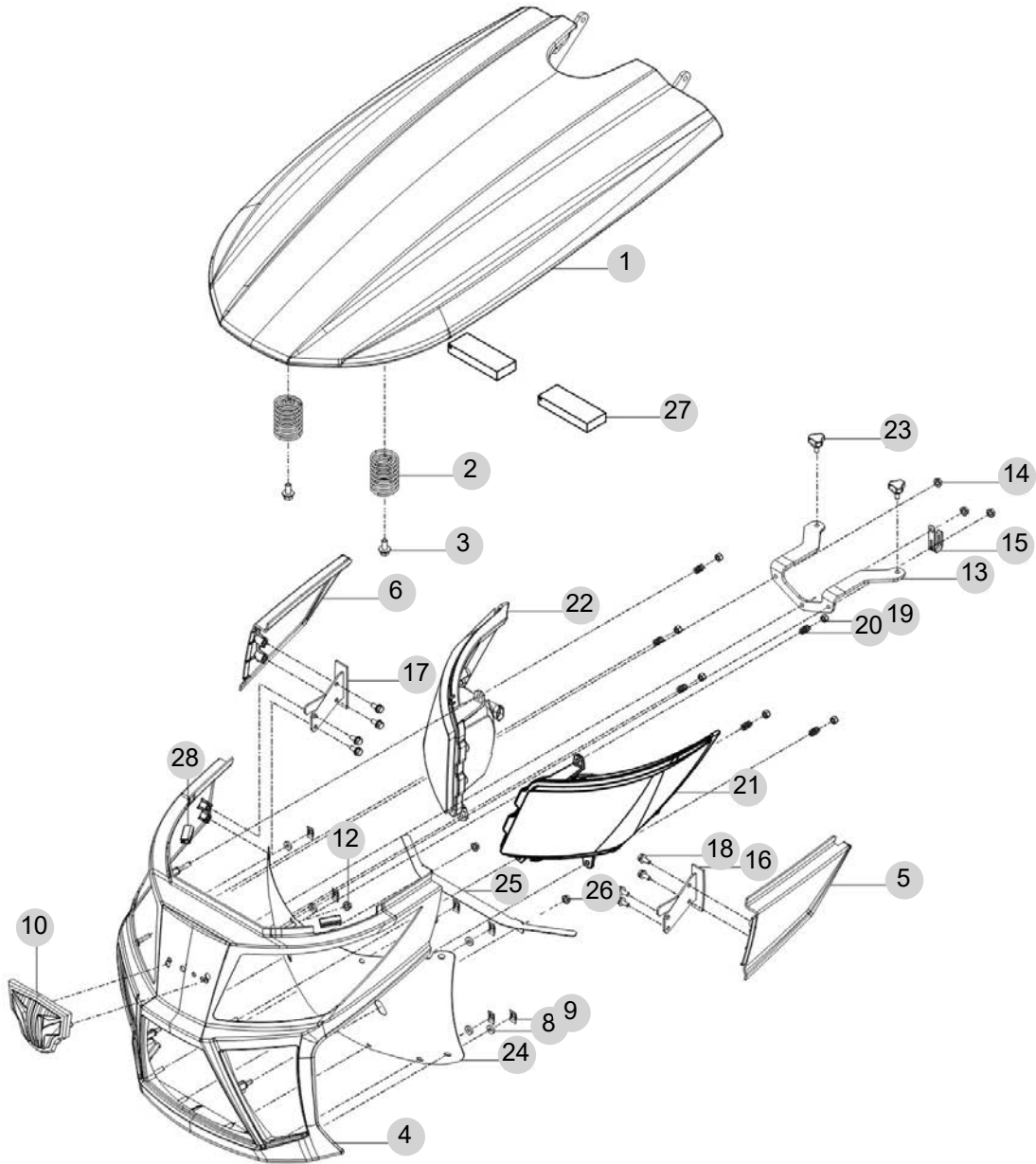
FIG 701

T255NHEU

BONNET (1)

년/월  
Year/Month

2022-12



NOTE



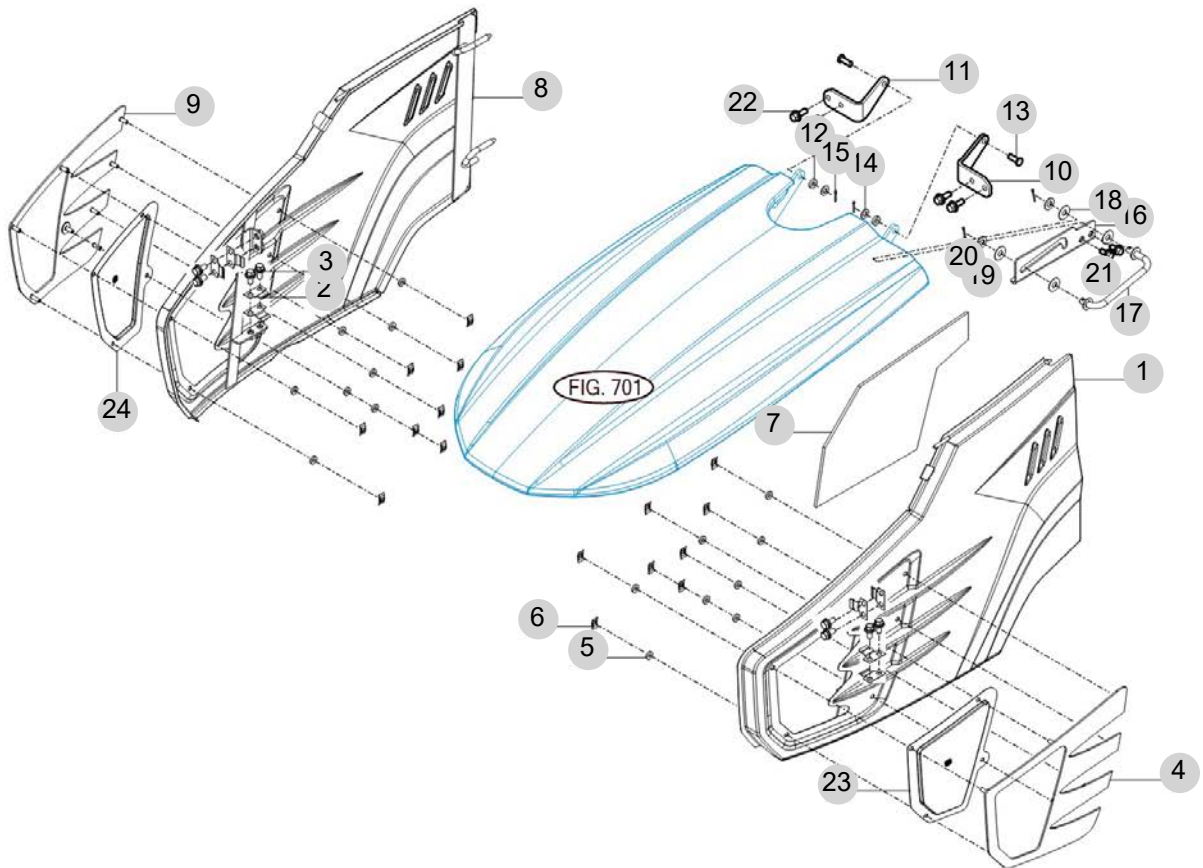
FIG 701-2

T255NHEU

BONNET (2)

년/월  
Year/Month

2022-12



NOTE





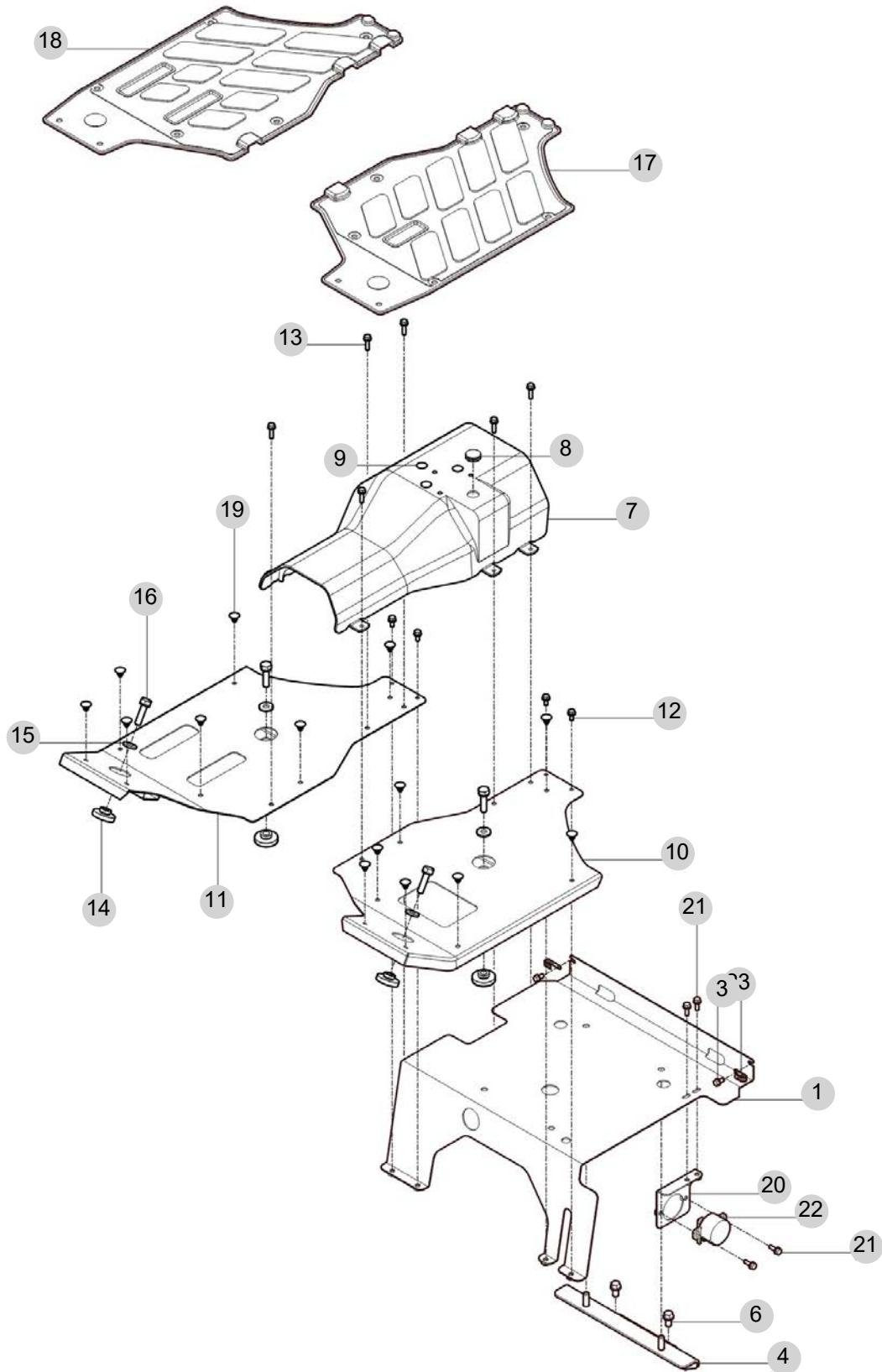
FIG 702

T255NHEU

FLOOR

년/월  
Year/Month

2022-12



NOTE



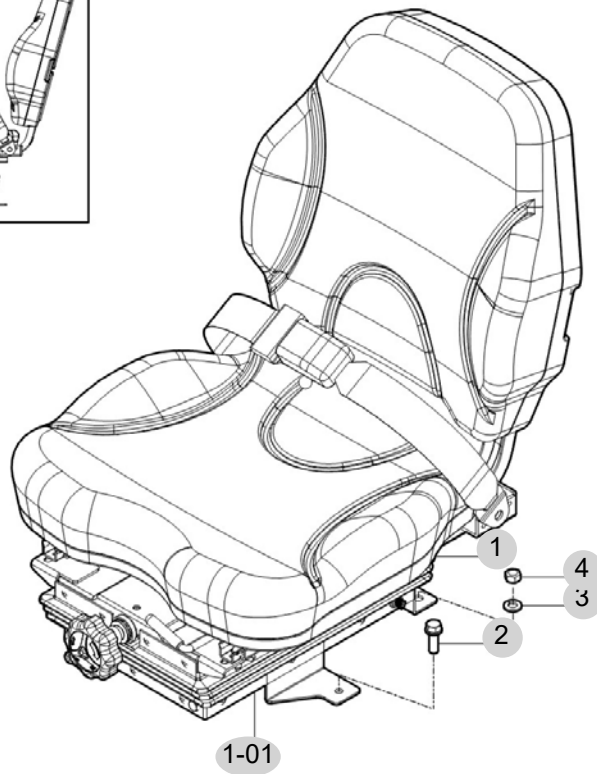
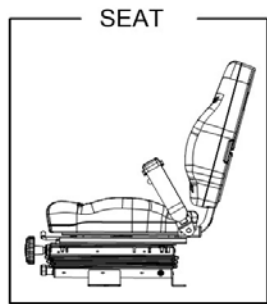
FIG 703

T255NHEU

SEAT

년/월  
Year/Month

2022-12



NOTE



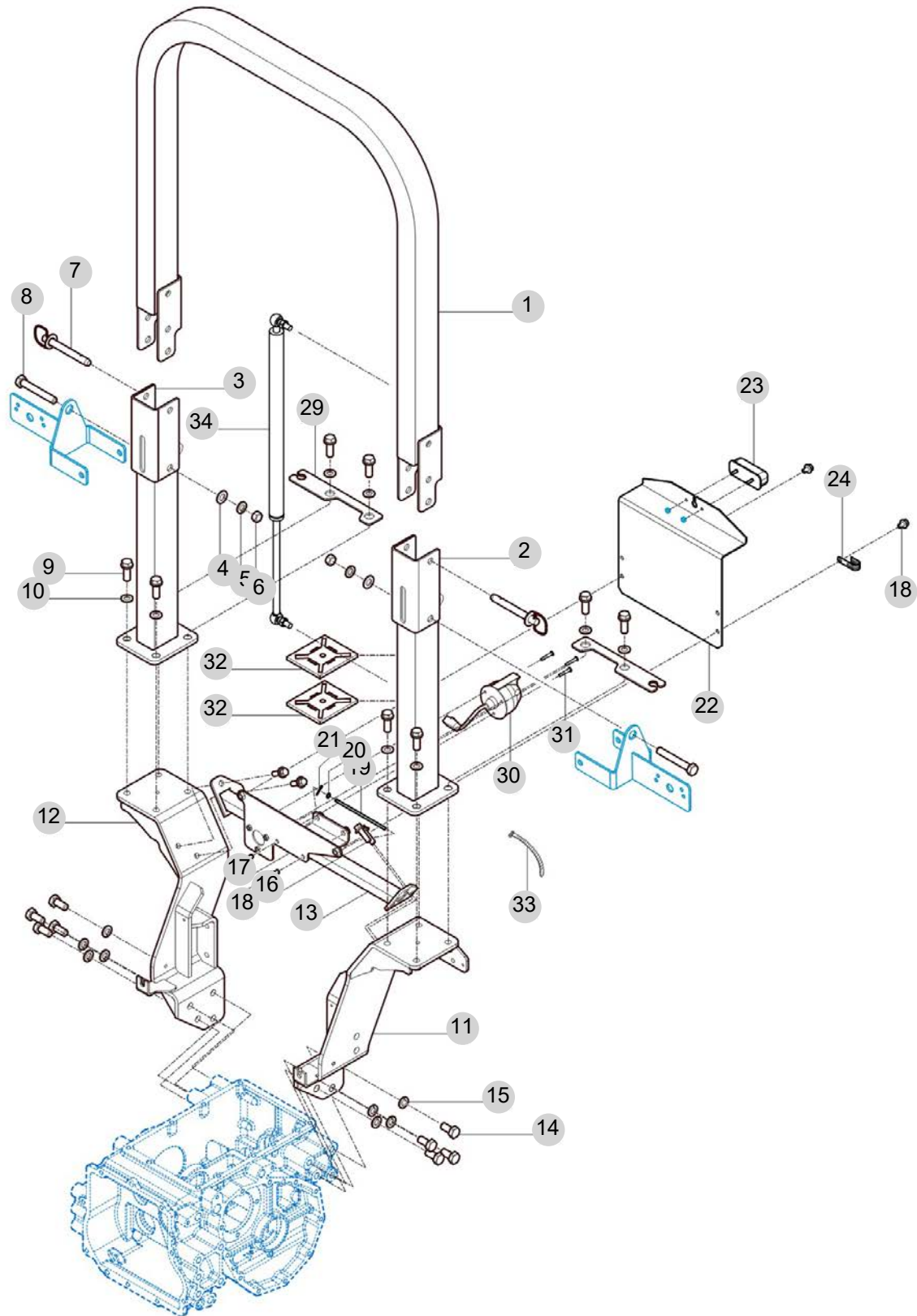
FIG 704

T255NHEU

ROPS

년/월  
Year/Month

2022-12



NOTE



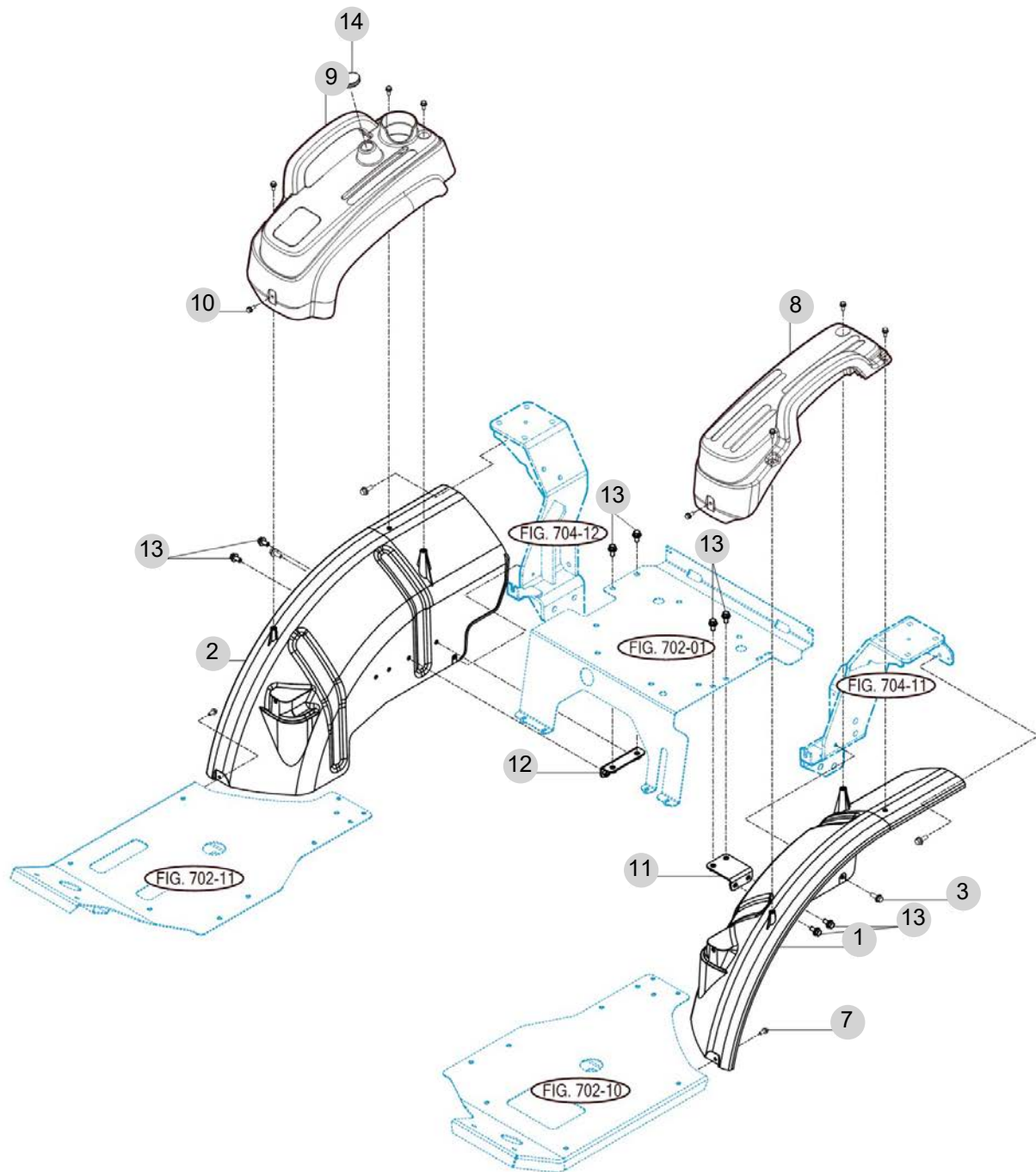
FIG 705

T255NHEU

LEVER COVER & FENDER

년/월  
Year/Month

2022-12



NOTE





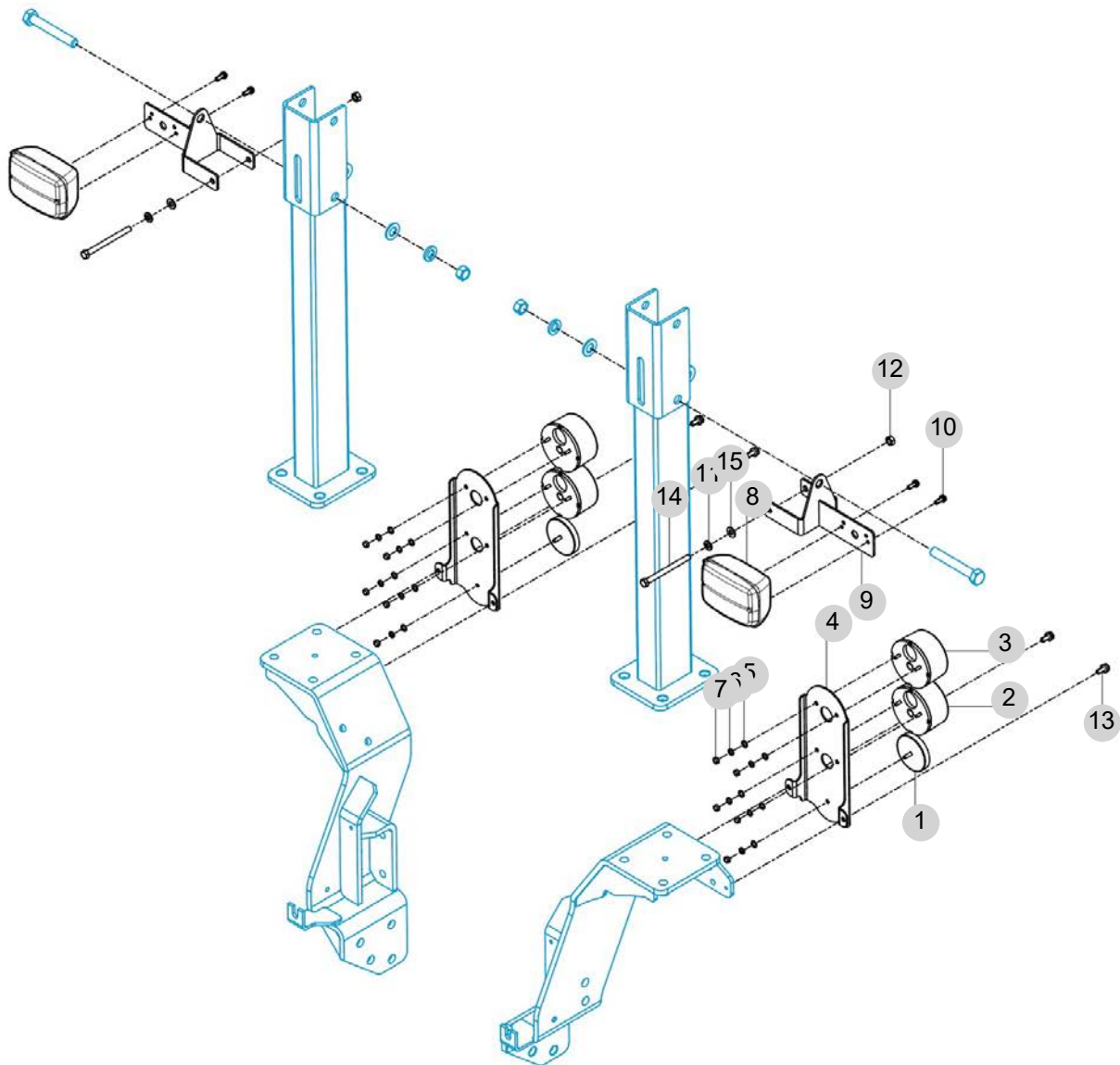
FIG 706

T255NHEU

LAMP

년/월  
Year/Month

2022-12



NOTE



## 8. 전장 PART NO. T8

FIG 801 BATTERY MOUNTING	156
FIG 802 INSTRUMENT PANEL	158
FIG 803 HARNESS (1)	160
FIG 804 HARNESS (2)	162

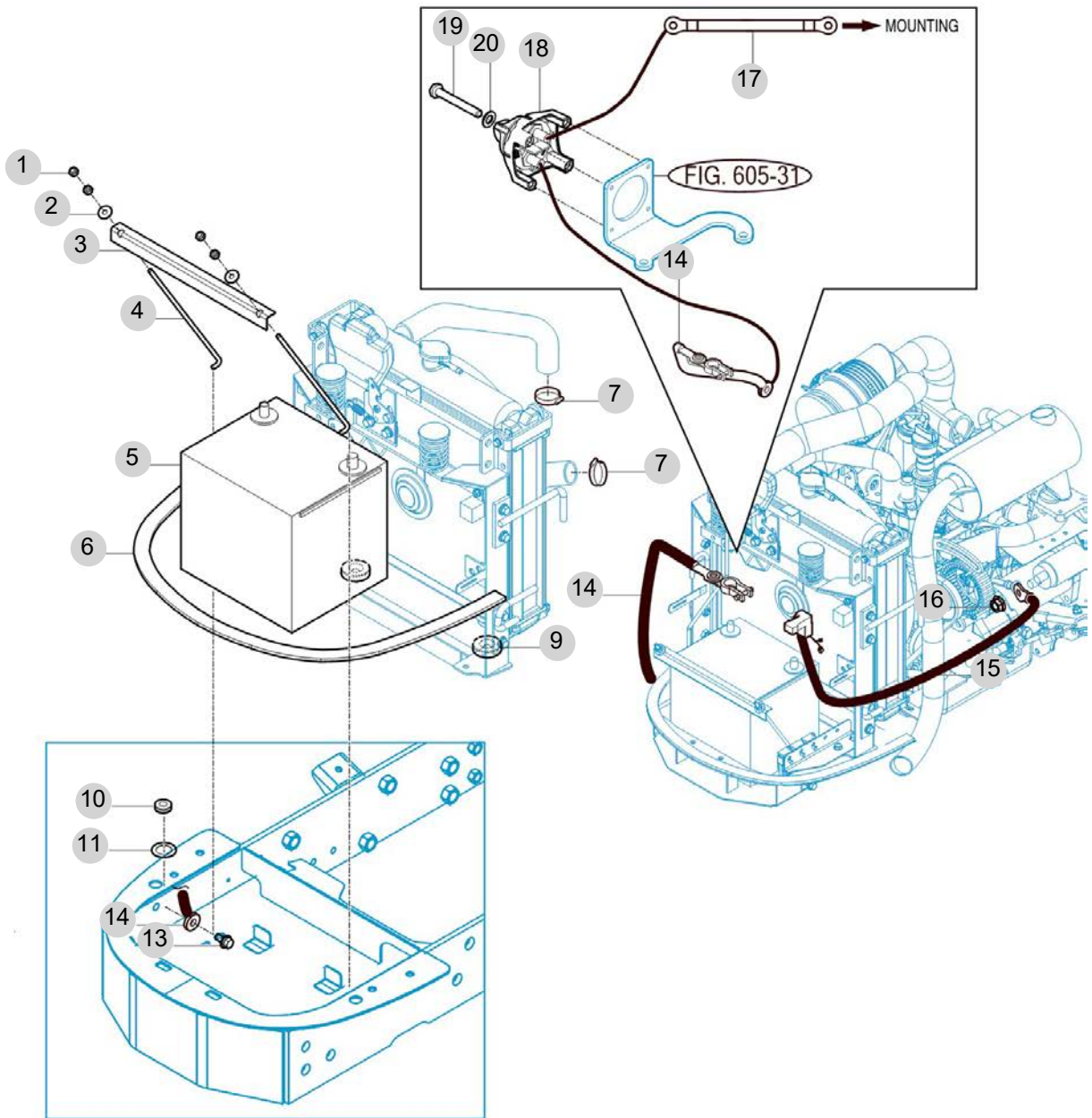
FIG 801

T255NHEU

# BATTERY MOUNTING

년/월  
Year/Month

2022-12



NOTE



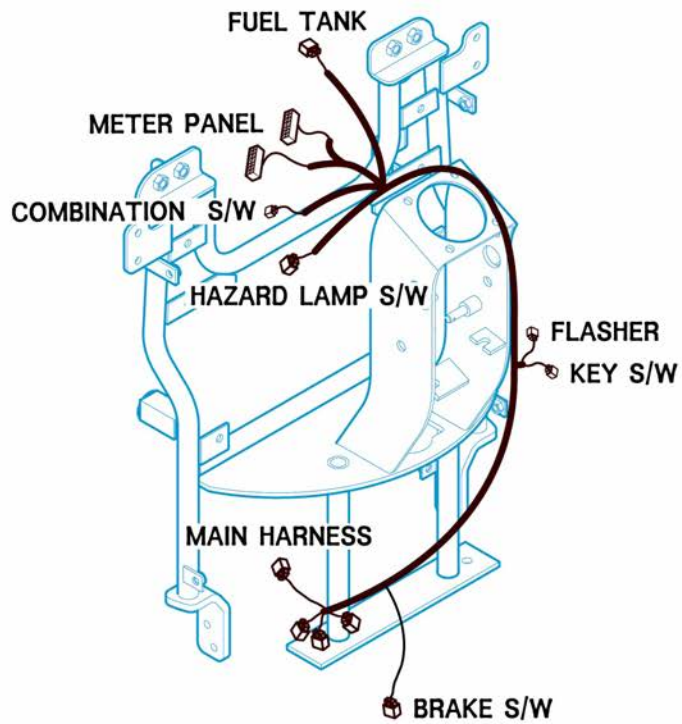
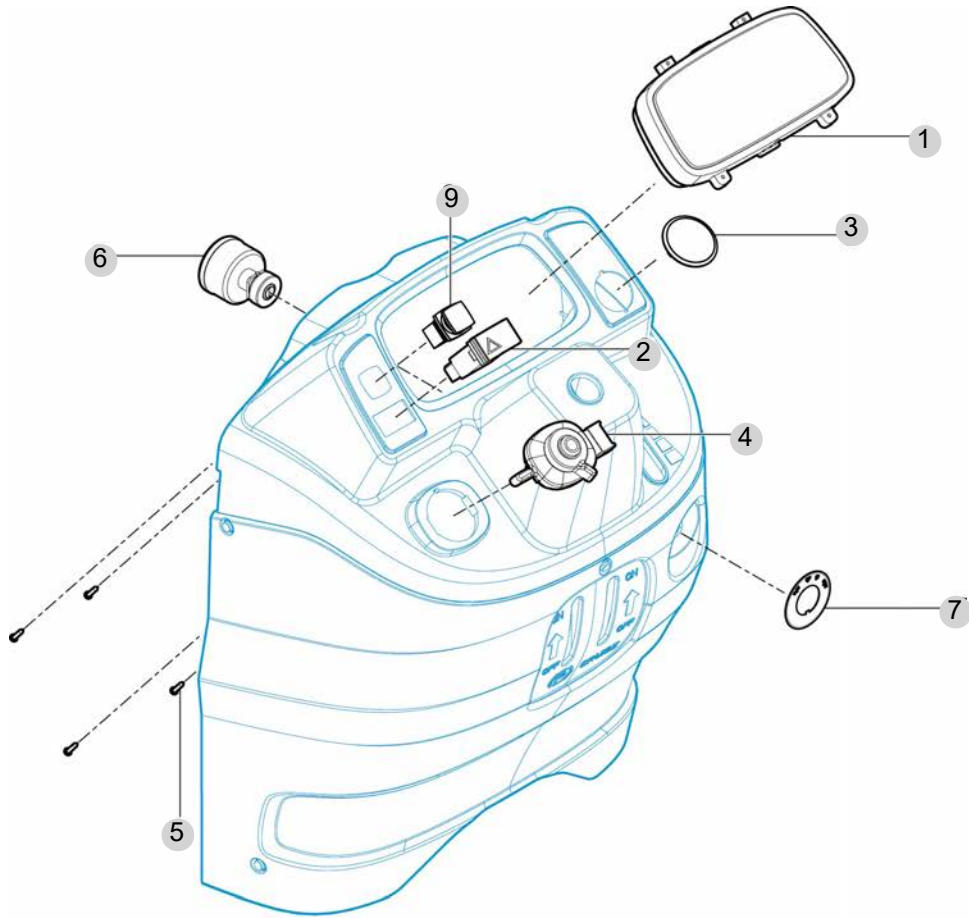
FIG 802

INSTRUMENT PANEL

년/월  
Year/Month

2022-12

T255NHEU



NOTE



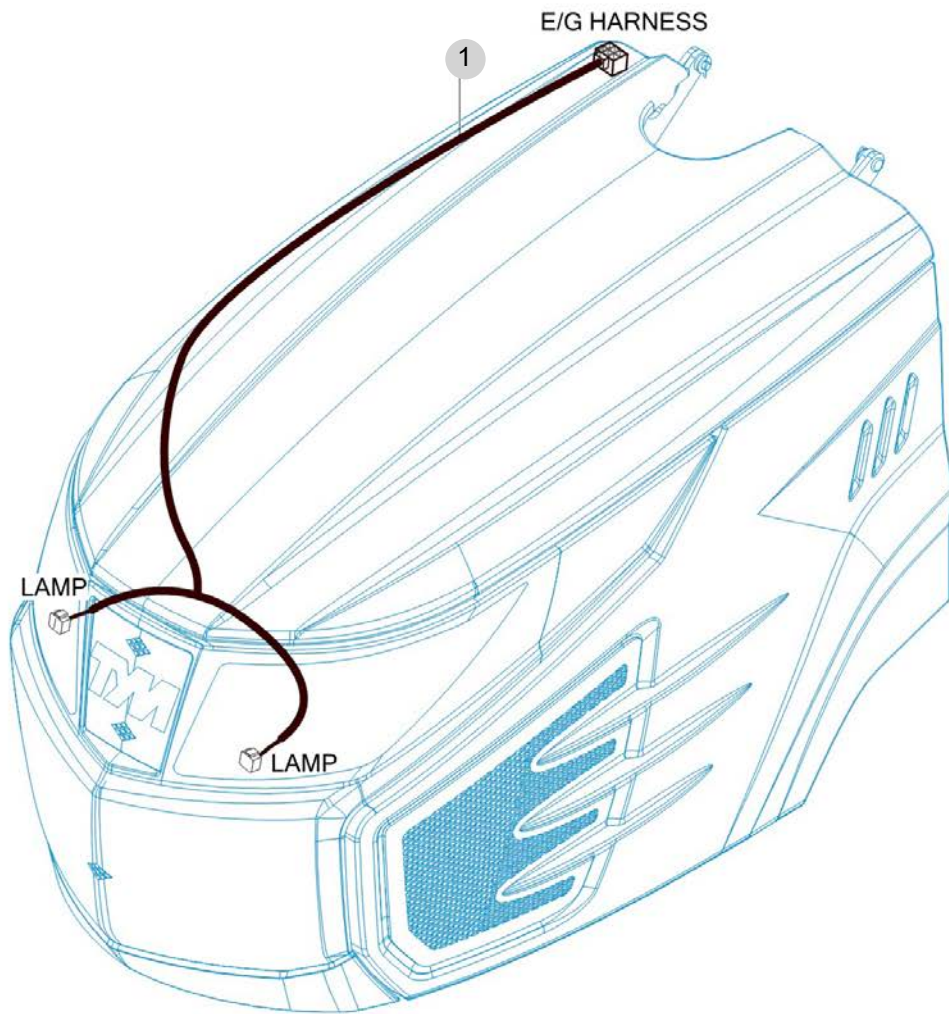
FIG 803

T255NHEU

HARNESS (1)

년/월  
Year/Month

2022-12



NOTE





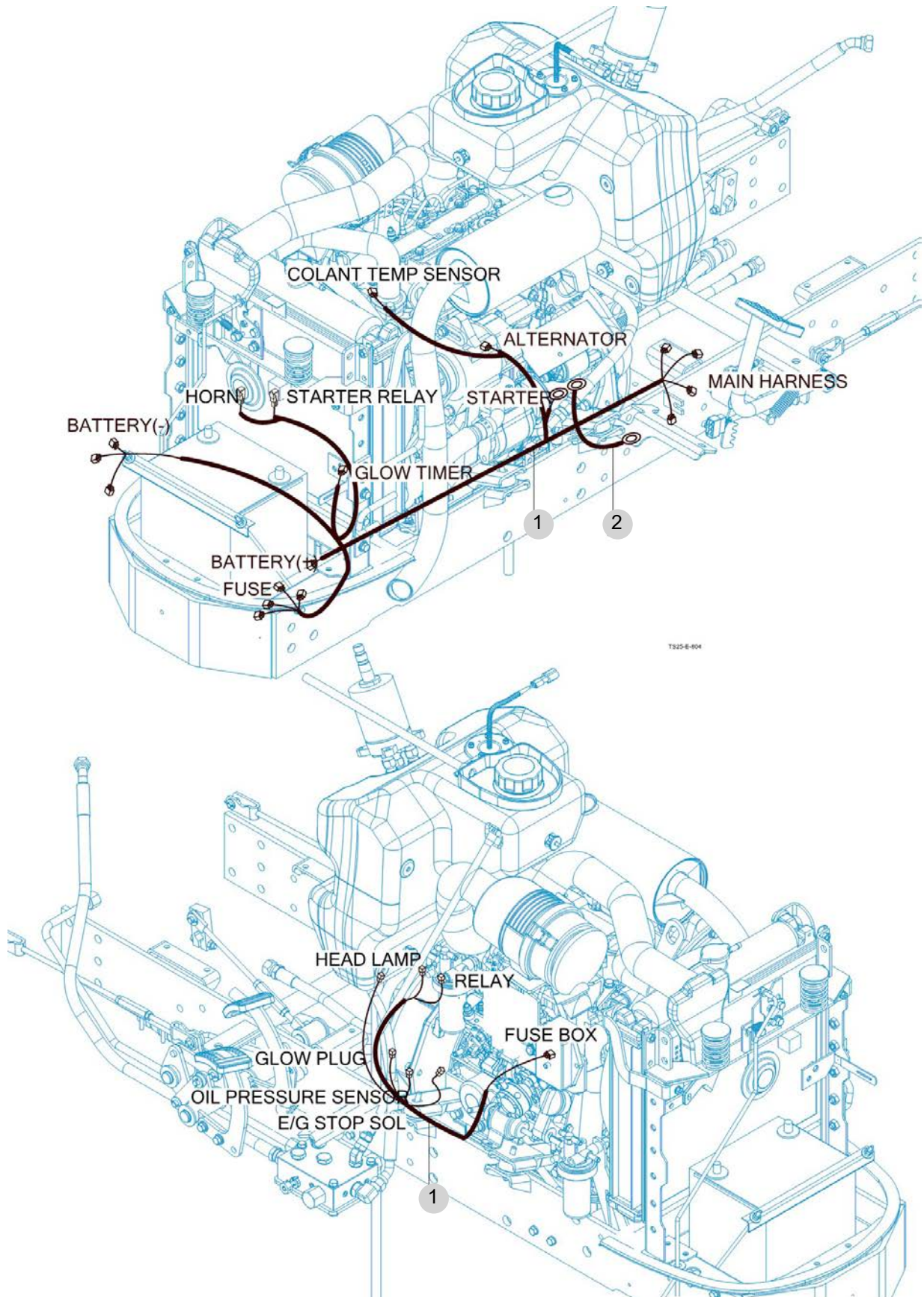
FIG 804

HARNESS (2)

년/월  
Year/Month

2022-12

T255NHEU



NOTE



## 9. 라벨/옵션 PART NO. T9

FIG 805 HARNESS (3)	165
FIG 901 TOOL & ACCESSORY	167
FIG 902 WEIGHT	169
FIG 903 LABEL (1)	171
FIG 904 LABEL (2)	173

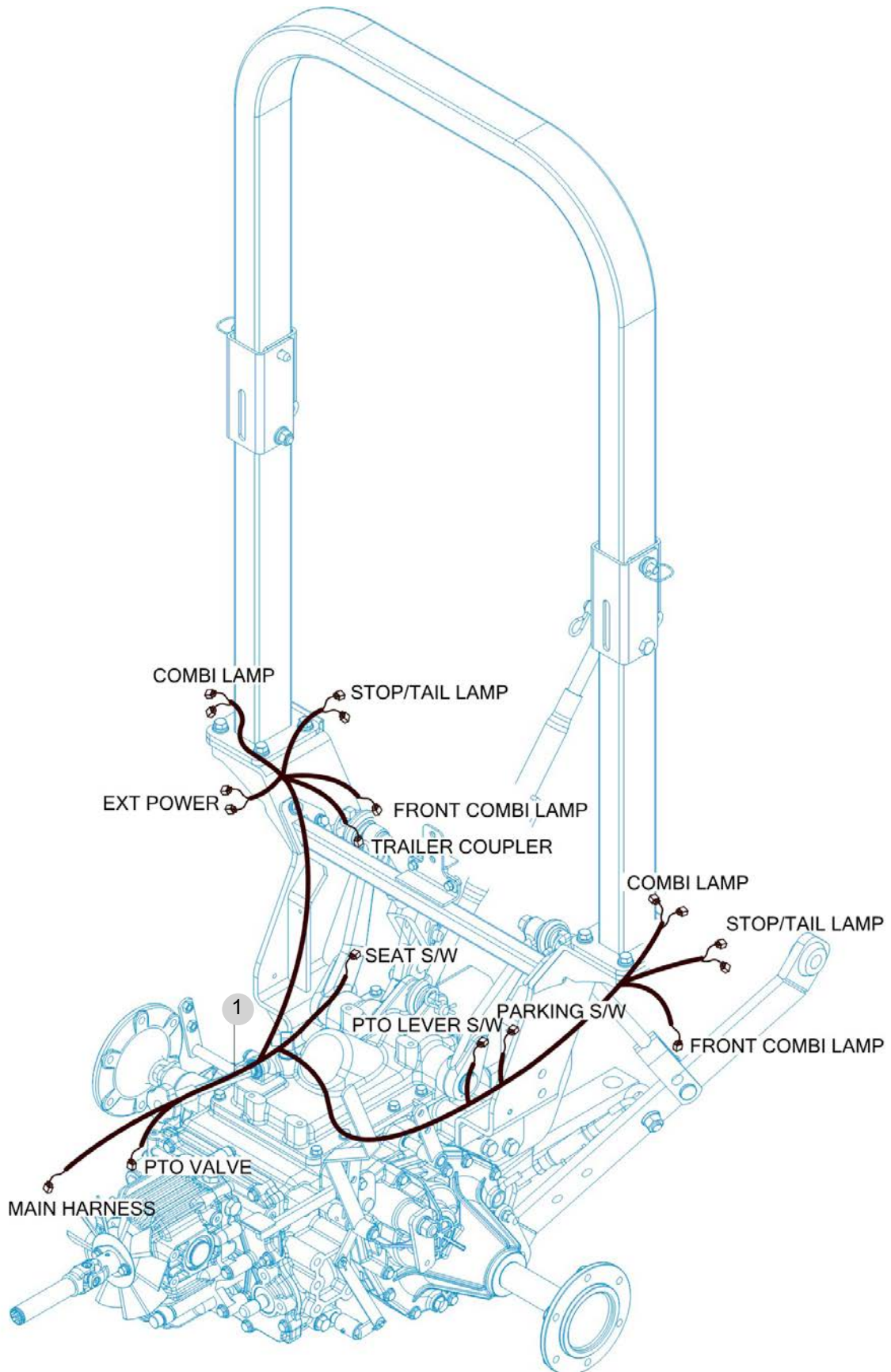
FIG 805

HARNESS (3)

년/월  
Year/Month

T255NHEU

2022-12



NOTE



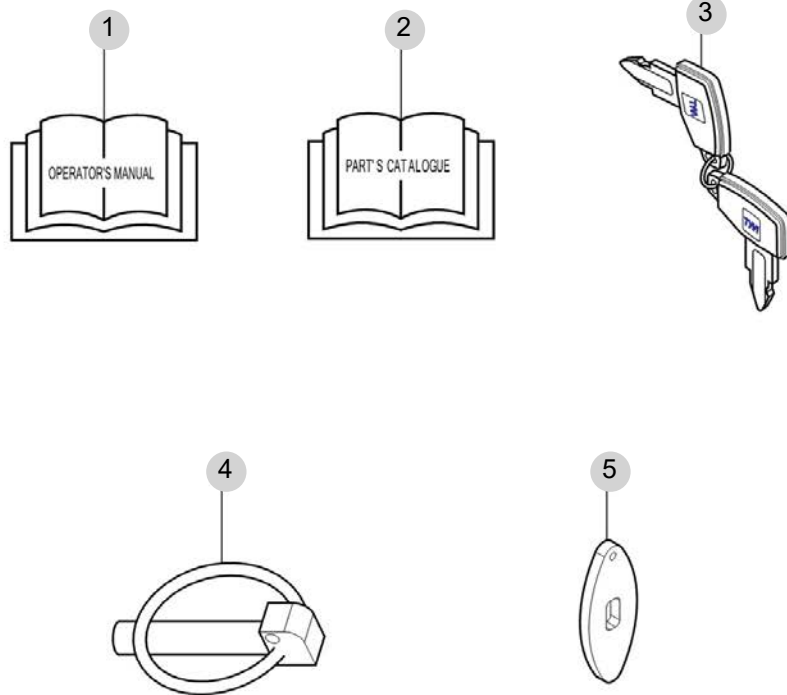
FIG 901

T255NHEU

TOOL & ACCESSORY

년/월  
Year/Month

2022-12



NOTE

<b>FIG 901</b> T255NHEU			<b>TOOL &amp; ACCESSORY</b>				년/월 Year/Month	
							2022-12	
KEY NO	PART NO	DESCRIPTION	SPEC	QTY	REPAIR	EFFECTIVE DATE	REMARKS	
901	1	14329120020	사용설명서 (T255NHEU)	1				
901	1	14329120021	사용설명서 (T255NHEU)	1				
901	2	14329120030	부품목록	1				
901	3	14527078721	키 SET , TYM	1				
901	3	12147078721	키 SET	1				
901	4	14215020020	링크핀	2				
901	5	12136213210	키 , 본넷 오픈	1				
<b>NOTE</b>								



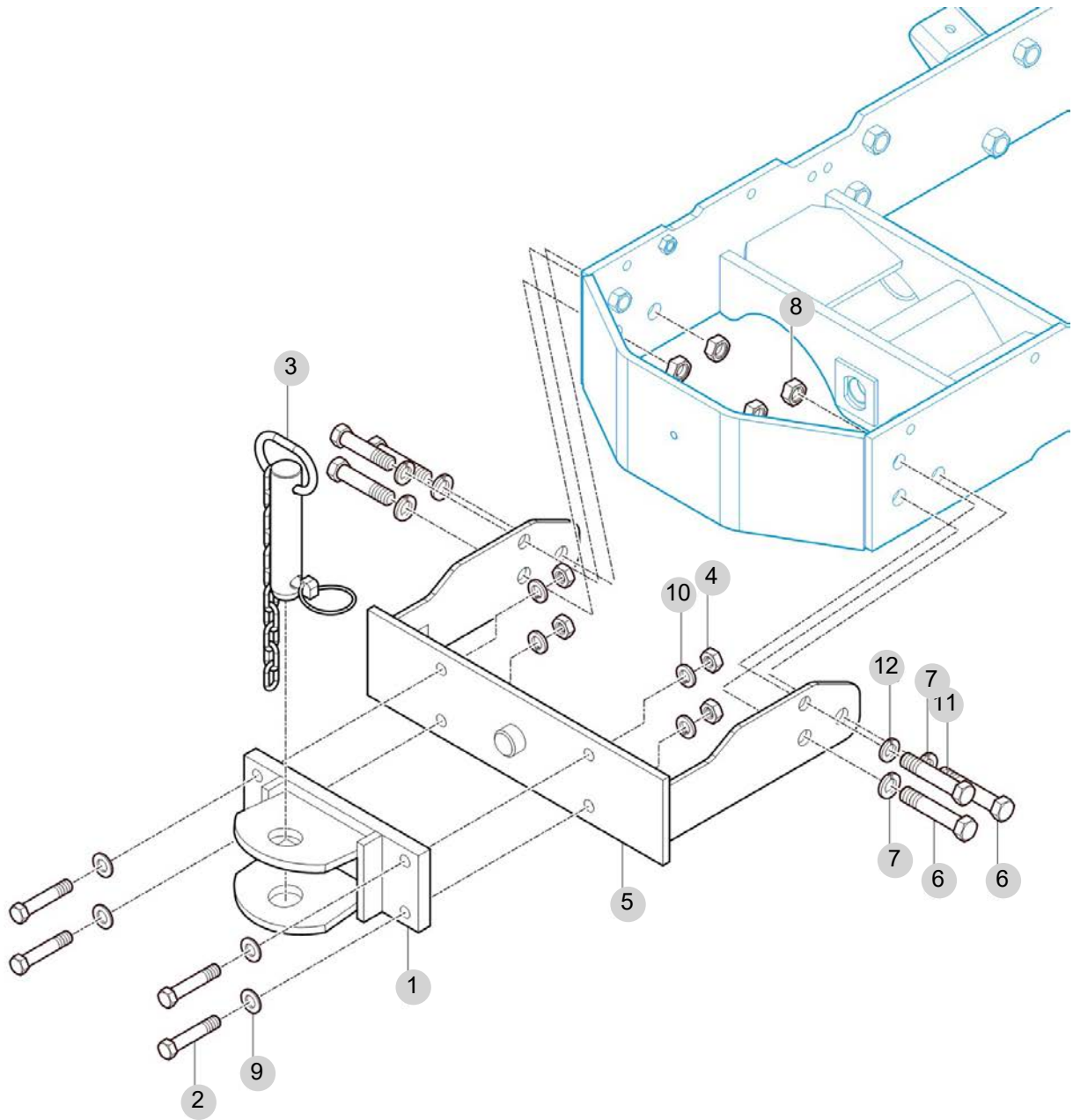
FIG 902

T255NHEU

WEIGHT

년/월  
Year/Month

2022-12



NOTE



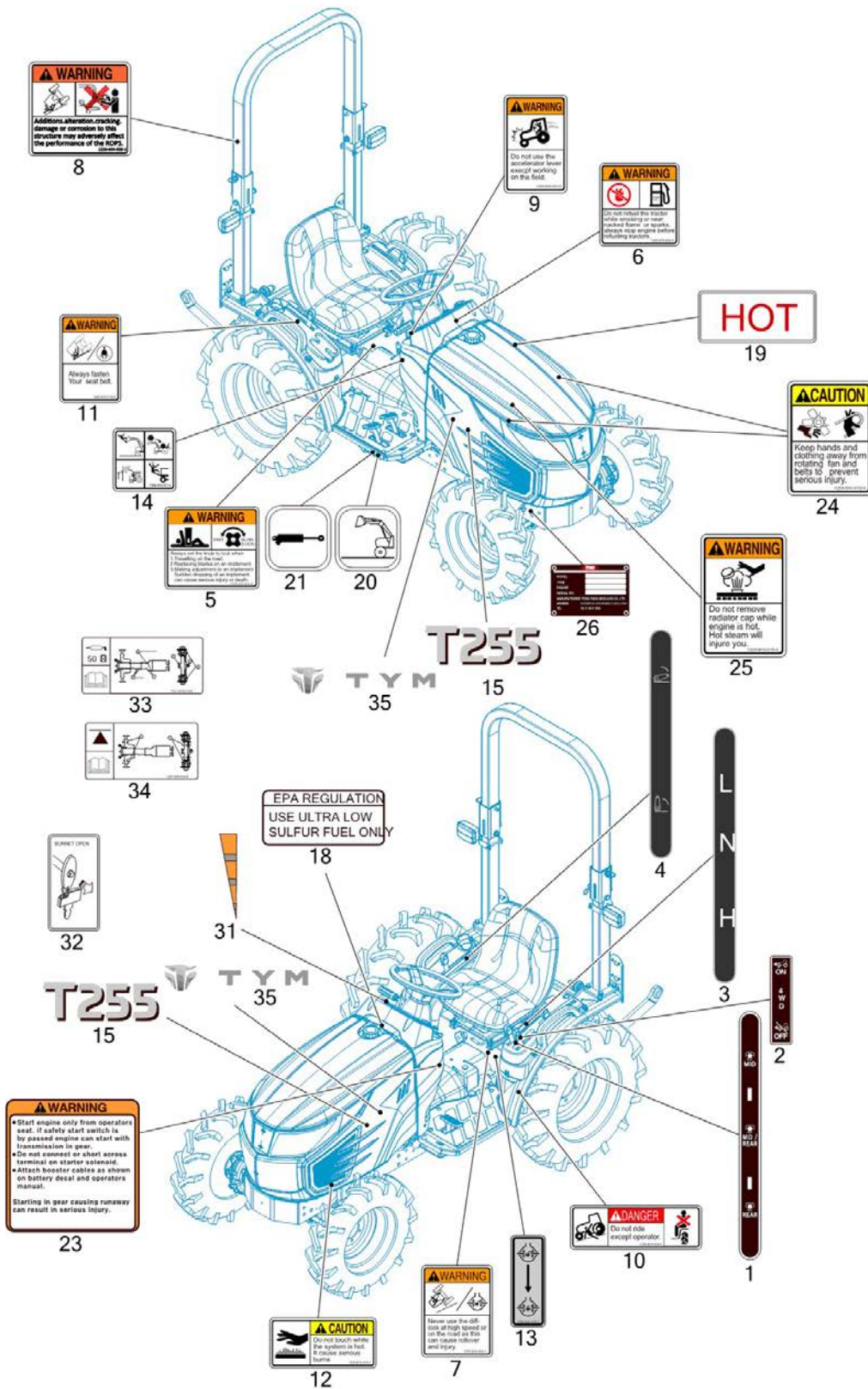
FIG 903

T255NHEU

LABEL (1)

년/월  
Year/Month

2022-12



NOTE



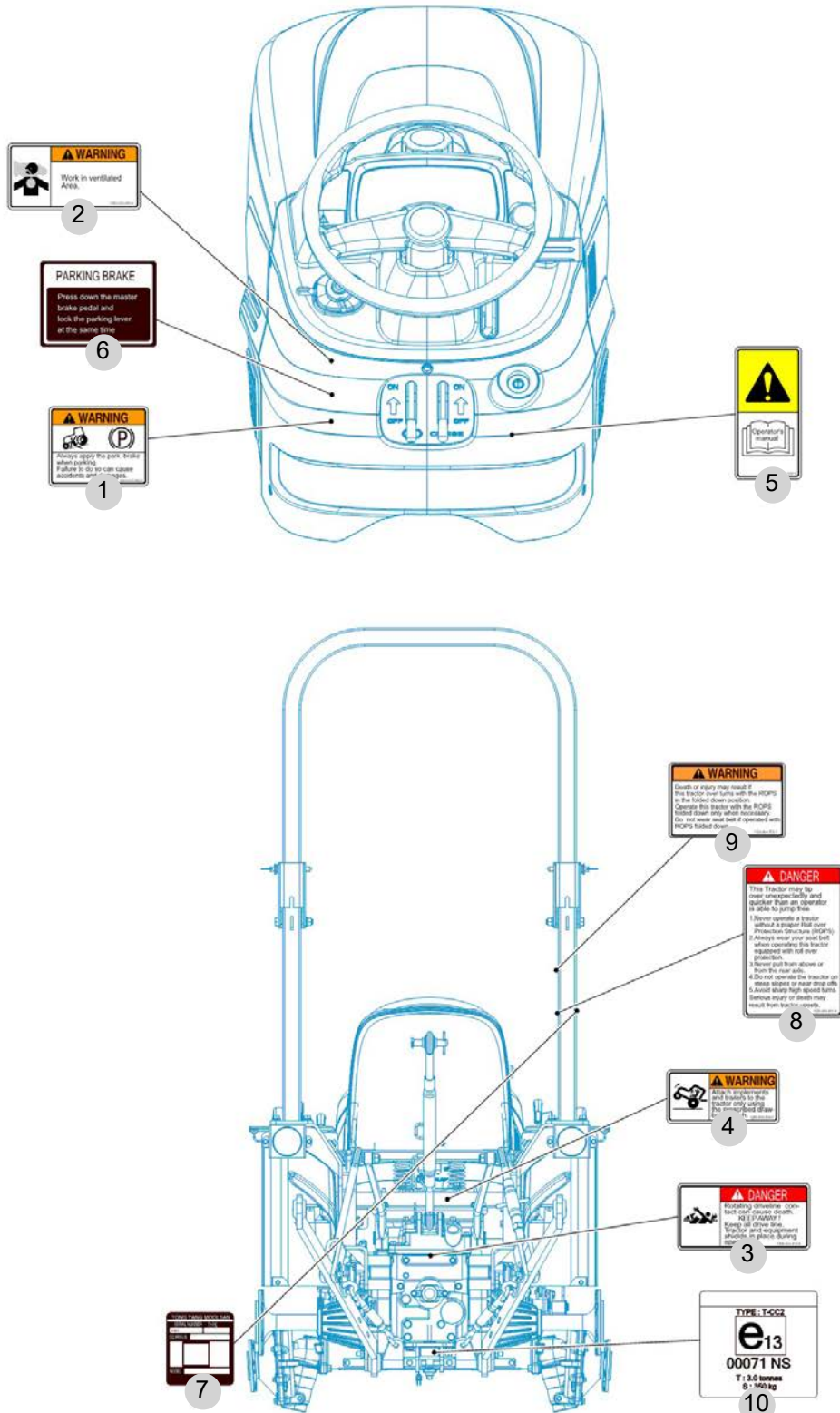
FIG 904

T255NHEU

LABEL (2)

년/월  
Year/Month

2022-12



NOTE

