

3620H(AC02104) TRACTOR

Parts Catalogue



# CONTENTS

GROUP NO	GROUP NAME	PAGE
G. ENGINE		
A01_004	CYLINDER BLOCK	4
A02_005	DRIVE PULLY	6
A03_002	CRANK SHAFT PULLEY	8
A04_004	GLOW PLUG ASS'Y OPTION	10
A05_003	CRANK SHAFT ASS'Y OPTION	12
A06_002	BREATHER OPTION	14
A07_002	CAMSHAFT	16
A08_003	ALTERNATOR	18
A09_003	COOLING WATER PUMP	20
A10_003	COOLING FAN SPACER	22
A11_005	INJECTOR	24
A12_006	FUEL INJECTON	26
A13_002	PLUMBING, FUEL	28
A14_001	FUEL FILTER BRACKET	30
A16_018	FUEL FILTER ASS'Y OPTION	32
A17_005	INTAKE MANIFOLD ASS'Y OPTION	34
A18_005	FLYWHEEL	36
A19_005	FLYWHEEL HOUSING	38
A20_007	HEAD, CYLINDER	40
A21_002	HEAD COVER	42
A23_003	TURBOCHARGER SUPPORT ASS'Y OPTION	44
A26_001	COOLER, ENGINE OIL	46
A27_004	OIL PAN ASS'Y OPTION	48
A28_001	PUMP, LUBRICATING OIL	50
A29_005	FILTER, LUBRICATING OIL	52
A30_003	FRONT GEAR ACCESSORY DRIVE	54
A31_003	PISTON	56
A32_002	LEVER, LOCKER	58
A33_006	EXHAUST MANIFOLD	60
A35_002	IDLE GEAR	62
A36_002	COVER, FRONT GEAR	64
A38_004	GAUGE, OIL LEVEL	66
A39_001	OIL FILLER CAP	68
A40_003	LIFT ASS'Y OPTION	70

# CONTENTS

GROUP NO	GROUP NAME	PAGE
G. ENGINE		
A42_003	MOTER, STARTIONS	72
A43_001	DPF SUPPORT OPTION	74
A44_003	DPF MOUNTING OPTION	76
A45_012	DPF	78
A48_006	V-BELT	80
F. TRANSMISSION		
F01011	FLY WHEEL HOUSING	82
F01030	HOUSING, REAR AXLE	84
F01040	REAR AXLE CASE	86
F01050	HST HOUSING	88
F01060	PTO COVER	90
F03030	HST GEAR	92
F03040	RANGE SHIFT DRIVE SHAFT	94
F03050	RANGE SHIFT DRIVEN SHAFT	96
F04010	FRONT WHEEL DRIVE SHAFT	98
F04030	FRONT WHEEL DRIVE IDLE SHAFT	100
F05020	REAR DIFFERNTIAL	102
F06030	BRAKE	105
F06031	SUPPORT, BRAKE	107
F06033	BRAKE LINK	109
F07030	PTO DRIVE SHAFT	111
F07050	PTO VALVE	113
F07070	PTO SHAFT	115
F08022	RANGE SHIFT FORK	117
F10010	CASE, HYD CYLINDER	119
F10020	LIFT ARM	121
F10030	SAFETY VALVE	123
F10040	STOP VALVE	125
F10064	POSITION CONTROL LEVER	127
F10070	SHAFT, CONTROL LEVER	129
F10100	TOP LINK	131
F10120	REAR SCV	133
F11020	RANGE SHIFT LEVER	136
F11030	LEVER ASS'Y, PTO SPEED CHANGE	138

# CONTENTS

GROUP NO	GROUP NAME	PAGE
F. TRANSMISSION		
F11080	4WD LEVER	140

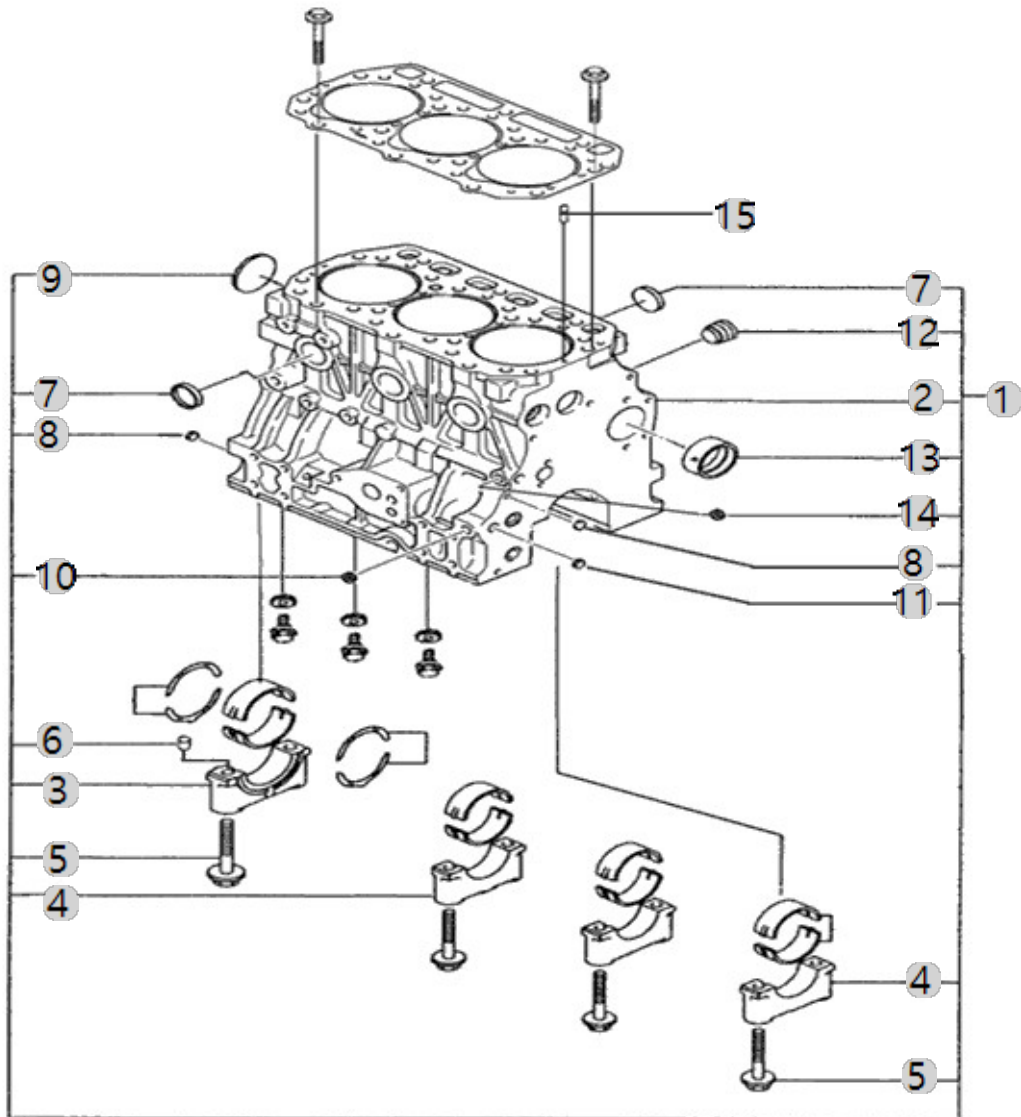
A01\_004

A1700N2-UTR\_4  
(AB00132)

# CYLINDER BLOCK

Year/Month

2022-12-15





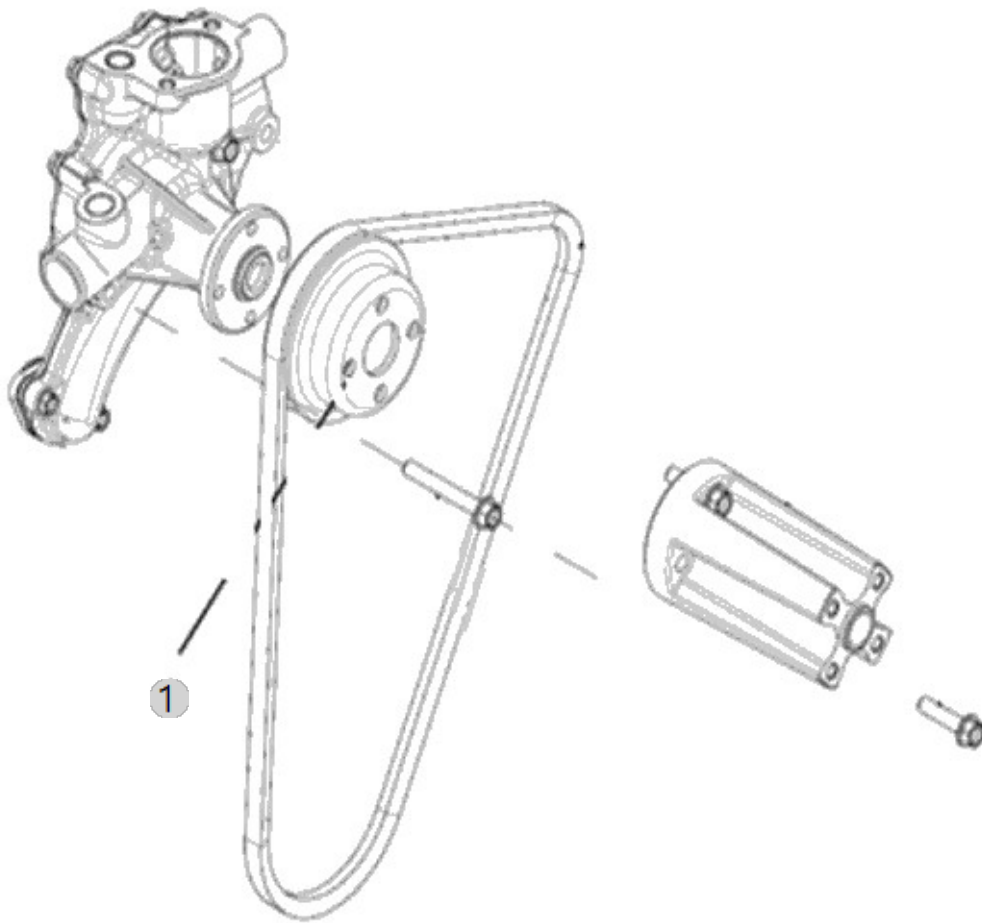
A02\_005

A1700N2-UTR\_4  
(AB00132)

# DRIVE PULLEY

Year/Month

2022-12-15







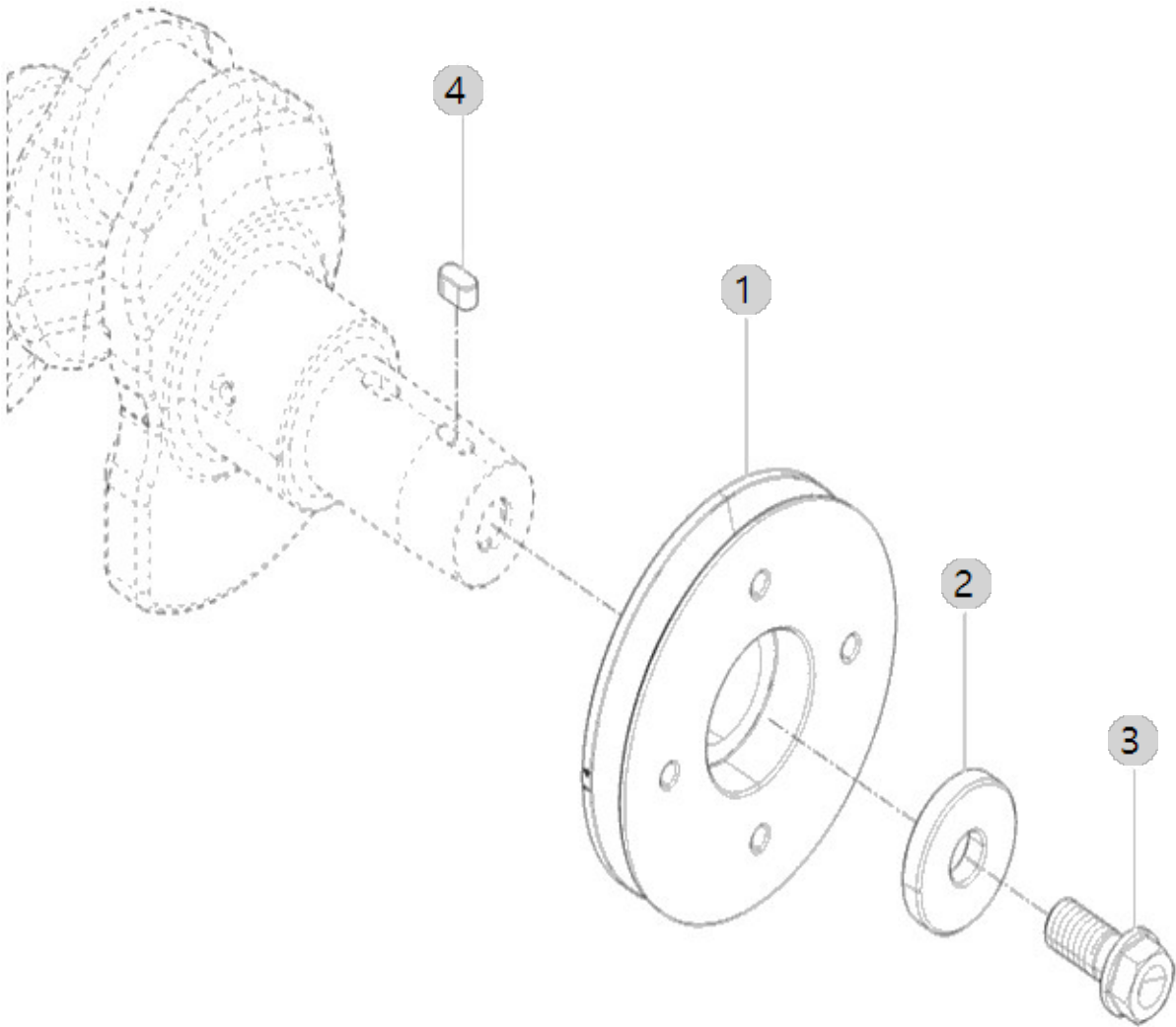
A03\_002

A1700N2-UTR\_4  
(AB00132)

# CRANK SHAFT PULLEY

Year/Month

2022-12-15





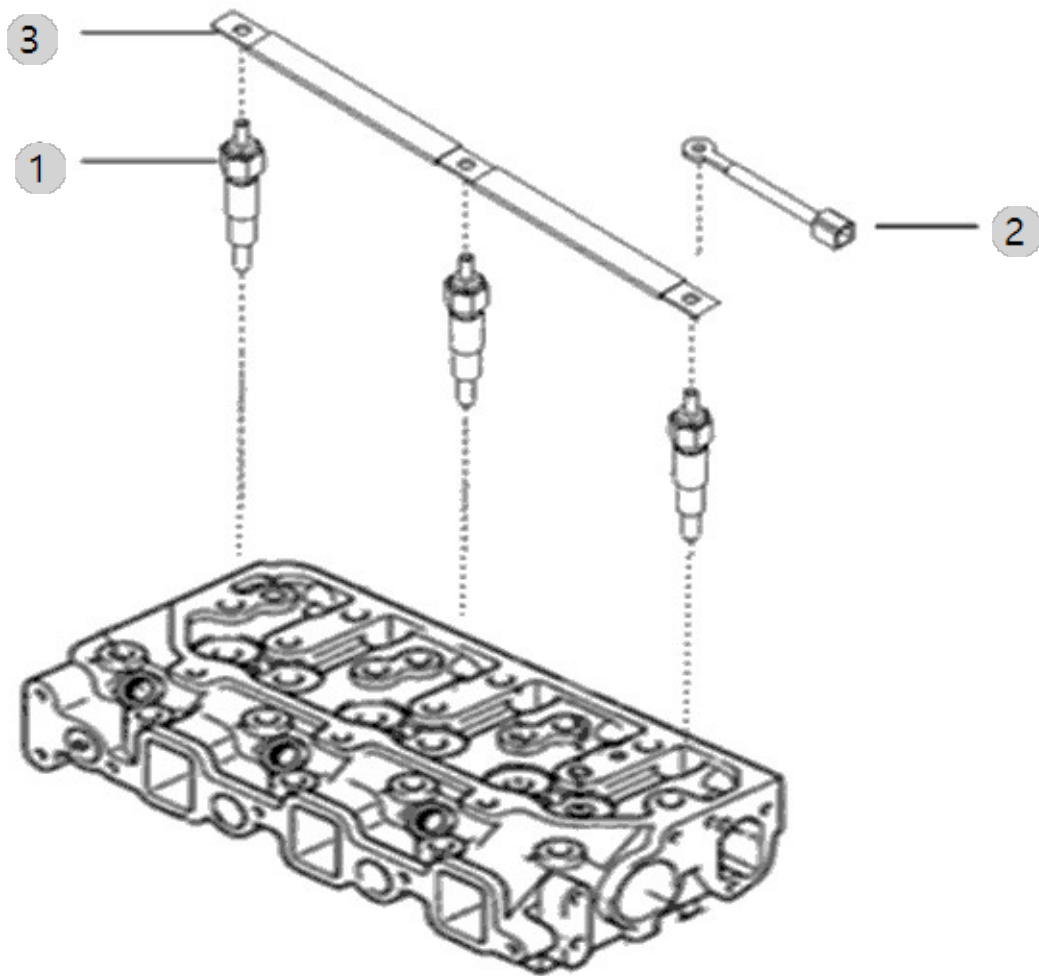
A04\_004

A1700N2-UTR\_4  
(AB00132)

### GLOW PLUG ASS'Y OPTION

Year/Month

2022-12-15





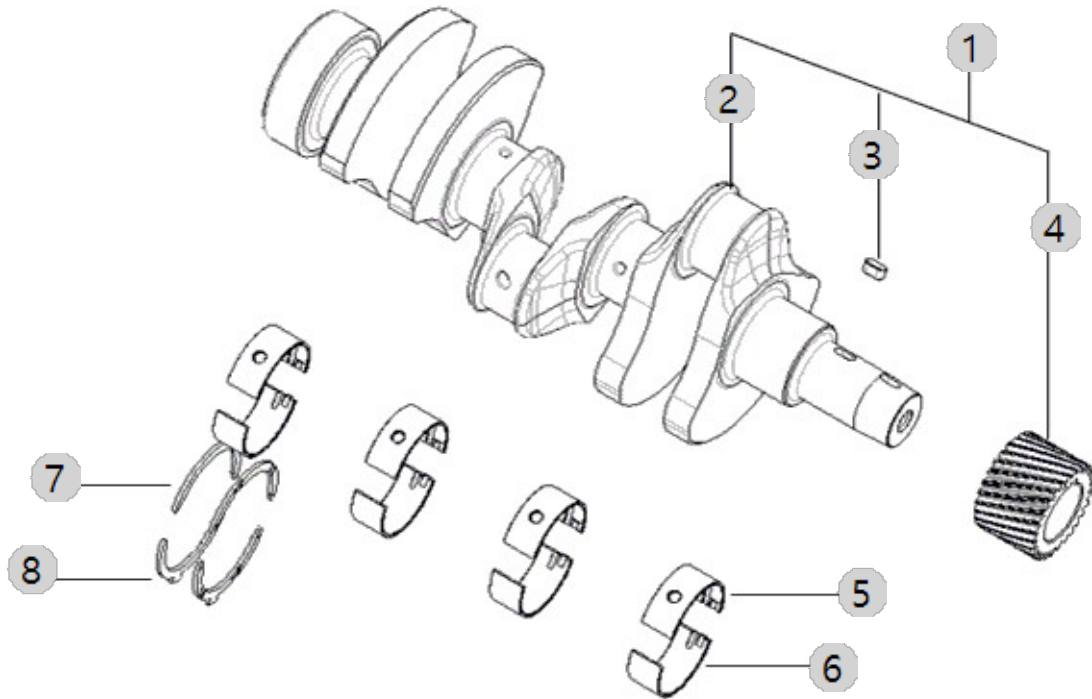
A05\_003

A1700N2-UTR\_4  
(AB00132)

CRANK SHAFT ASS'Y OPTION

Year/Month

2022-12-15





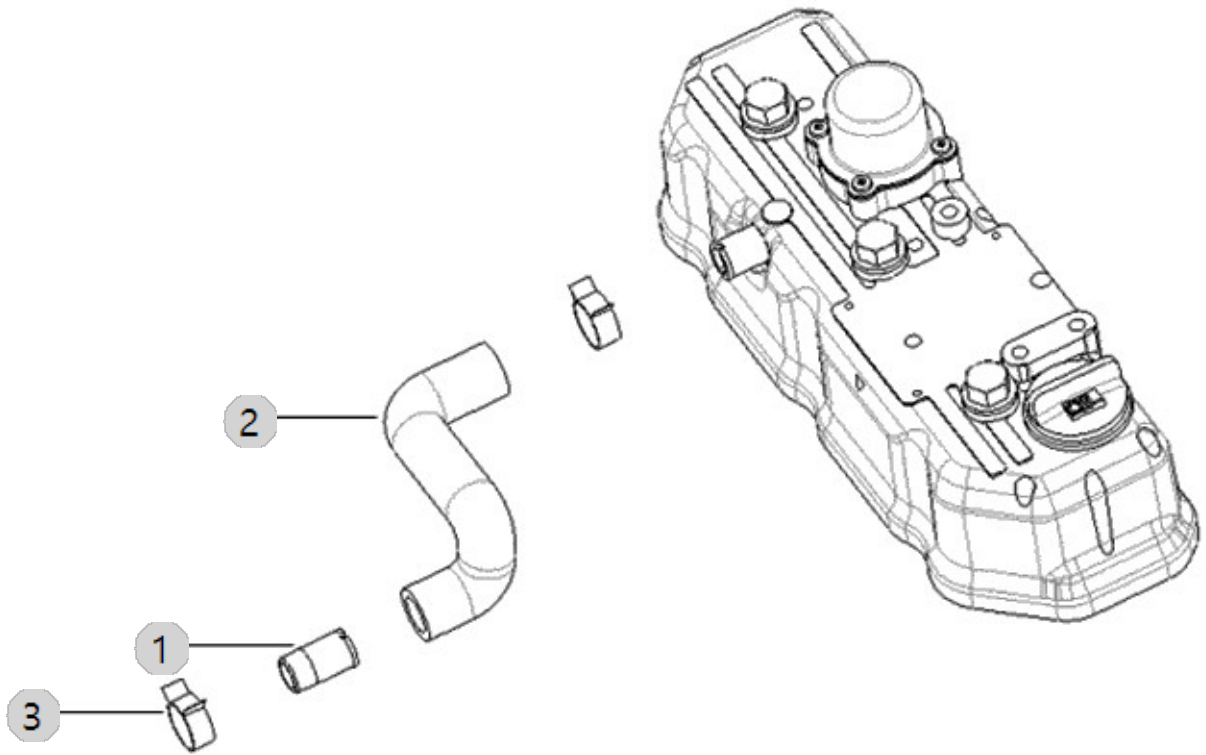
A06\_002

A1700N2-UTR\_4  
(AB00132)

BREATHER OPTION

Year/Month

2022-12-15







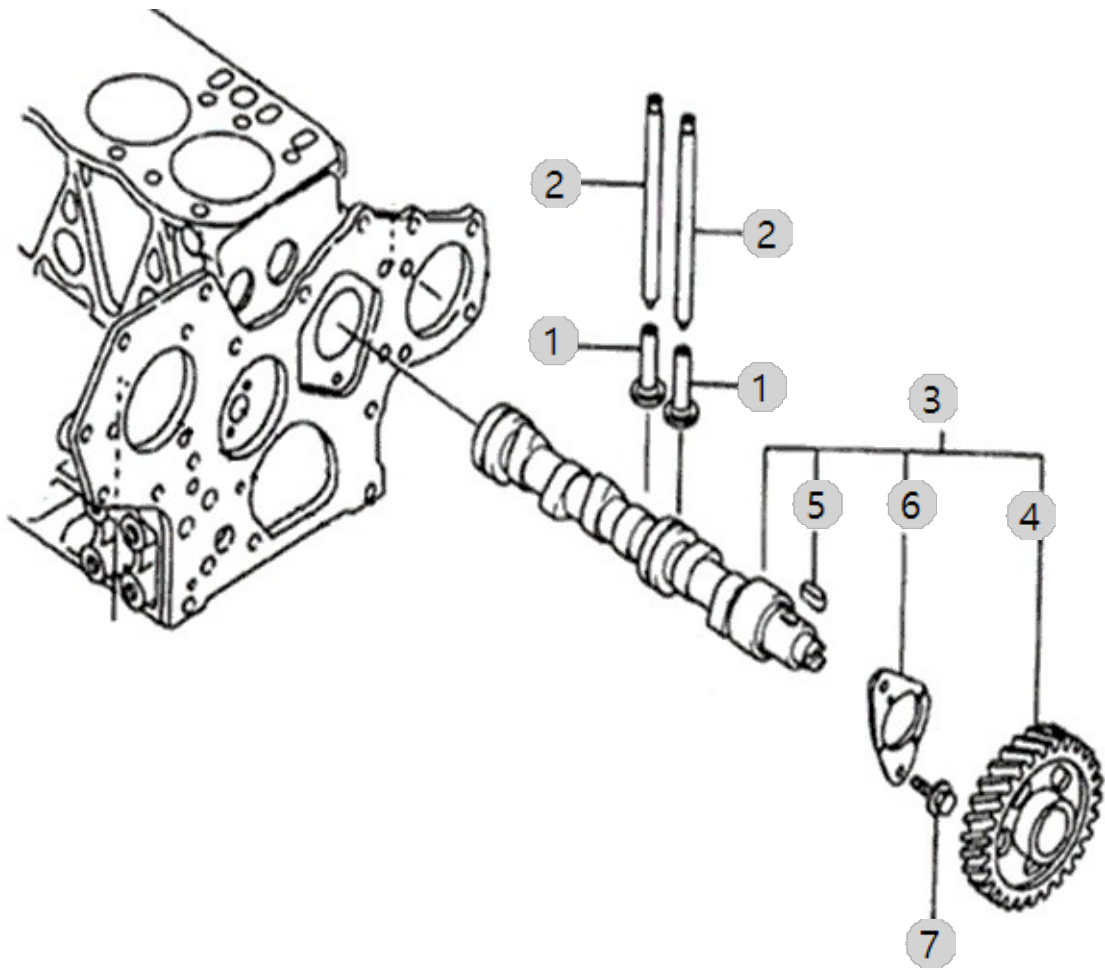
A07\_002

A1700N2-UTR\_4  
(AB00132)

# CAMSHAFT

Year/Month

2022-12-15





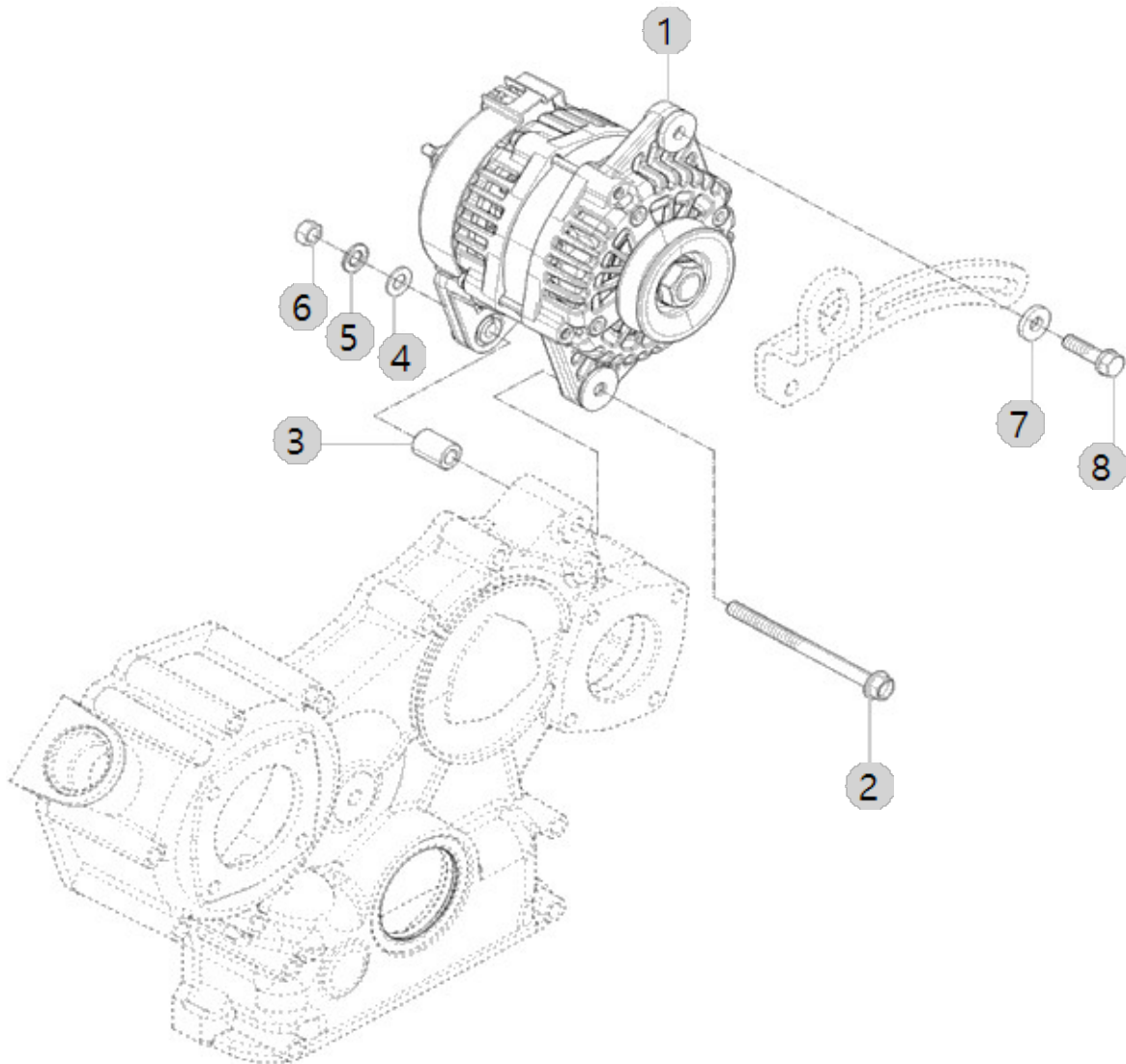
A08\_003

A1700N2-UTR\_4  
(AB00132)

# ALTERNATOR

Year/Month

2022-12-15





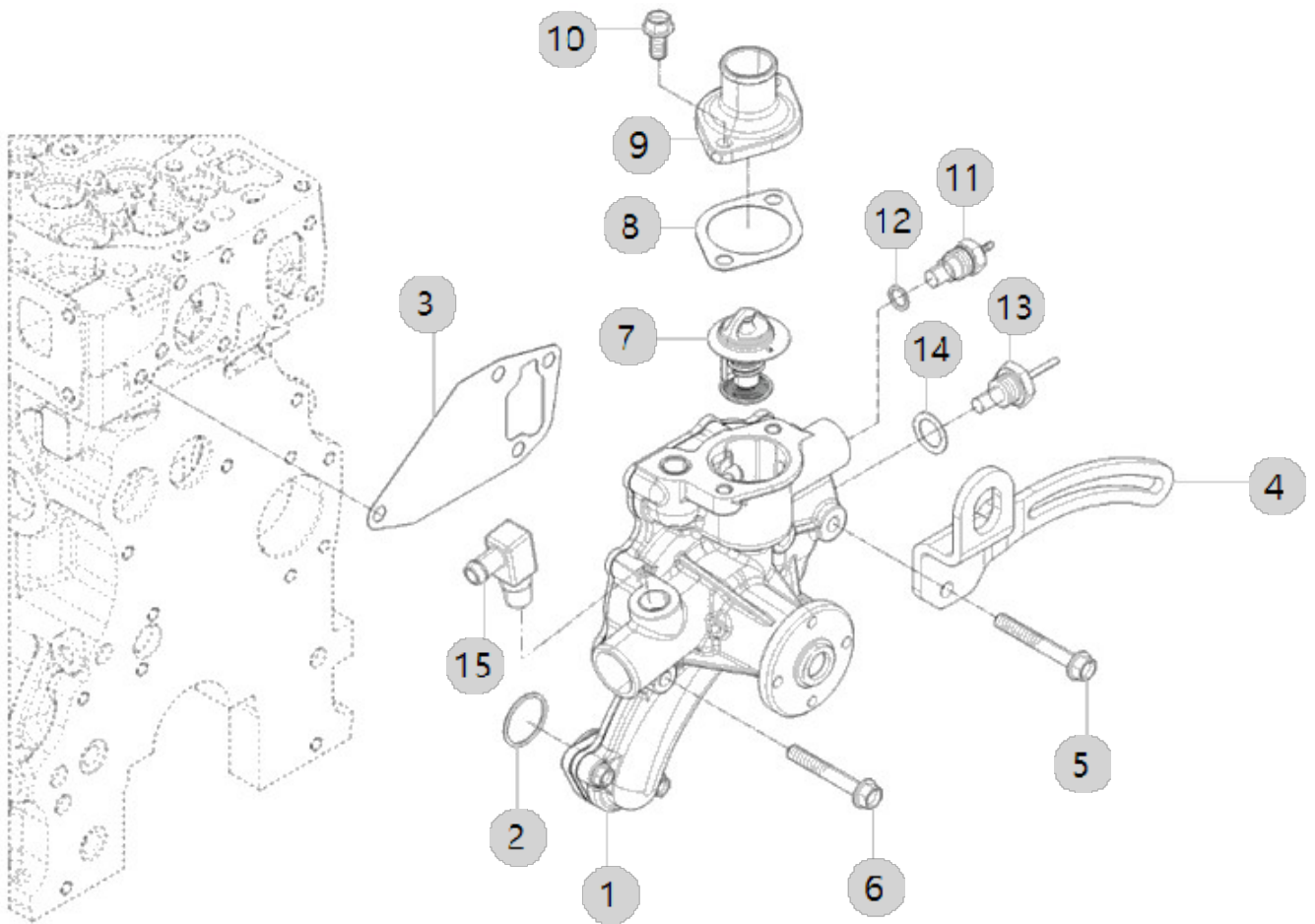
A09\_003

A1700N2-UTR\_4  
(AB00132)

### COOLING WATER PUMP

Year/Month

2022-12-15





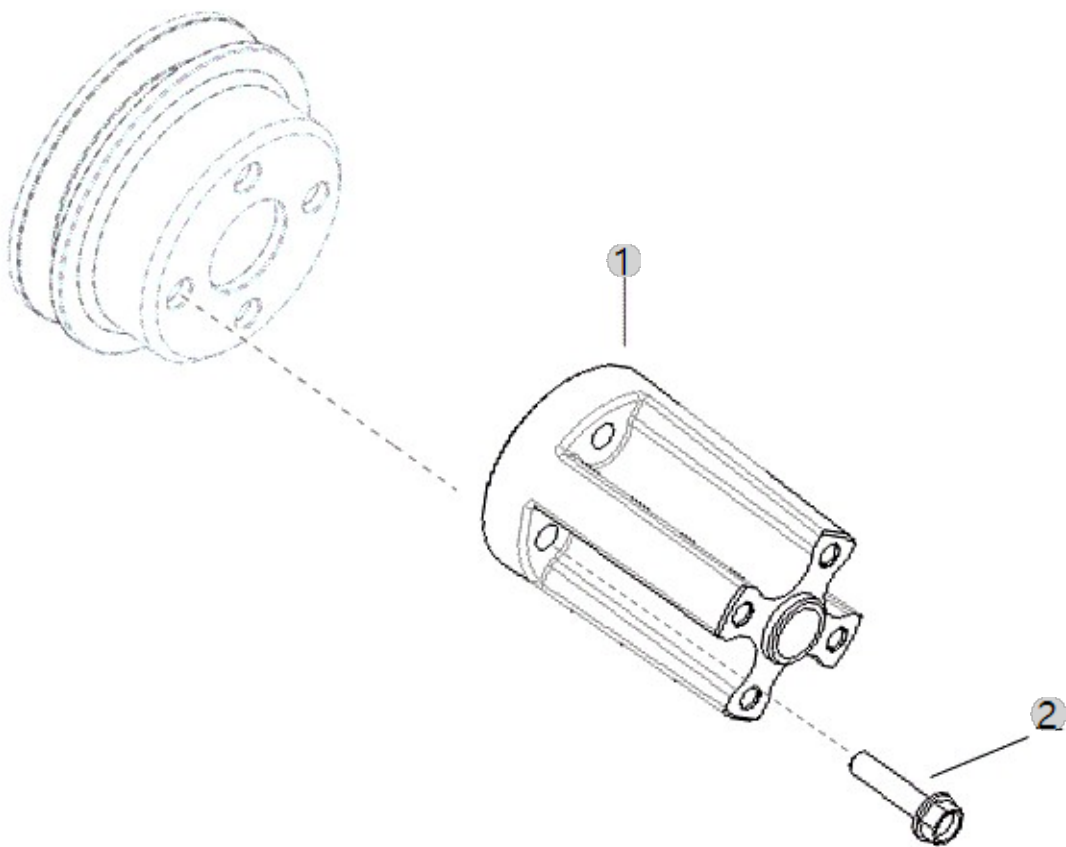
A10\_003

A1700N2-UTR\_4  
(AB00132)

### COOLING FAN SPACER

Year/Month

2022-12-15







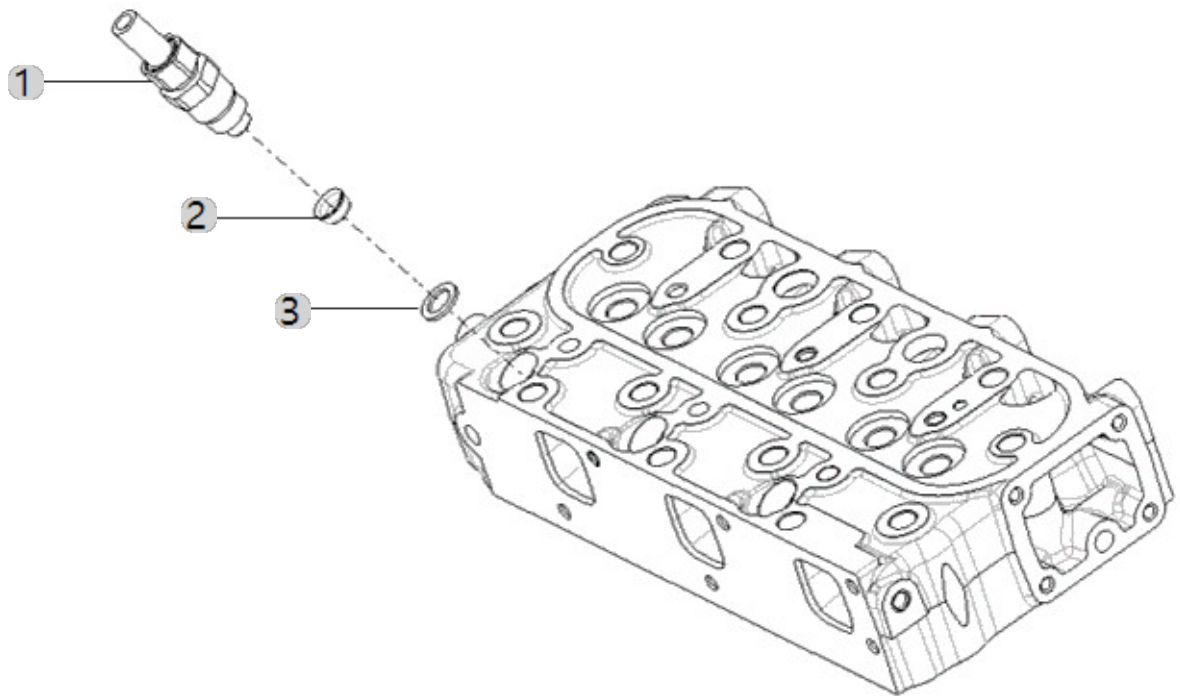
A11\_005

A1700N2-UTR\_4  
(AB00132)

# INJECTOR

Year/Month

2022-12-15





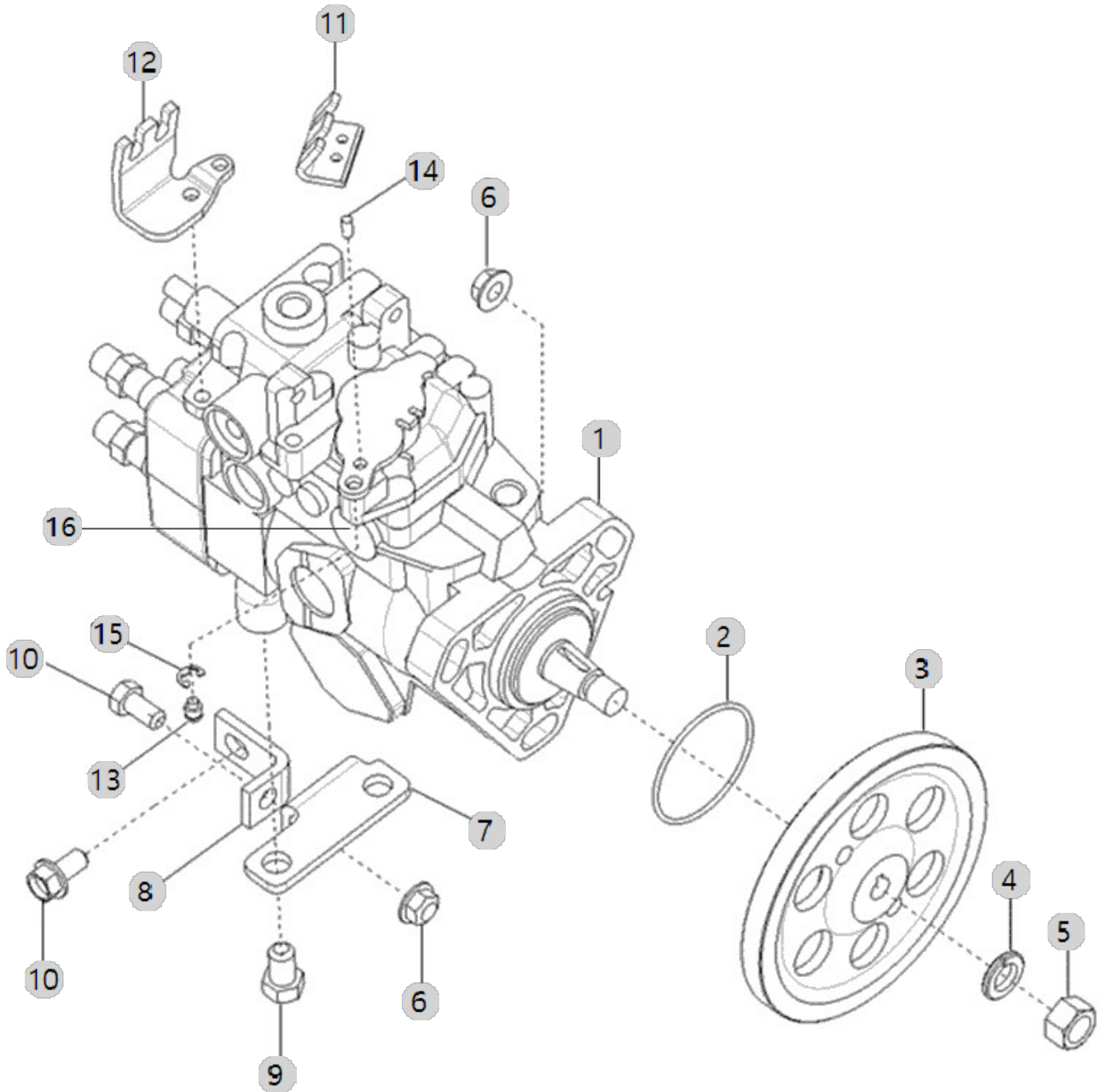
A12\_006

A1700N2-UTR\_4  
(AB00132)

# FUEL INJECTOR

Year/Month

2022-12-15



A12_006 A1700N2-UTR_4 (AB00132)		FUEL INJECTON				Year/Month 2022-12-15
순번 (NO)	부품번호 (PART NO)	품명 (PART NAME)	품명 (PART NAME)	수량 (QTY)	규격 (SPEC)	비고 (REMARK)
1	HRD130010DC1	연료분사펌프조합	PUMP,FUELINJECTION	1		
1	HRD130010DA1	연료분사펌프조합 - 트랙	PUMP,FUELINJECTION	1		
2	24311-000500	O링	O-RING, DYNAMIC (Φ50)	1	P50	
3	HRD070080DC3	연료분사펌프기어	GEAR, FUEL PUMP	1		
3	HRD070080DB3	연료분사펌프기어	GEAR,FUELPUMP	1		
4	22217-120000	스프링와셔	WASHER, SPRING (Φ 12)	1	M12	
5	26716-120002	295,ALL,육각너트	HEXA NUT295	1	M12X1.75	
6	26367-080002	259, 육각플랜지너트	HEX FLANGE NUT (Φ8)	4	M8XP1.25	
7	HRD130020DB4	VE지지브라켓(A)	BRACKET, PUMP	1	T4.5	
7	HRD130020DA4	521,A1417,VE지지브라켓(A)	BRACKET,PUMP	1	T4.5	
8	HRA130030DB4	VE지지브라켓(B)	BRACKET,PUMP	1	T 4.5	
8	HRA130030DA4	297,A202322,VE지지브라켓(B)	BRACKET(A),PUMP	1	T 4.5	
9	26106-100162	플랜지볼트M10X16	SCREW,HEXFLANGEHEADCAP	2	M10XP1.5X16	
10	26106-080162	플랜지볼트8X16	SCREW,HEXFLANGEHEADCAP	2	M8XP1.25X16	
11	EA00002101A	후크-엑셀레버	LEVER, HOOK, ACCEL	1		
11	EA00002101B	후크-엑셀레버	LEVER, HOOK, ACCEL	1		
12	EA00004263B	서포트(엑셀레버)	SUPPORT(ACCELERATOR LEVER)	1	T4.0	
12	EA00004263A	서포트(엑셀레버)	SUPPORT(ACCELERATOR LEVER)	1	T4.0	
13	HRA1300702A9	고정핀	PIN	1		
14	EA00002103A	핀	PIN	1	N4	
15	22272-000050	E형스냅링5	RING, CIRCLIP (Φ 05)	1	D5	
16	EA00003768A	픽업센서	PICKUP SENSOR	1		

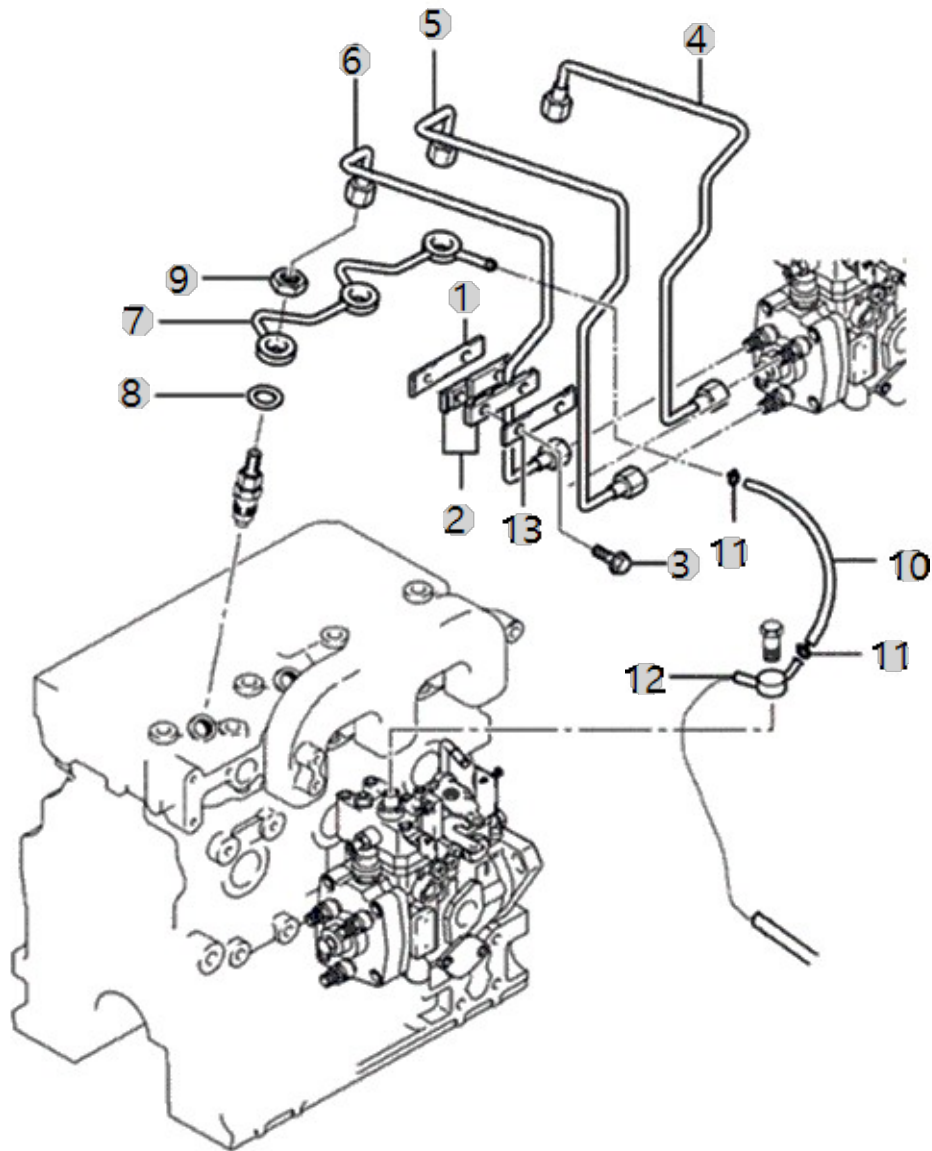
A13\_002

A1700N2-UTR\_4  
(AB00132)

PLUMBING, FUEL

Year/Month

2022-12-15





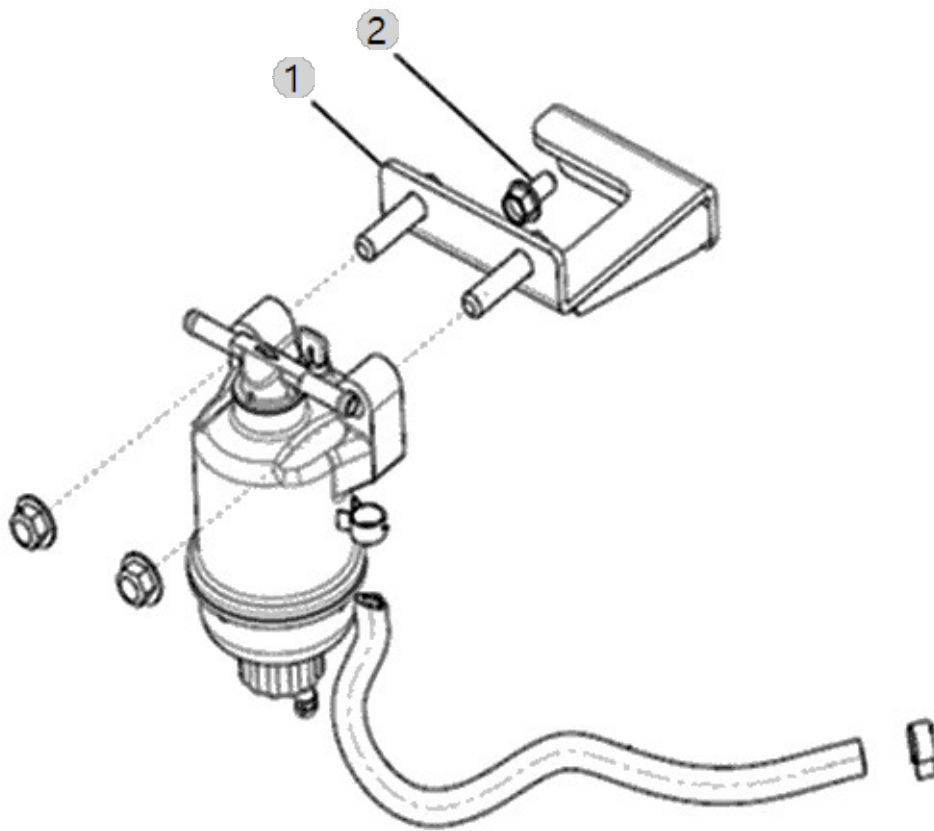
A14\_001

A1700N2-UTR\_4  
(AB00132)

### FUEL FILTER BRACKET

Year/Month

2022-12-15







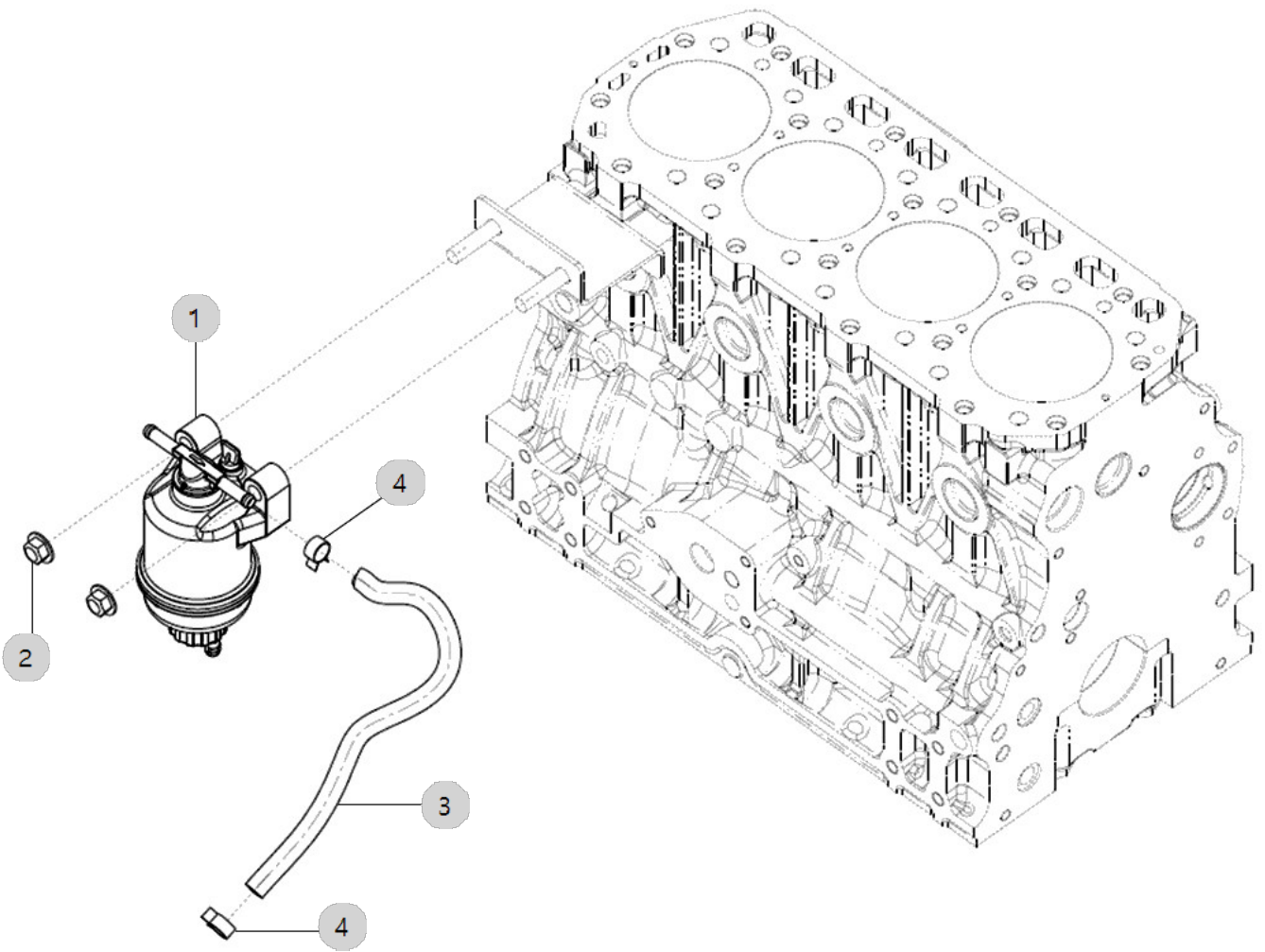
A16\_018

A1700N2-UTR\_4  
(AB00132)

FUEL FILTER ASS'Y OPTION

Year/Month

2022-12-15





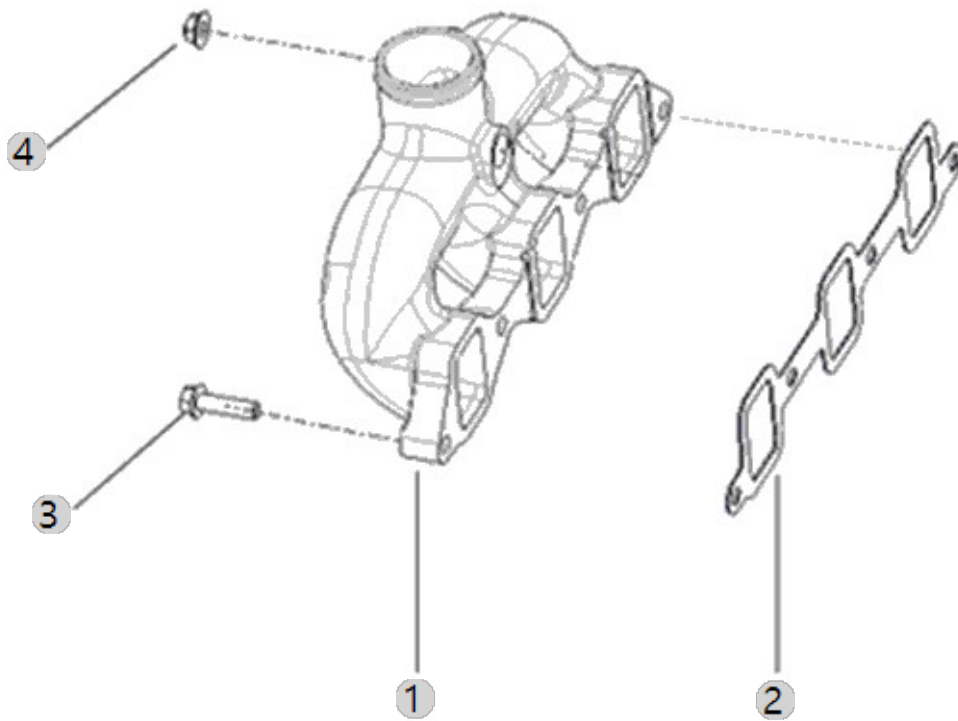
A17\_005

A1700N2-UTR\_4  
(AB00132)

### INTAKE MANIFOLD ASS'Y OPTION

Year/Month

2022-12-15





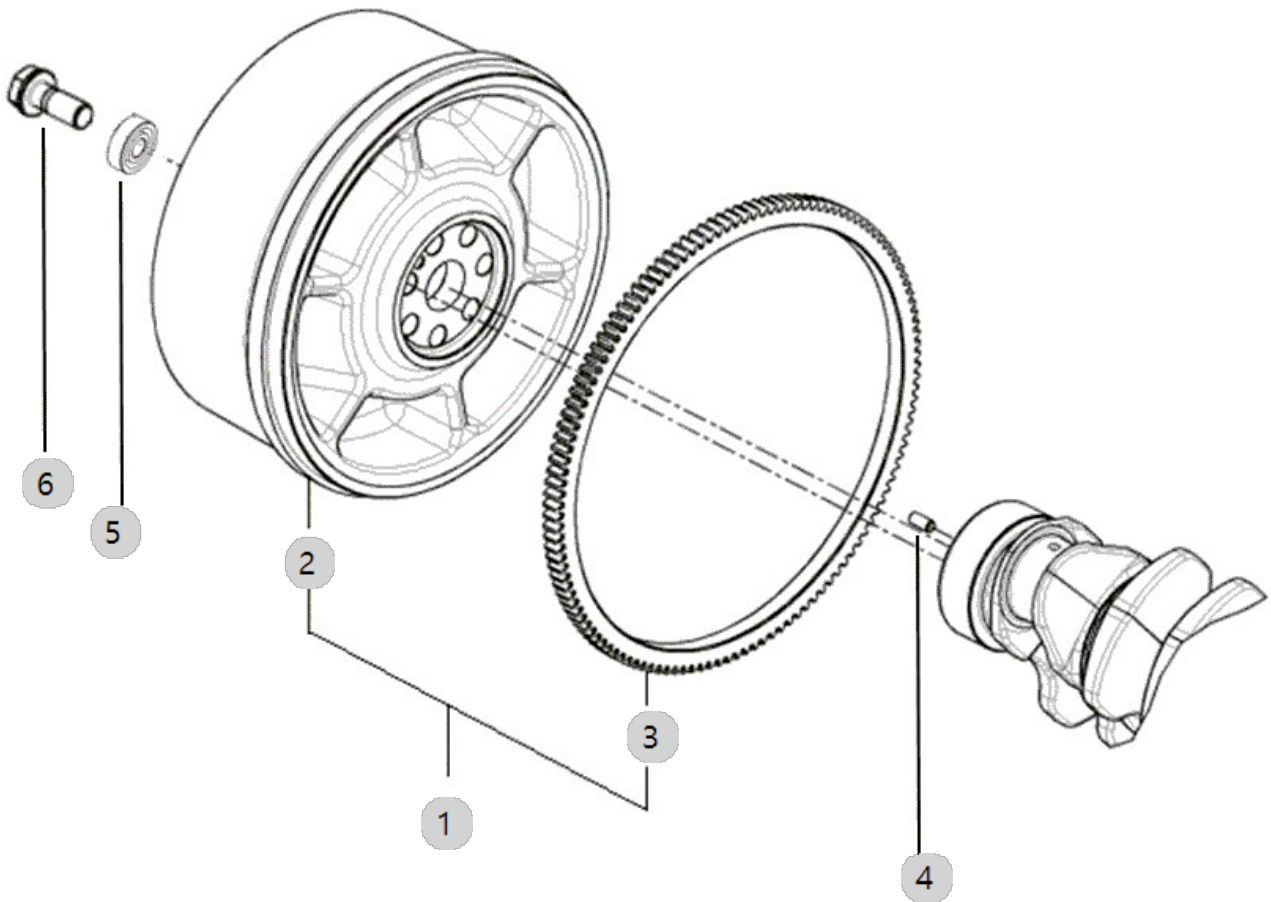
A18\_005

A1700N2-UTR\_4  
(AB00132)

FLYWHEEL

Year/Month

2022-12-15





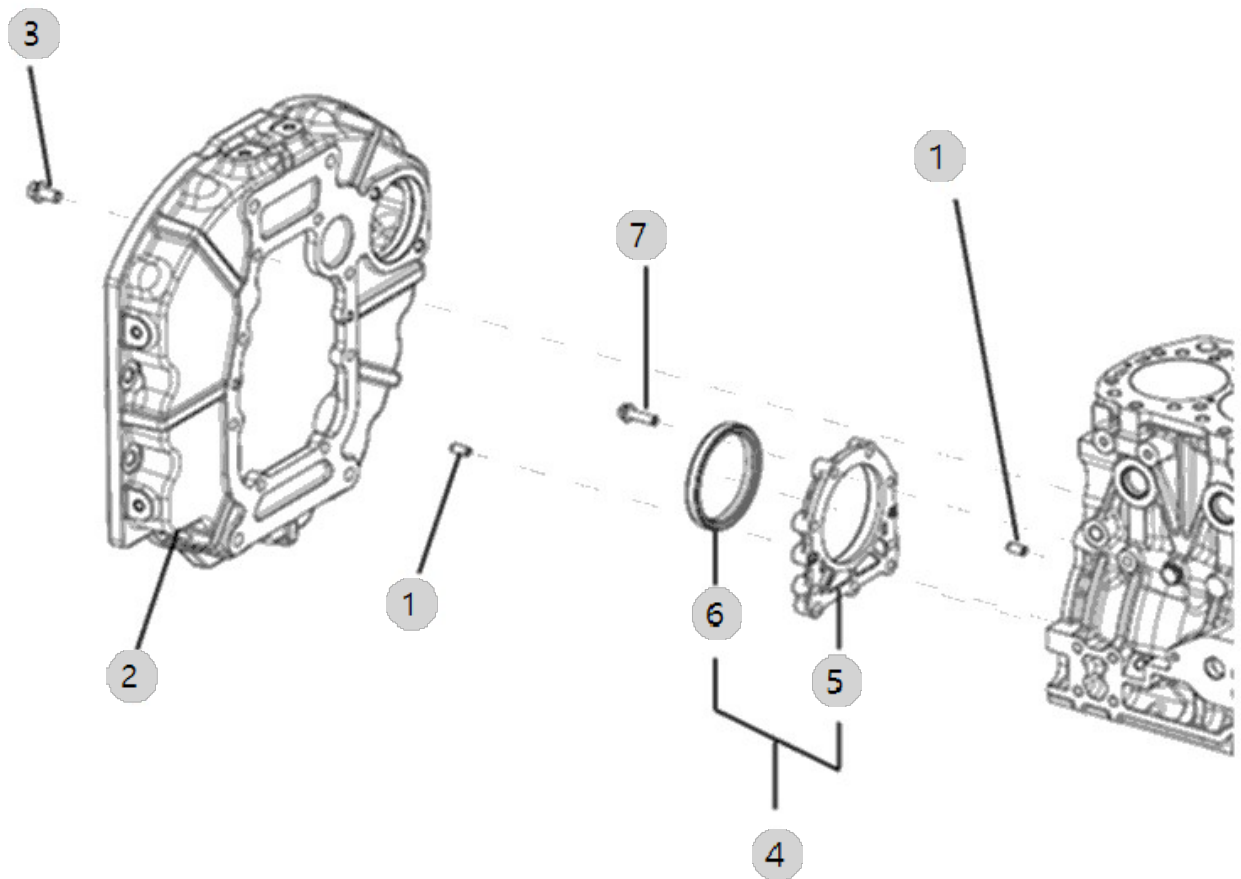
A19\_005

A1700N2-UTR\_4  
(AB00132)

# FLYWHEEL HOUSING

Year/Month

2022-12-15







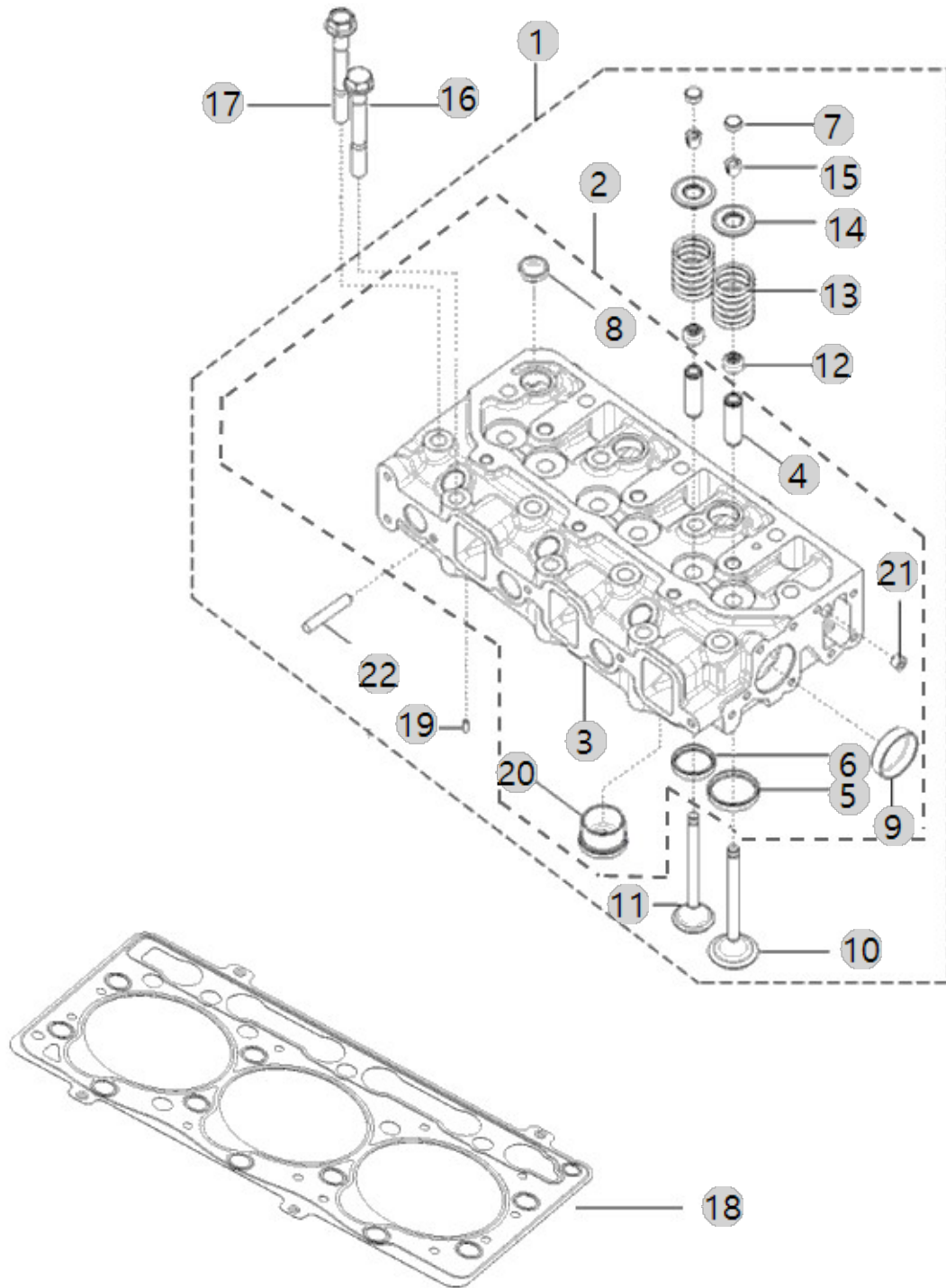
A20\_007

A1700N2-UTR\_4  
(AB00132)

# HEAD, CYLINDER

Year/Month

2022-12-15





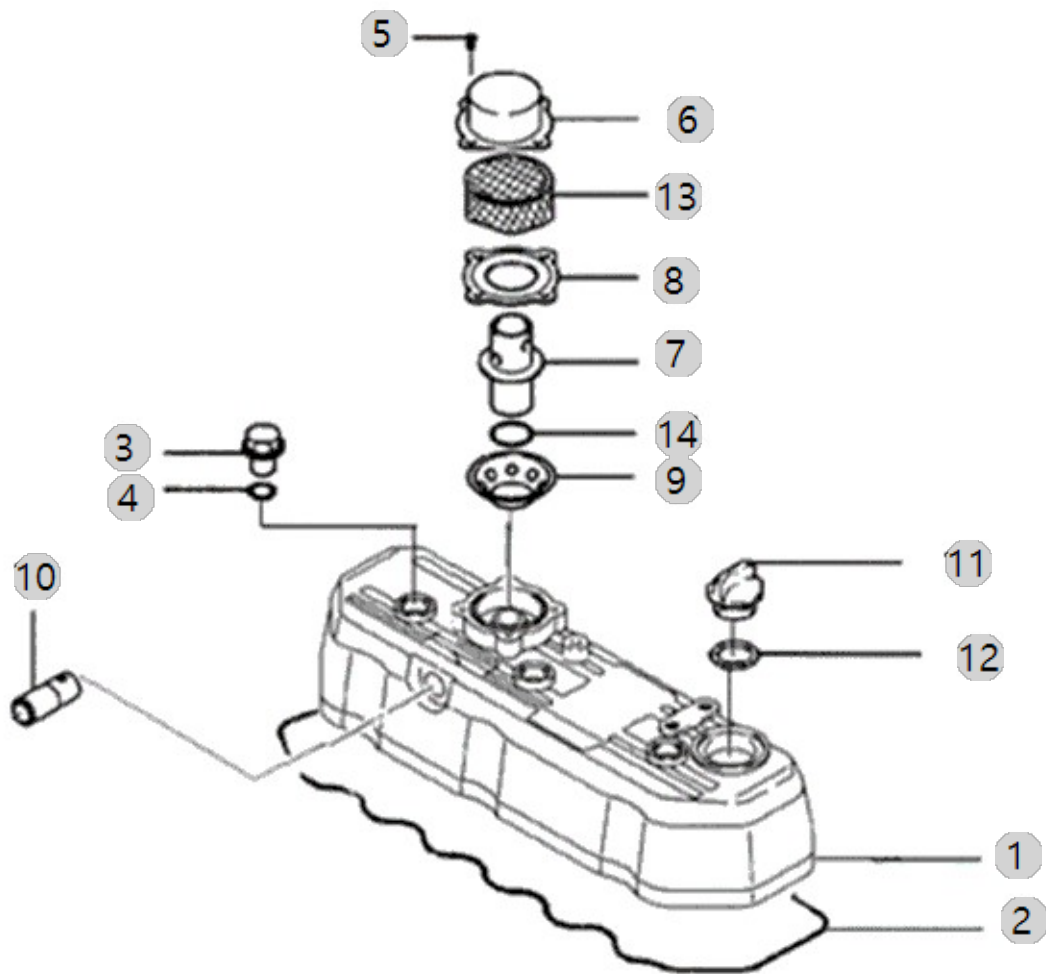
A21\_002

A1700N2-UTR\_4  
(AB00132)

# HEAD COVER

Year/Month

2022-12-15





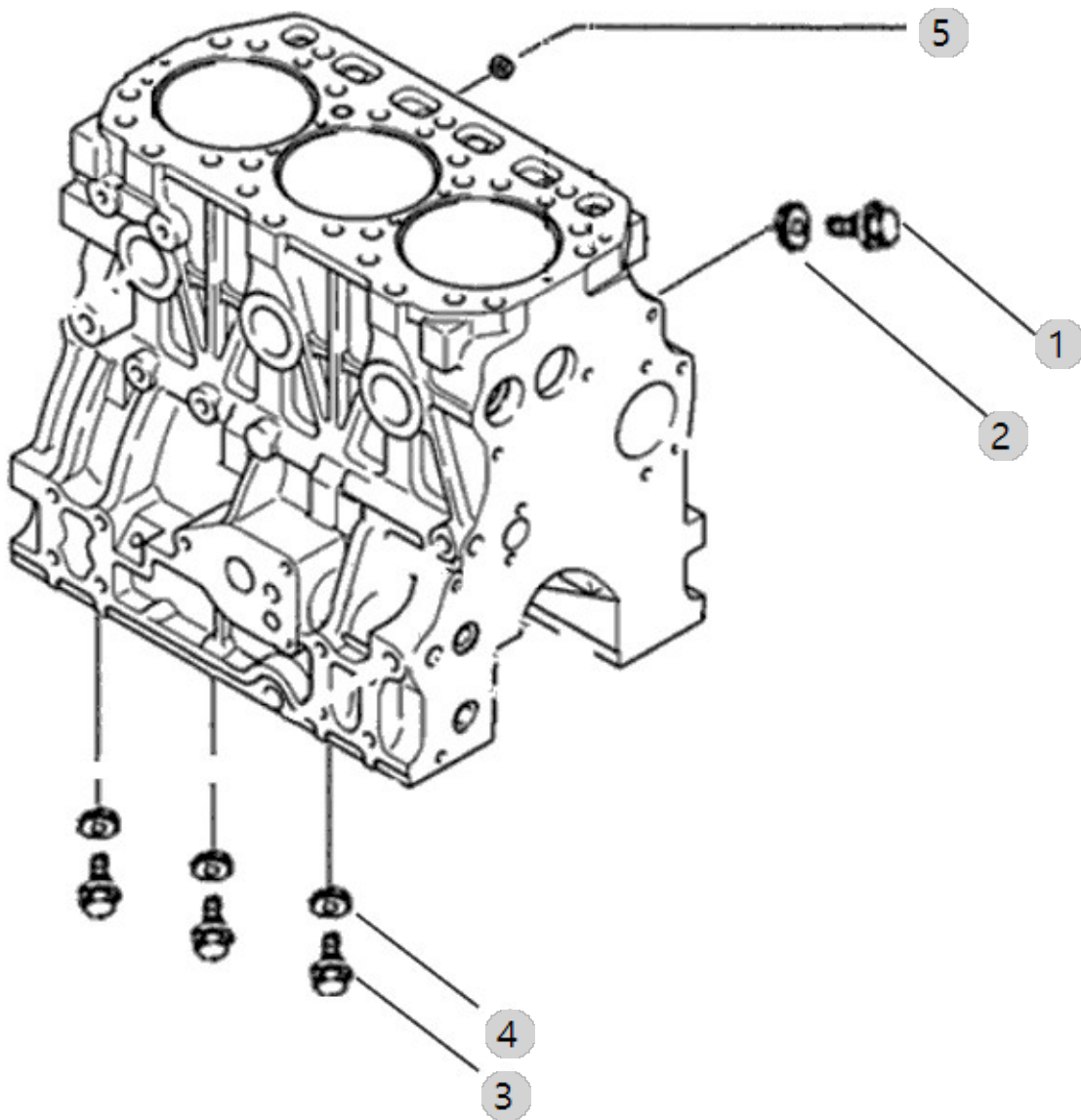
A23\_003

A1700N2-UTR\_4  
(AB00132)

TURBOCHARGER SUPPORT ASS'Y OPTION

Year/Month

2022-12-15





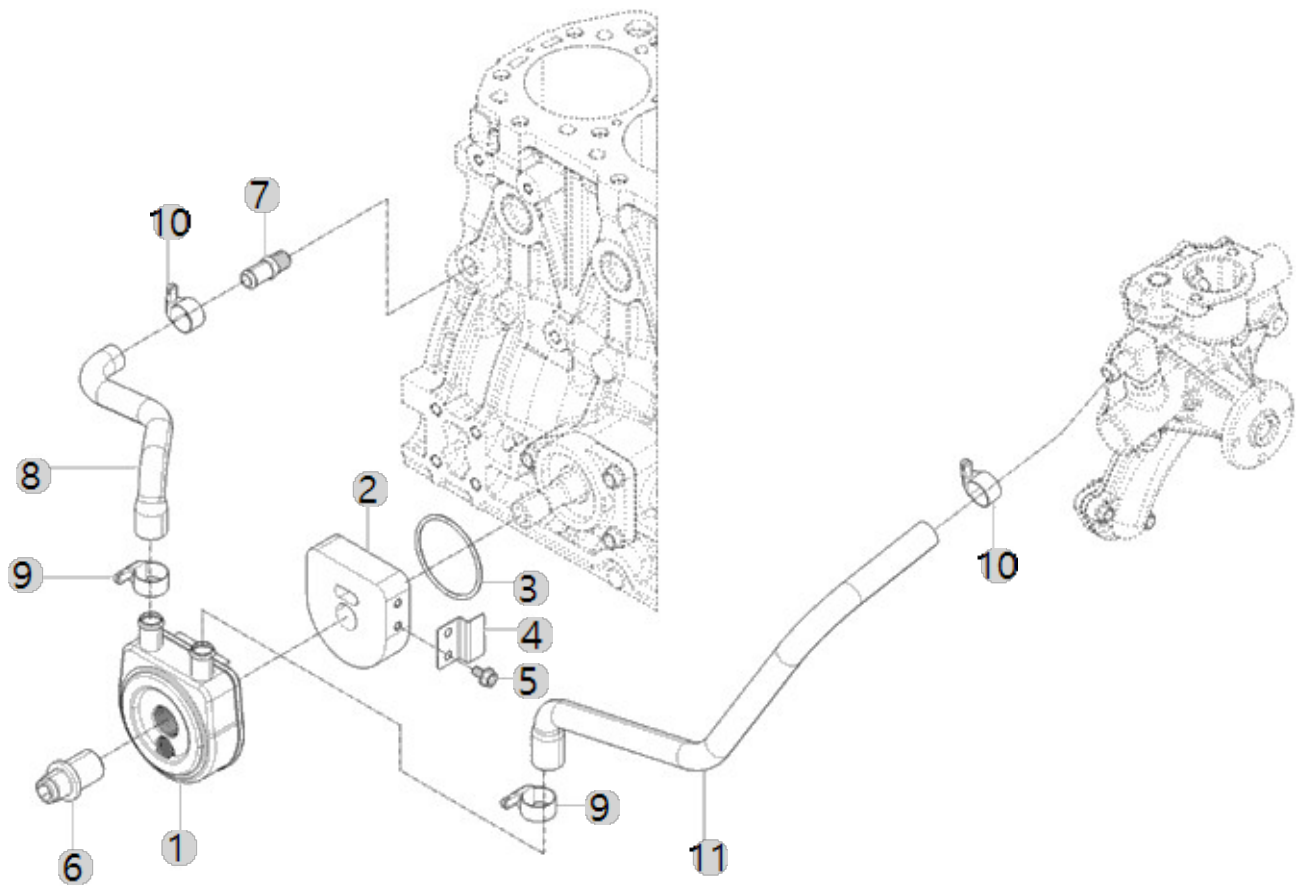
A26\_001

A1700N2-UTR\_4  
(AB00132)

### COOLER, ENGINE OIL

Year/Month

2022-12-15







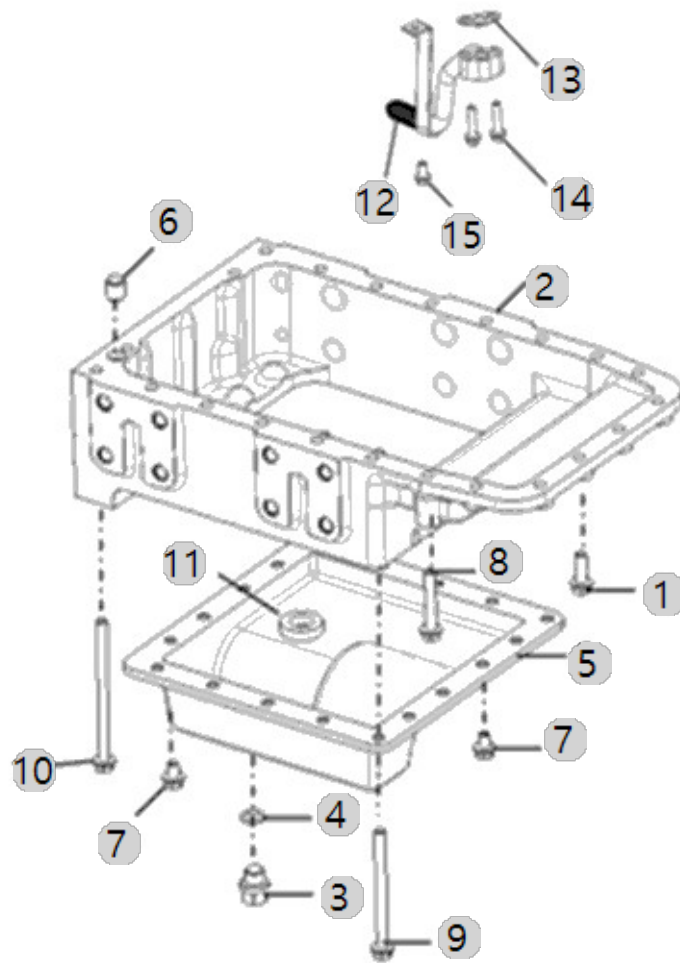
A27\_004

A1700N2-UTR\_4  
(AB00132)

### OIL PAN ASS'Y OPTION

Year/Month

2022-12-15





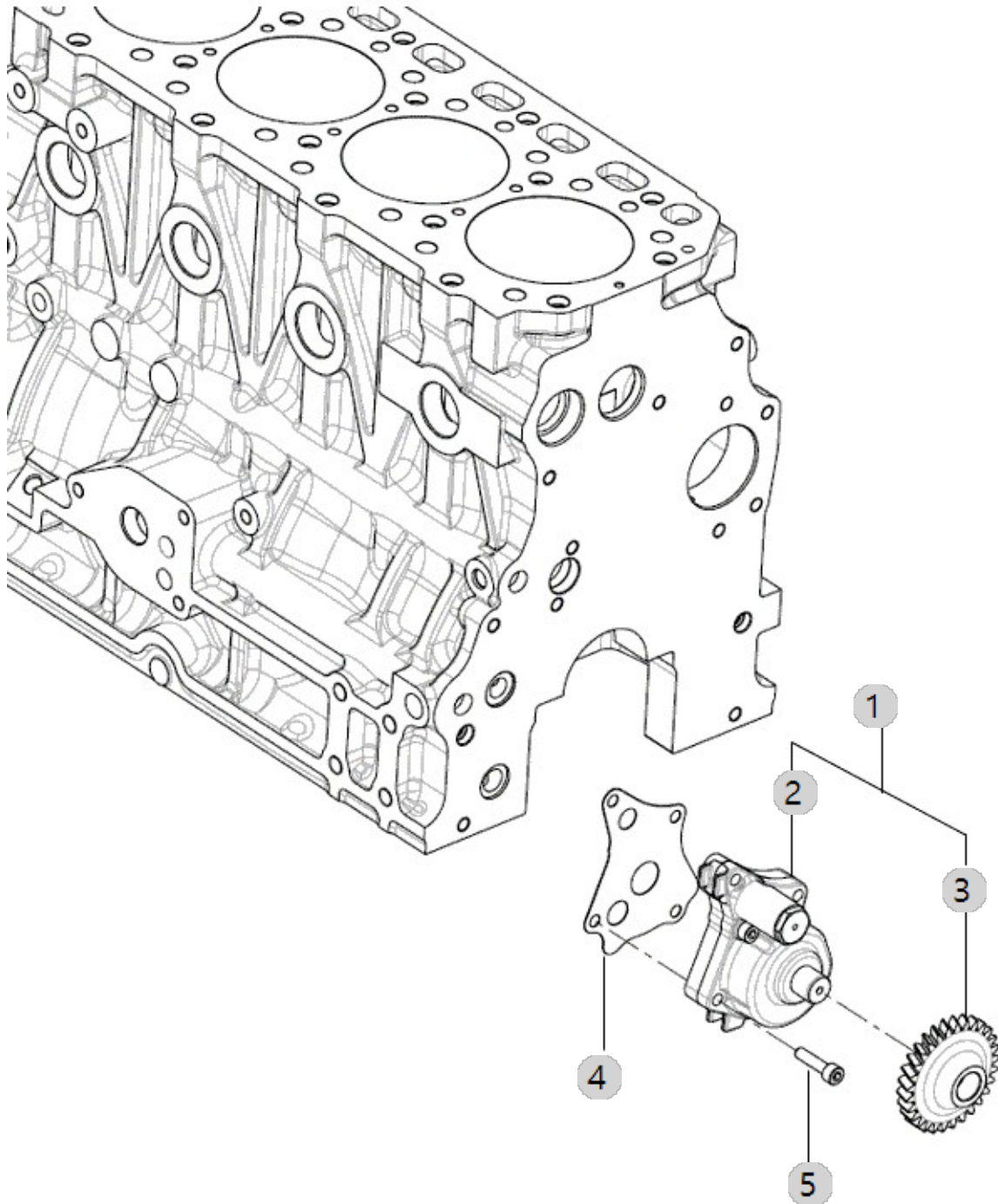
A28\_001

A1700N2-UTR\_4  
(AB00132)

PUMP, LUBRICATING OIL

Year/Month

2022-12-15





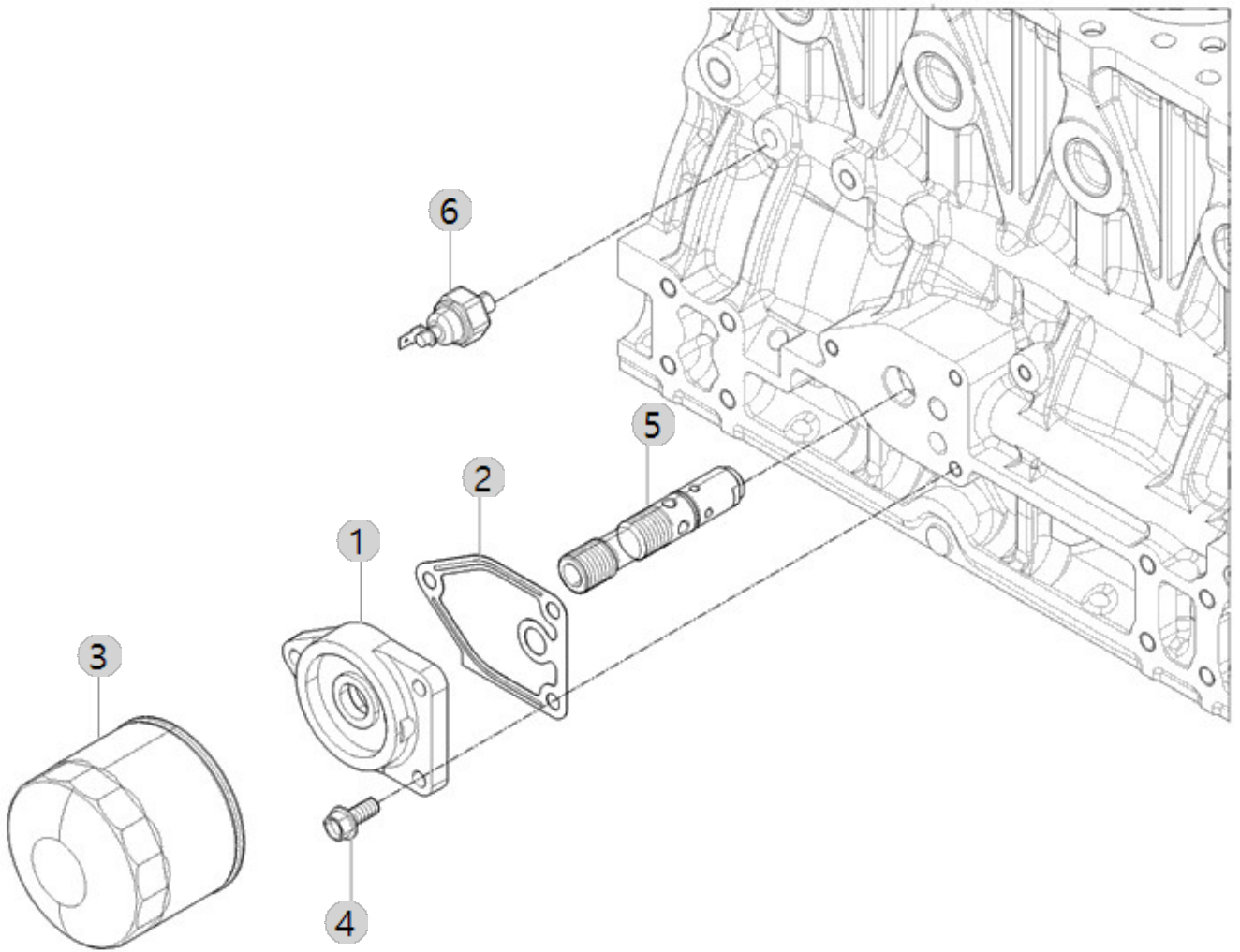
A29\_005

A1700N2-UTR\_4  
(AB00132)

FILTER, LUBRICATING OIL

Year/Month

2022-12-15





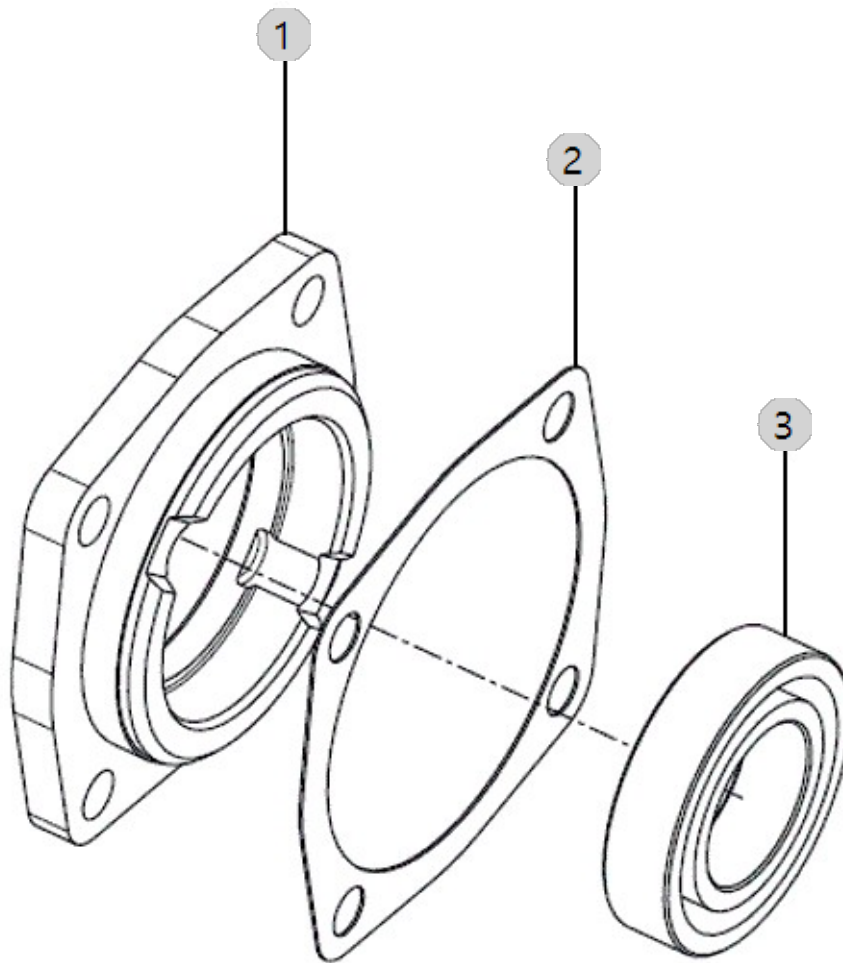
A30\_003

A1700N2-UTR\_4  
(AB00132)

FRONT GEAR ACCESSORY DRIVE

Year/Month

2022-12-15







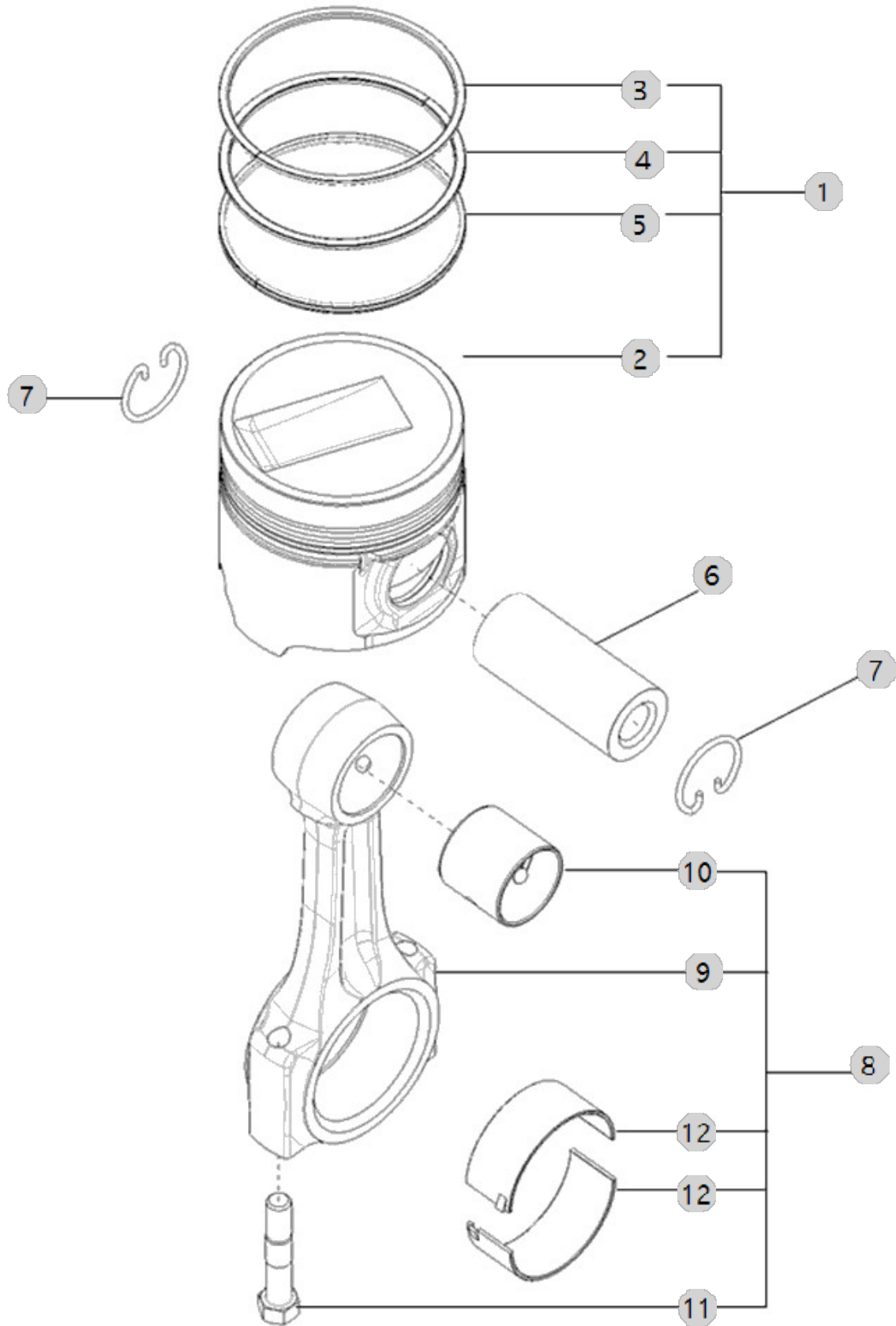
A31\_003

A1700N2-UTR\_4  
(AB00132)

# PISTON

Year/Month

2022-12-15





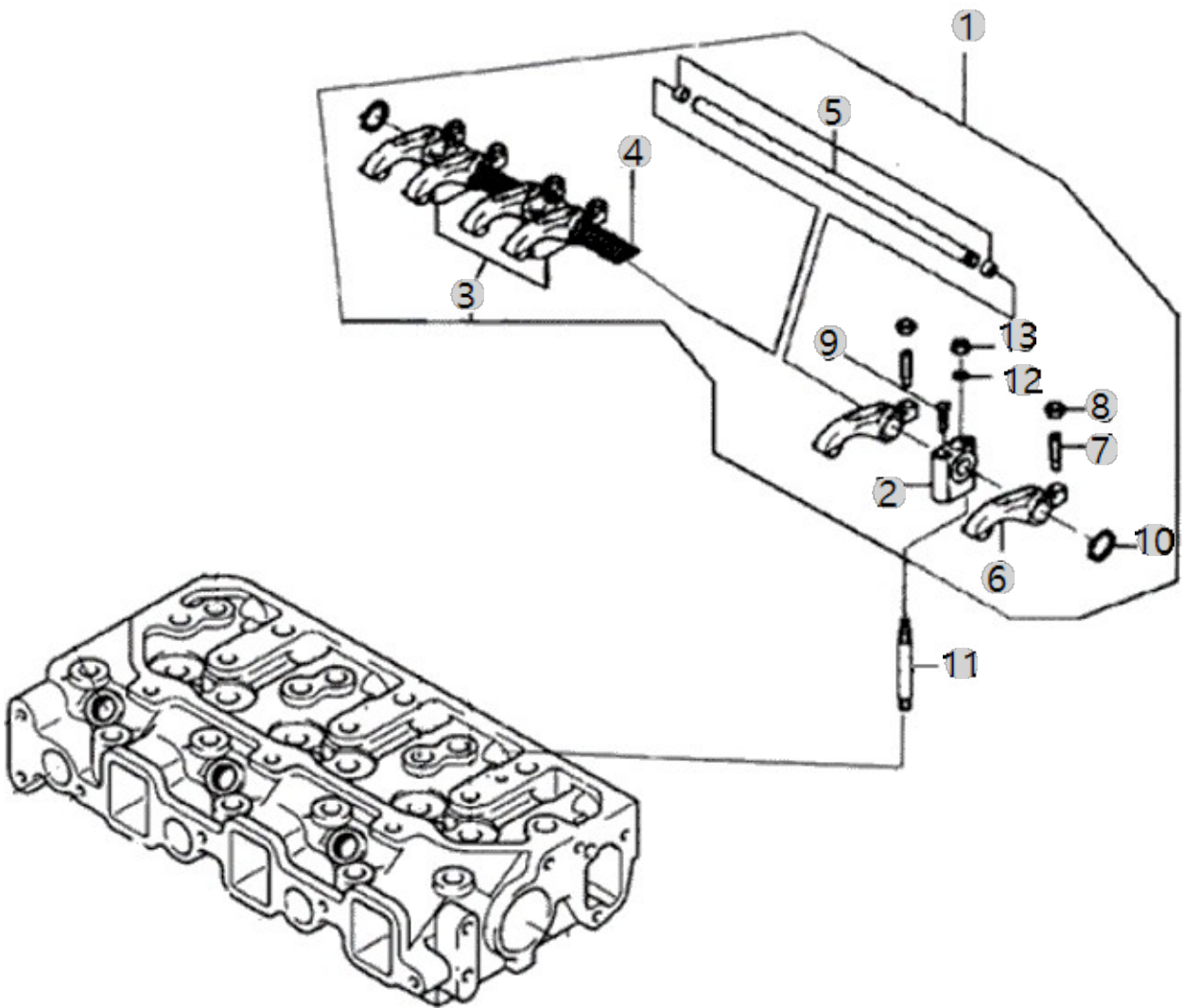
A32\_002

A1700N2-UTR\_4  
(AB00132)

LEVER, LOCKER

Year/Month

2022-12-15





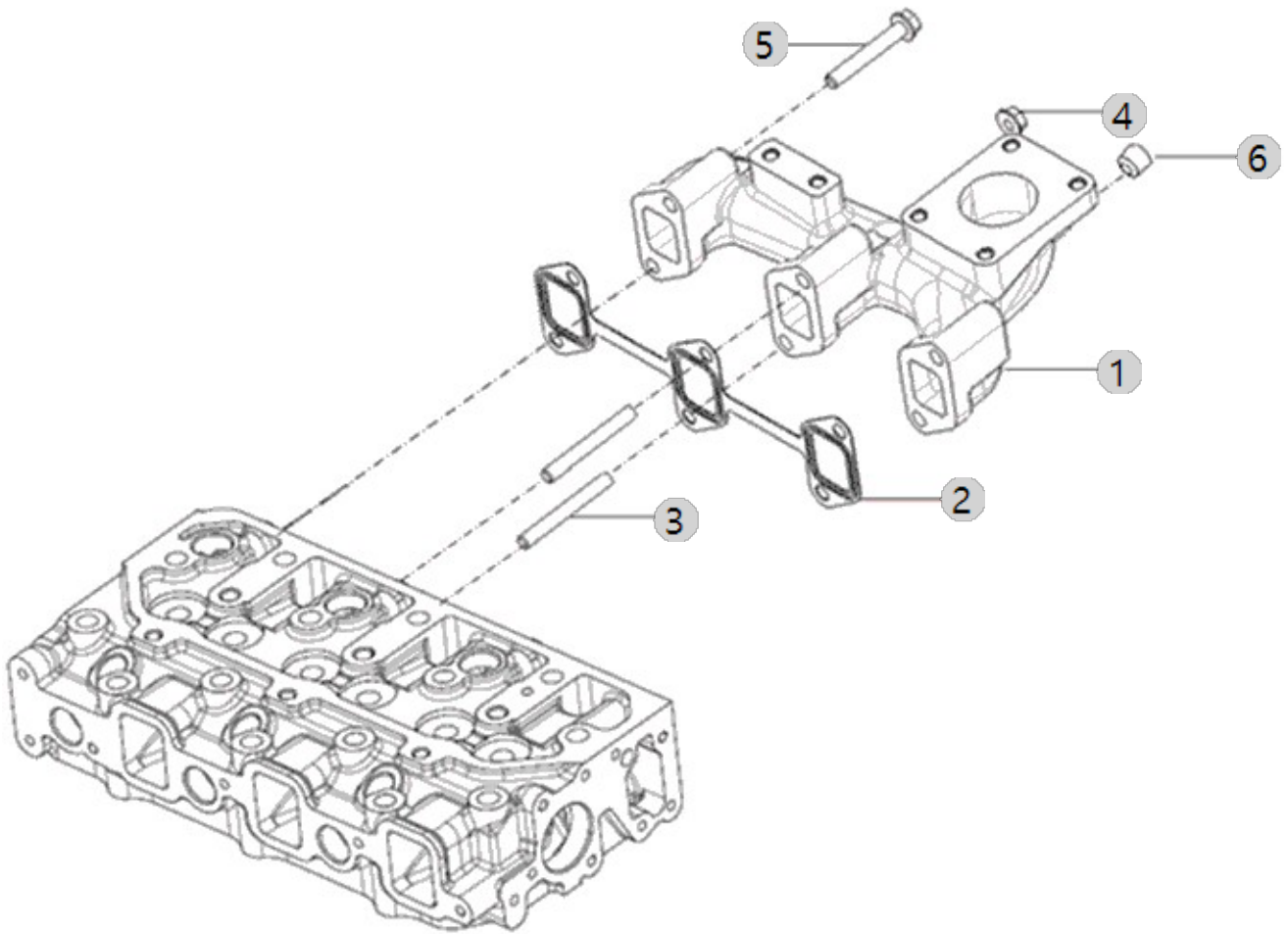
A33\_006

A1700N2-UTR\_4  
(AB00132)

# EXHAUST MANIFOLD

Year/Month

2022-12-15





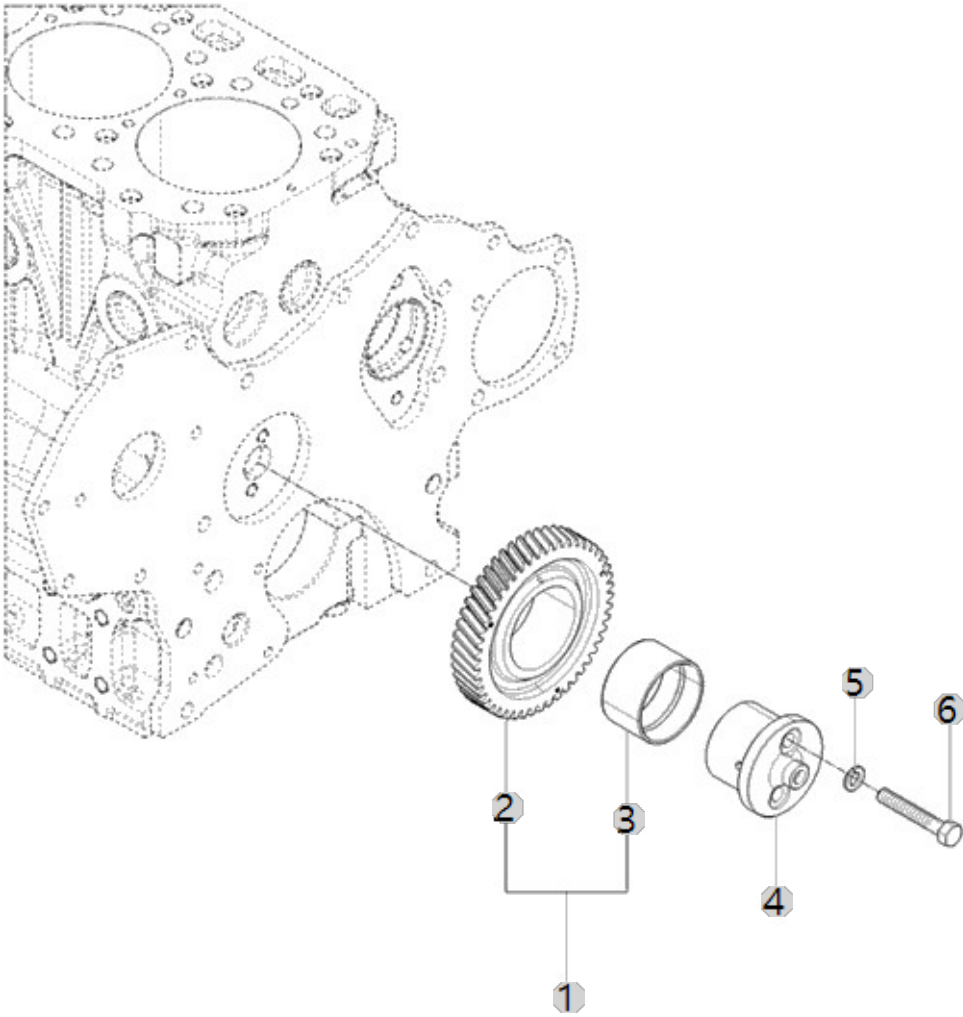
A35\_002

A1700N2-UTR\_4  
(AB00132)

# IDLE GEAR

Year/Month

2022-12-15







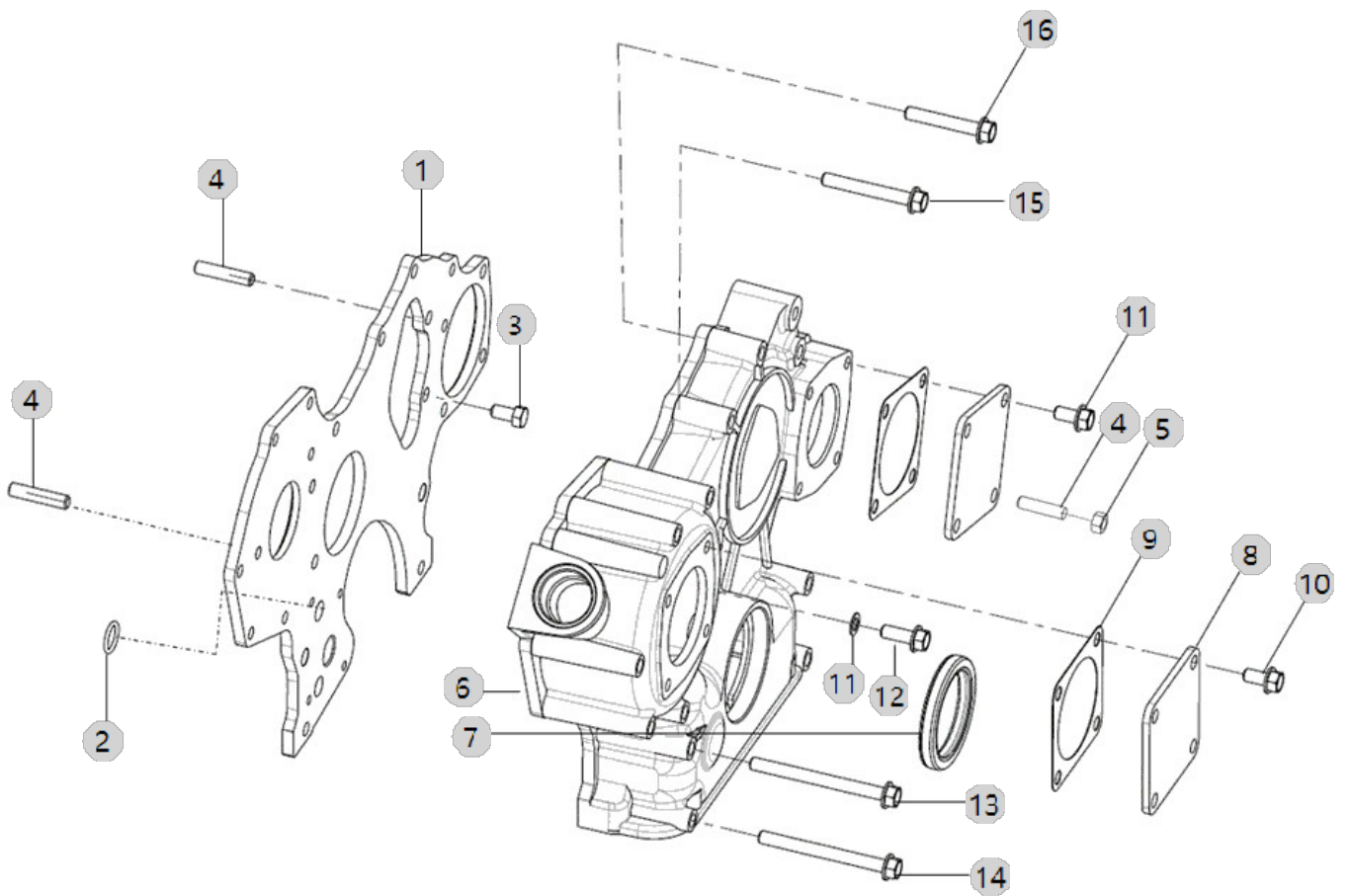
A36\_002

A1700N2-UTR\_4  
(AB00132)

COVER, FRONT GEAR

Year/Month

2022-12-15





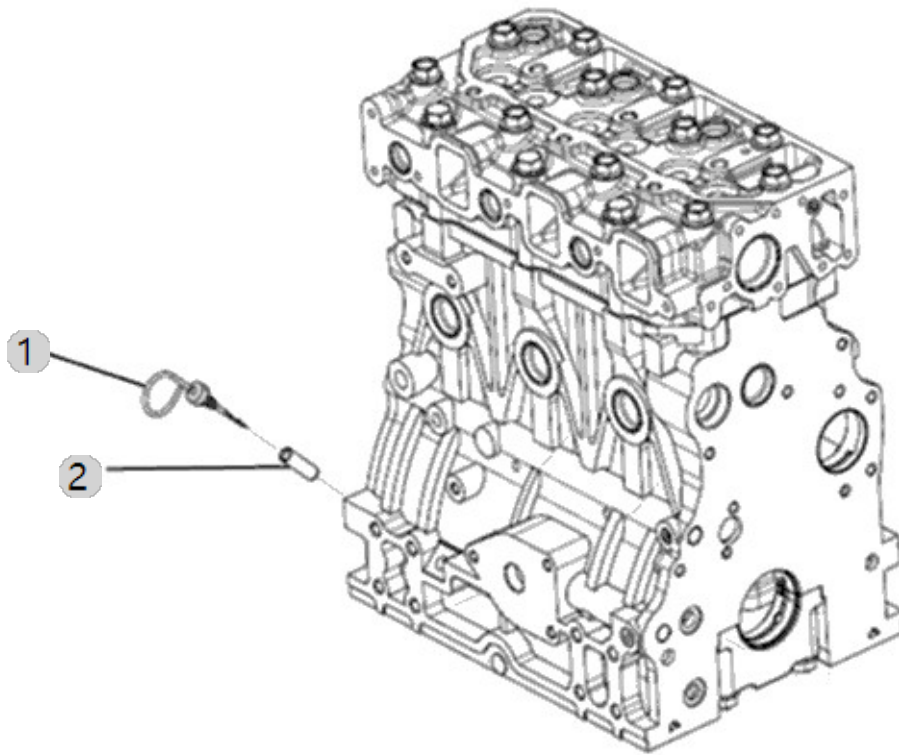
A38\_004

A1700N2-UTR\_4  
(AB00132)

GAUGE, OIL LEVEL

Year/Month

2022-12-15





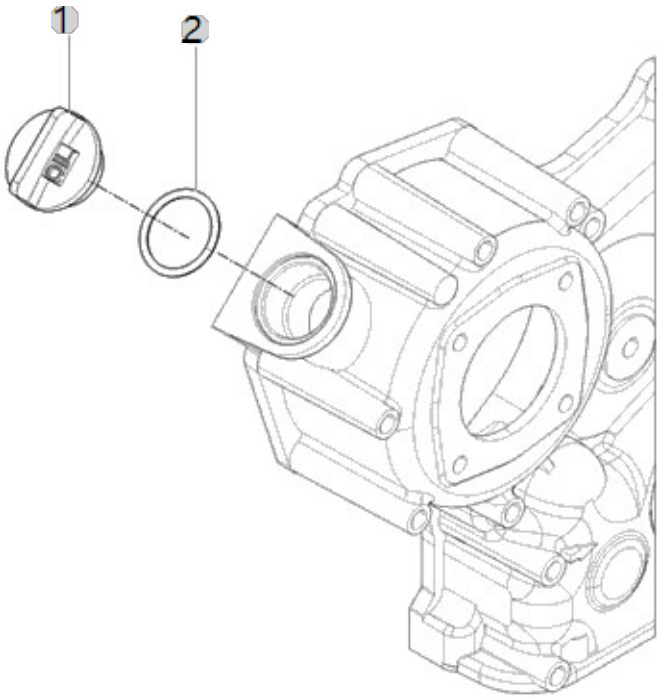
A39\_001

A1700N2-UTR\_4  
(AB00132)

OIL FILLER CAP

Year/Month

2022-12-15





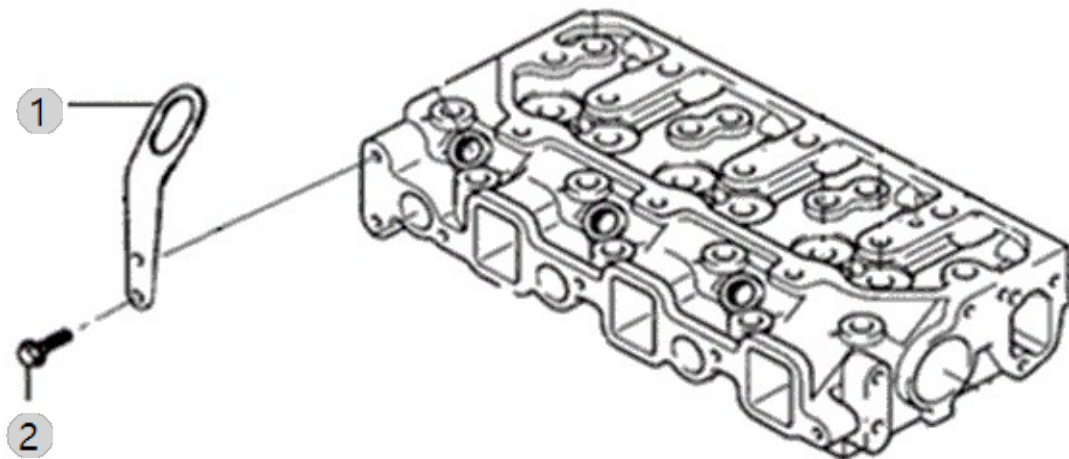
A40\_003

A1700N2-UTR\_4  
(AB00132)

LIFT ASS'Y OPTION

Year/Month

2022-12-15







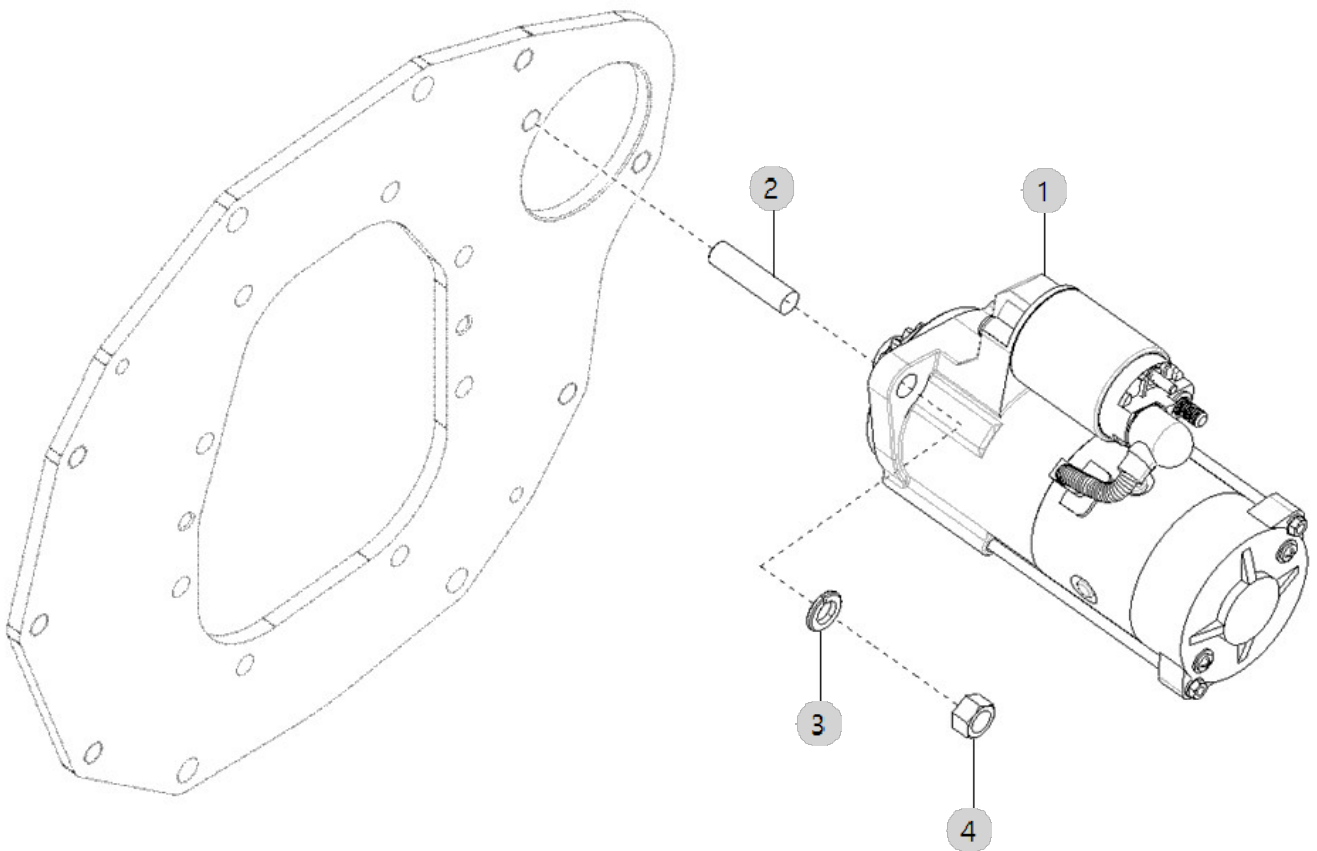
A42\_003

A1700N2-UTR\_4  
(AB00132)

### MOTER, STARTIONS

Year/Month

2022-12-15





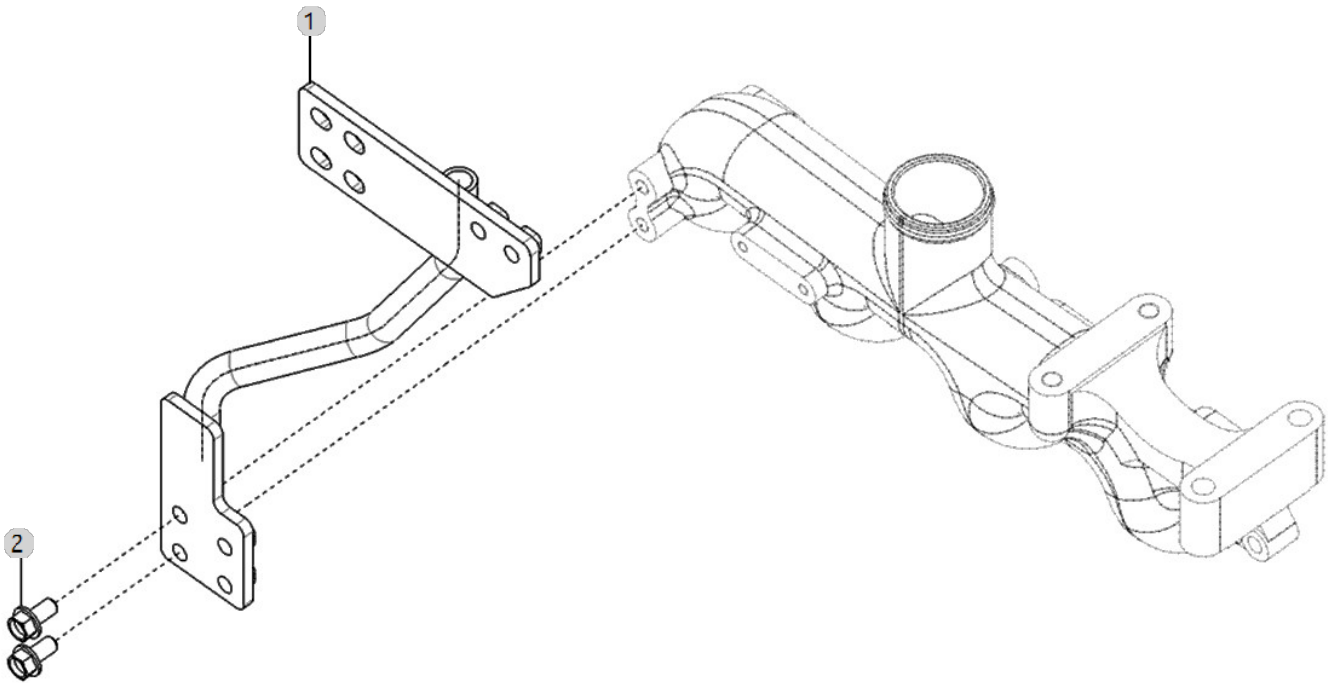
A43\_001

A1700N2-UTR\_4  
(AB00132)

DPF SUPPORT OPTION

Year/Month

2022-12-15





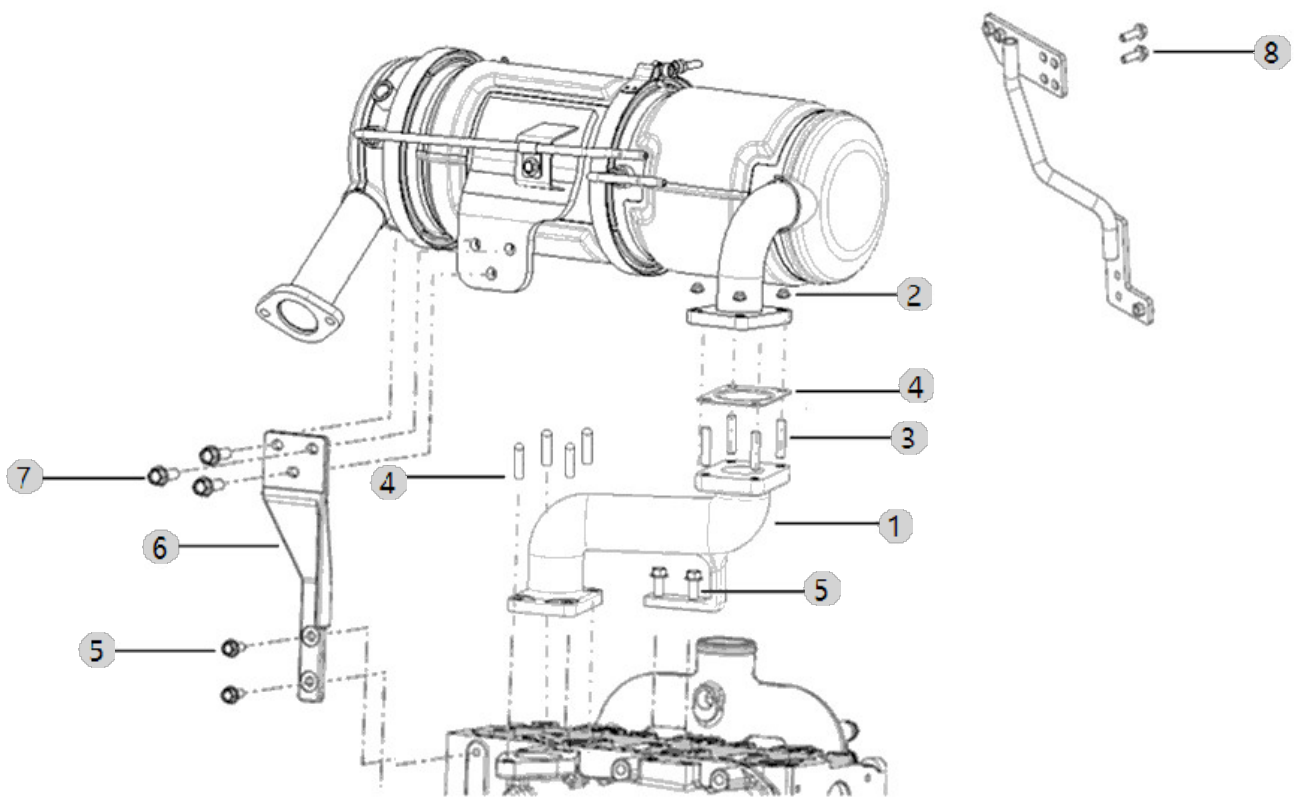
A44\_003

A1700N2-UTR\_4  
(AB00132)

### DPF MOUNTING OPTION

Year/Month

2022-12-15



A44_003 A1700N2-UTR_4 (AB00132)	DPF MOUNTING OPTION	Year/Month 2022-12-15
---------------------------------------	---------------------	--------------------------

순번 (NO)	부품번호 (PART NO)	품명 (PART NAME)	품명 (PART NAME)	수량 (QTY)	규격 (SPEC)	비고 (REMARK)
1	EA00003163A	DPF 서포트(A)	DPF SUPPORT(A)	1		
1	EA00003163B	DPF 서포트(A)	DPF SUPPORT(A)	1		
2	2636A-080002	육각플랜지너트	NUT	8		
3	2621D-080252	심음볼트	BOLT	8		
4	EA00005692A	가스켓(DPF IN)	GASKET(DPF IN)	2		
5	26106-080202	육각플랜지볼트	SQR FLANGE BOLT	4	M8XP1.25X20	
6	EA00003162B	DPF 서포트(B)	DPF SUPPORT(B)	1		
6	EA00003162C	DPF 서포트(B)	DPF SUPPORT(B)	1		
7	26106-100302	육각플랜지볼트	HEXFLANGE BOLT	3	M10XP1.5X30	
8	26106-080252	육각플랜지볼트	SCREW,HEXFLANGE HEADCAP	2	M8XP1.25X25	

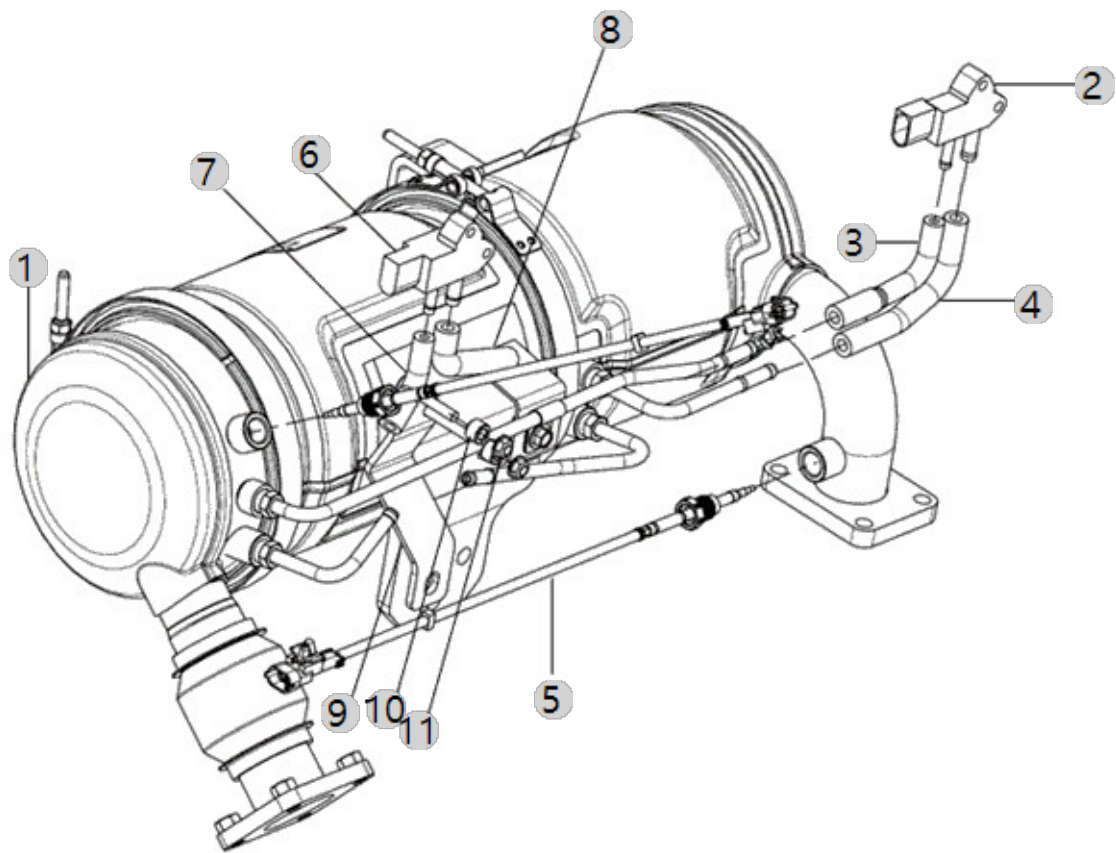
A45\_012

A1700N2-UTR\_4  
(AB00132)

DPF

Year/Month

2022-12-15







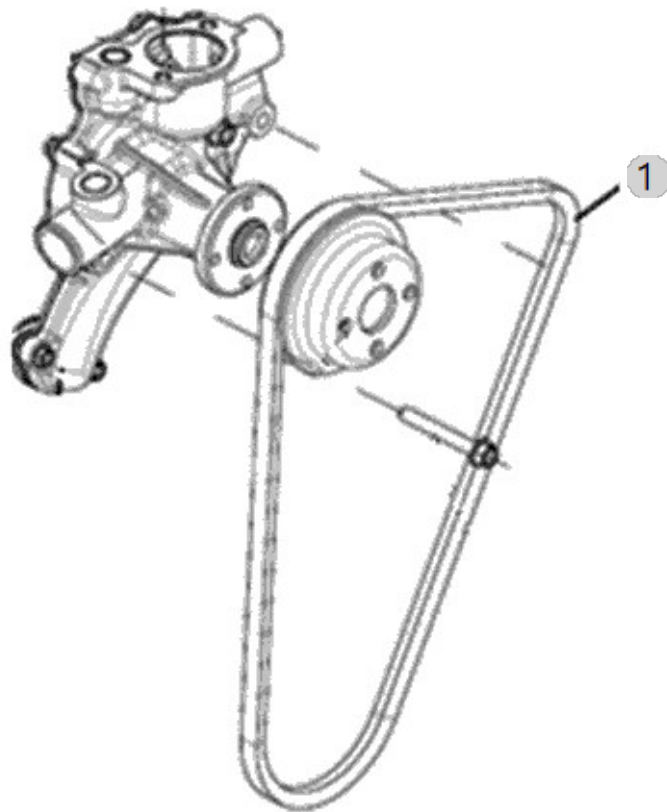
A48\_006

A1700N2-UTR\_4  
(AB00132)

V-BELT

Year/Month

2022-12-15





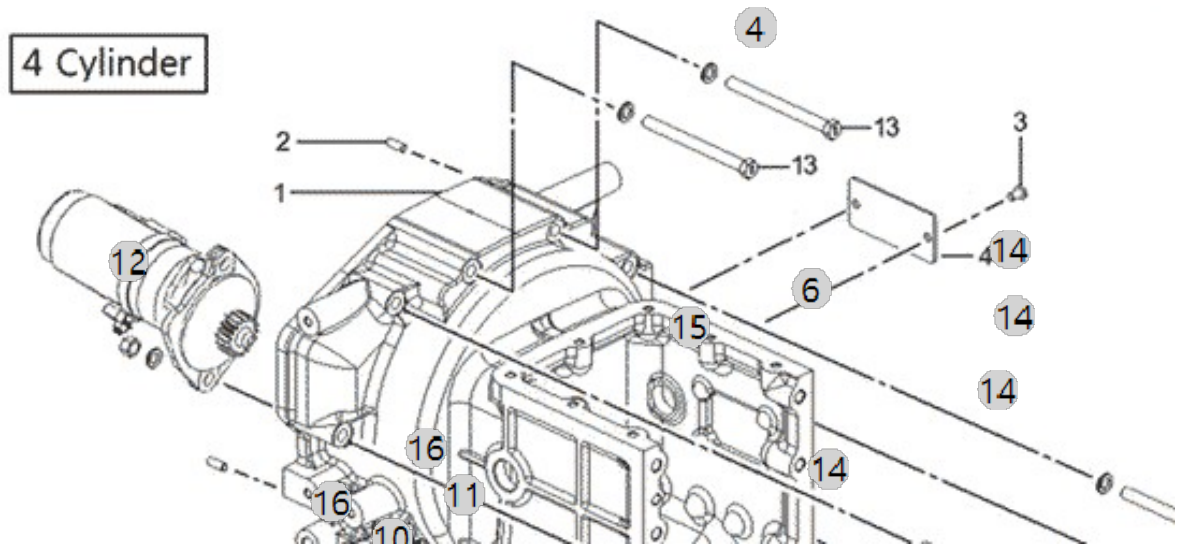
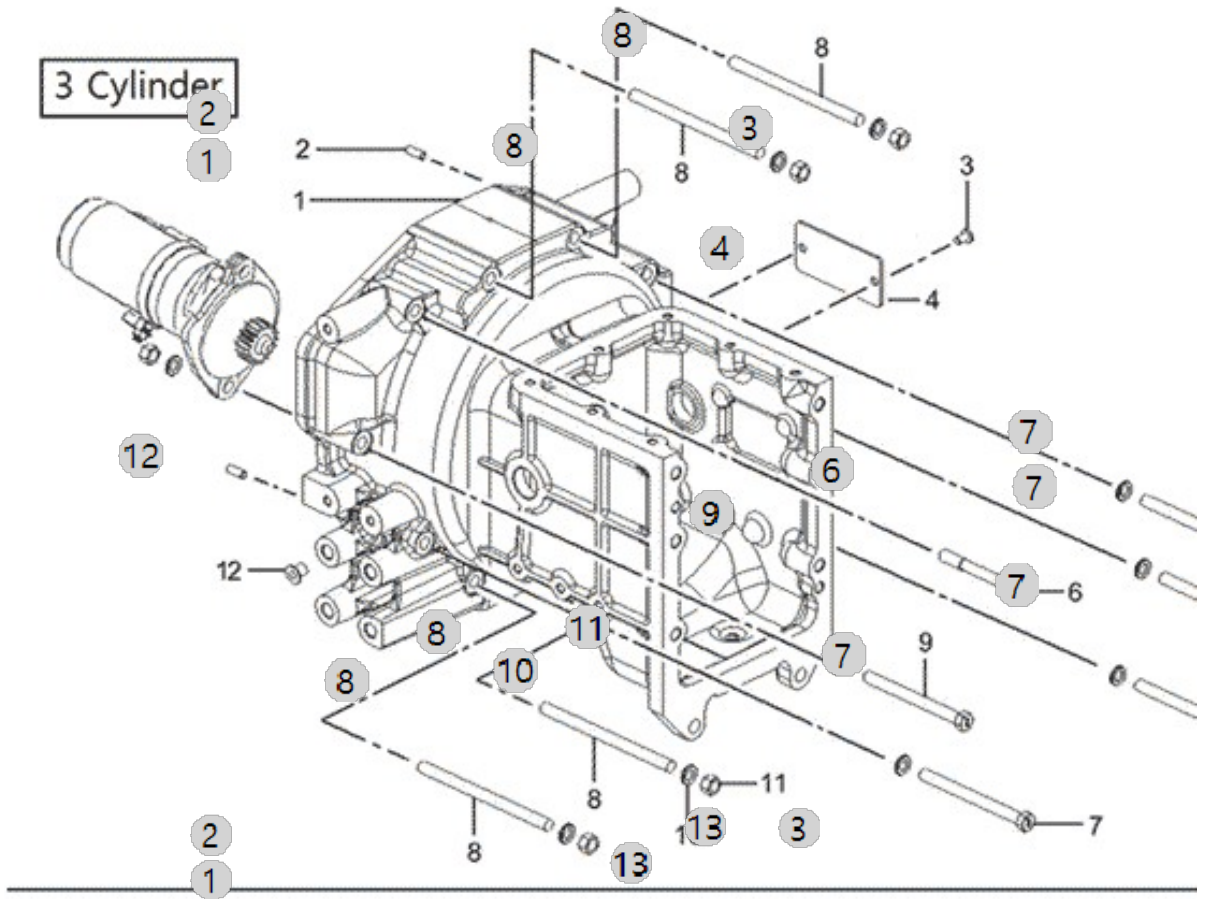
F01011

20H TM(US)\_3기통  
\_RANGE4(AC01758)

FLY WHEEL HOUSING

Year/Month

2022-12-15





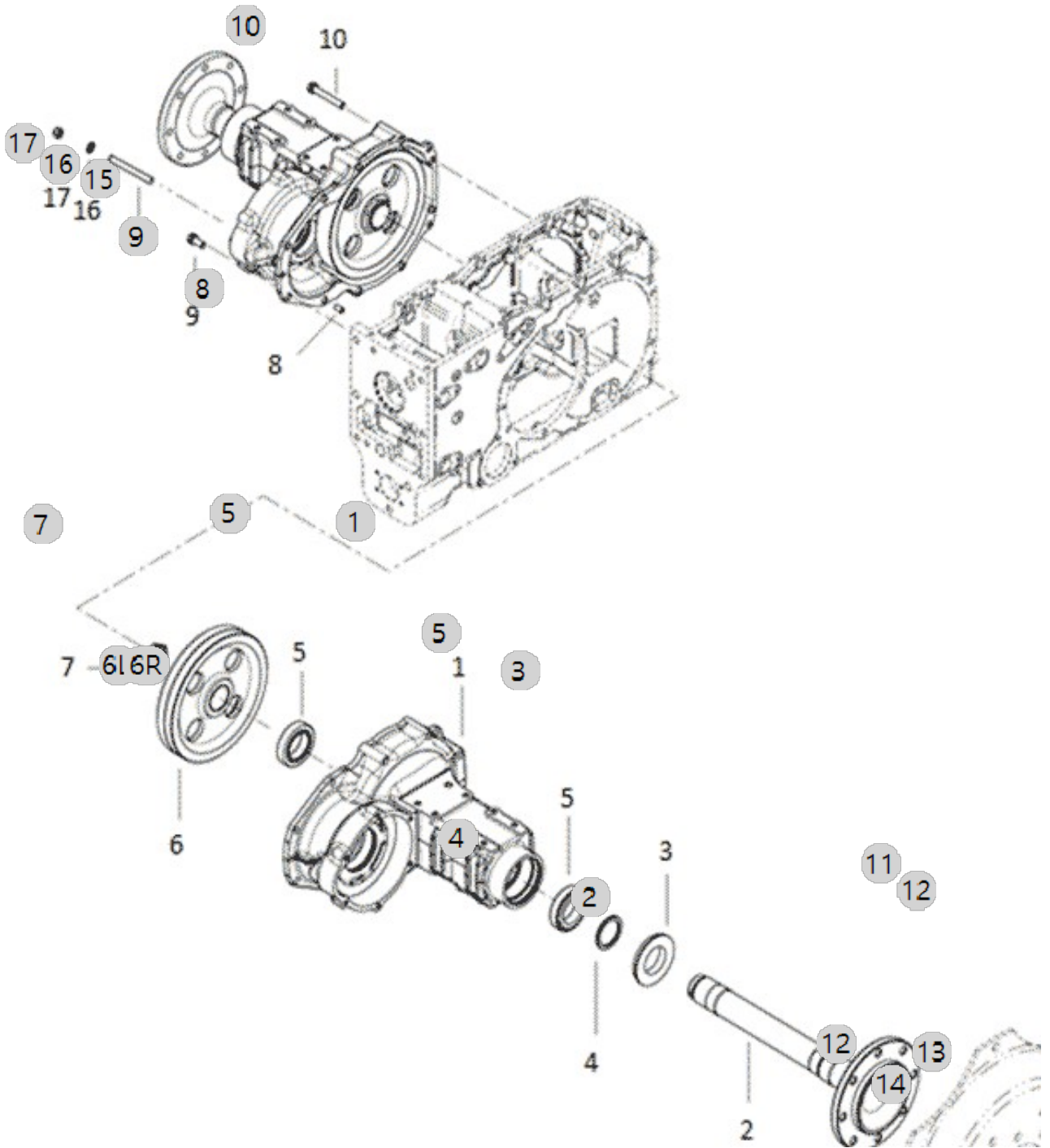
F01030

20H TM(US)\_3기통  
\_RANGE4(AC01758)

HOUSING, REAR AXLE

Year/Month

2022-12-15



F01030		HOUSING, REAR AXLE				Year/Month
20H TM(US)_3기통 RANGE4(AC01758)						2022-12-15
순번 (NO)	부품번호 (PART NO)	품명 (PART NAME)	품명 (PART NAME)	수량 (QTY)	규격 (SPEC)	비고 (REMARK)
1	TA00032604C	후차축 하우징(좌)	REAR HOUSING	2		
1	TA00032604B	후차축 하우징(좌)	REAR HOUSING	2		
1	TA00032604D	후차축 하우징(좌)	REAR HOUSING	2		
1	TA00032604E	후차축 하우징(좌)	REAR HOUSING	2		
2	TA00032595B	후차축	SHAFT	2		
3	TA00033423A	오일실(후차축)	SEAL, OIL (REAR AXLE)	2		
4	TA00033424A	간격판(후차축)	SPACER, REAR AXLE	2		
5	24141-320110	테이퍼롤러베어링	BEARING	4	NONE	DEL.20220411
6L	TA00032602A	후차축 기어LH	GEAR(L)	1		
6R	TA00033829A	후차축기어 RH	GEAR R, REAR AXLE	1		
7	TA00032594A	록 너트	ROCK NUT	2		
7	TA00032594C	락너트(K5,DYNAQ)	ROCK NUT	2		
8	22312-100180	평행핀	PIN, DOWEL (10-18)	4	D10X18	
9	26013-120302	와셔조립육각볼트(+SW)	HEX BOLT W/WASHER	8	M12XP1.75X3	
10	26013-120852	와셔조립육각볼트	BOLT	8		
11	TT85150000B4	심음볼트	BOLT	4	M14XP1.5	
11	TT85150000A4	심음볼트	Bolt	4	M14XP1.5	
12	TB29430000B4	와셔	WASHER	16		
12	TB29430000A4	와셔	WASHER	16	T3.5X35X35	
13	TB29420000B4	너트	NUT M14	4	육각22X20	
13	TB29420000A4	너트M14	NUT M14	4	육각22X20	
14	TB29440000A4	보울트M14X35	BOLTM14X35	12	M14X35	
14	TB29440000B4	육각볼트	BOLTM14X35	12	M14X35	
15	26216-120902	심음보울트12X90	STUD BOLT	4	M12X90	
16	22217-120000	스프링와셔	WASHER, SPRING (Φ 12)	4	M12	
17	26716-120002	295,ALL,육각너트	HEXA NUT295	4	M12X1.75	



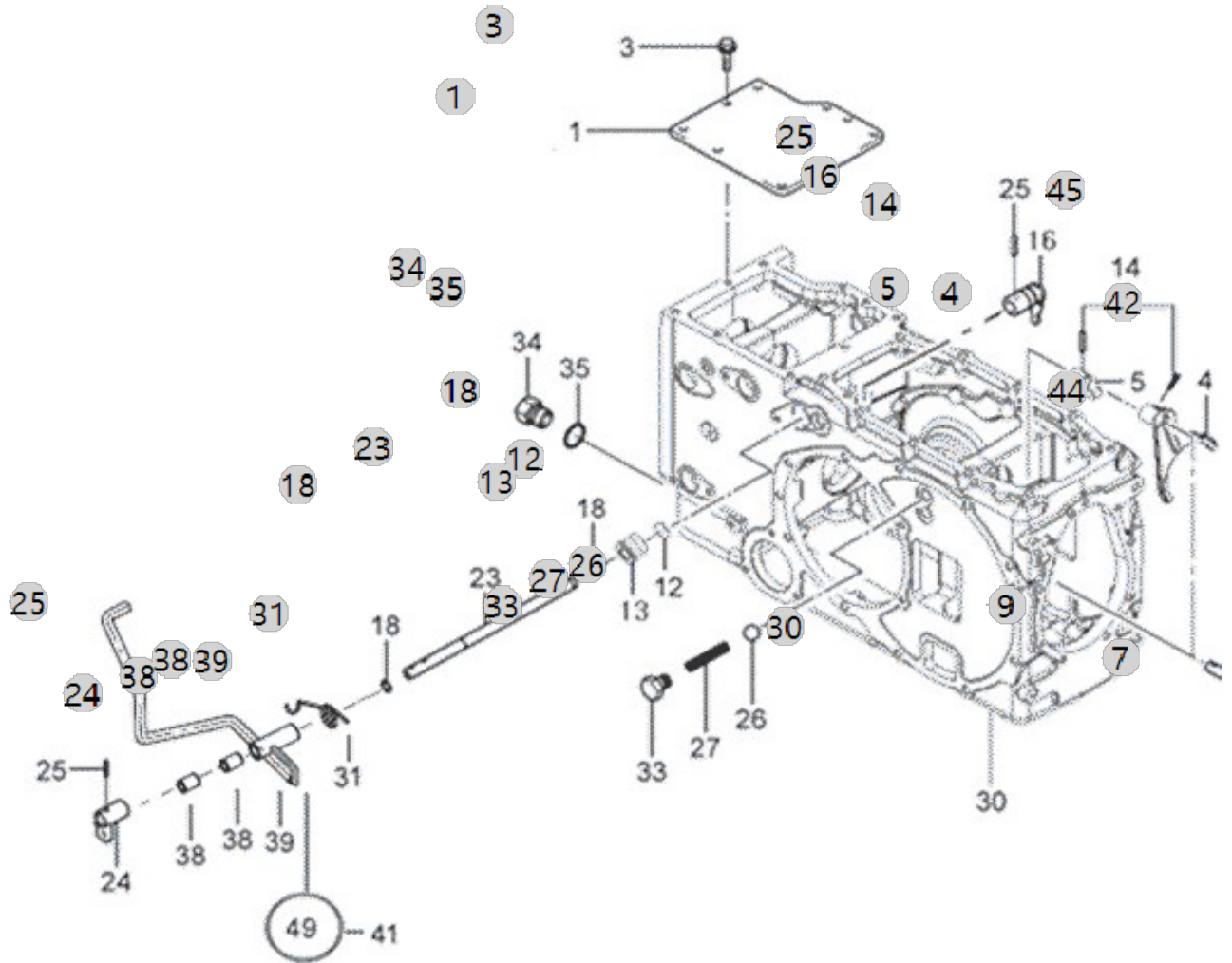
F01040

20H TM(US)\_3기통  
\_RANGE4(AC01758)

REAR AXLE CASE

Year/Month

2022-12-15







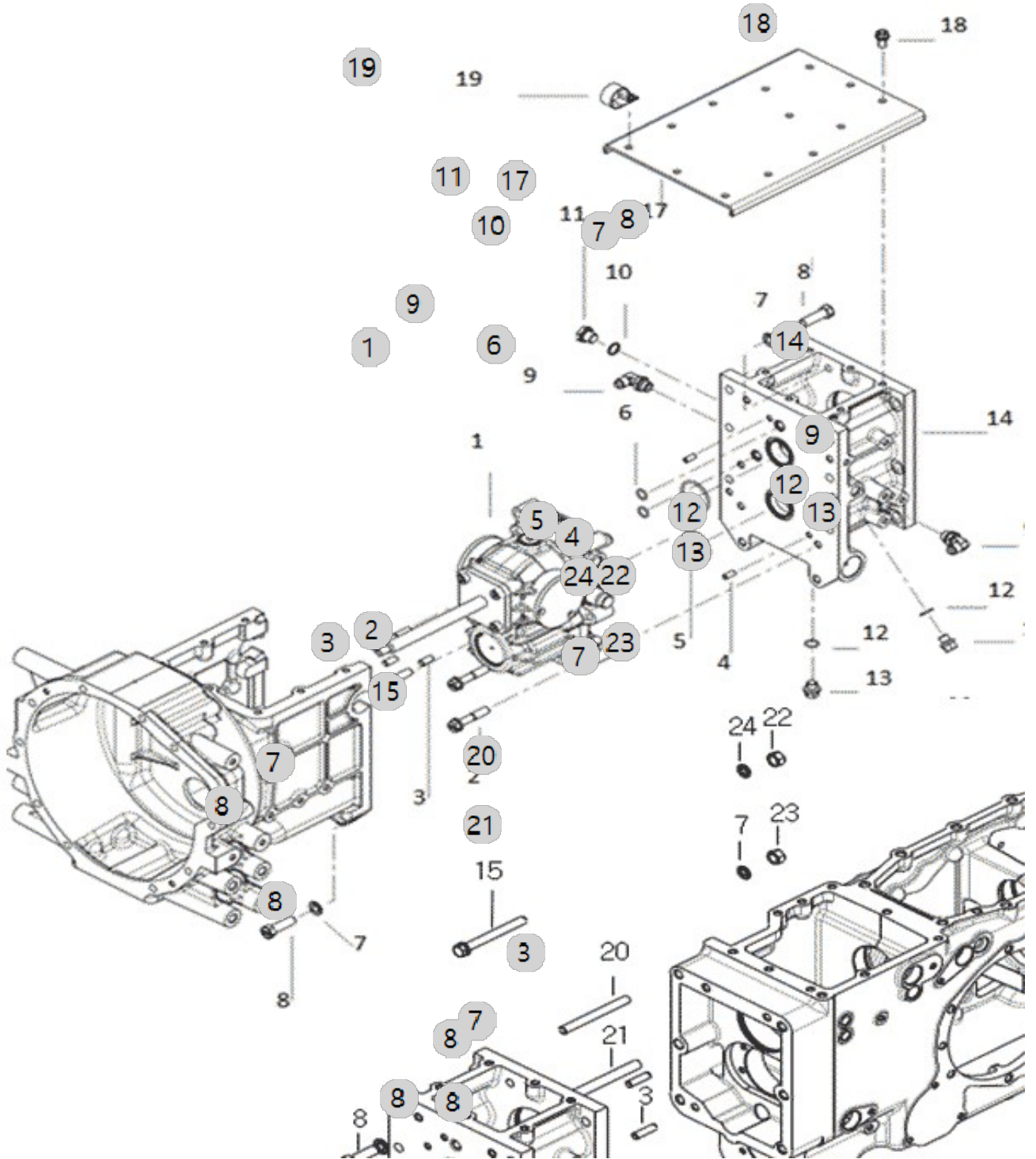
F01050

20H TM(US)\_3기통  
\_RANGE4(AC01758)

### HST HOUSING

Year/Month

2022-12-15





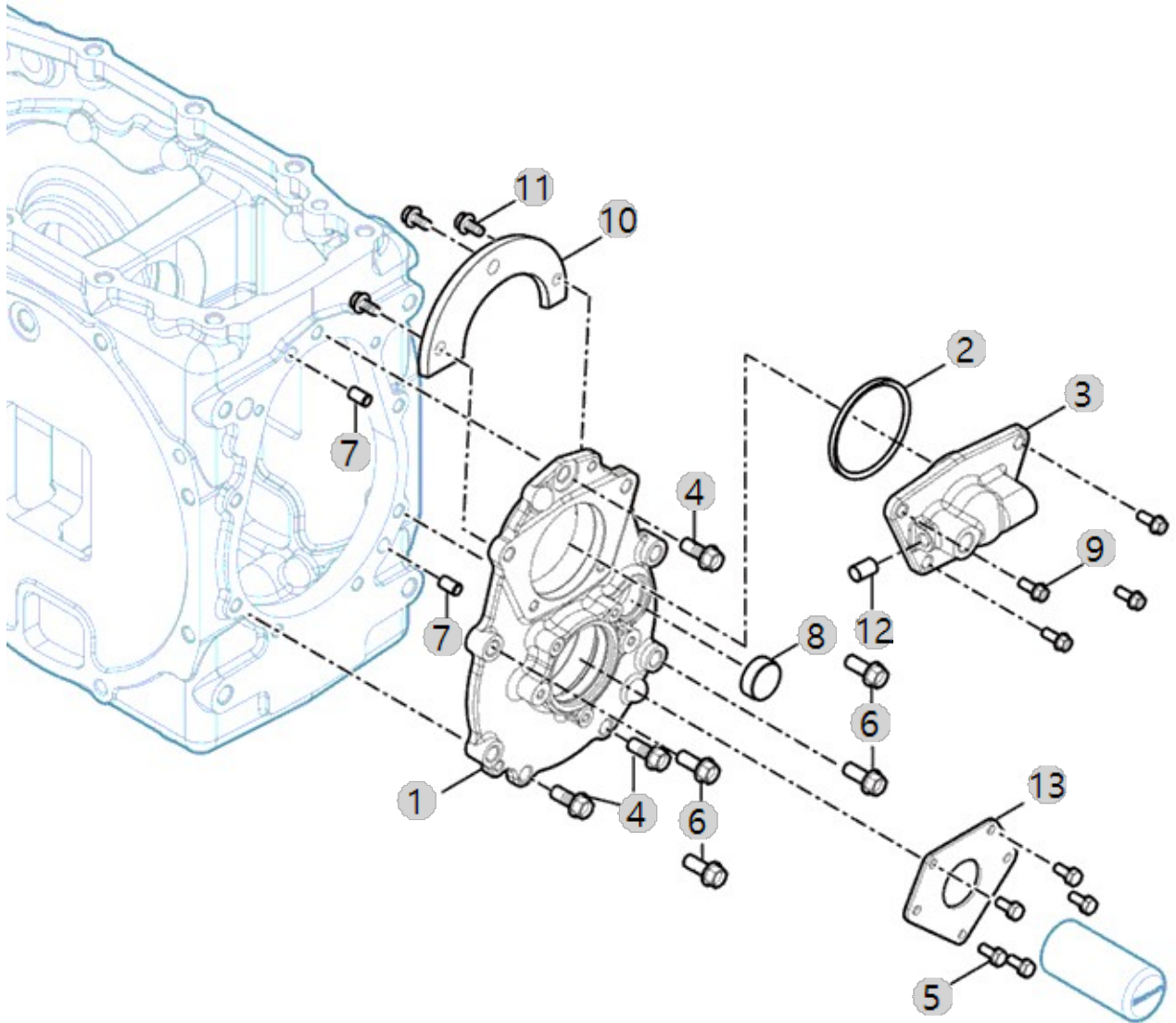
F01060

20H TM(US)\_3기통  
\_RANGE4(AC01758)

PTO COVER

Year/Month

2022-12-15





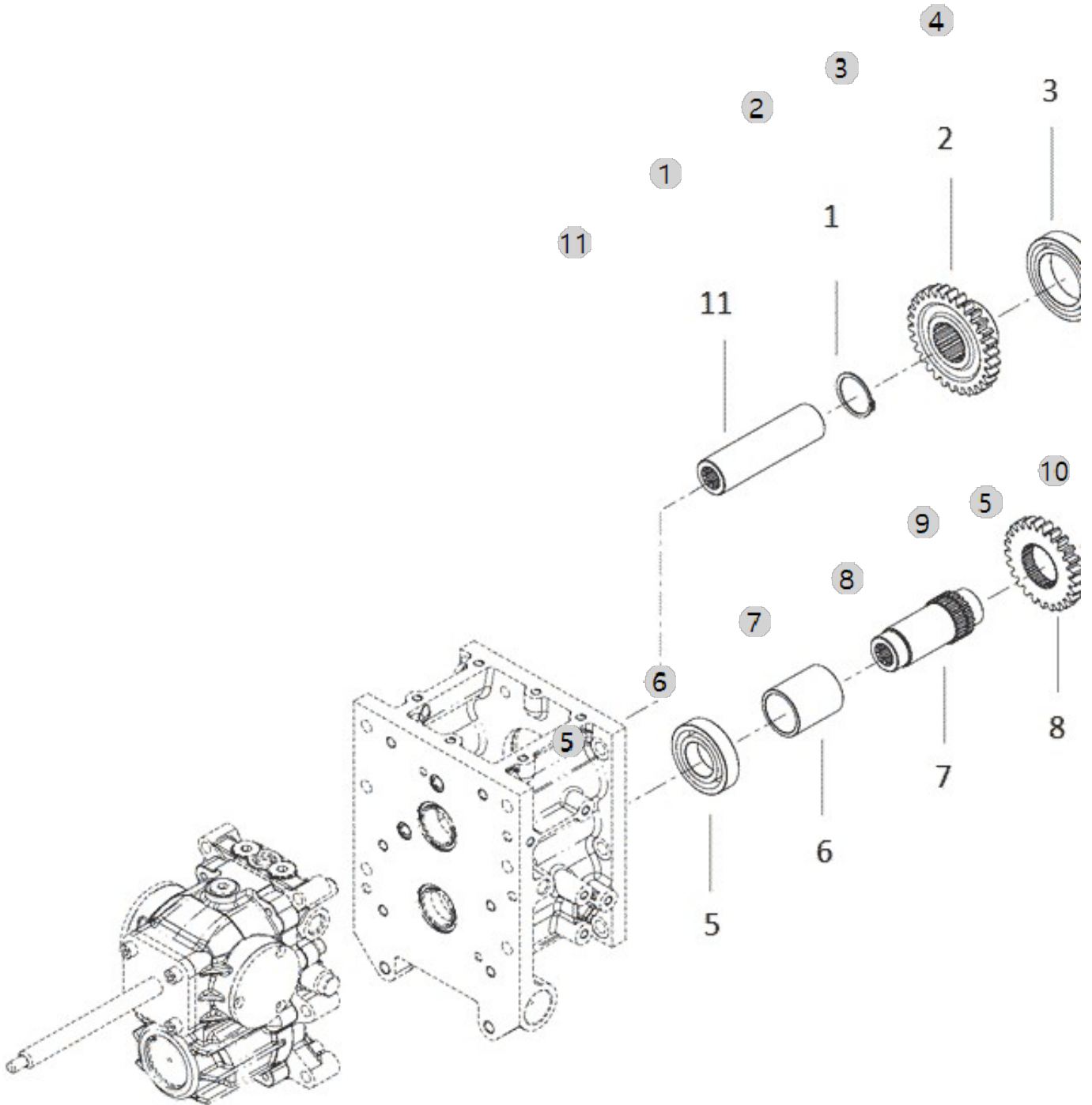
F03030

20H TM(US)\_3기통  
\_RANGE4(AC01758)

### HST GEAR

Year/Month

2022-12-15







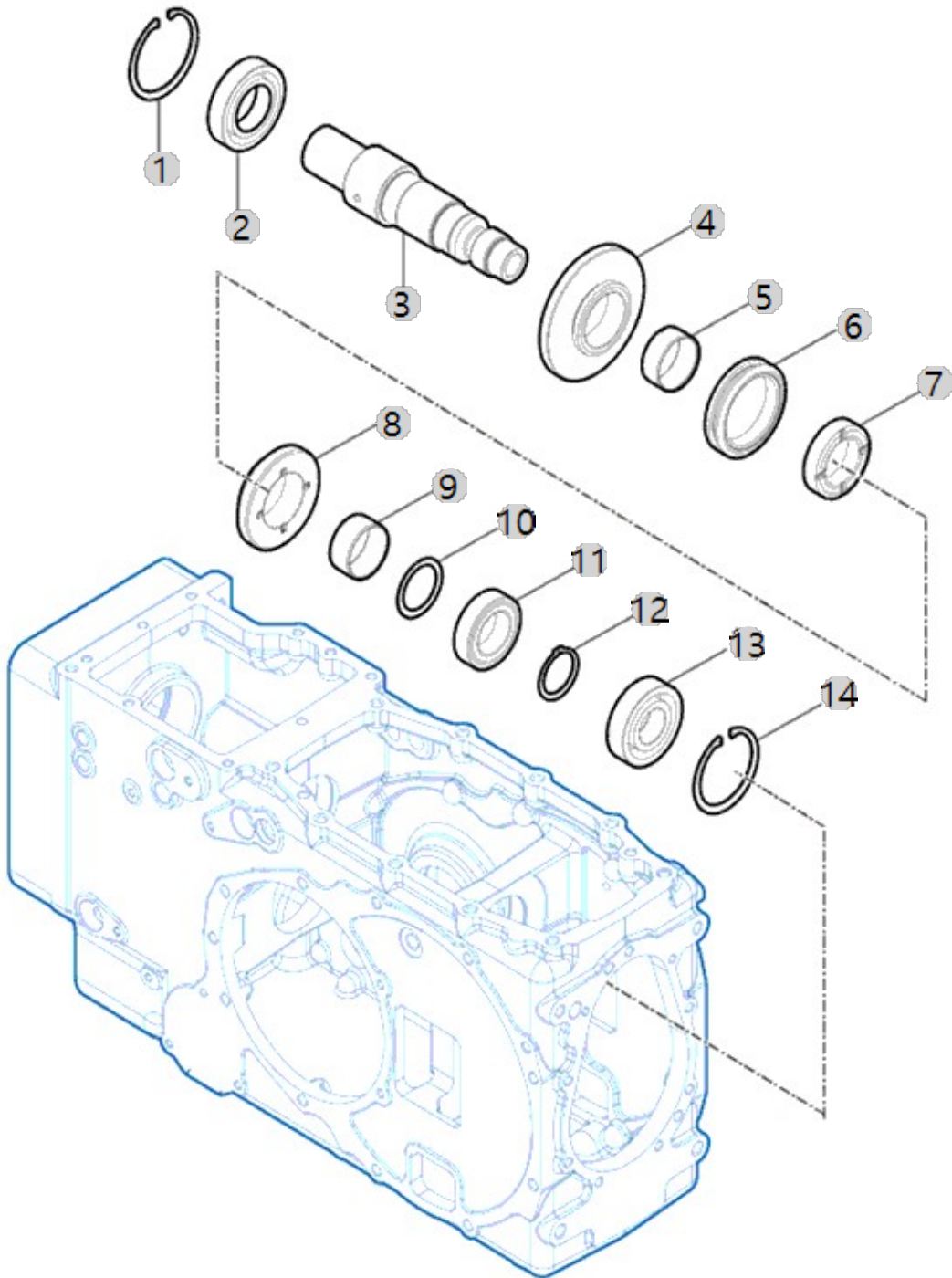
F03040

20H TM(US)\_3기통  
\_RANGE4(AC01758)

RANGE SHIFT DRIVE SHAFT

Year/Month

2022-12-15







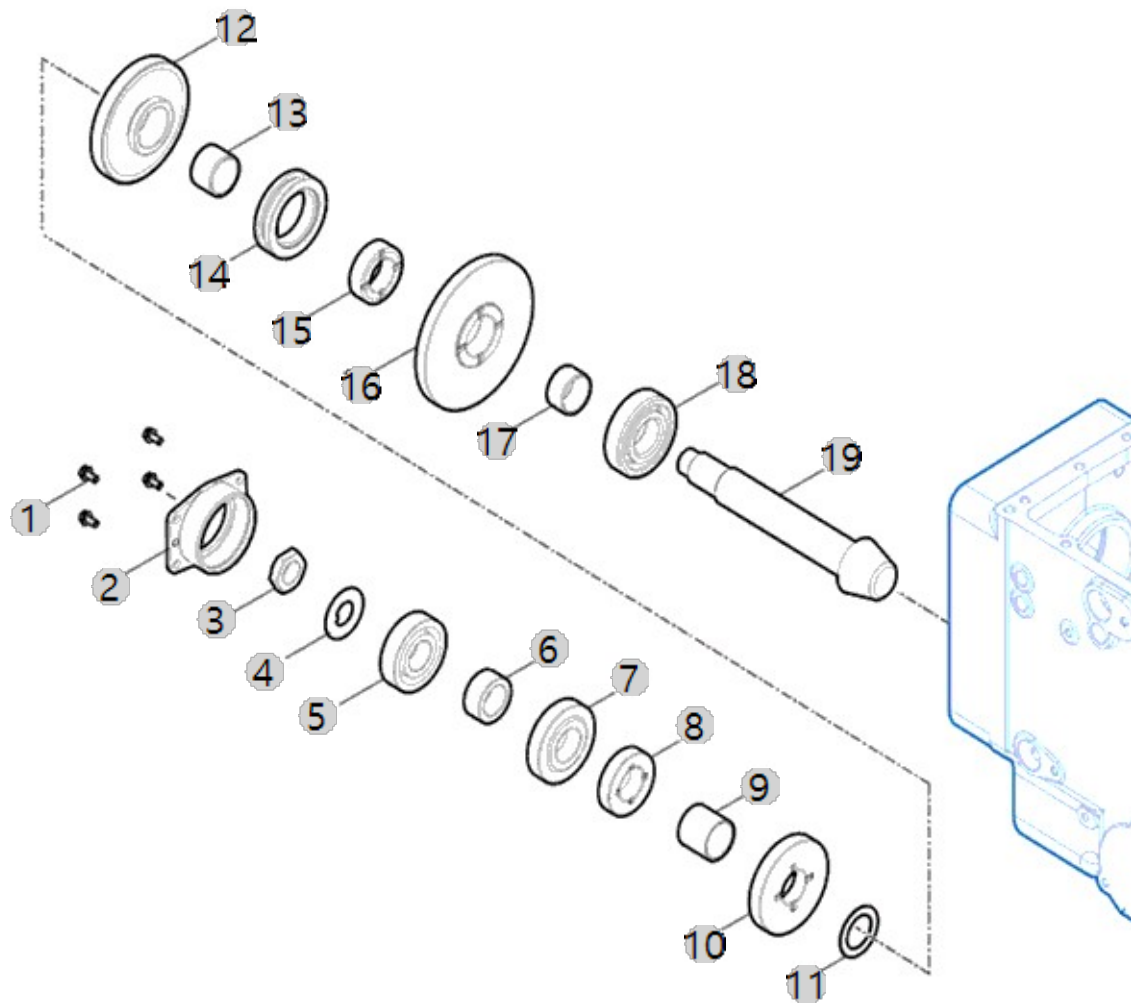
F03050

20H TM(US)\_3기통  
\_RANGE4(AC01758)

RANGE SHIFT DRIVEN SHAFT

Year/Month

2022-12-15





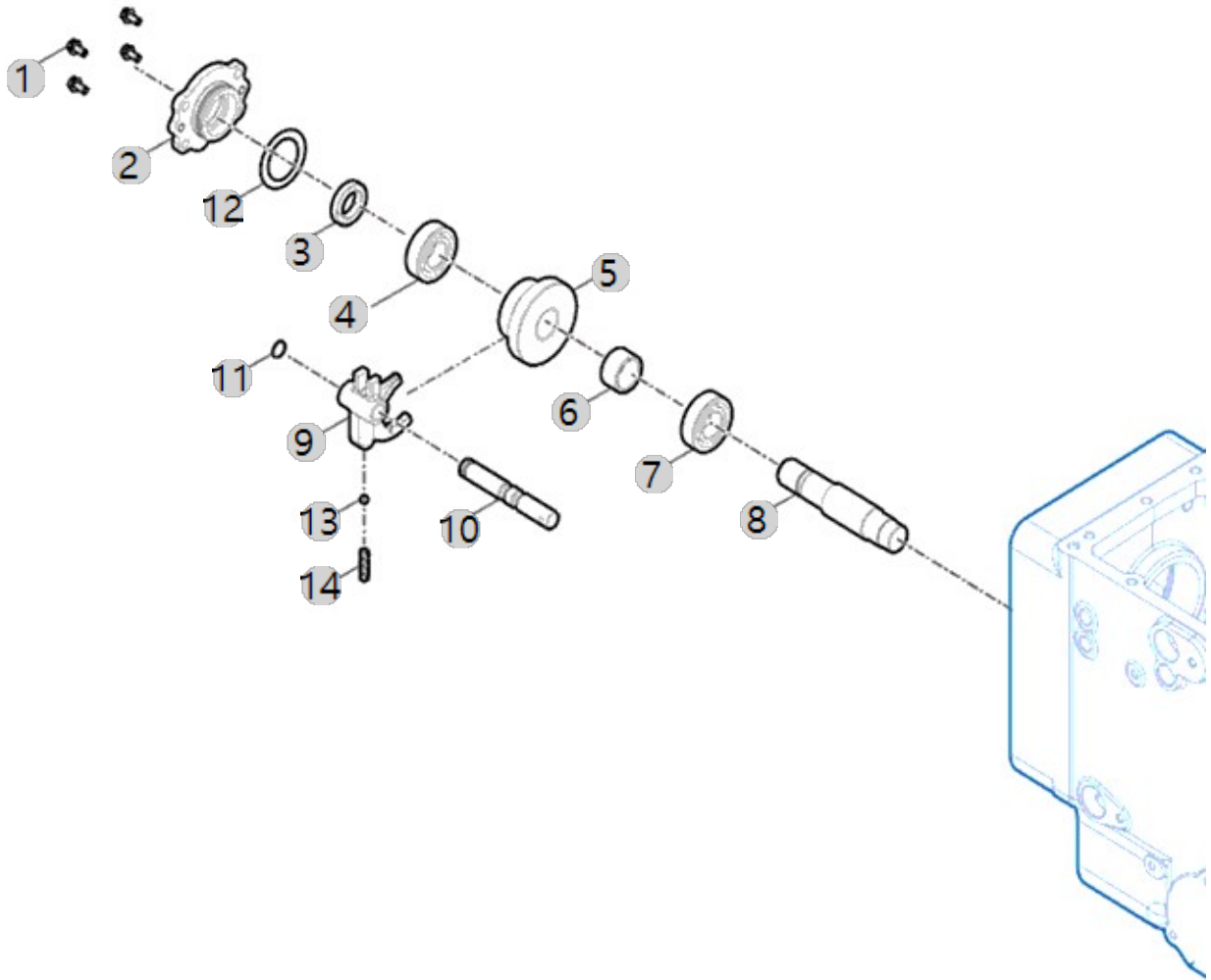
F04010

20H TM(US)\_3기통  
\_RANGE4(AC01758)

FRONT WHEEL DRIVE SHAFT

Year/Month

2022-12-15





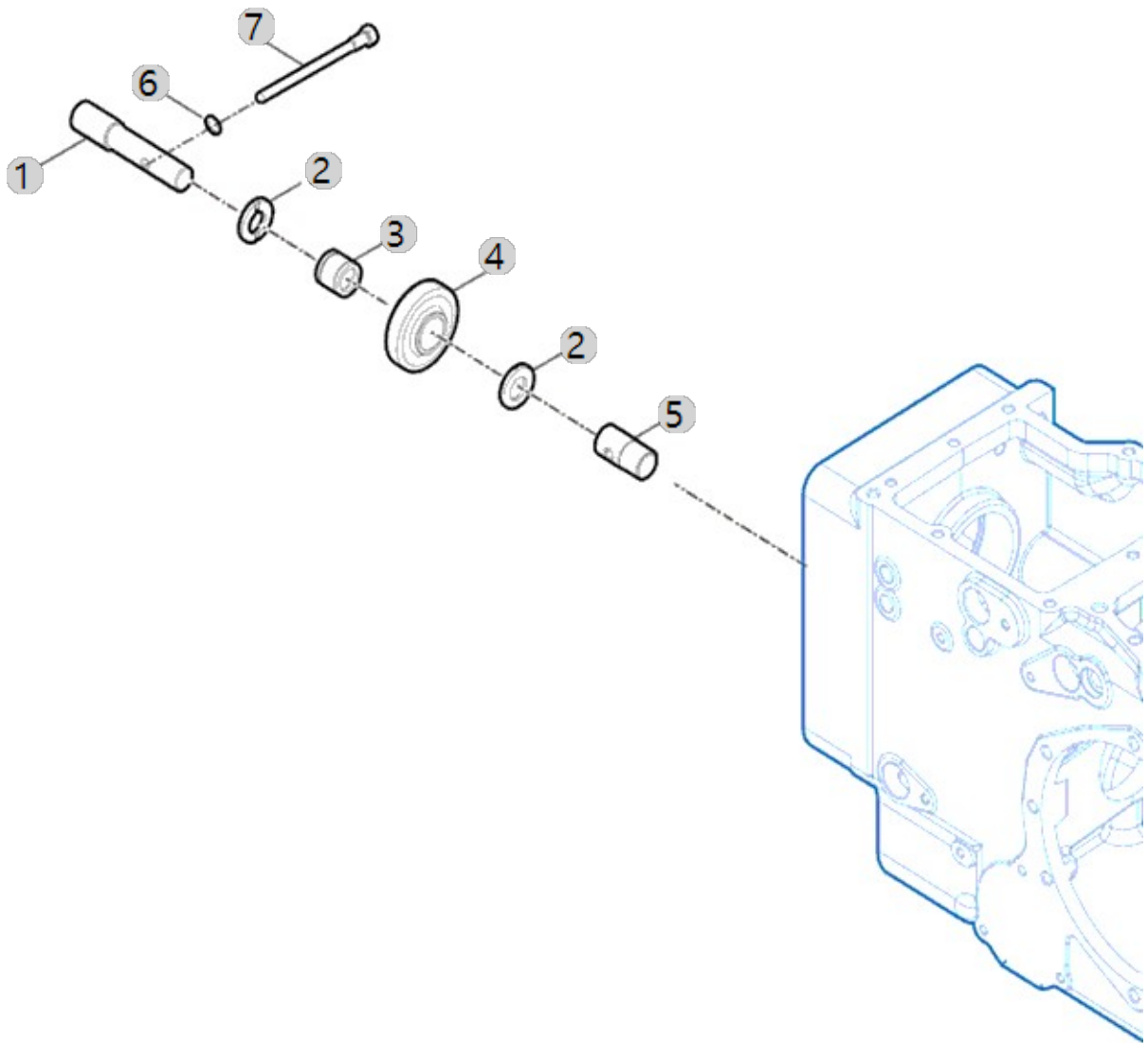
F04030

20H TM(US)\_3기통  
\_RANGE4(AC01758)

FRONT WHEEL DRIVE IDLE SHAFT

Year/Month

2022-12-15





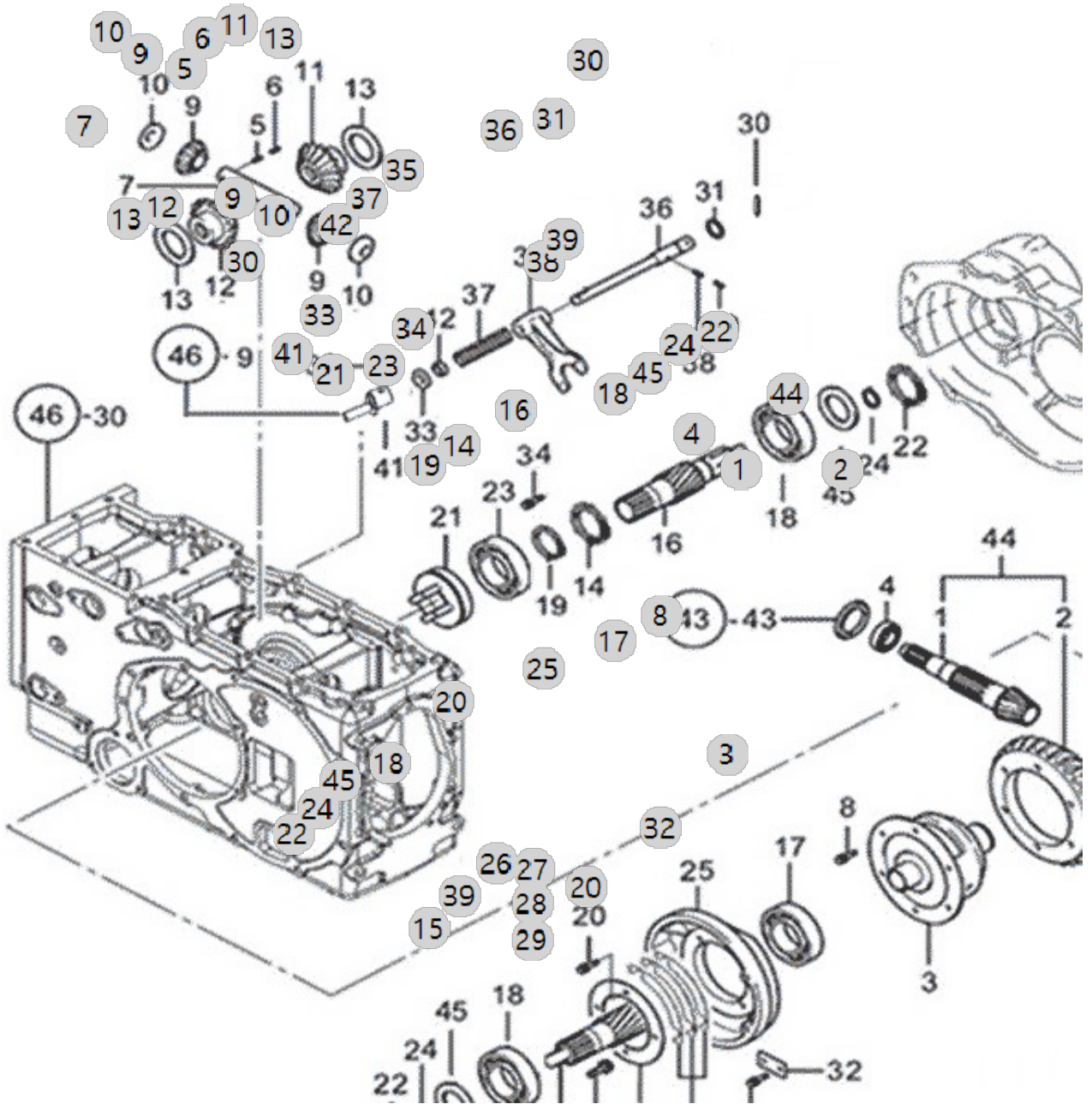
F05020

20H TM(US)\_3기통  
\_RANGE4(AC01758)

REAR DIFFERENTIAL

Year/Month

2022-12-15





F05020 20H TM(US)_3기통 _RANGE4(AC01758)		REAR DIFFERENTIAL				Year/Month
						2022-12-15
순번 (NO)	부품번호 (PART NO)	품명 (PART NAME)	품명 (PART NAME)	수량 (QTY)	규격 (SPEC)	비고 (REMARK)
1	TA00054487B	카운터축	COUNTER SHAFT	1		
1	TA00054487C	카운터축	COUNTER SHAFT	1		
2	TN49520000D2	링기어	RINGGEAR	1		
3	TN49030000E2	차동케이스	CASE,DIFFERENTIAL	1		
4	TT78020000A3	베어링NJ307R	BEARINGNJ307R	1	NJ307R	DEL.20220323
5	22312-060360	평행핀	PIN, DOWEL (6-36)	1	D6X36	
6	22351-060032	스프링핀	PIN, SPRING (6-32)	1	D6X32	
7	TF64080000A4	피니언축	PINIONSHAFT	1		
8	TF64090000B4	볼트	BOLT	6		
9	TF64100000B3	차동피니언	PINION	2		
10	TF64110000A4	피니언라이너	PINIONLINER	2	T1.0	
11	TF64120000A3	차동사이드기어(A)	DIFF.SIDEGEAR(A)	1		
12	TF64130000A3	차동사이드기어(B)	DIFF.SIDEGEAR(B)	1		
13	TF64140000B4	사이드기어라이너	SIDEGEARLINER	2		
14	22252-000800	구멍용스냅링80	RING, CIRCLIP (Φ 80)	1	D80	
15	TA00032603C	파이널 기어(좌)	FINAL PINION(L)	1		
15	TA00032603B	파이널 기어(좌)	FINAL PINION(L)	1		
15	TA00032603D	파이널 기어(좌)	FINAL PINION(L)	1		
15	TA00032603E	파이널 피니언(좌)	FINAL PINION(L)	1		
16	TA00032596D	파이널 피니언(우)	FINAL PINION(R)	1		
16	TA00032596C	파이널 피니언(우)	FINAL PINION(R)	1		
16	TA00032596B	파이널 피니언(우)	FINAL PINION(R)	1		
16	TA00032596E	파이널 피니언(우)	FINAL PINION(R)	1		
17	24101-062114	볼베어링6211	Bearing, Ball (#6211)	1	#6211	
18	TF64190000A4	베어링6308HL1	BALL BEARING (#6308HL1) -> TF64190000A3	2	NJ307R	DEL.20220323
19	22242-000500	축용스냅링50	SNAP RING, SHAFT (Φ50)	1	D50	
20	26013-080202	와셔조립육각볼트(+SW)	Bolt, Hexa (8-20)	4	M8XP1.25X20	
21	TF64250000B3	데프록스러스트	THRUST, DIFF-LOCK ASSY	1		
22	22252-000900	구멍용스냅링90	RING, CIRCLIP (Φ 90)	2	D90	
23	24101-060104	볼베어링6010	Bearing, Ball (#6010)	1	#6010	
24	22242-000400	축용스냅링40	SNAP RING, SHAFT (Φ 40)	2	D40	
25	TN49550000B2	캐리어	CARRIOR	1		
26	TN49590000A4	리테이너	RETAINER	1		
27	TZ49560000A4	심A(0.5)	SHIMA	3		
28	TZ49570000A4	심B(0.3)	SHIMB	3		
29	TZ49580000A4	심C(0.1)	SHIMC	2		
30	22351-080032	스프링핀	PIN, SPRING (8-32)	2	D8X32	
31	24311-000160	O-링 P 16	O-RING, DYNAMIC (Φ16)	1	P16	
32	TB32360000A4	리테이너	RETAINER	2	T4.5X25X50	
33	TN49380000A4	와셔	WASHER	1	T4.2X30X30	
34	26013-080202	와셔조립육각볼트(+SW)	Bolt, Hexa (8-20)	9	M8XP1.25X20	
35	TN49400000B2	차동포크	FORKDIFFERENTIALLOCK	1		
36	TA00027271B	포크축	SHAFT	1		
36	TA00027271C	포크축	SHAFT	1		
37	TN49430000A4	스프링	SPRING	1	D4.0	





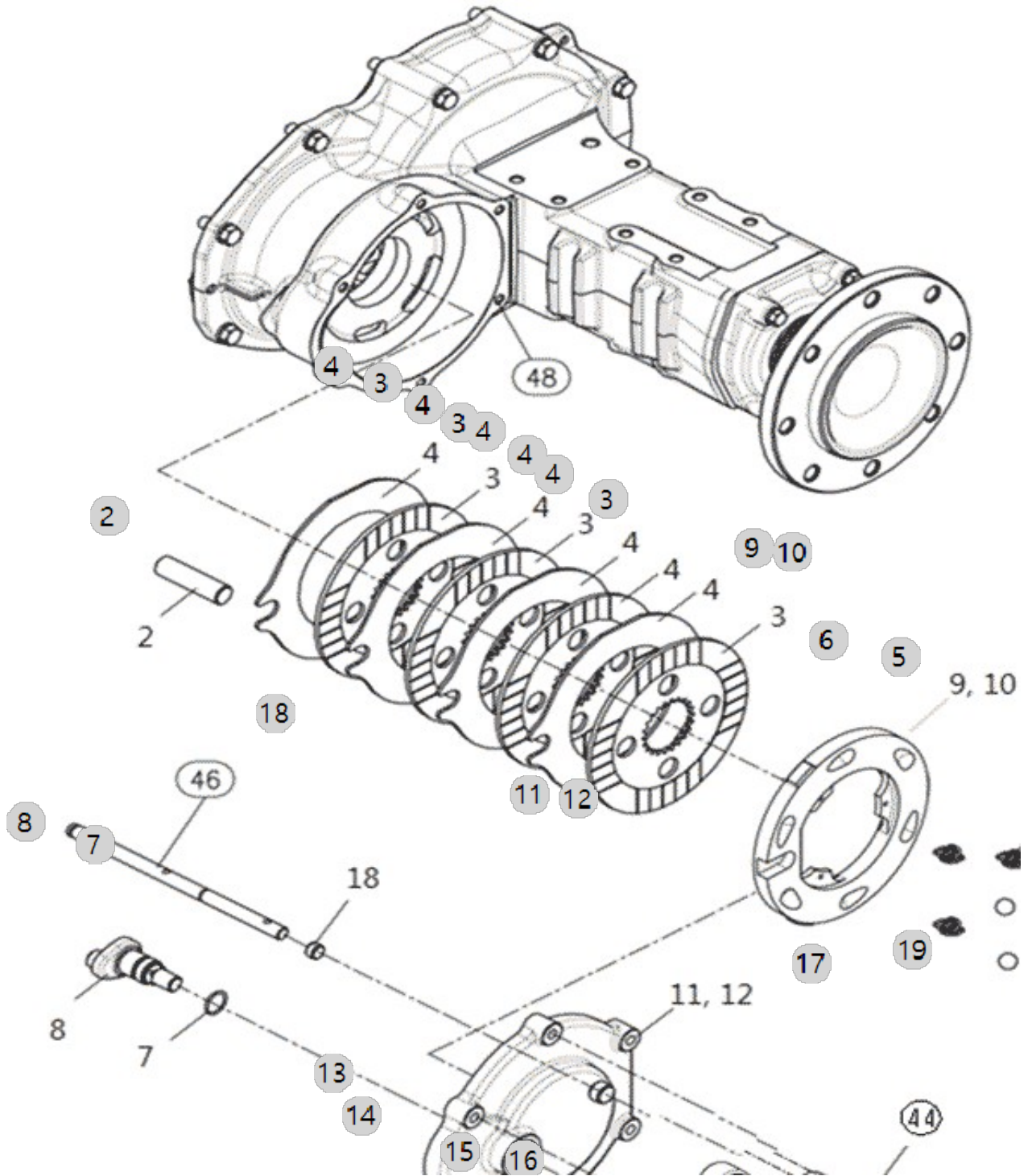
F06030

20H TM(US)\_3기통  
\_RANGE4(AC01758)

BRAKE

Year/Month

2022-12-15





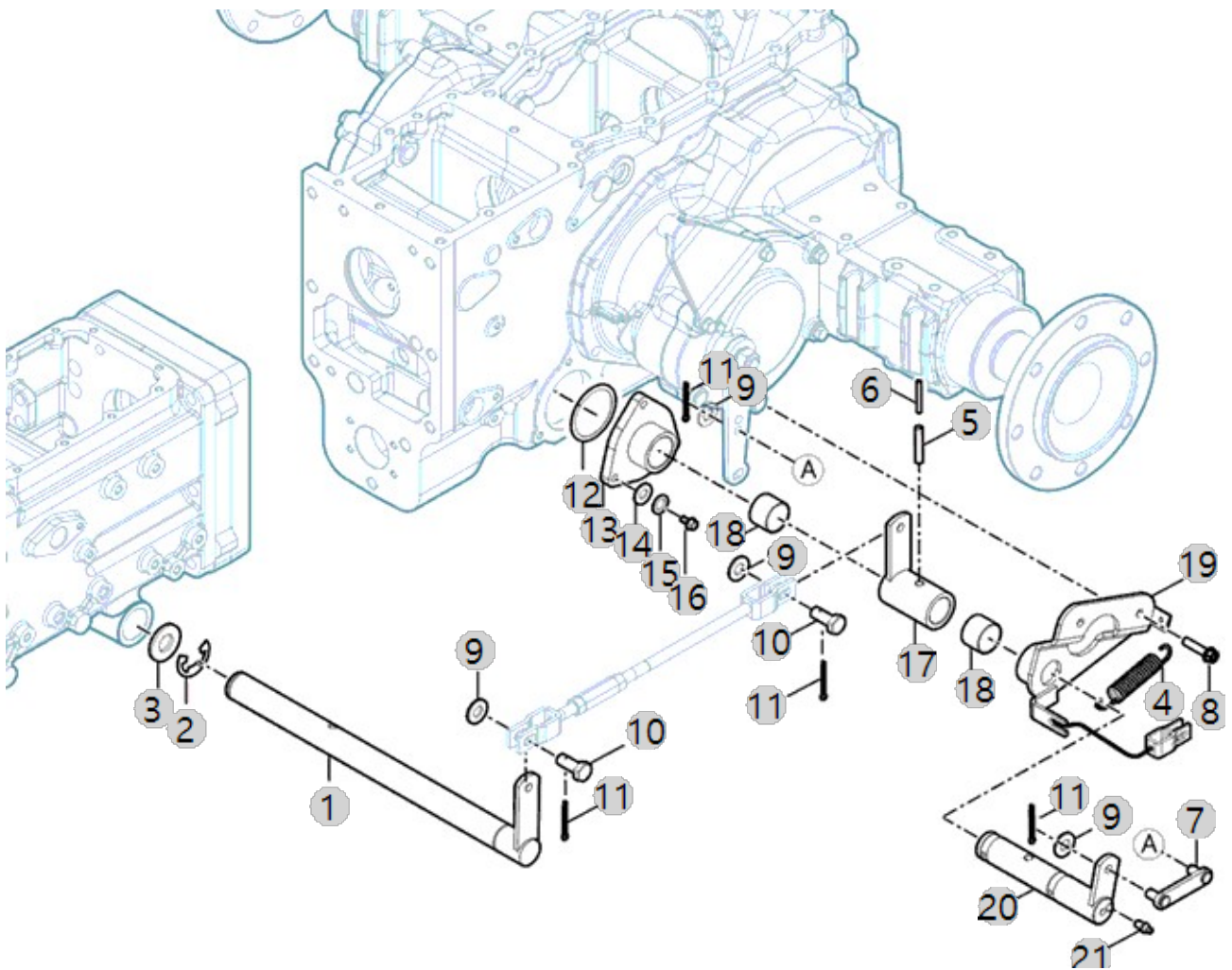
F06031

20H TM(US)\_3기통  
\_RANGE4(AC01758)

SUPPORT, BRAKE

Year/Month

2022-12-15





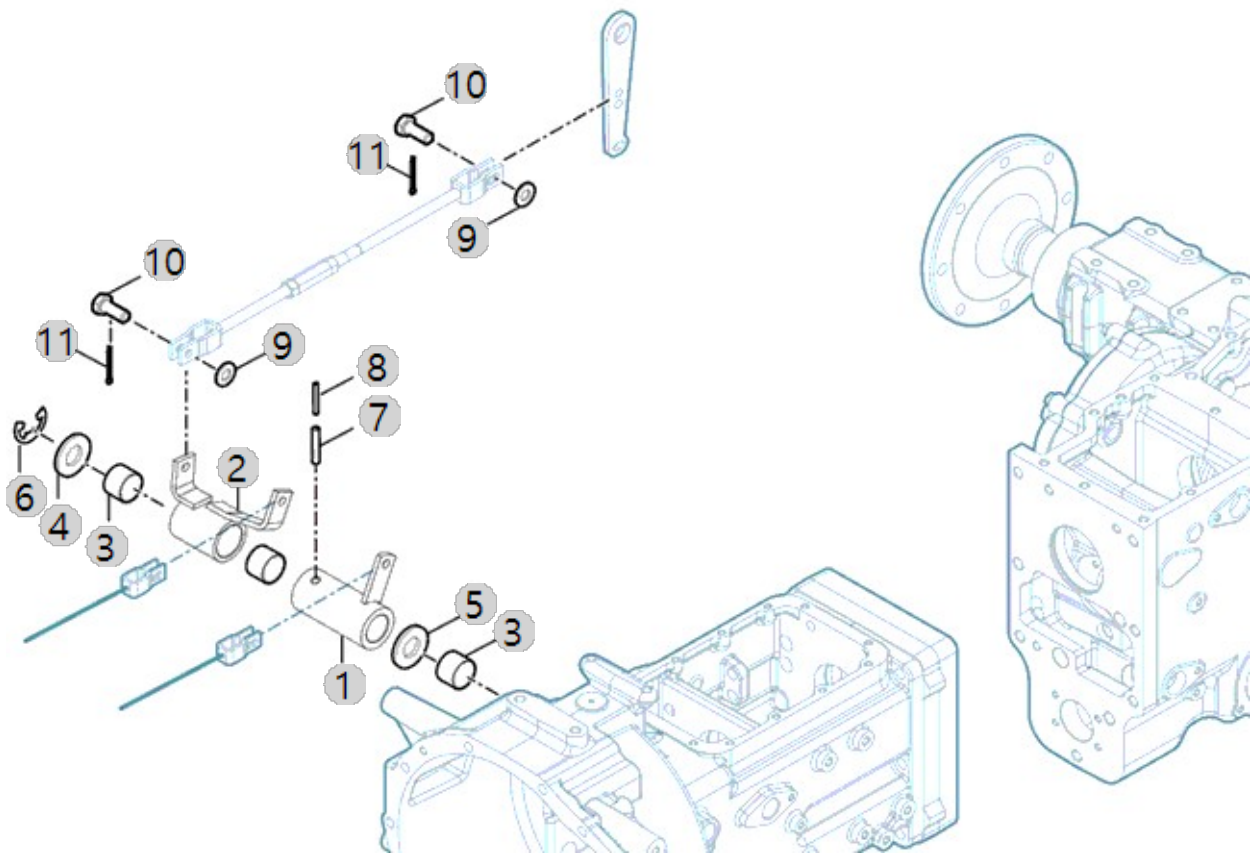
F06033

20H TM(US)\_3기통  
\_RANGE4(AC01758)

BRAKE LINK

Year/Month

2022-12-15







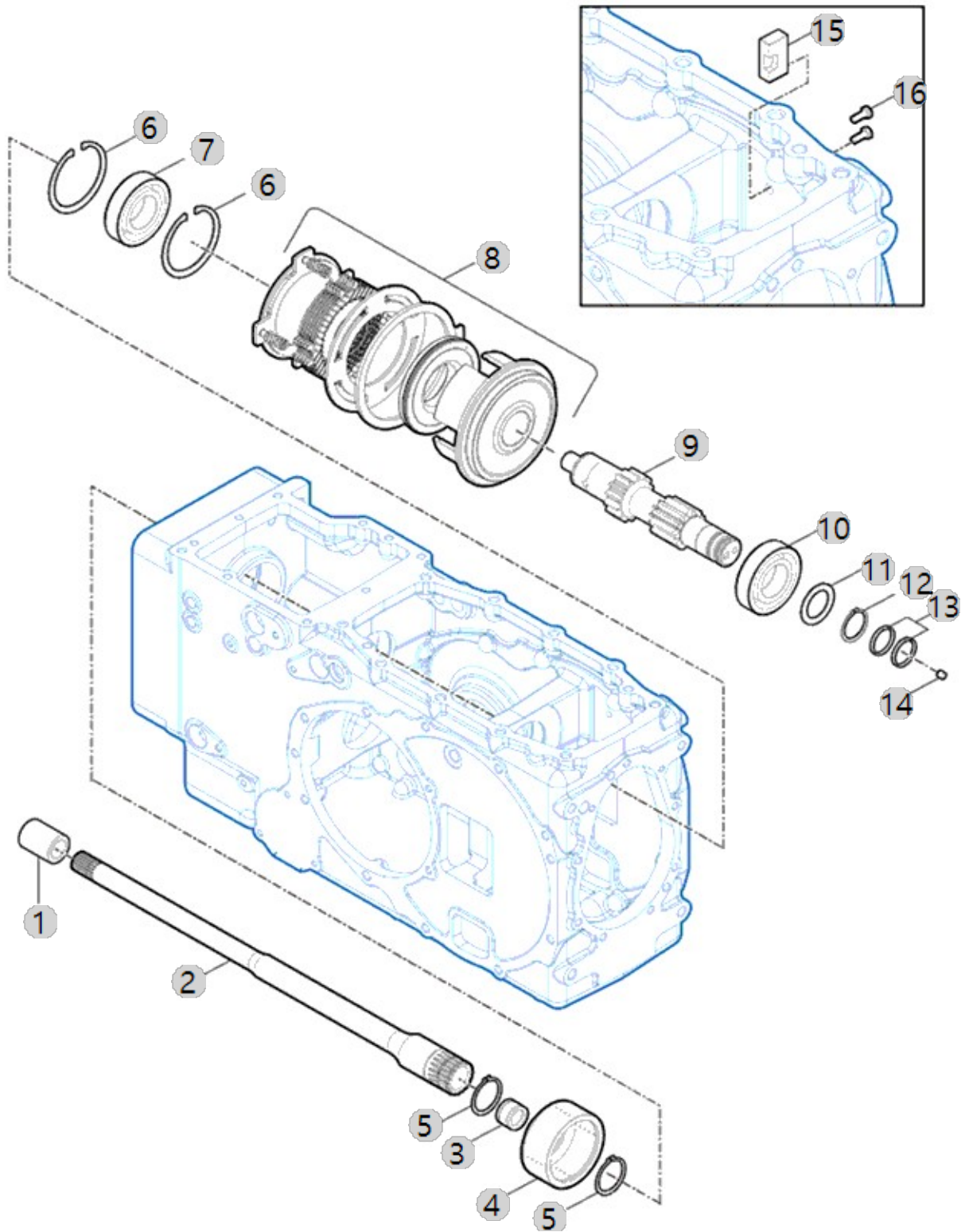
F07030

20H TM(US)\_3기통  
\_RANGE4(AC01758)

PTO DRIVE SHAFT

Year/Month

2022-12-15







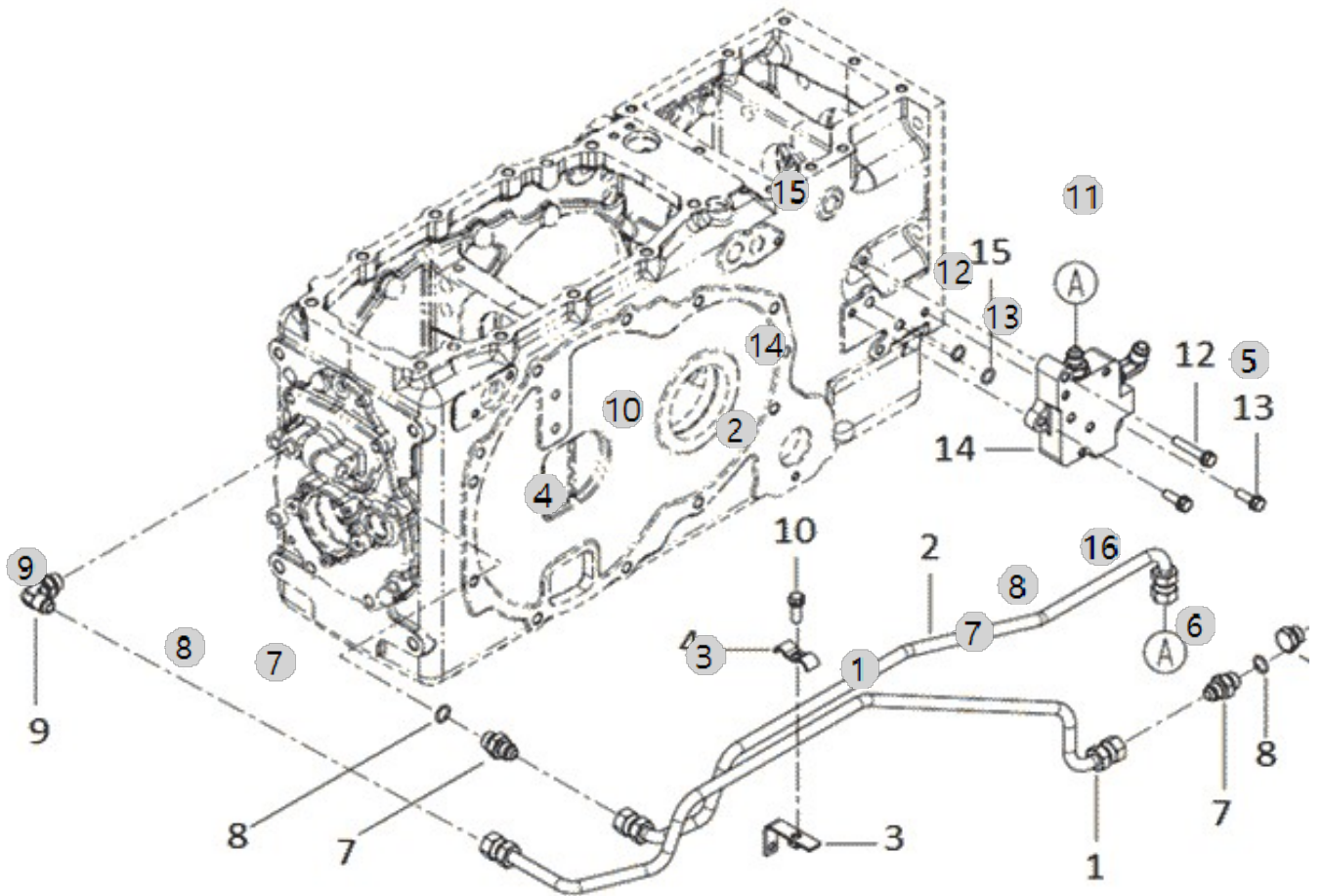
F07050

20H TM(US)\_3기통  
\_RANGE4(AC01758)

PTO VALVE

Year/Month

2022-12-15





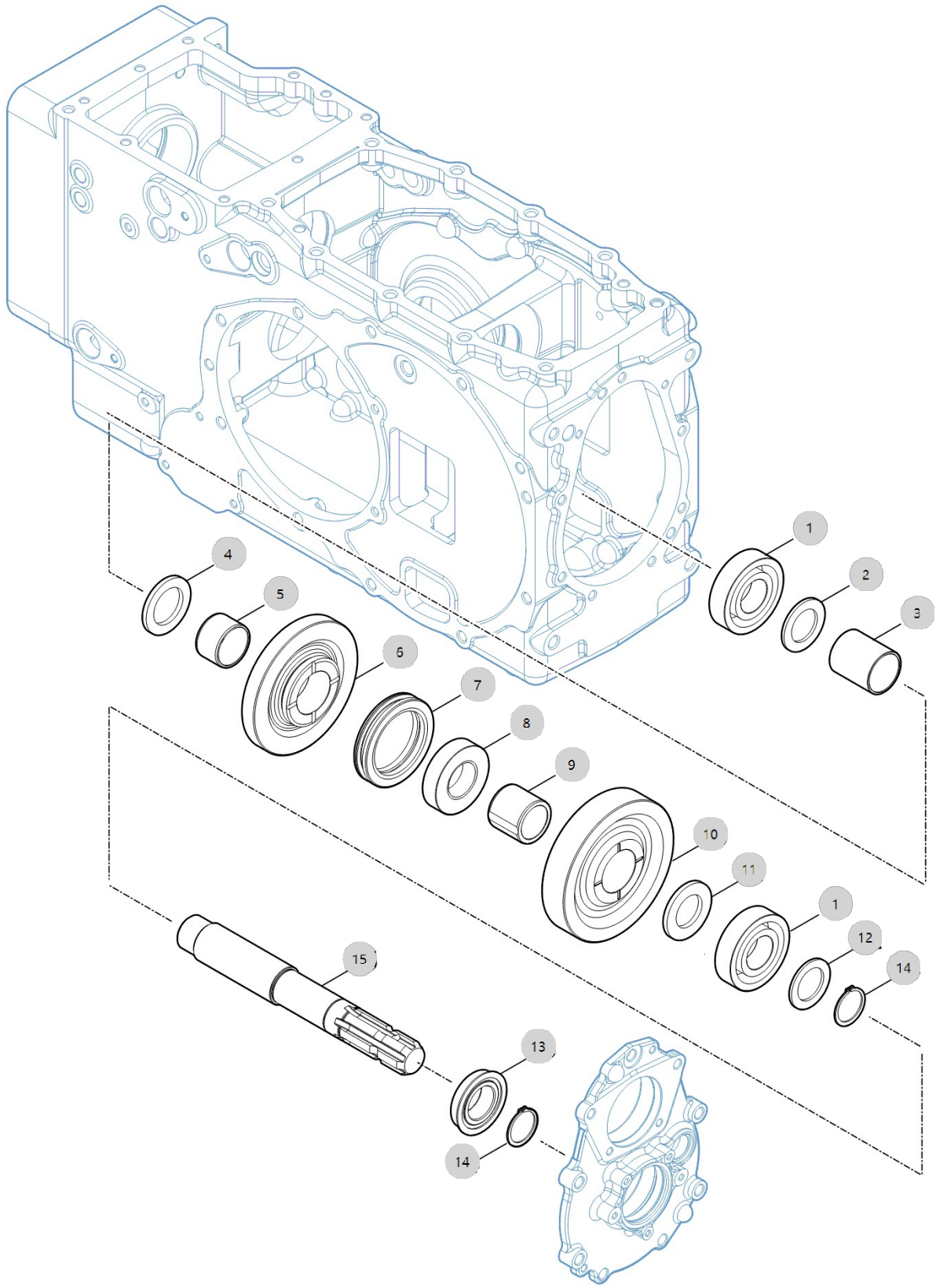
F07070

20H TM(US)\_3기통  
\_RANGE4(AC01758)

### PTO SHAFT

Year/Month

2022-12-15





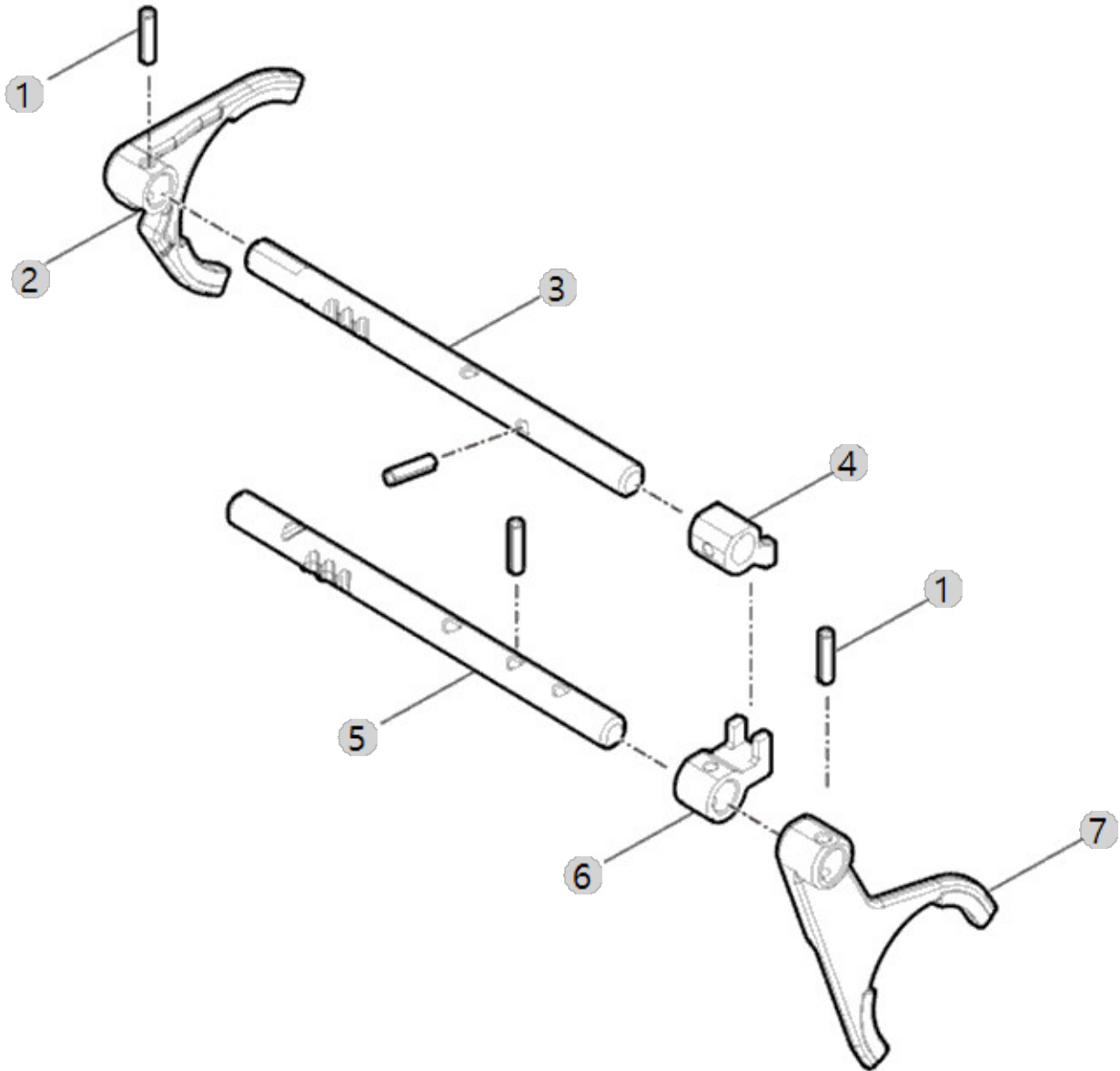
F08022

20H TM(US)\_3기통  
\_RANGE4(AC01758)

RANGE SHIFT FORK

Year/Month

2022-12-15







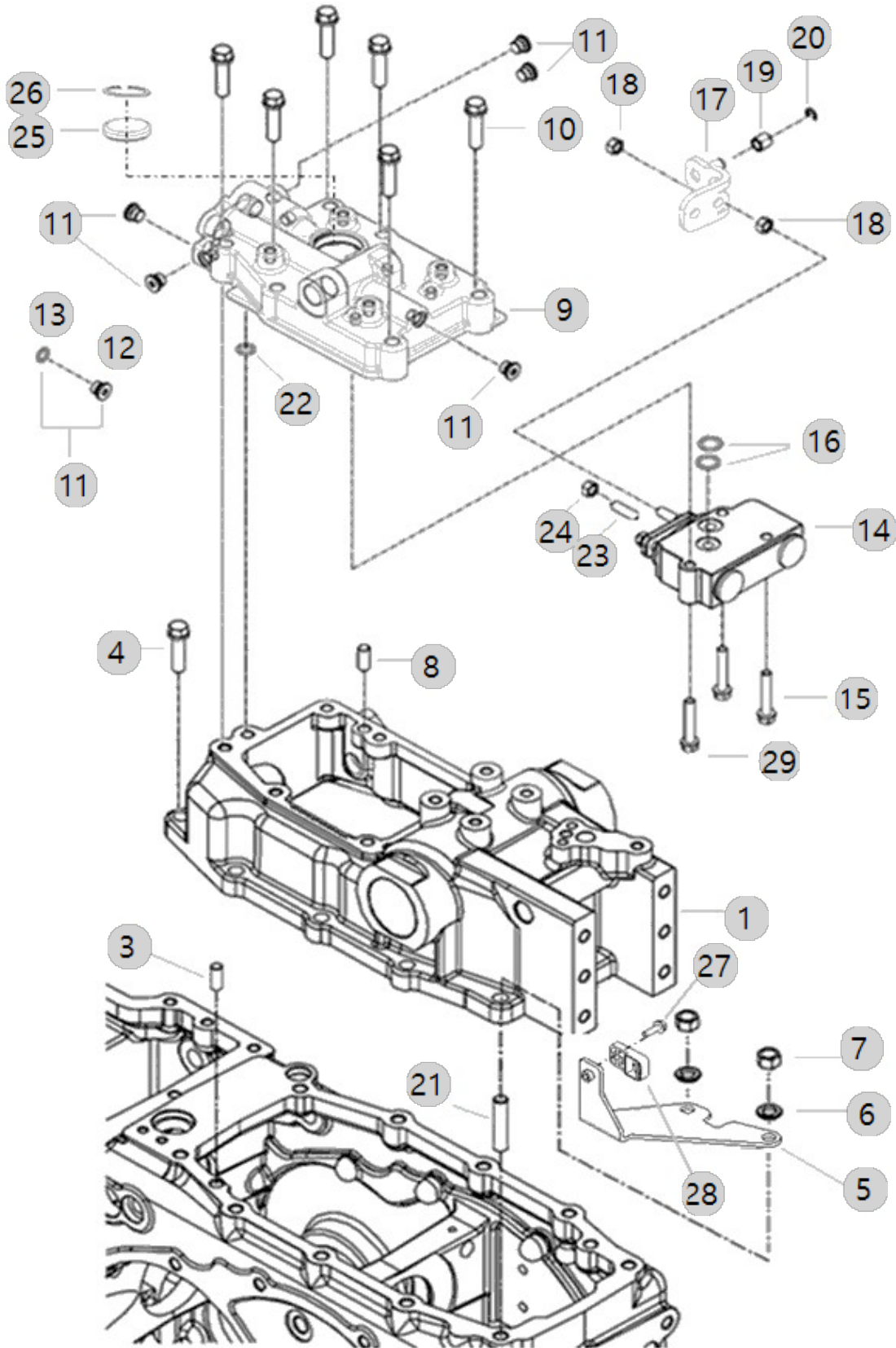
F10010

20H TM(US)\_3기통  
\_RANGE4(AC01758)

CASE, HYD CYLINDER

Year/Month

2022-12-15







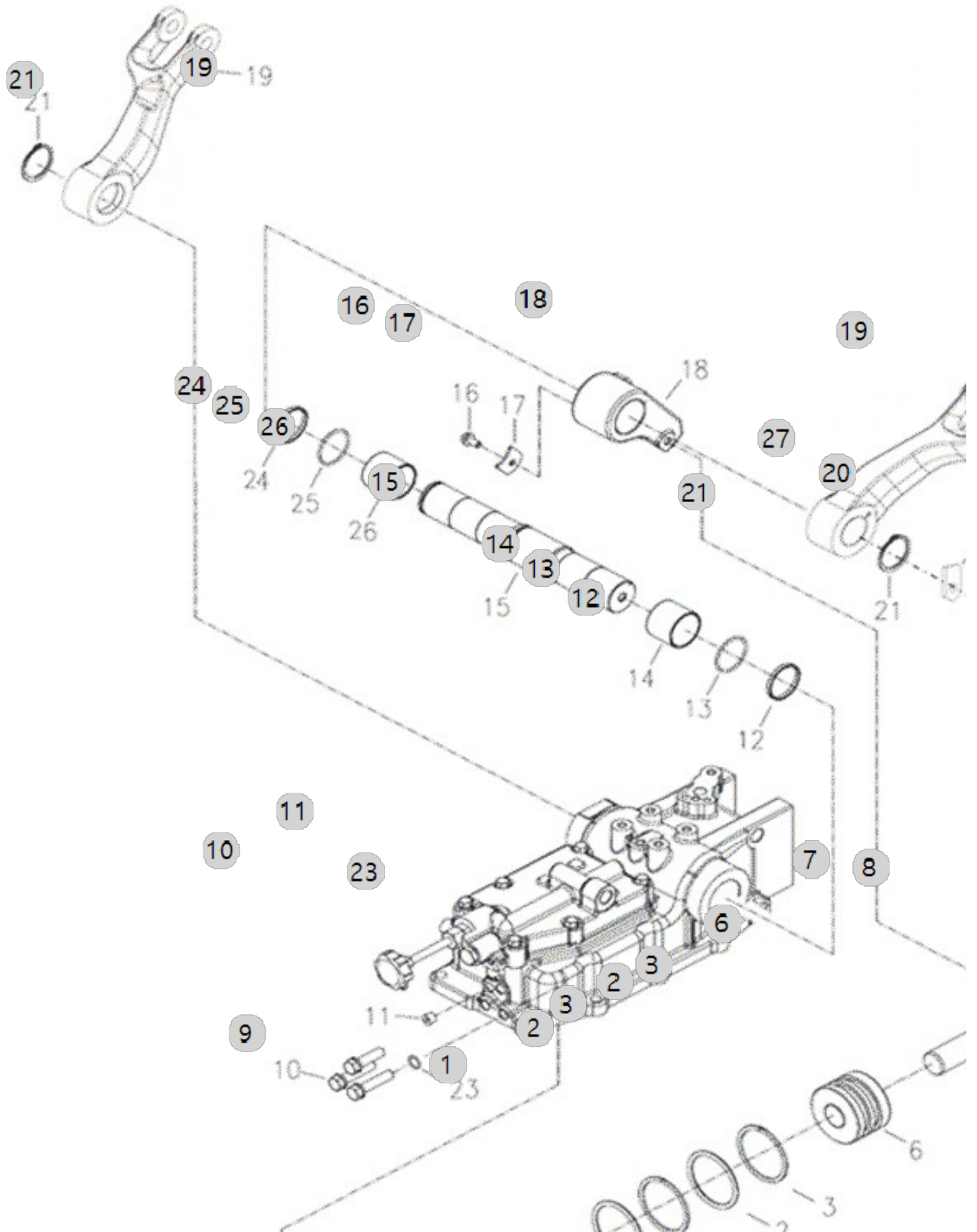
F10020

20H TM(US)\_3기통  
\_RANGE4(AC01758)

LIFT ARM

Year/Month

2022-12-15





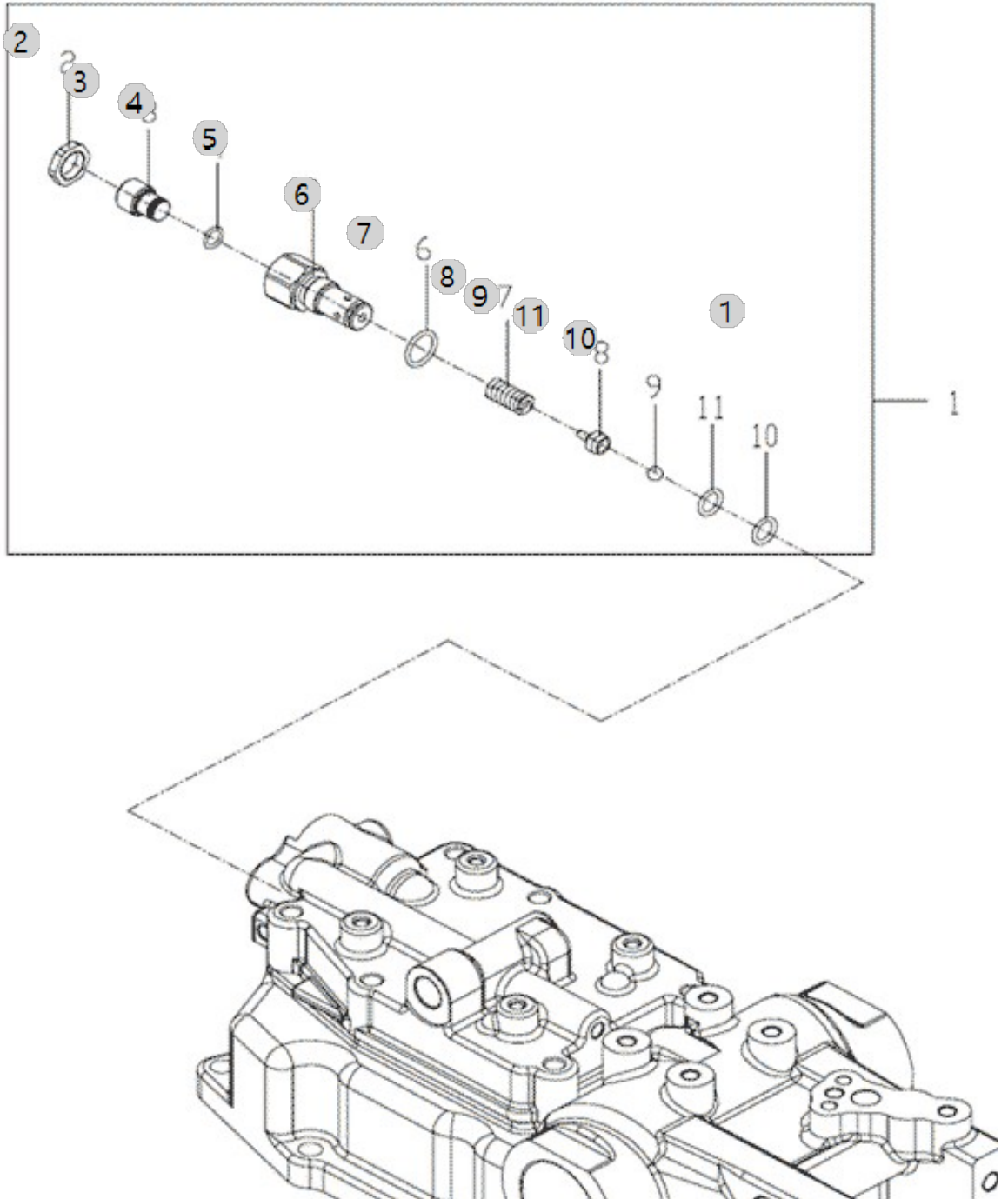
F10030

20H TM(US)\_3기통  
\_RANGE4(AC01758)

### SAFETY VALVE

Year/Month

2022-12-15





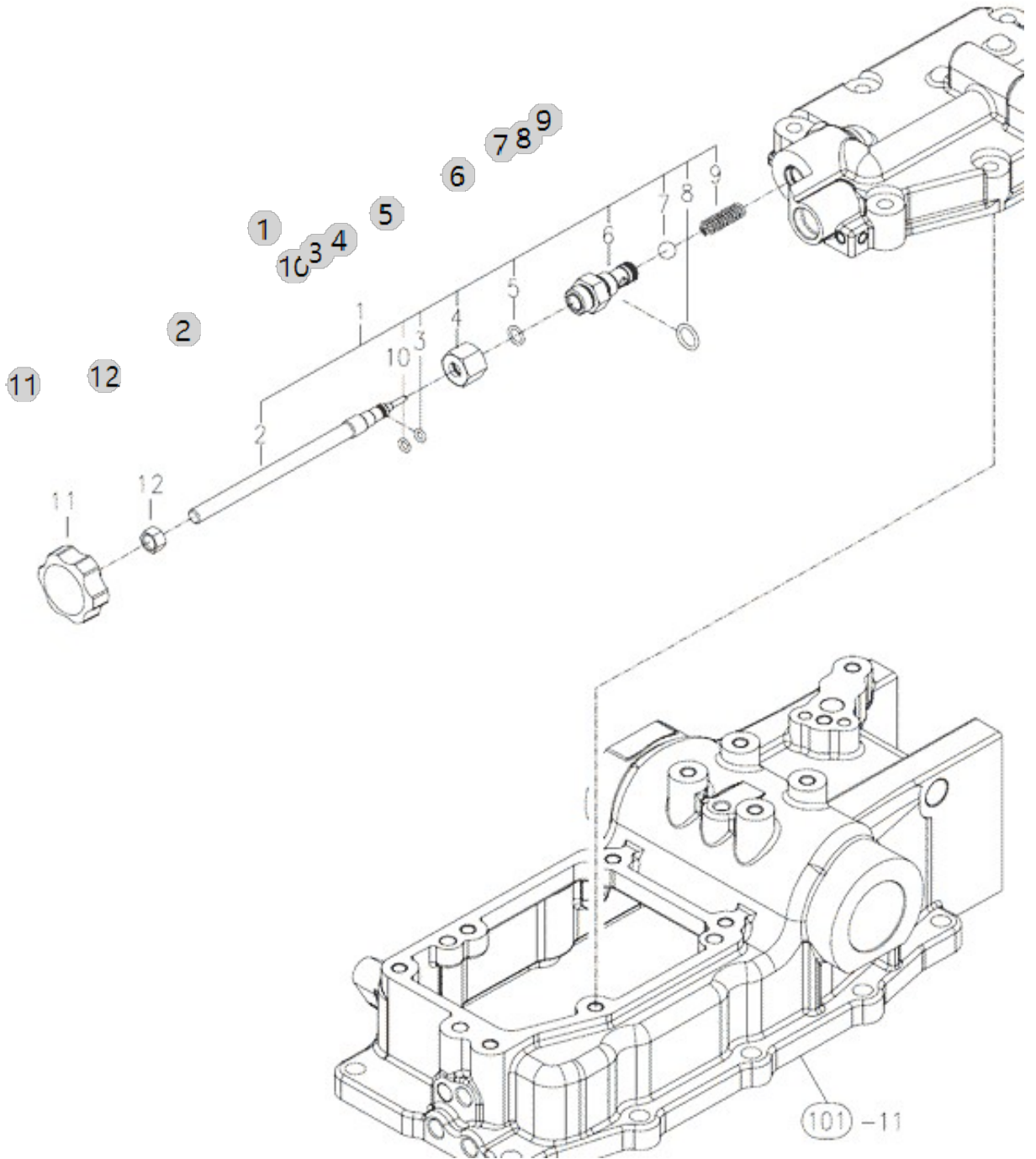
F10040

20H TM(US)\_3기통  
\_RANGE4(AC01758)

### STOP VALVE

Year/Month

2022-12-15







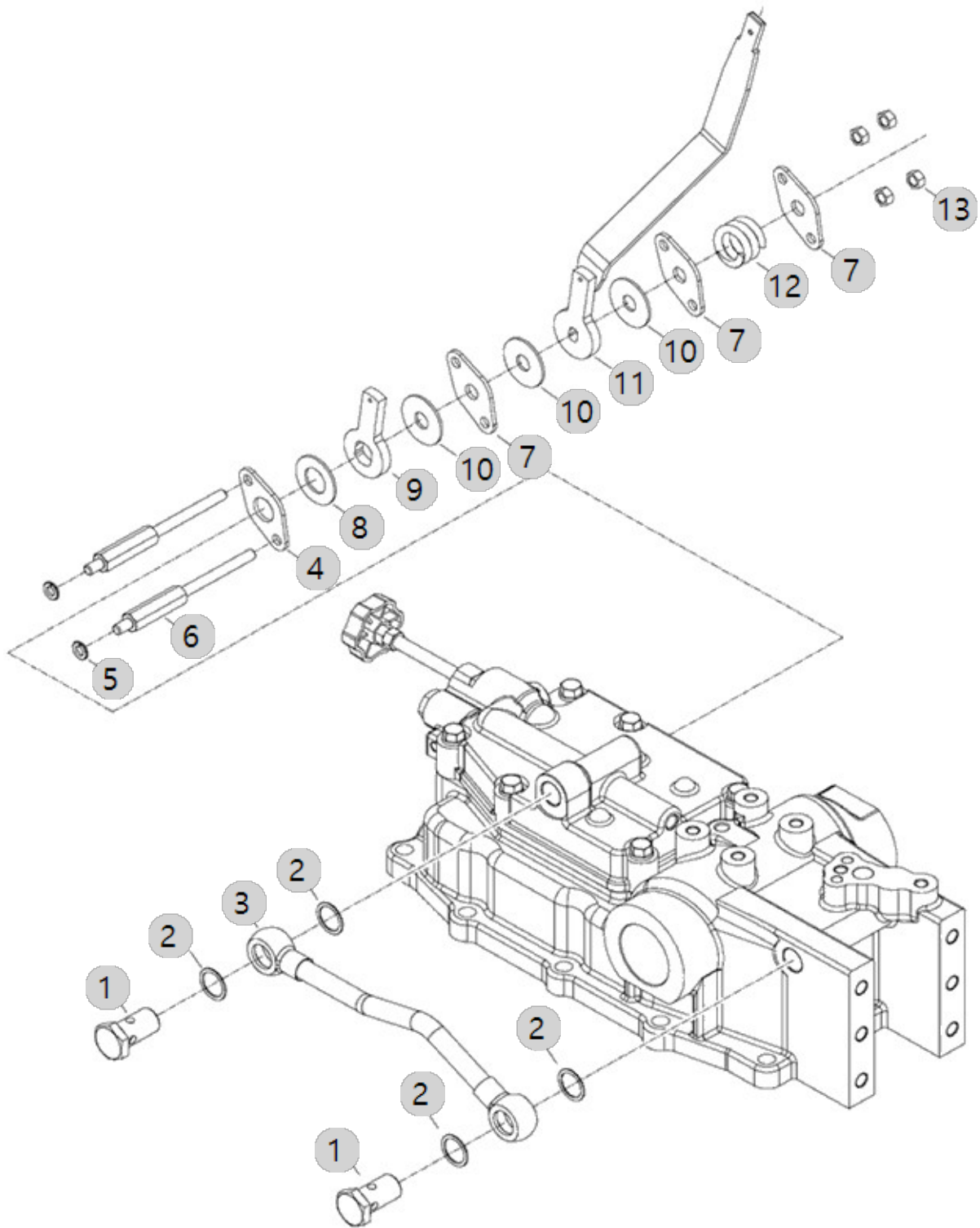
F10064

20H TM(US)\_3기통  
\_RANGE4(AC01758)

POSITION CONTROL LEVER

Year/Month

2022-12-15







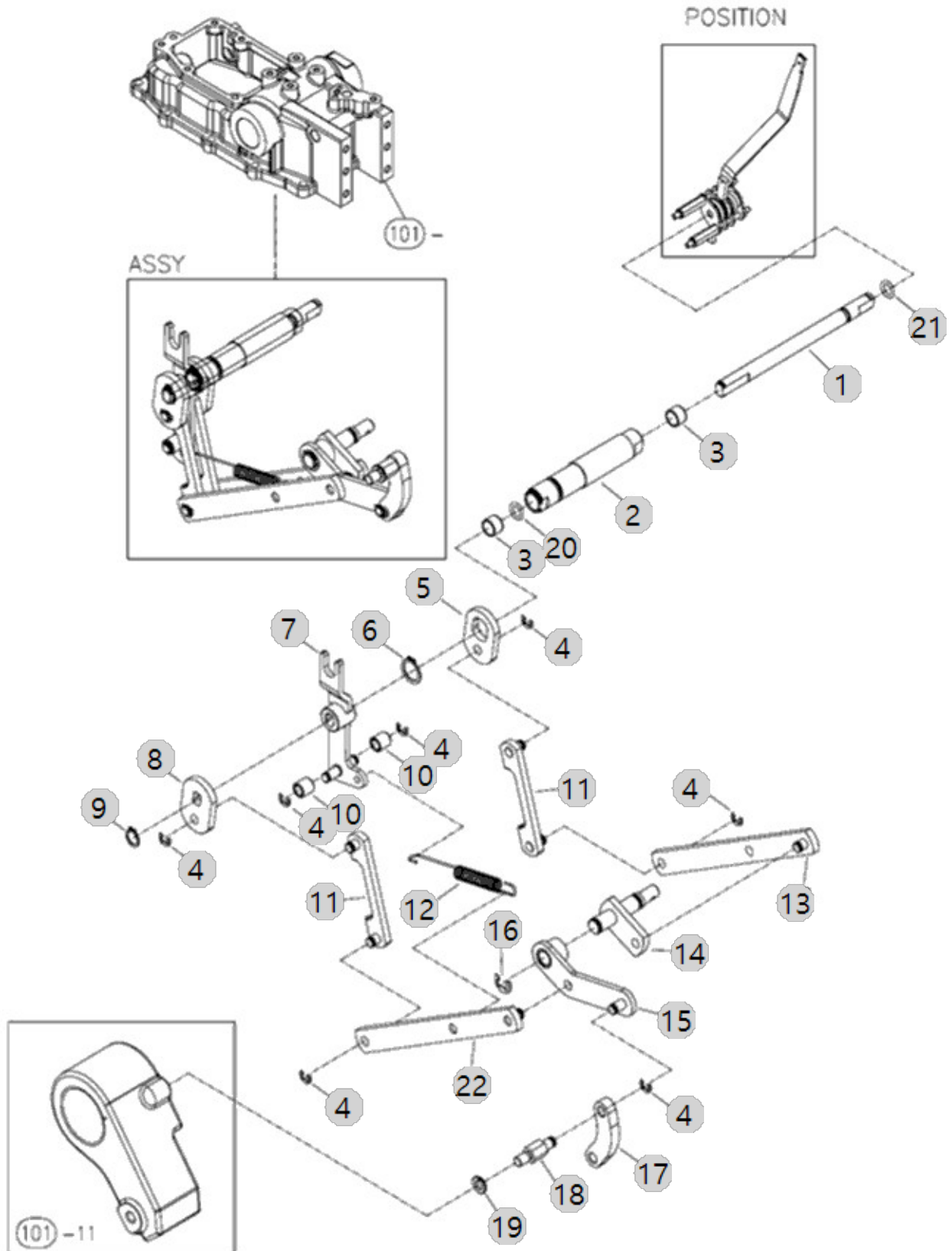
F10070

20H TM(US)\_3기통  
\_RANGE4(AC01758)

SHAFT, CONTROL LEVER

Year/Month

2022-12-15





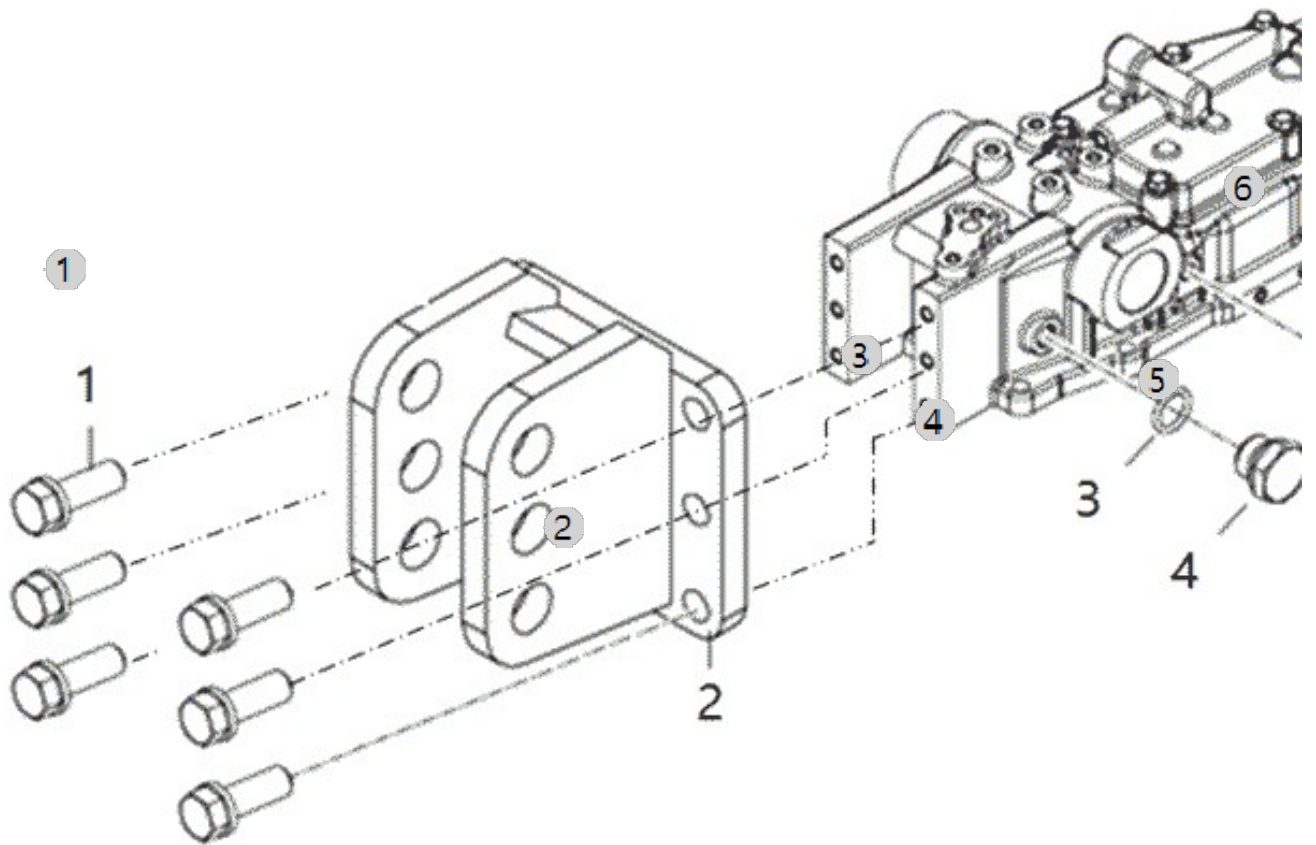
F10100

20H TM(US)\_3기통  
\_RANGE4(AC01758)

TOP LINK

Year/Month

2022-12-15





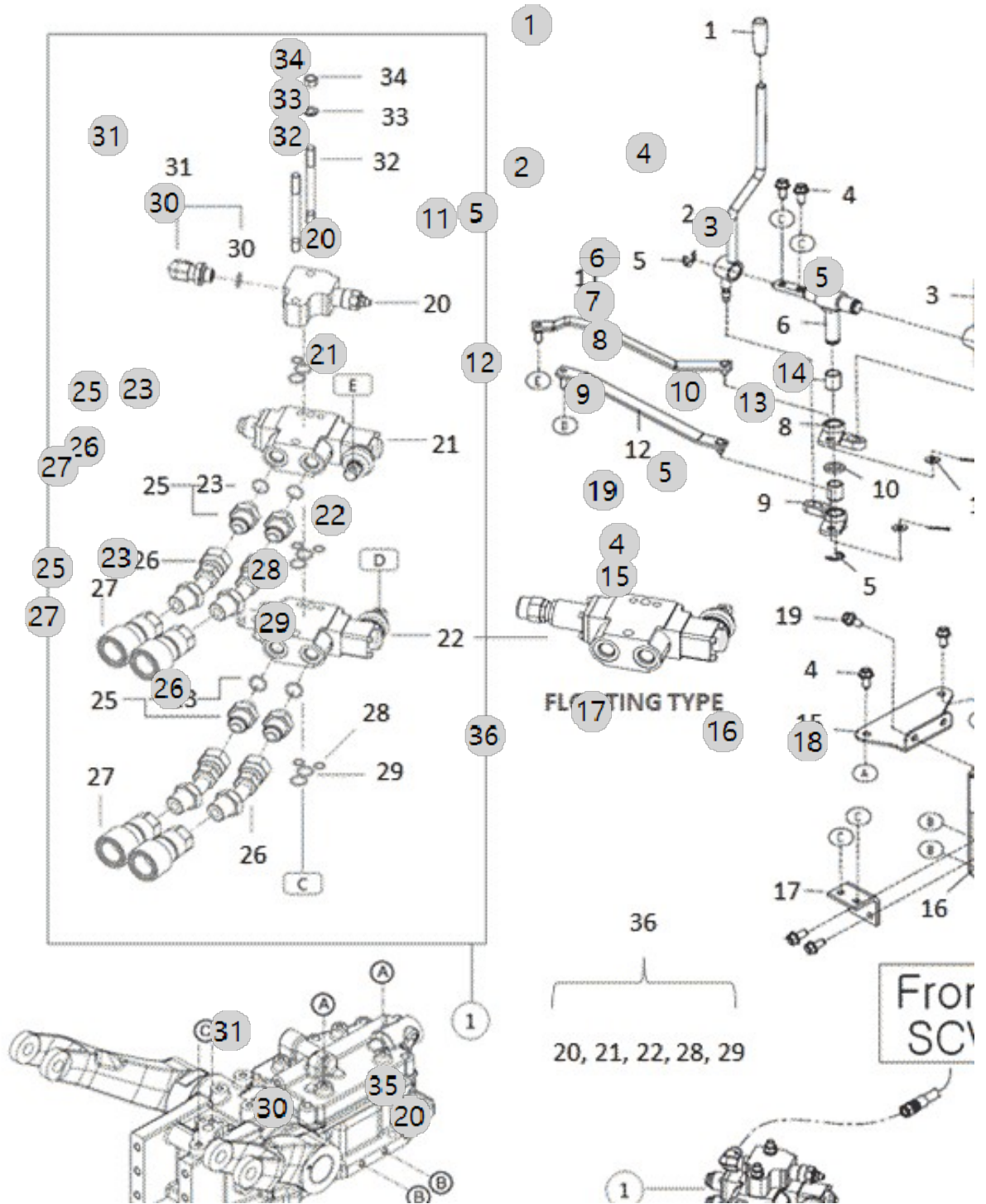
F10120

20H TM(US)\_3기통  
\_RANGE4(AC01758)

REAR SCV

Year/Month

2022-12-15





F10120 20H TM(US)_3기통 _RANGE4(AC01758)		REAR SCV				Year/Month 2022-12-15
순번 (NO)	부품번호 (PART NO)	품명 (PART NAME)	품명 (PART NAME)	수량 (QTY)	규격 (SPEC)	비고 (REMARK)
1	VD05460000A4	손잡이(흑)	LEVER(BLACK)	2		
2	TA00034047C	레버 A 조합	LEVER A ASS'Y	1		
2	TA00034047B	레버 A 조합	LEVER A ASS'Y	1		
3	TA00034049B	레버 B 조합	LEVER B ASS'Y	1		
3	TA00034049C	레버 B 조합	LEVER B ASS'Y	1		
4	26106-080162	플랜지볼트8X16	SCREW,HEXFLANGEHEADCAP	6	M8XP1.25X16	
5	22272-000120	E형스냅링12	RING, CIRCLIP (Φ 12)	3	D12	
6	TA00034042D	축 조합	SHAFT ASS'Y	1		
6	TA00034042C	축 조합	SHAFT ASS'Y	1		
6	TA00034042B	축 조합	SHAFT ASS'Y	1		
7	24550-016200	드라이부시16X20	DRY BUSH 16X20	4		
8	TA00036430B	보스 A 조합 PTO 3단	BOSS B ASS'Y PTO 3SD	1		
9	TA00036429B	보스 B 조합 PTO 3단	BOSS B ASS'Y PTO 3SD	1		
10	TA00034062A	플레이트	PLATE	1		
11	TA00036297C	링크 2 조합	LINK ASSY 2	1		
11	TA00036297B	링크 2 조합	LINK ASSY 2	1		
12	TA00034019B	링크1조합	LINK 1 ASS'Y	1		
13	22137-080000	와셔8	WASHER, PLAIN (Φ 08)	4	M8	
14	22417-200200	할핀	PIN , COTTER (2-20)	4	D1.8	
15	TA00036443C	브래킷	BRACKET	1		
16	TA00036941B	SCV 고정 레버 브래킷 조합	HOLDING BRACKET, SCV LEVER	1		
17	TA00036949B	고정브라켓	BRACKET	1		
18	26106-100162	플랜지볼트M10X16	SCREW,HEXFLANGEHEADCAP	2	M10XP1.5X16	
19	26106-080182	444,ALL,플랜지볼트	SCREW,HEXFLANGEHEADCAP	4		
20	TA00033977B	컨트롤 릴리프	COVER RELIEF	1		
20	TA00033977C	컨트롤 릴리프	COVER RELIEF	1		
21	TA00037393A	SCV2(D)	SCV2(D)	1		
22	TA00028226B	SCV 1	SCV	1		
22	TA00028226A	SCV 1	REAR SCV 1	1		
22	TA00028226C	SCV 1	SCV 1	1		
22	TA00048561B	SCV(FLOATING)	SCV(FLOATING)	1		
22	TA00048561A	SCV(FLOATING)	SCV(FLOATING)	1		
22	TA00048561C	SCV(FLOATING)	SCV(FLOATING)	1		
23	24311-000160	O-링 P 16	O-RING, DYNAMIC (Φ16)	4	P16	
25	TA00042245C	아댑터(PF1/2)	ADAPTER	2		
25	TA00042245B	아댑터(PF1/2)	ADAPTER	2		
26	TA00042242B	SCV연결파이프(K3)	PIPE, SCV	2		
26	TA00042242D	SCV연결파이프(K3)	SCV EXTENSION PIPE(K3)	2		
26	TA00042242C	SCV연결파이프(K3)	PIPE, SCV	2		
27	FBA3150000B3	조인트암(1/2")	"ARM, JOINT(1/2")"	2		
27	FBA3150000A4	조인트(1/2")	ARM, JOINT(1/2") -> FBA3150000A3	2		
28	24311-000100	O-링1AP10.0	O-RING, DYNAMIC (Φ10)	4	P10	
29	24311-000160	O-링 P 16	O-RING, DYNAMIC (Φ16)	4	P16	
30	24311-000140	441,ALL,O-RINGP-14	O-RING, DYNAMIC (Φ14)	1	P14	
31	TA00035078B	90도 엘보 (PF3/8-1/2)	ELBOW	1		





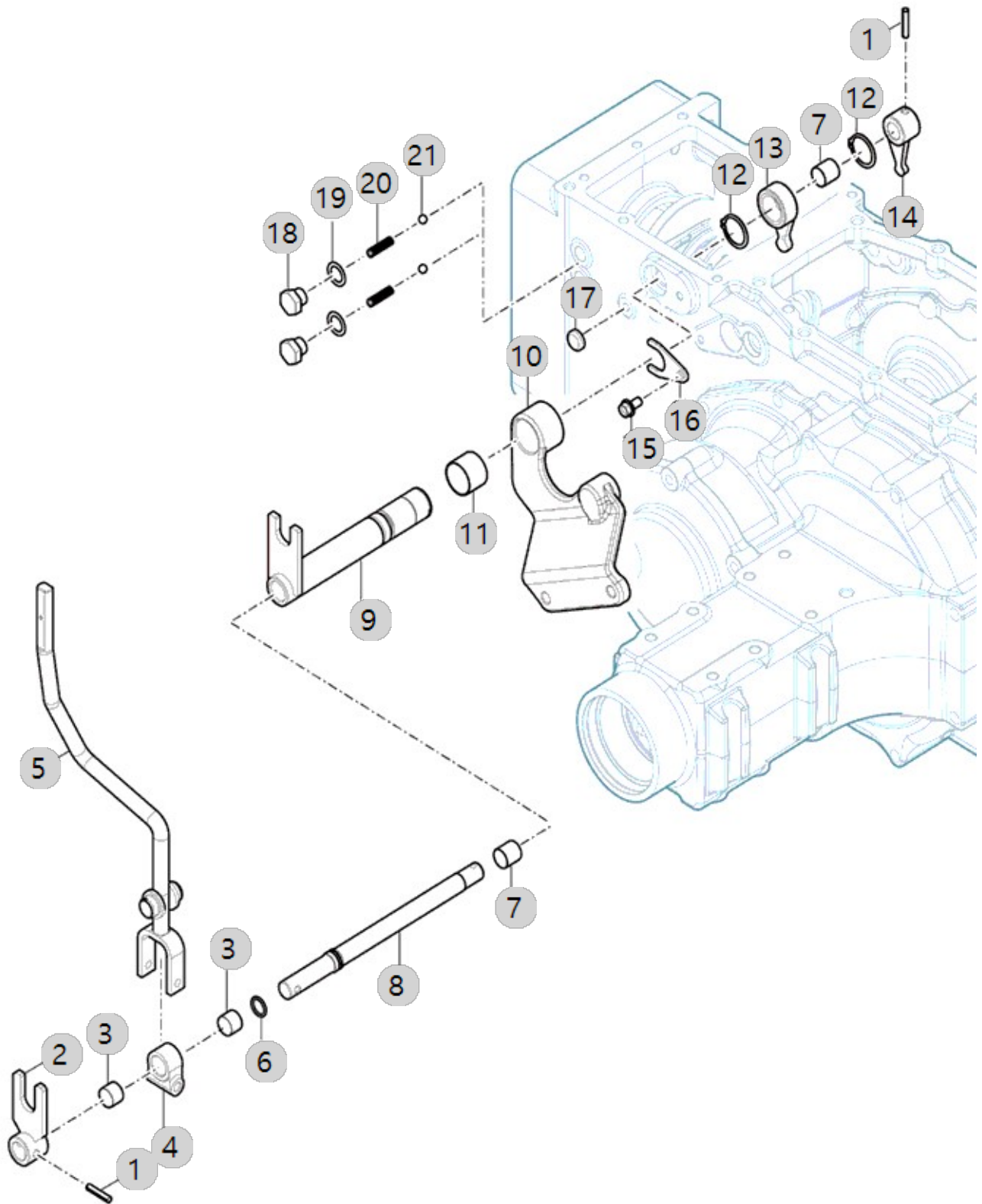
F11020

20H TM(US)\_3기통  
\_RANGE4(AC01758)

RANGE SHIFT LEVER

Year/Month

2022-12-15





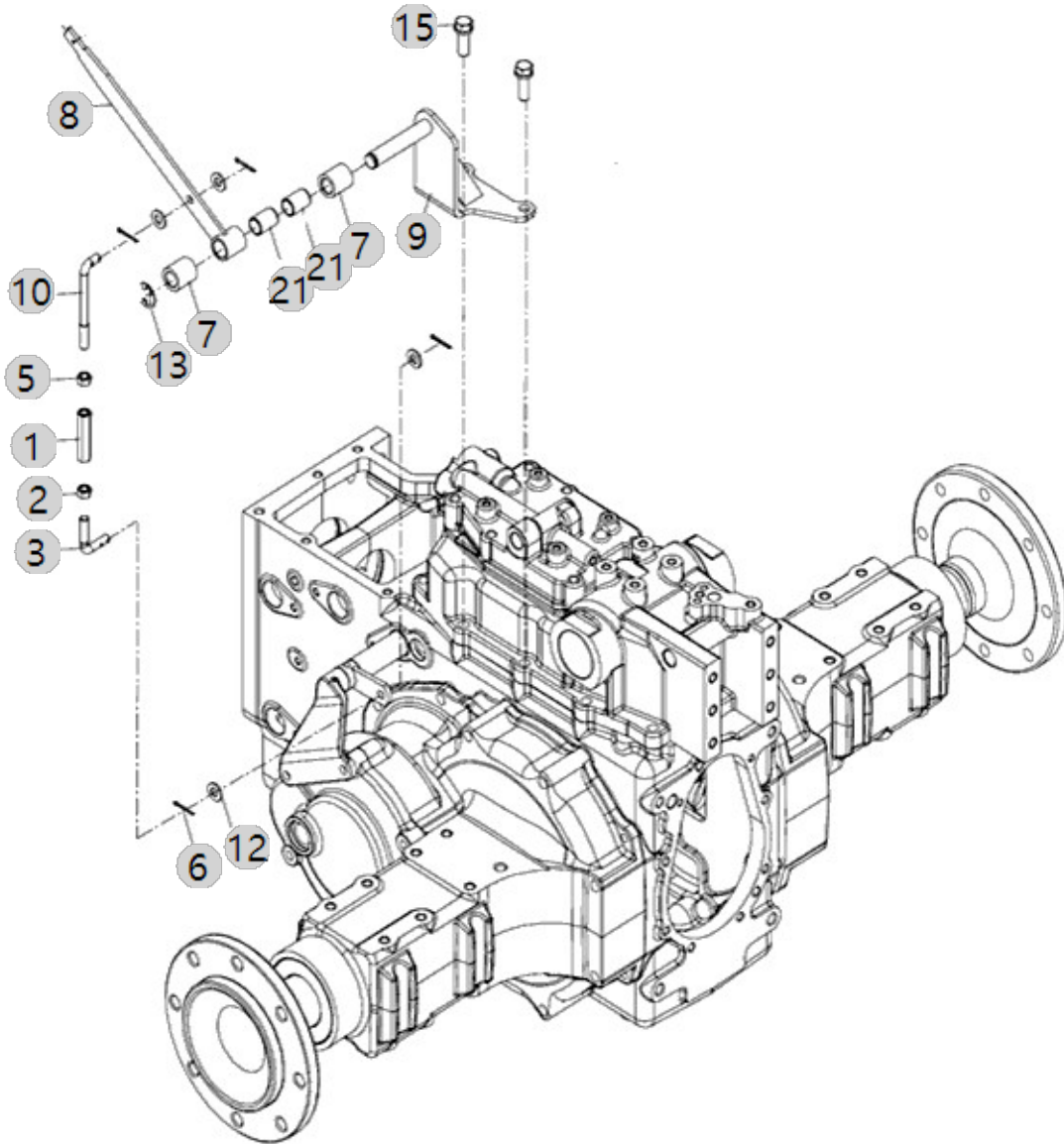
F11030

20H TM(US)\_3기통  
\_RANGE4(AC01758)

LEVER ASS'Y, PTO SPEED CHANGE

Year/Month

2022-12-15





F11080

20H TM(US)\_3기통  
\_RANGE4(AC01758)

4WD LEVER

Year/Month

2022-12-15

