

TC25NH

Parts Catalog

# 목 차

---

## 1. 엔진 PART NO. EG

FIG 101 CYLINDER BLOCK	6
FIG 102 GEAR HOUSING	8
FIG 103 OIL SUMP	10
FIG 104 CYLINDER HEAD & BONNET	12
FIG 105 EXHAUST MANIFOLD	15
FIG 106 CAMSHAFT & DRIVING GEAR	17
FIG 107 CRANKSHAFT & PISTON	19
FIG 108 LUB.OIL SYSTEM	21
FIG 109 COOLING WATER SYSTEM	23
FIG 110 FUEL INJECTION PUMP	25
FIG 111 GOVERNOR	27
FIG 112 FUEL INJECTION VALVE	29
FIG 113 FUEL FILTER	31
FIG 114 STARTING MOTOR	33
FIG 115 GENERATOR	35
FIG 116 GASKET SET	37

## 2. 엔진보기품 PART NO. T2

FIG 201 AIR CLEANER	40
FIG 202 RADIATOR	42
FIG 203 MUFFLER	44
FIG 204 FUEL TANK & FUEL LINE	46
FIG 205 ACCELERATOR	48
FIG 206 FUEL FILTER	50
FIG 207 ENGINE MOUNTING	52

## 3. 클러치/브레이크/스티어링 PART NO. T3

FIG 301 FLYWHEEL COVER	55
FIG 302 BRAKE	57

FIG 303 BRAKE PEDAL & LINKAGE	59
FIG 304 SPEED CONTROL	61
FIG 305 DASH COVER	64
FIG 306 STEERING VALVE	66
FIG 307 STEERING CYLINDER	68
FIG 308 STEERING WHEEL	70
FIG 309 TIRE	72

#### 4. 트랜스미션 PART NO. T4

FIG 401 INPUT SHAFT	75
FIG 402 HST	77
FIG 403 INPUT GEAR	79
FIG 404 RANGE GEAR	81
FIG 405 4WD DRIVE GEAR	83
FIG 406 P.T.O DRIVE SHAFT	85
FIG 407 P.T.O SHAFT	87
FIG 408 MID P.T.O GEAR	89
FIG 409 DIFF LOCK	91
FIG 410 REAR TRANSMISSION CASE	93
FIG 411 REAR AXLE HOUSING	95
FIG 412 RANGE SHIFT LEVER	97
FIG 413 P.T.O CHANGE LEVER	99
FIG 414 4WD CHANGE LEVER	101
FIG 415 TRANSMISSION MOUNTING	103

#### 5. 프론트 액슬 PART NO. T5

FIG 501 FRONT DRIVE SHAFT	106
FIG 502 FRONT DIFFERENTIAL GEAR	108
FIG 503 FRONT AXLE HOUSING	110
FIG 504 FRONT GEAR CASE (1)	112
FIG 505 FRONT GEAR CASE (2)	114

#### 6. 유압/3점 링크 PART NO. T6

FIG 601 CYLINDER CASE	117
FIG 602 LIFT ARM	119

FIG 603 FLOW CONTROL VALVE	121
FIG 604 MAIN CONTROL VALVE	123
FIG 605 HYDRAULIC SUB	125
FIG 606 HITCH & 3-POINT LINKAGE	127
FIG 607 HITCH & COVER	129

## 7. 시트메탈/캐빈 PART NO. T7

FIG 701 BONNET	132
FIG 701-2 BONNET	134
FIG 702 FLOOR	136
FIG 703 SEAT	138
FIG 704 ROPS	140
FIG 705 LEVER COVER & FENDER	142

## 8. 전장 PART NO. T8

FIG 801 BATTERY MOUNTING	145
FIG 802 INSTRUMENT PANEL	147
FIG 803 HARNESS	149
FIG 804 HARNESS	151
FIG 805 HARNESS	153

## 9. 라벨/옵션 PART NO. T9

FIG 901 TOOL & ACCESSORY	156
FIG 902 LABEL	158
FIG 903 LABEL	160
FIG 904 WEIGHT	162
FIG 905 AUXILIARY VALVE KIT	164

## 1. 엔진 PART NO. EG

FIG 101 CYLINDER BLOCK	6
FIG 102 GEAR HOUSING	8
FIG 103 OIL SUMP	10
FIG 104 CYLINDER HEAD & BONNET	12
FIG 105 EXHAUST MANIFOLD	15
FIG 106 CAMSHAFT & DRIVING GEAR	17
FIG 107 CRANKSHAFT & PISTON	19
FIG 108 LUB.OIL SYSTEM	21
FIG 109 COOLING WATER SYSTEM	23
FIG 110 FUEL INJECTION PUMP	25
FIG 111 GOVERNOR	27
FIG 112 FUEL INJECTION VALVE	29
FIG 113 FUEL FILTER	31
FIG 114 STARTING MOTOR	33
FIG 115 GENERATOR	35
FIG 116 GASKET SET	37

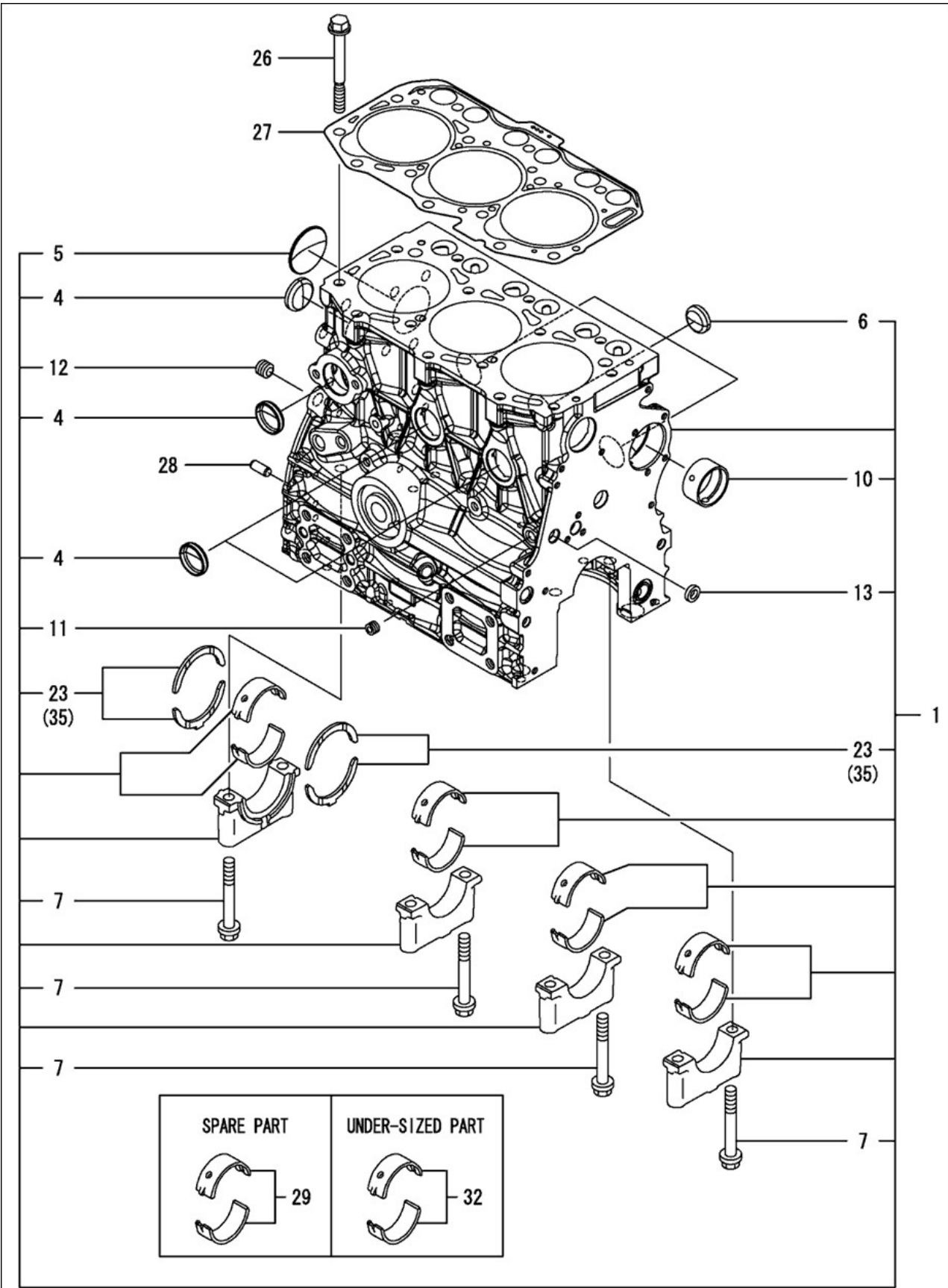
FIG 101

CYLINDER BLOCK

년/월  
Year/Month

2021-05

TC25NH



NOTE



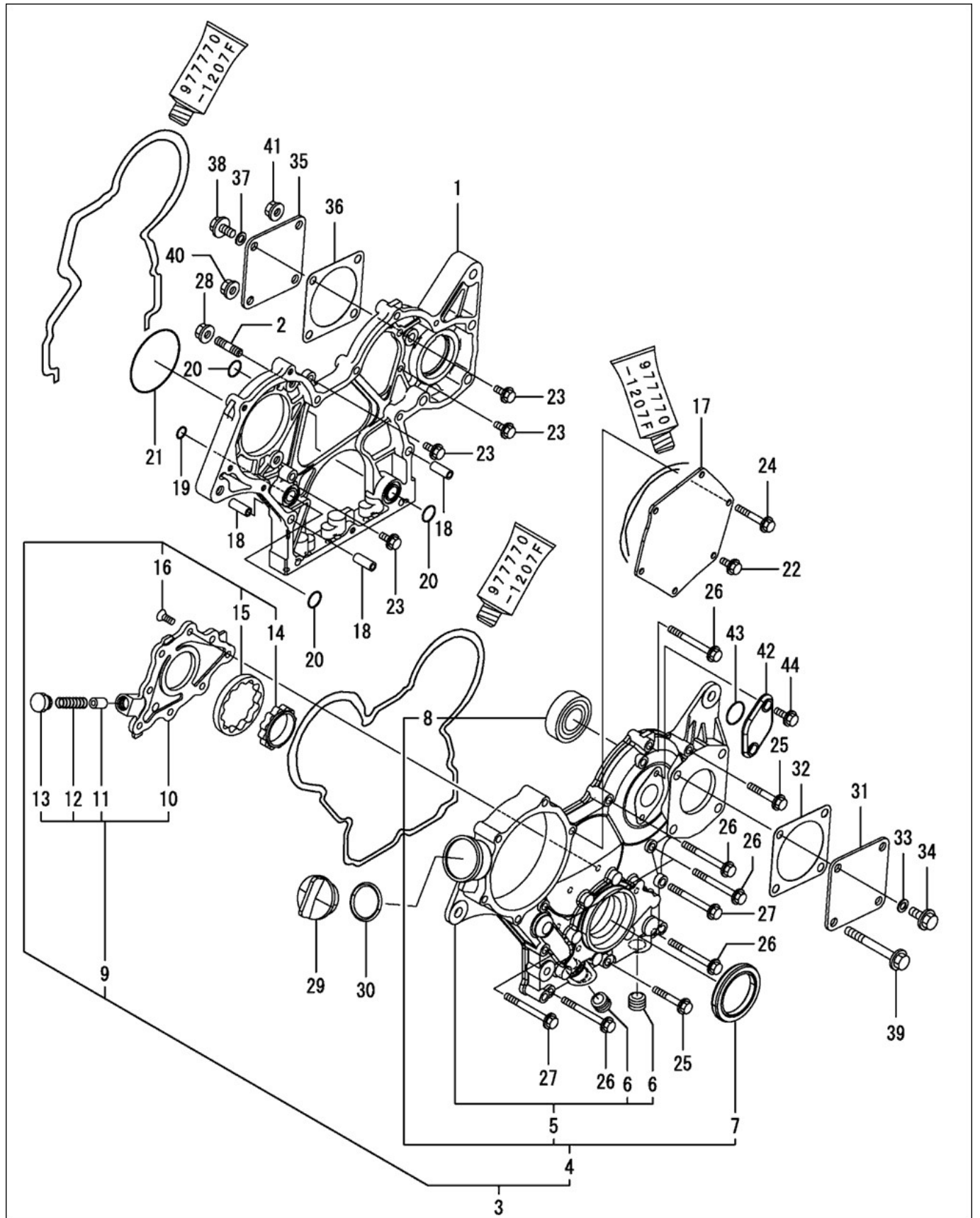
FIG 102

GEAR HOUSING

년/월  
Year/Month

TC25NH

2021-05



NOTE



FIG 102 TC25NH		GEAR HOUSING					년/월 Year/Month	
							2021-05	
KEY NO	PART NO	DESCRIPTION	SPEC	QTY	REPAIR	EFFECTIVE DATE	REMARKS	
102	1	119740-01501	기어 케이스	CASE, GEAR	0	1		
102	2	119717-01570	스터드	STUD	0	3		
102	3	119751-01590	기어 케이스 커버 ASSY	COVER ASSY, GEAR CA	0	1		
102	4	719751-01500	기어 케이스 커버 ASSY	COVER ASSY, GEAR CA	0	1		
102	5	119751-01521	기어 케이스 커버	COVER, GEAR CASE	0	1		
102	6	23876-030000	플러그, R03	PLUG, R03	0	2		
102	7	119717-01800	오일 실	SEAL, OIL	0	1		
102	8	24101-062024	깊은훅 볼베어링	BEARING, BALL 6202	0	1		
102	9	119717-32100	커버 ASSY	COVER ASSY	0	1		
102	10	119717-32080	커버	COVER	0	1		
102	11	129900-32130	릴리프 밸브	VALVE, RELIEF	0	1		
102	12	129001-32320	스프링	SPRING	0	1		
102	13	129001-32330	플러그	PLUG	0	1		
102	14	119717-32110	로터 내부	ROTOR, INNER	0	1		
102	15	119717-32120	로터 외부	ROTOR, OUTER	0	1		
102	16	119802-32130	나사, M6X16	SCREW, M6X16	0	8		
102	17	119717-01750	커버	COVER	0	1		
102	18	119660-01911	노크 파이프	PIPE, KNOCK	0	4		
102	19	119624-32040	O링, P12.0	O-RING, P12.0	0	1		
102	20	119717-32050	O링, P17.0	O-RING, P17.0	0	3		
102	21	121850-51960	O링	O-RING	0	1		
102	22	26106-060122	도금 볼트, M6X12	BOLT, M6X12 PLATED	0	1		
102	23	26106-060162	도금 볼트, M6X16	BOLT, M6X16 PLATED	0	4		
102	24	26106-060402	도금 볼트, M6X40	BOLT, M6X40 PLATED	0	4		
102	25	26106-060402	도금 볼트, M6X40	BOLT, M6X40 PLATED	0	2		
102	26	26106-060602	도금 볼트, M6X60	BOLT, M6X60 PLATED	0	7		
102	27	26106-060652	도금 볼트, M6X65	BOLT, M6X65 PLATED	0	2		
102	28	26306-080002	너트, M8	NUT, M8	0	3		
102	29	124160-01751	필러 커버	COVER, FILLER	0	1		
102	30	24311-000320	운동용O링	O-RING, 1AP32.0	0	1		
102	31	124240-01871	커버	COVER	0	1		
102	32	129C26-01890	HO-P 가스켓	GASKET, HO-P	0	1		
102	33	22190-080002	실 와셔, 8	WASHER, SEAL 8	0	1		
102	34	26106-080122	도금볼트, M8X12	BOLT, M8X12 PLATED	0	1		
102	35	124240-01871	커버	COVER	0	1		
102	36	129C26-01890	HO-P 가스켓	GASKET, HO-P	0	1		
102	37	22190-080002	실 와셔, 8	WASHER, SEAL 8	0	1		
102	38	26106-080142	도금 볼트, M8X14	BOLT, M8X14 PLATED	0	1		
102	39	26106-080702	도금 볼트, M8X70	BOLT, M8X70 PLATED	0	3		
102	40	26306-080002	너트, M8	NUT, M8	0	1		
102	41	26306-080002	너트, M8	NUT, M8	0	2		
102	42	121023-01551	커버	COVER	0	1		
102	43	24341-000240	O링, 1AS24.0	O-RING, 1AS24.0	0	1		
102	44	26106-060162	도금 볼트, M6X16	BOLT, M6X16 PLATED	0	2		
NOTE								

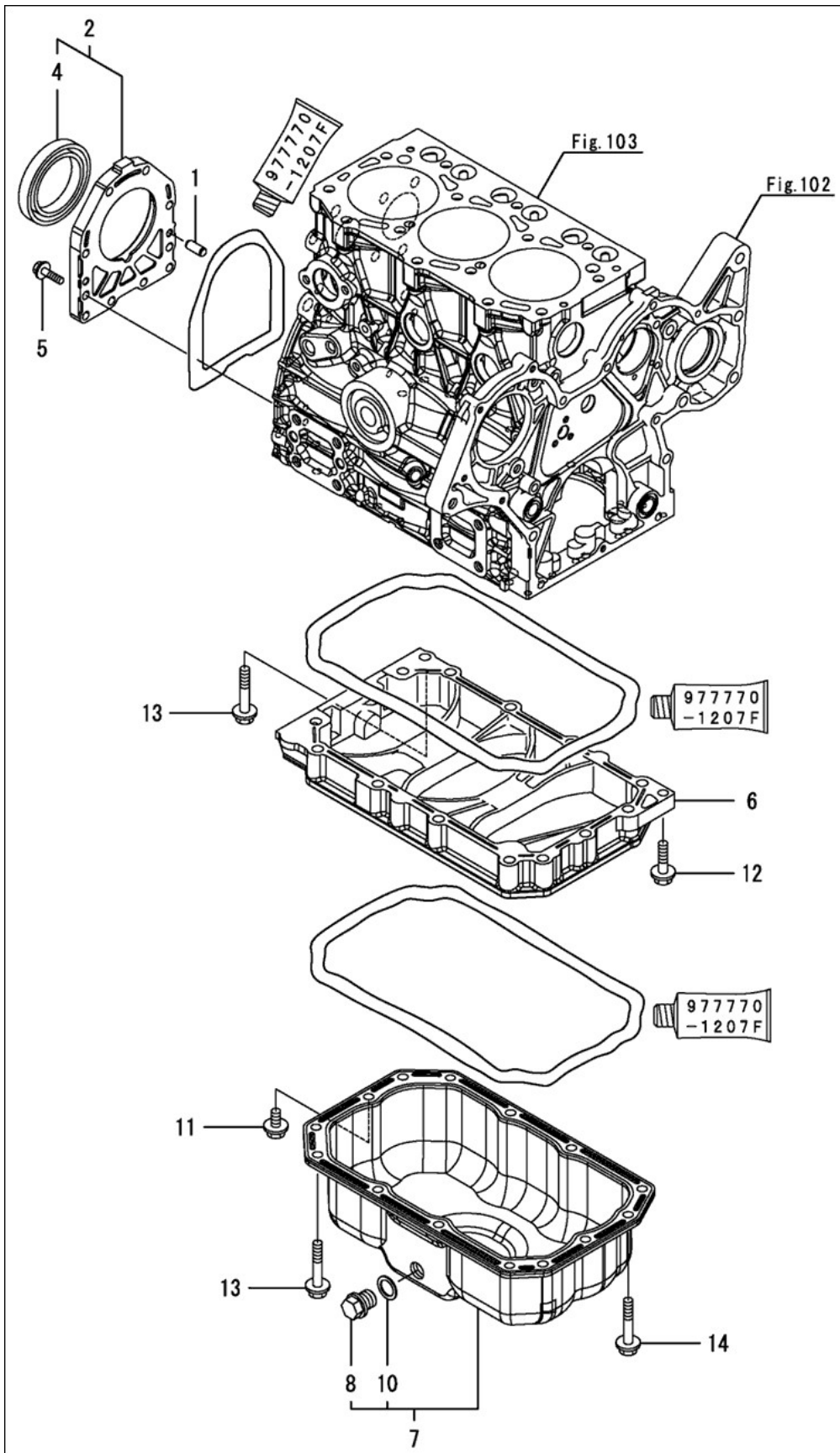
FIG 103

OIL SUMP

년/월  
Year/Month

2021-05

TC25NH



NOTE



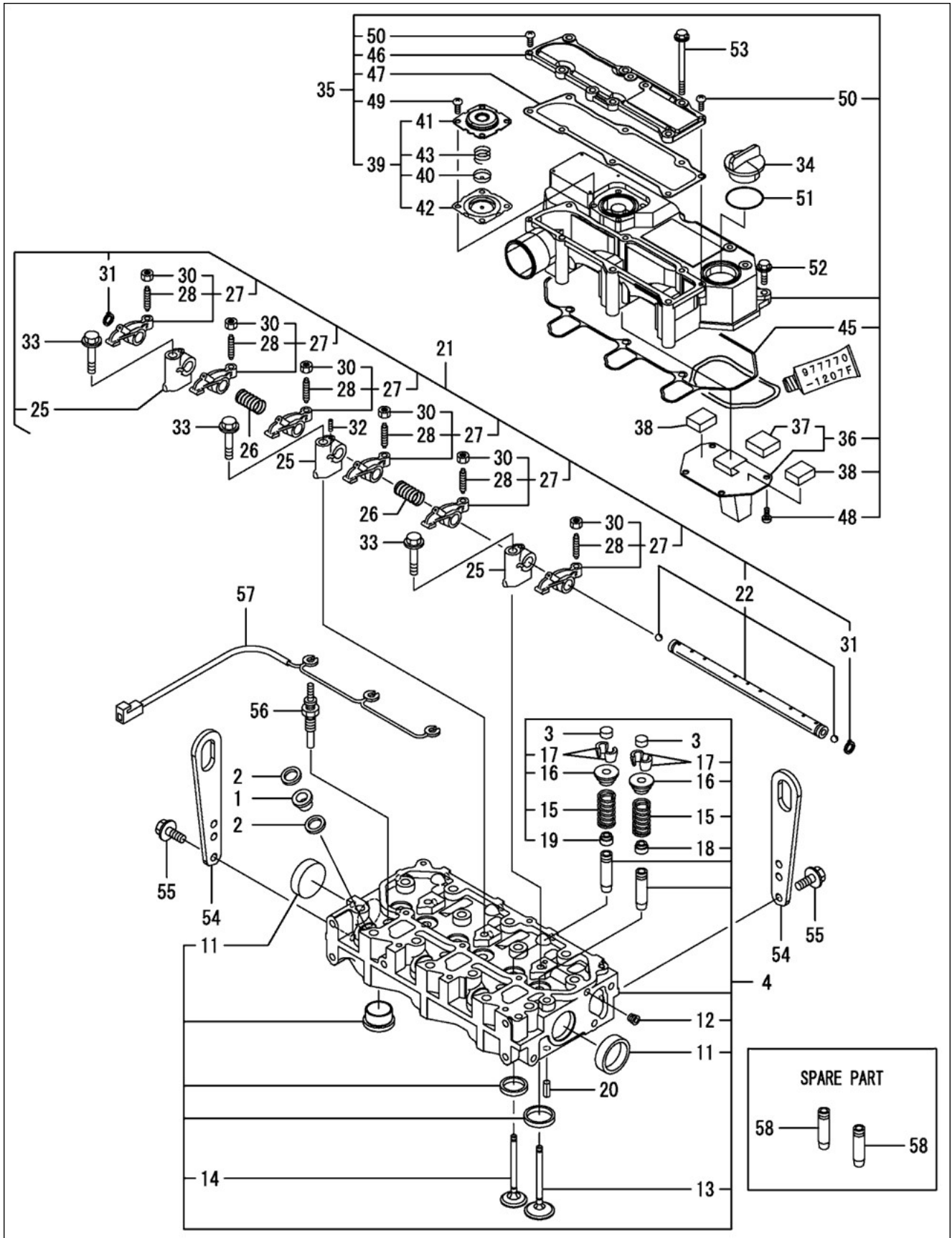
FIG 104

CYLINDER HEAD & BONNET

년/월  
Year/Month

2021-05

TC25NH



NOTE

FIG 104		CYLINDER HEAD & BONNET					년/월	
							Year/Month	
TC25NH		2021-05						
KEY NO	PART NO	DESCRIPTION	SPEC	QTY	REPAIR	EFFECTIVE DATE	REMARKS	
104	1	129901-11450	노즐 프로텍터	PROTECTOR, NOZZLE	0	3		
104	2	119600-11460	노즐 가스켓	GASKET, NOZZLE	0	6		
104	3	105010-11490	밸브 캡	CAP, VALVE	0	6		
104	4	119E10-11750	실린더 헤드 ASSY	HEAD ASSY, CYLINDER	0	1		
104	11	119285-11990	플러그, 36	PLUG, 35	0	2		
104	12	23876-005000	플러그, R005	PLUG, R005	0	1		
104	13	119E10-11100	석션 밸브	VALVE, SUCTION	0	3		
104	14	119E10-11110	배기 밸브	VALVE, EXHAUST	0	3		
104	15	119717-11131	밸브 스프링	SPRING, VALVE	0	6		
104	16	129508-11180	스프링 리테이너	RETAINER, SPRING	0	6		
104	17	119717-11190	코터	COTTER	0	12		
104	18	119717-11340	밸브 스템 실	SEAL, VALVE STEM	0	3		
104	19	119717-11350	밸브 스템 실	SEAL, VALVE STEM	0	3		
104	20	22351-060012	스프링핀	PIN, SPRING 6.0X12	0	2		
104	21	119717-11200	암 서포트 ASSY	SUPPORT ASSY, ARM	0	1		
104	22	119717-11240	로커 샤프트 ASSY	SHAFT ASSY, ROCKER	0	1		
104	25	119717-11260	로커 암 서포트	SUPPORT, ROCKER ARM	0	3		
104	26	119620-11280	스프링	SPRING	0	2		
104	27	119717-11650	로커 암	ARM, ROCKER	0	6		
104	28	129150-11230	밸브 어저스트 나사	SCREW, VALVE ADJUST	0	6		
104	30	129150-11750	너트, M8	NUT, M8	0	6		
104	31	22242-000120	링, 12	RING, 12	0	2		
104	32	26979-050162	나사, M5X16	SCREW, M5X16	0	1		
104	33	26106-080402	도금 볼트, M8X40	BOLT, M8X 40 PLATED	0	3		
104	34	124160-01751	필러 커버	COVER, FILLER	0	1		
104	35	119717-11381	헤드 본넷 ASSY	BONNET ASSY, HEAD	0	1		
104	36	119717-03031	플레이트	PLATE	0	1		
104	37	119717-03070	브리더 배플	BAFFLE, BREATHER	0	1		
104	38	119717-03070	브리더 배플	BAFFLE, BREATHER	0	2		
104	39	119802-03100	다이어프램 ASSY	DIAPHRAGM ASSY	0	1		
104	40	119802-03110	플레이트	PLATE	0	1		
104	41	119802-03121	다이어프램 커버	COVER, DIAPHRAGM	0	1		
104	42	119802-03131	다이어프램	DIAPHRAGM	0	1		
104	43	119802-03141	다이어프램 스프링	SPRING, DIAPHRAGM	0	1		
104	45	119718-11310	본넷 가스켓	GASKET, BONNET	0	1		
104	46	119717-11320	본넷 커버	COVER, BONNET	0	1		
104	47	119717-11331	가스켓	GASKET	0	1		
104	48	22857-500100	나사, 5X10	SCREW, 5X10	0	4		
104	49	22857-500100	나사, 5X10	SCREW, 5X10	0	4		
104	50	22857-500160	나사, 5X16	SCREW, 5X16	0	2		
104	51	24311-000320	운동용 O링	O-RING, 1AP32.0	0	1		
104	52	26106-060202	도금 볼트, M6X20	BOLT, M6X20 PLATED	0	3		
104	53	26106-060752	도금 볼트, M6X75	BOLT, M6X75 PLATED	0	6		
104	54	129900-07900	리프터	LIFTER	0	2		
104	55	26106-080162	육각플랜지볼트	BOLT, M8X16 PLATED	0	4		
NOTE								



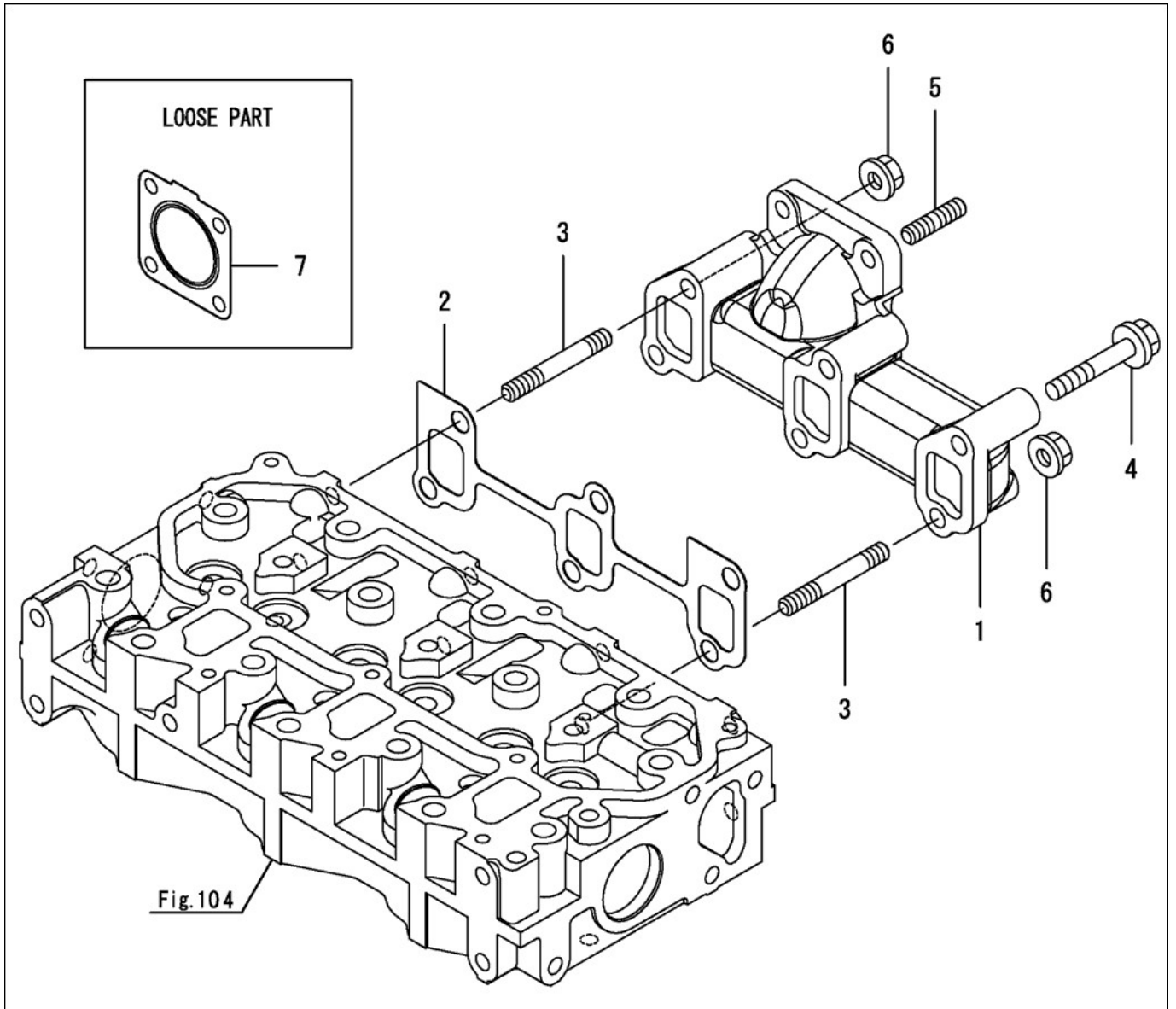
FIG 105

EXHAUST MANIFOLD

년/월  
Year/Month

TC25NH

2021-05



NOTE

FIG 105 TC25NH		EXHAUST MANIFOLD					년/월 Year/Month 2021-05	
KEY NO		PART NO	DESCRIPTION	SPEC	QTY	REPAIR	EFFECTIVE DATE	REMARKS
105	1	119718-13100	배기 매니폴드	MANIFOLD, EXHAUST	0	1		
105	2	119717-13110	가스켓	GASKET	0	1		
105	3	119717-13600	스터드, M8X50	STUD, M8X50	0	2		
105	4	119802-13620	볼트, M8X50	BOLT, M8X50	0	4		
105	5	119131-18320	스터드, M8X22	STUD, M8X22	0	4		
105	6	26306-080002	너트, M8	NUT, M8	0	2		
105	7	119515-13200	가스켓	GASKET, SILENCER	0	1		
NOTE								



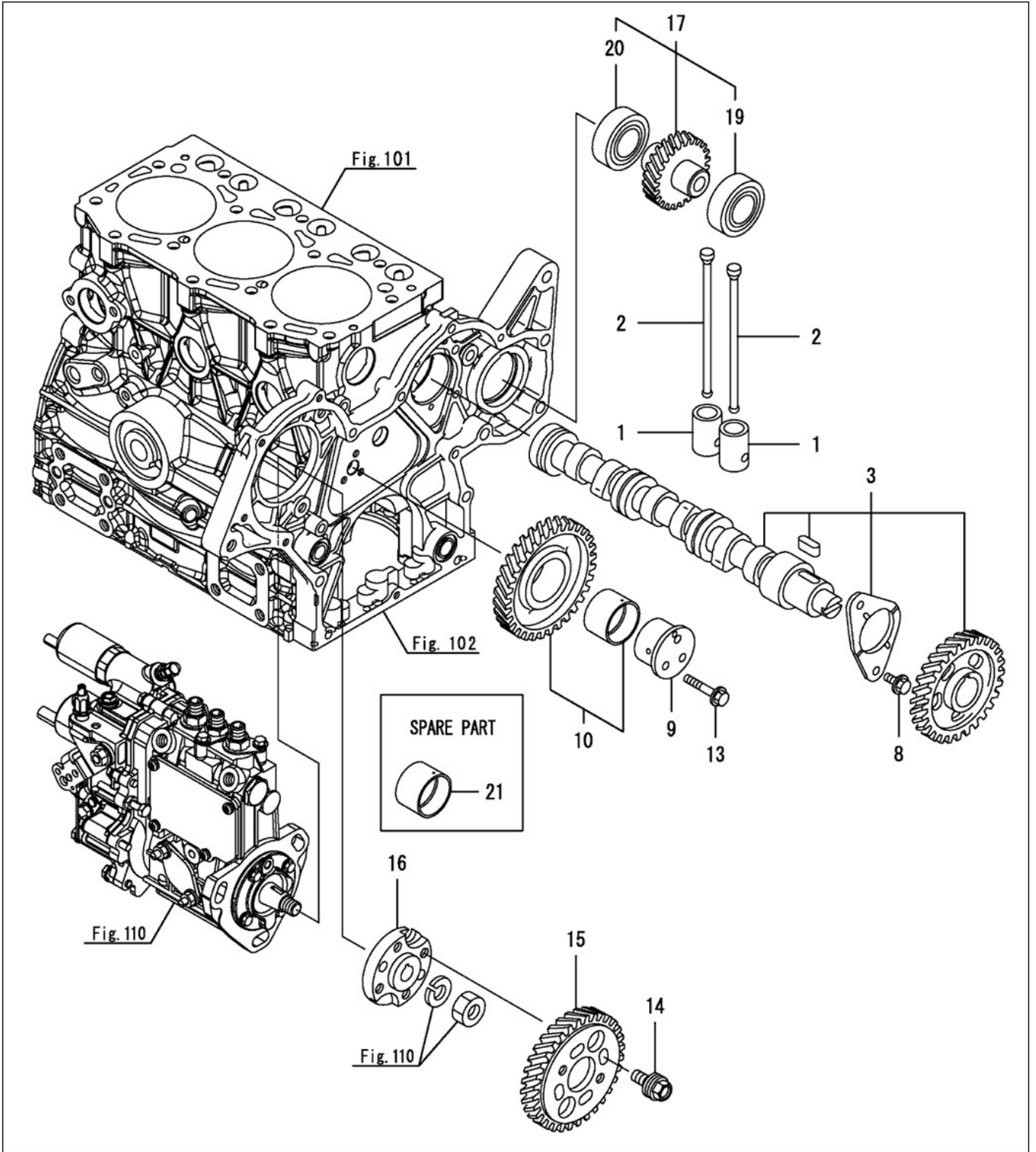
FIG 106

CAMSHAFT & DRIVING GEAR

년/월  
Year/Month

2021-05

TC25NH



NOTE

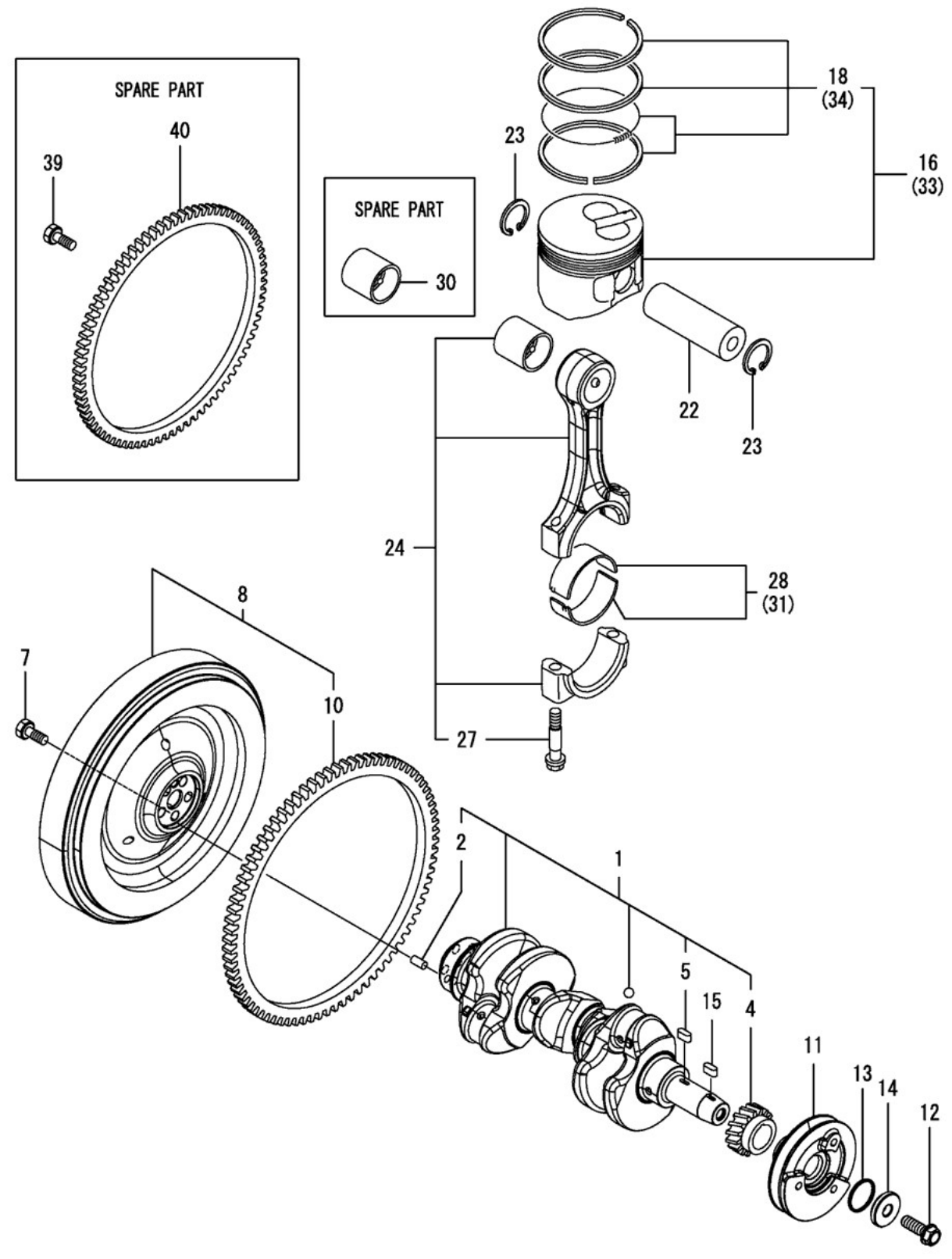


FIG 107

CRANKSHAFT & PISTON

년/월  
Year/Month

2021-05



NOTE



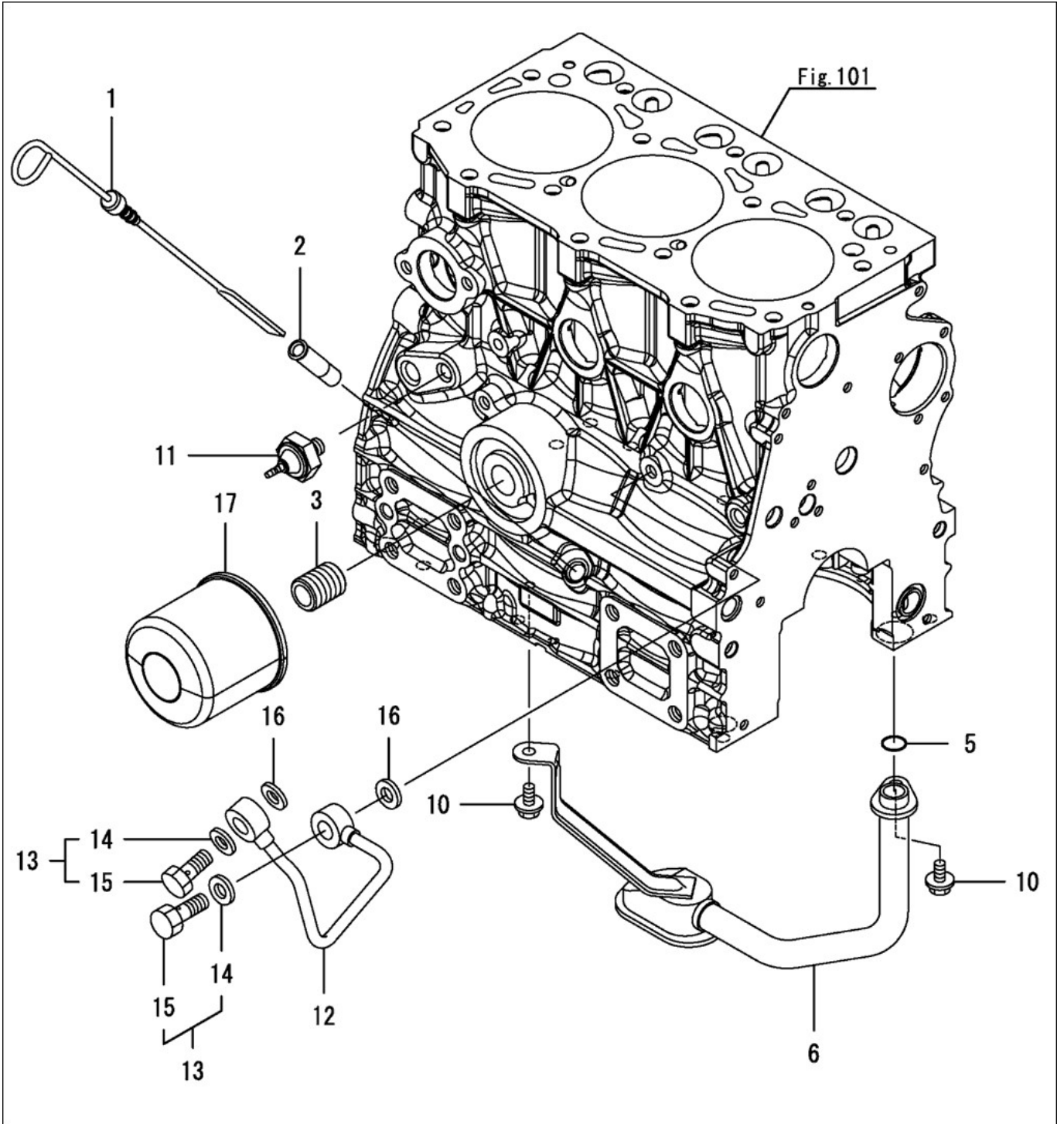
FIG 108

LUB.OIL SYSTEM

년/월  
Year/Month

TC25NH

2021-05



NOTE



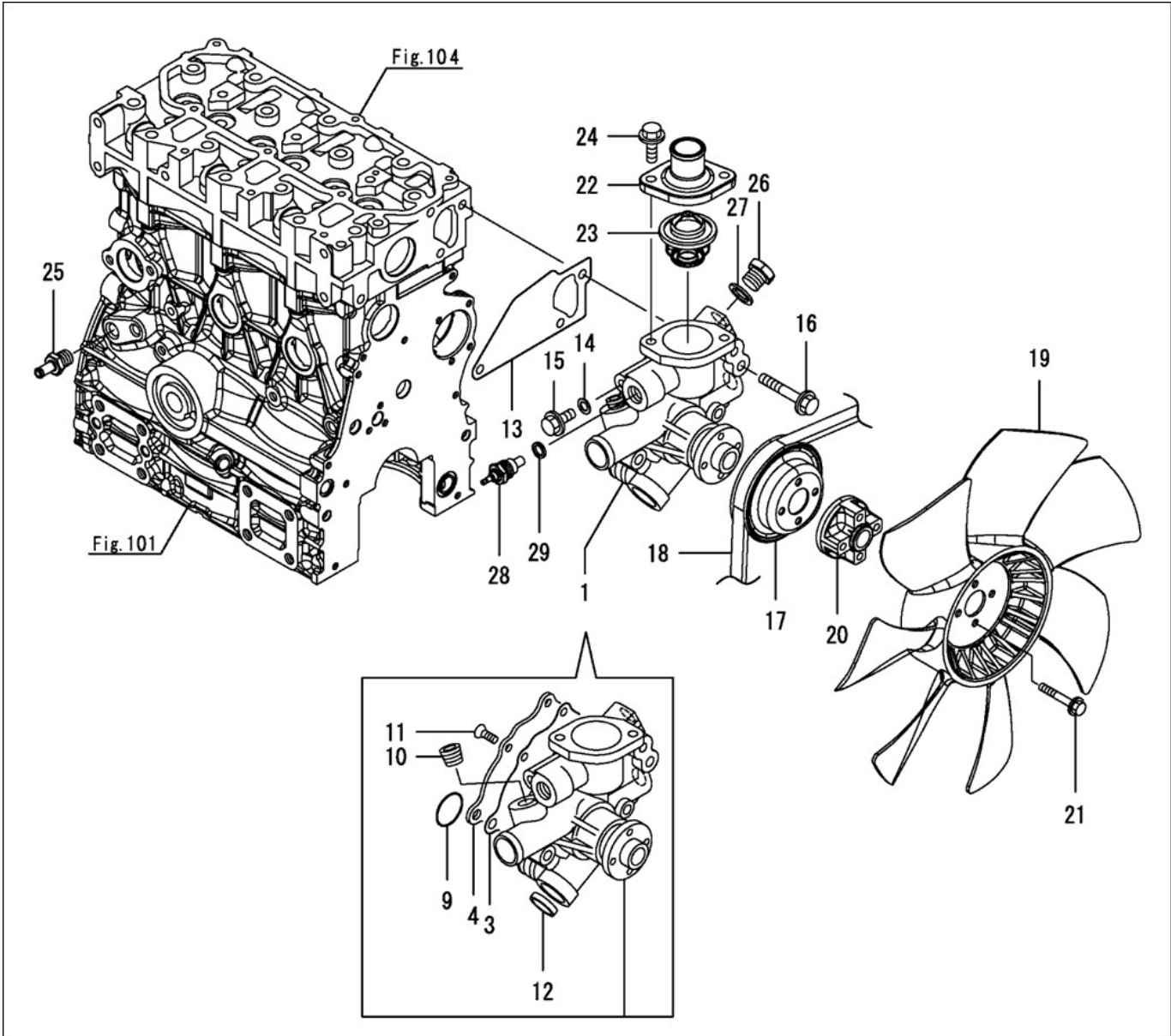
FIG 109

COOLING WATER SYSTEM

년/월  
Year/Month

2021-05

TC25NH



NOTE





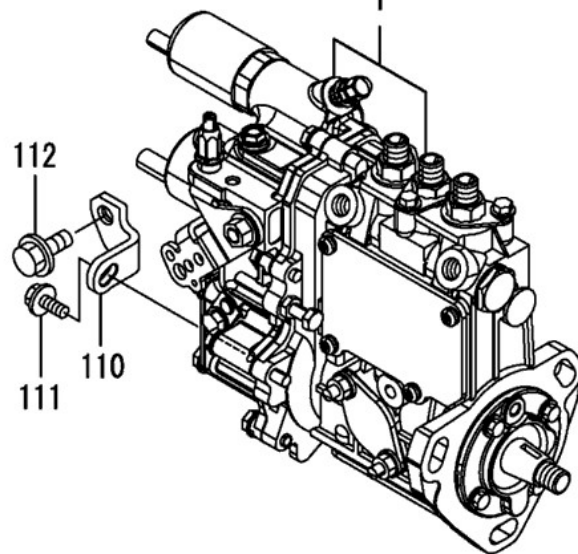
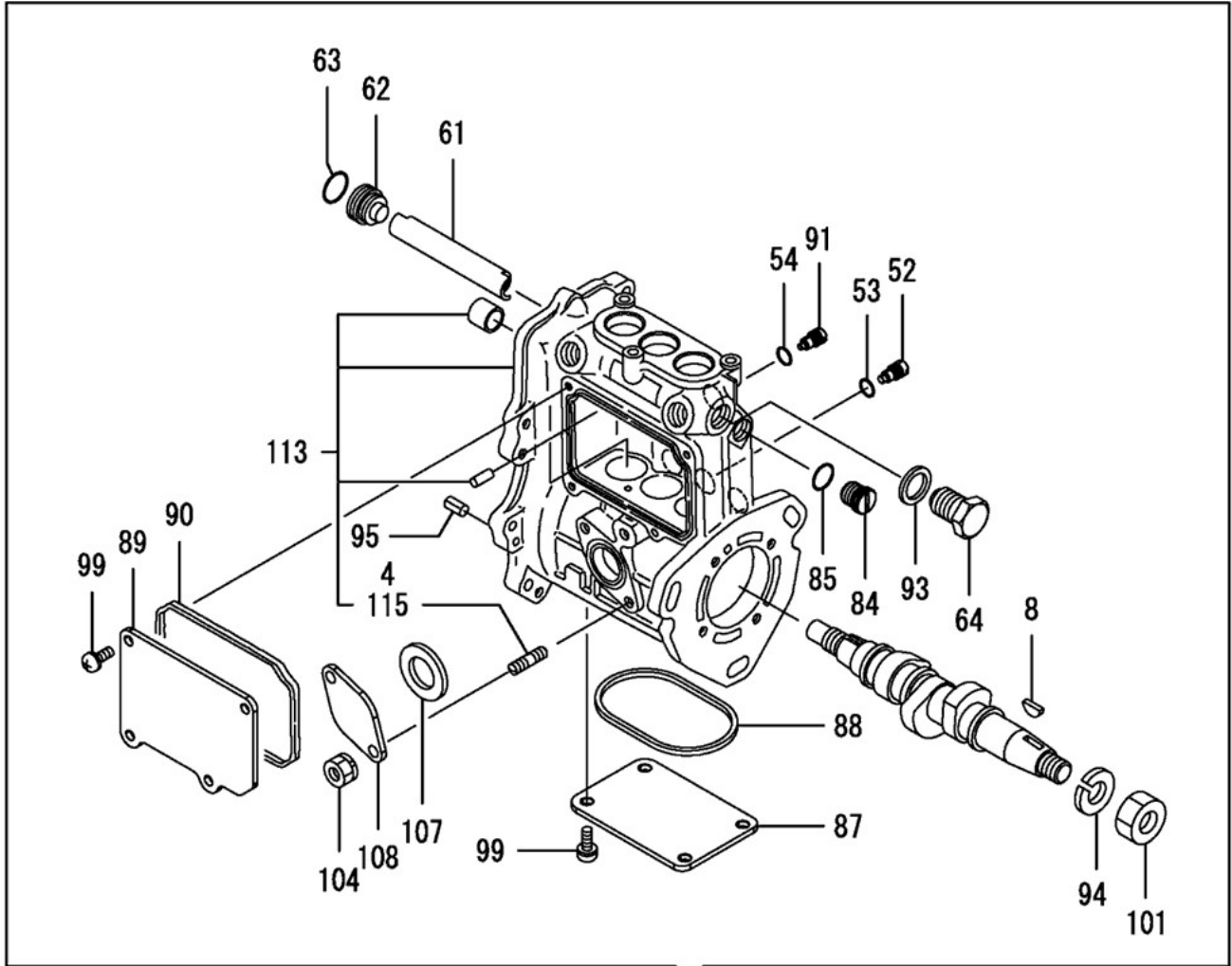
FIG 110

FUEL INJECTION PUMP

년/월  
Year/Month

2021-05

TC25NH



NOTE



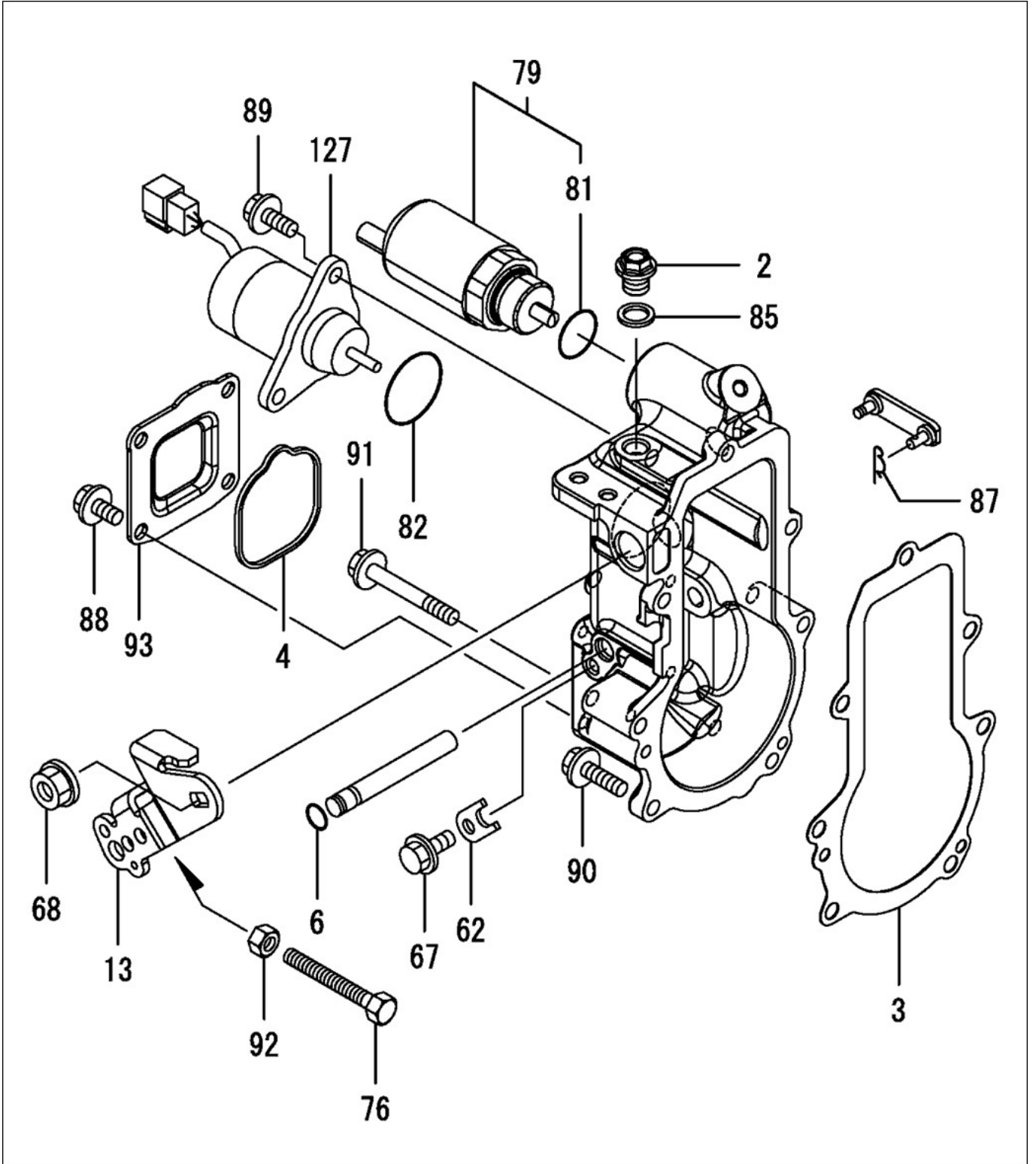
FIG 111

GOVERNOR

년/월  
Year/Month

2021-05

TC25NH



NOTE



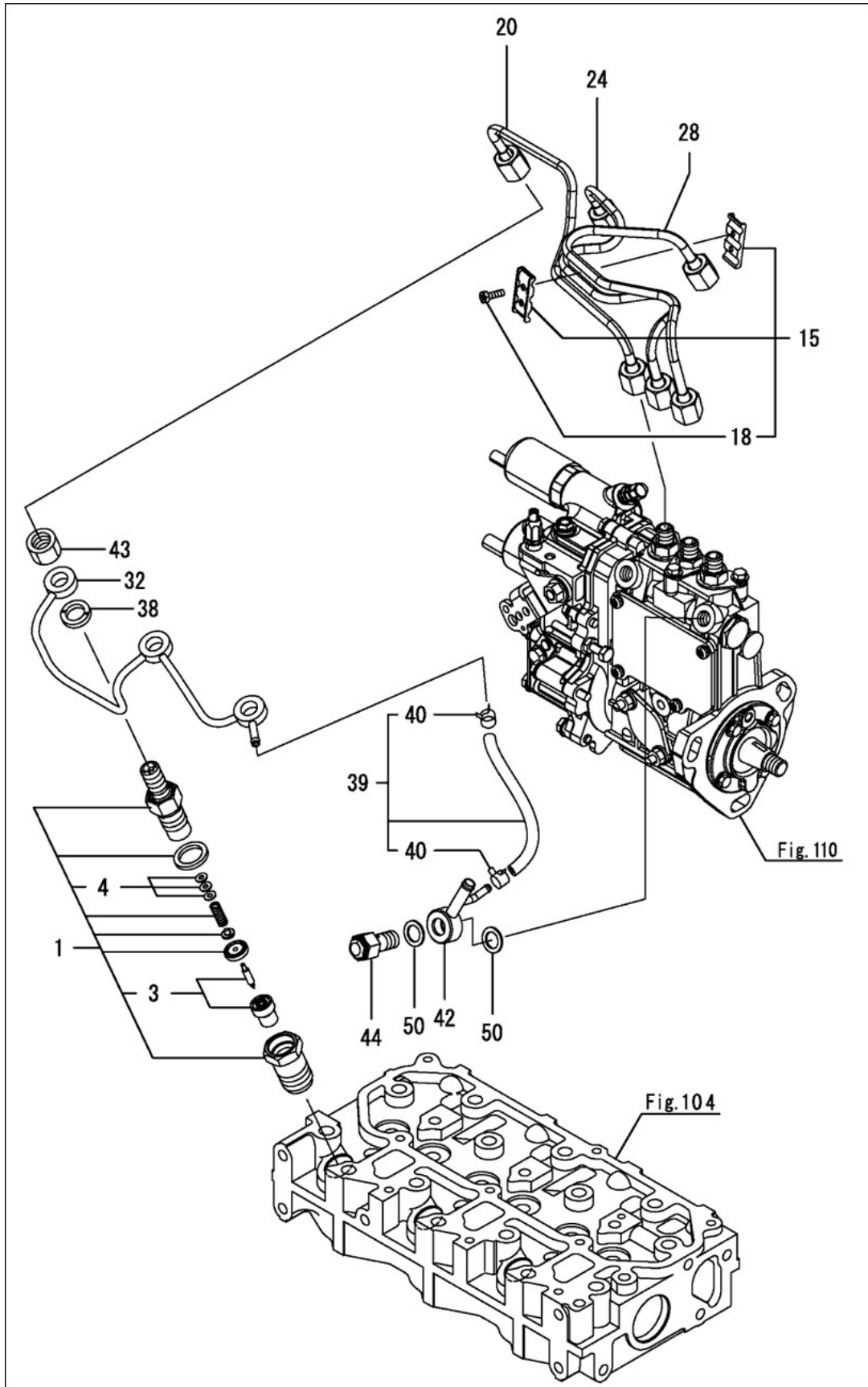
FIG 112

FUEL INJECTION VALVE

년/월  
Year/Month

2021-05

TC25NH



NOTE



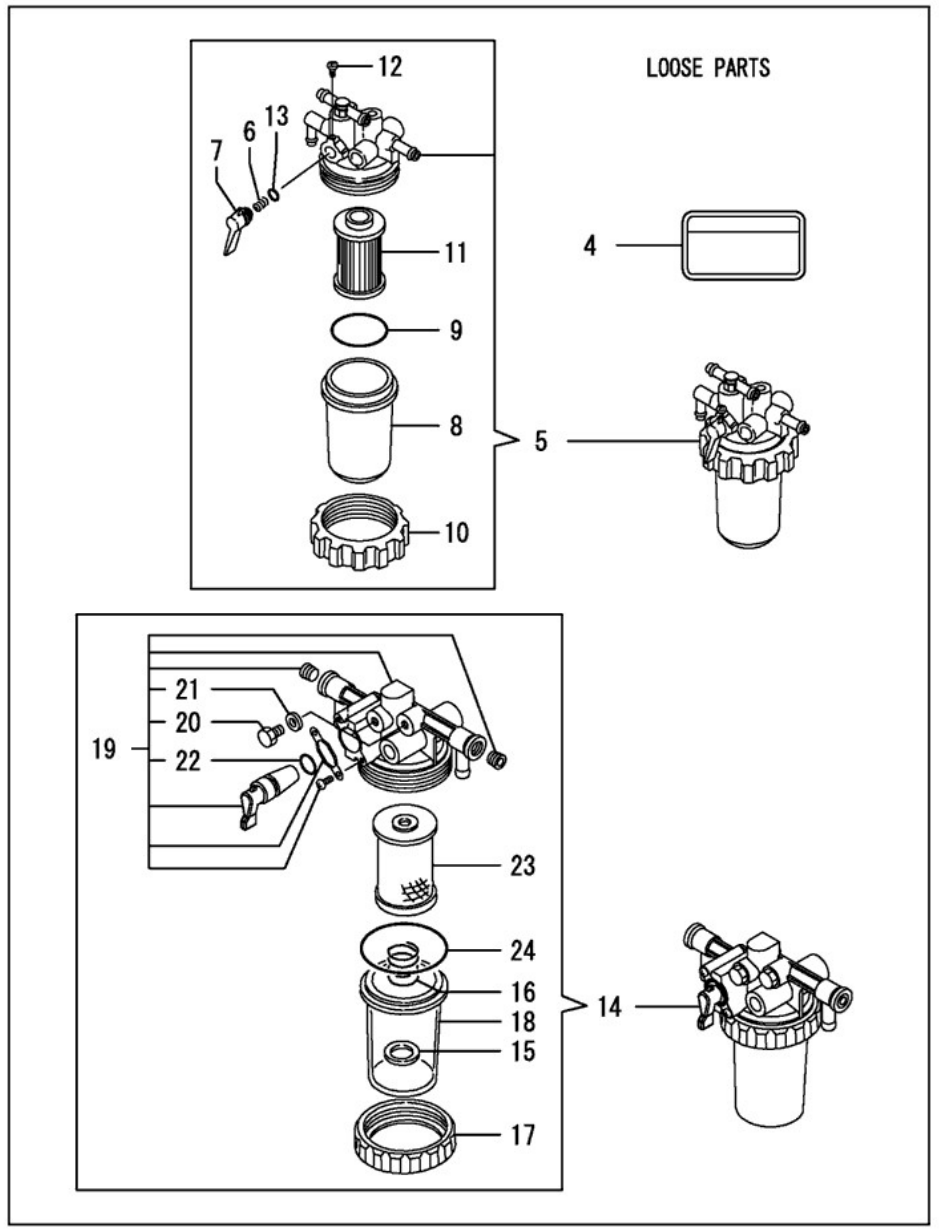
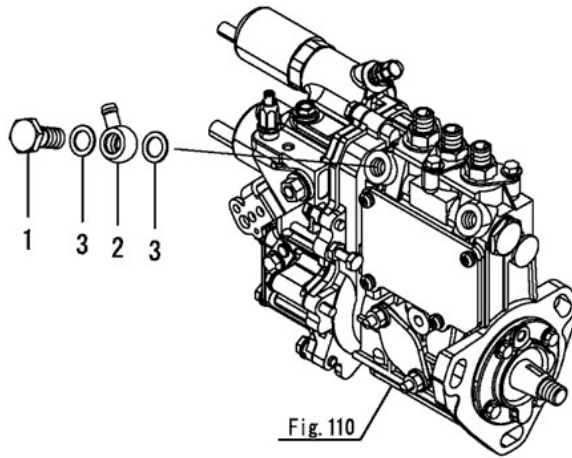
FIG 113

FUEL FILTER

년/월  
Year/Month

TC25NH

2021-05



NOTE





FIG 114

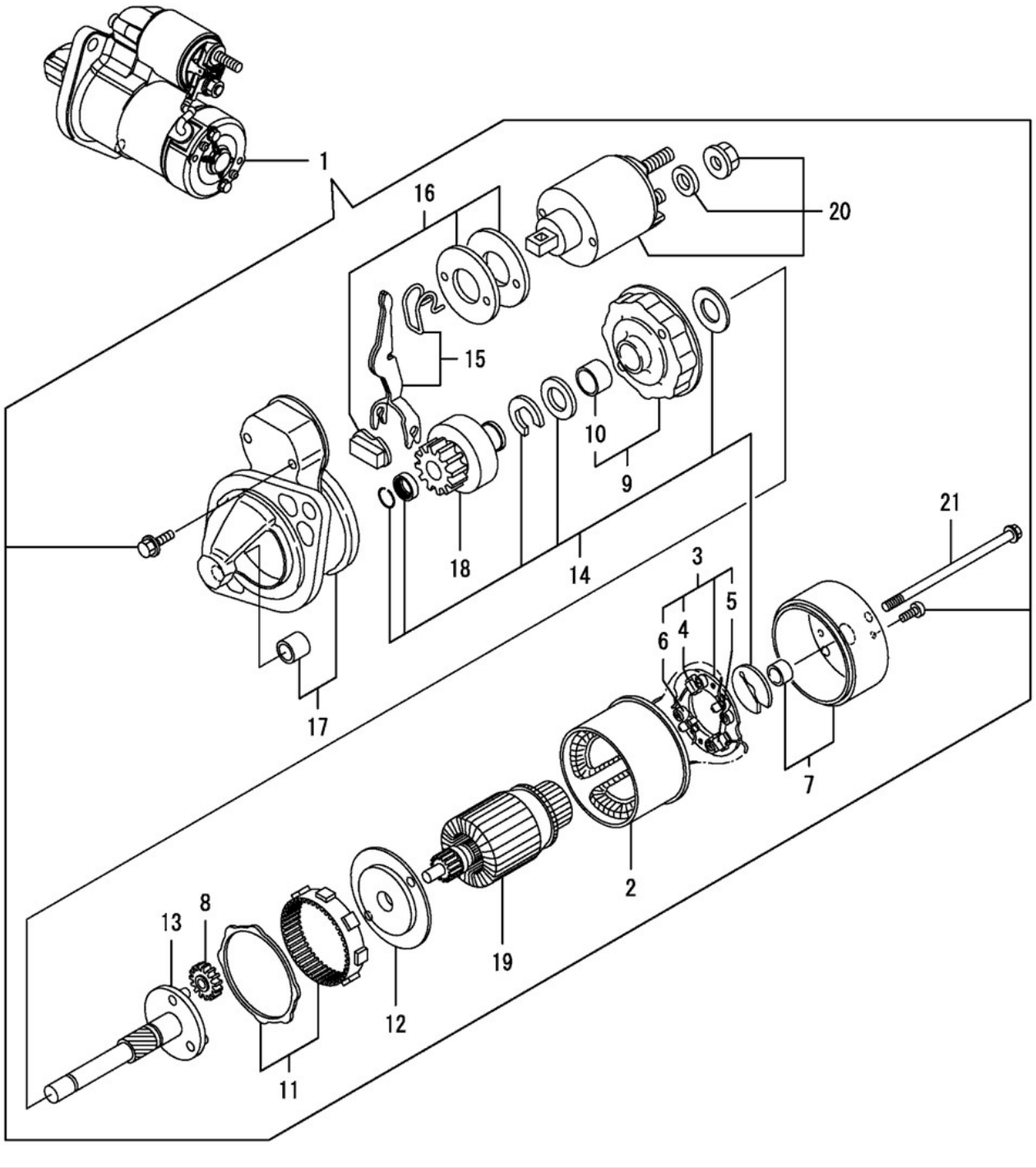
STARTING MOTOR

년/월  
Year/Month

TC25NH

2021-05

LOOSE PARTS



NOTE

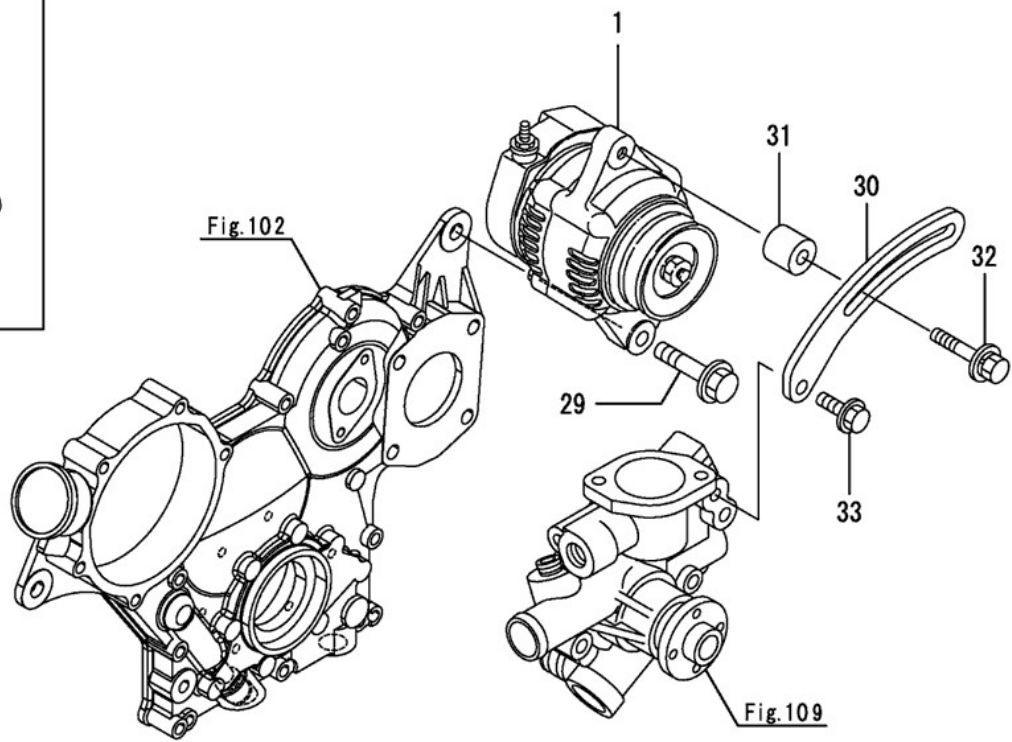
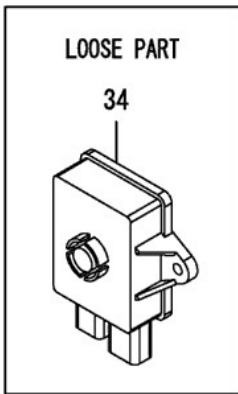
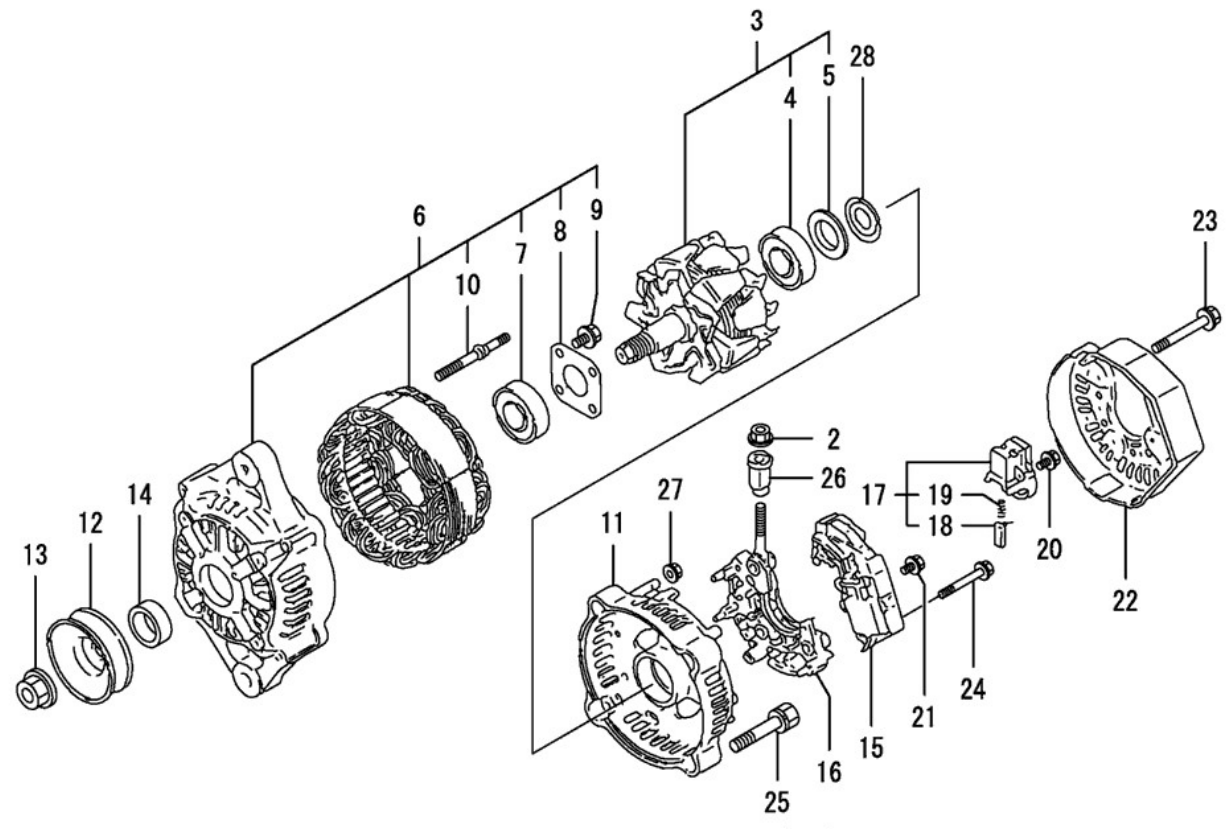


FIG 115

GENERATOR

년/월  
Year/Month

2021-05



NOTE



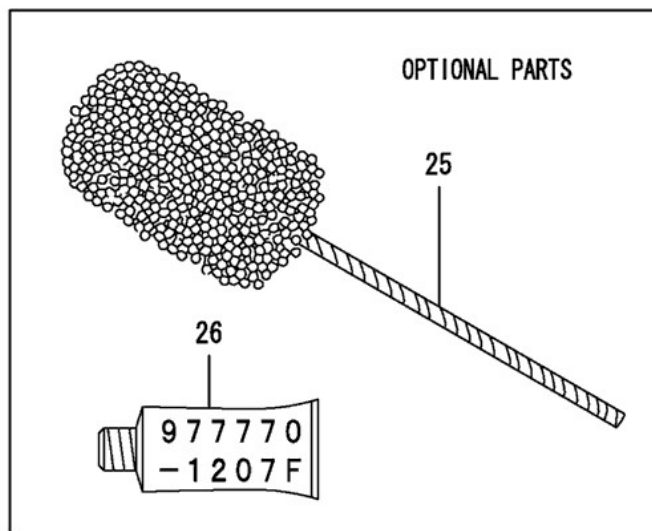
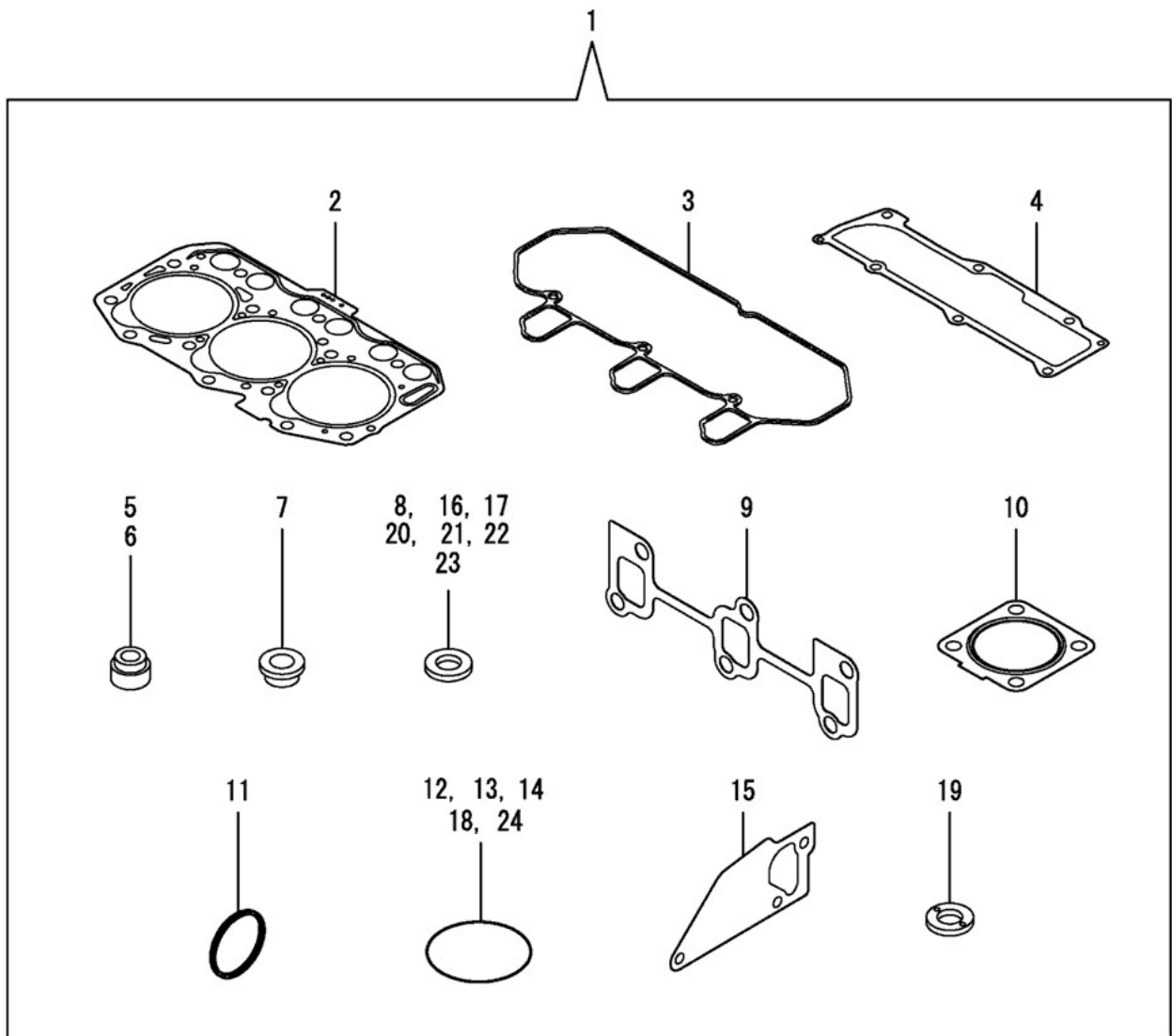
FIG 116

GASKET SET

년/월  
Year/Month

2021-05

TC25NH



NOTE



## 2. 엔진보기품 PART NO. T2

FIG 201 AIR CLEANER	40
FIG 202 RADIATOR	42
FIG 203 MUFFLER	44
FIG 204 FUEL TANK & FUEL LINE	46
FIG 205 ACCELERATOR	48
FIG 206 FUEL FILTER	50
FIG 207 ENGINE MOUNTING	52

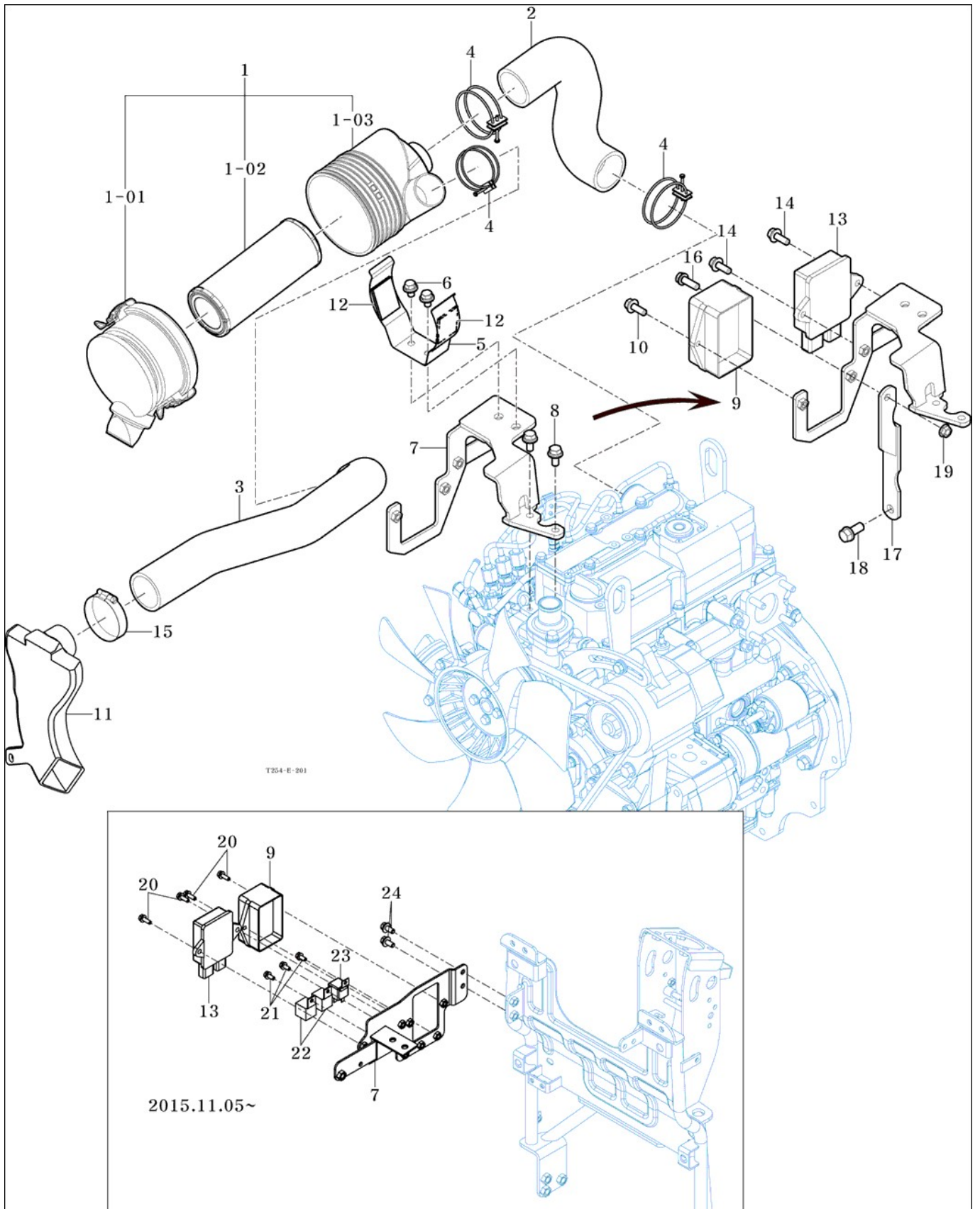
FIG 201

AIR CLEANER

년/월  
Year/Month

2021-05

TC25NH



NOTE





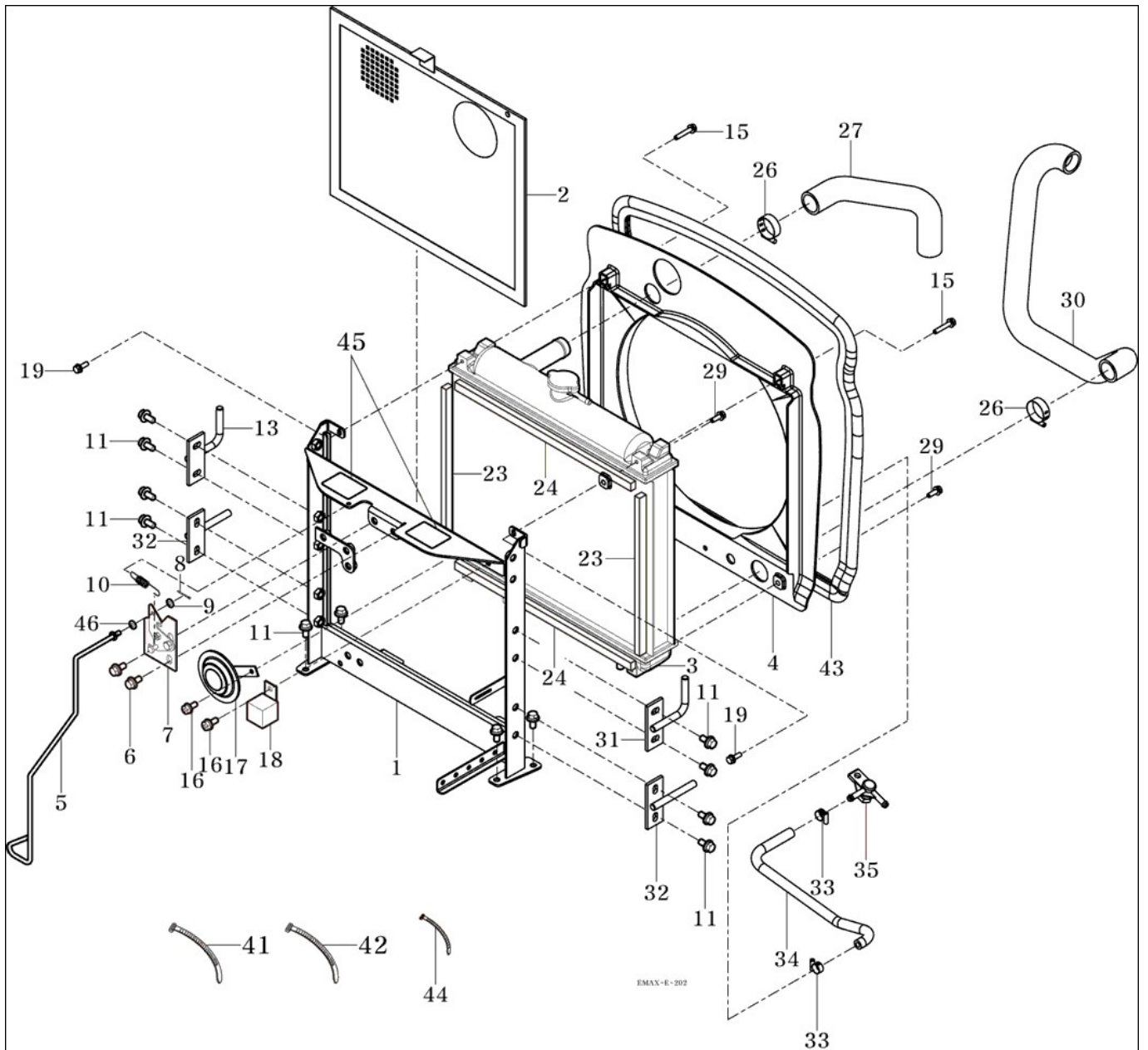
FIG 202

RADIATOR

년/월  
Year/Month

2021-05

TC25NH



NOTE



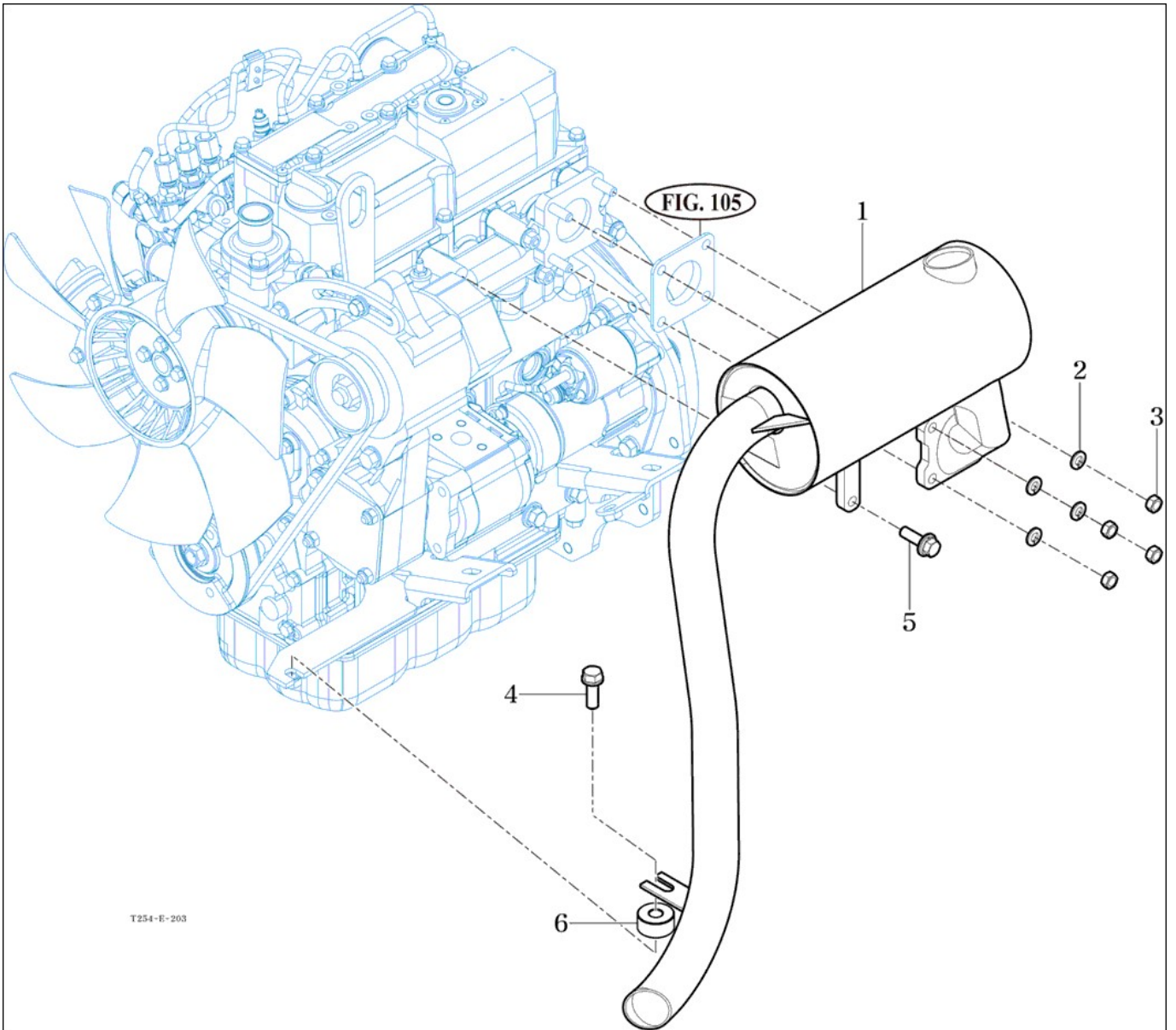
FIG 203

TC25NH

MUFFLER

년/월  
Year/Month

2021-05



NOTE



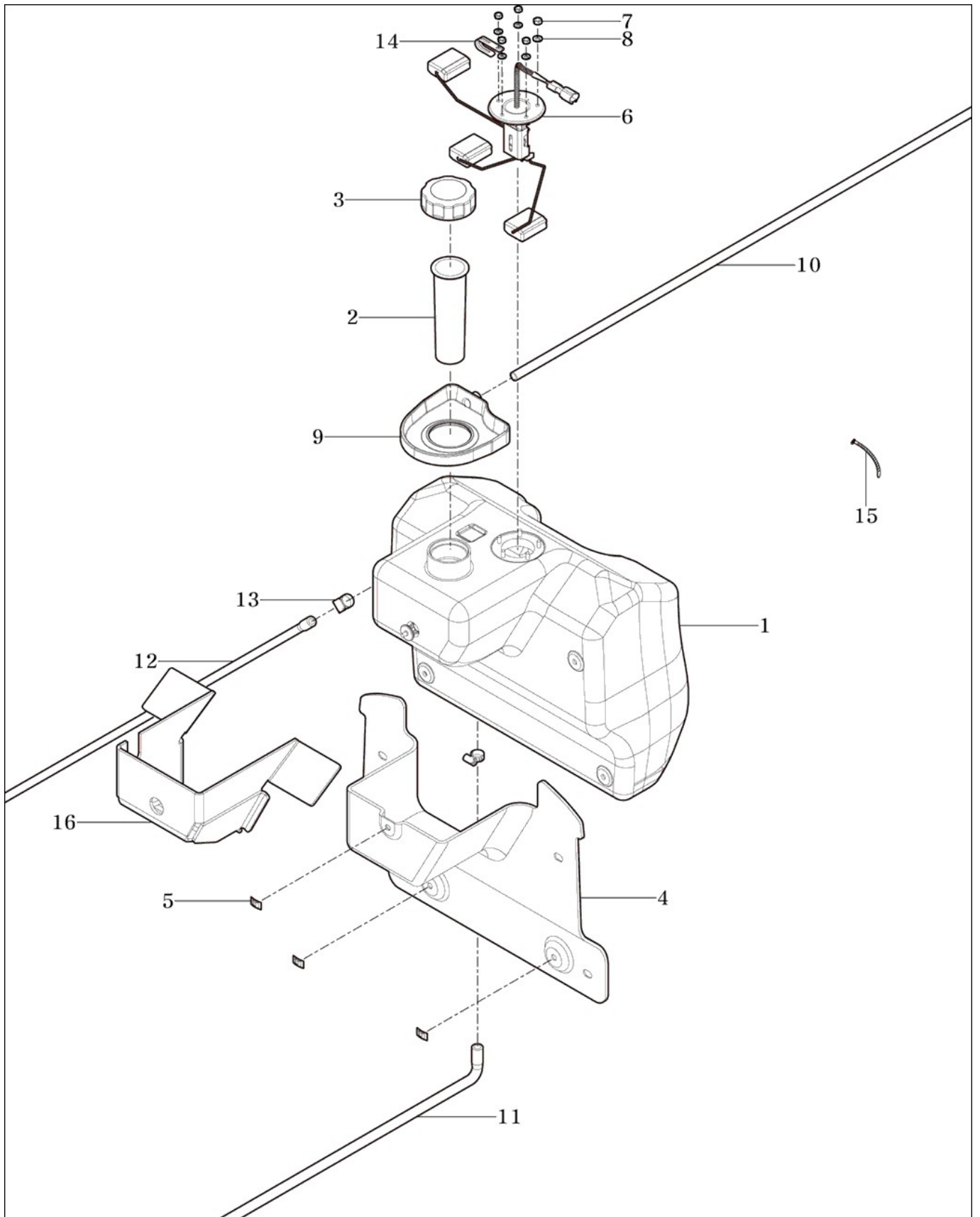
FIG 204

TC25NH

FUEL TANK & FUEL LINE

년/월  
Year/Month

2021-05



NOTE



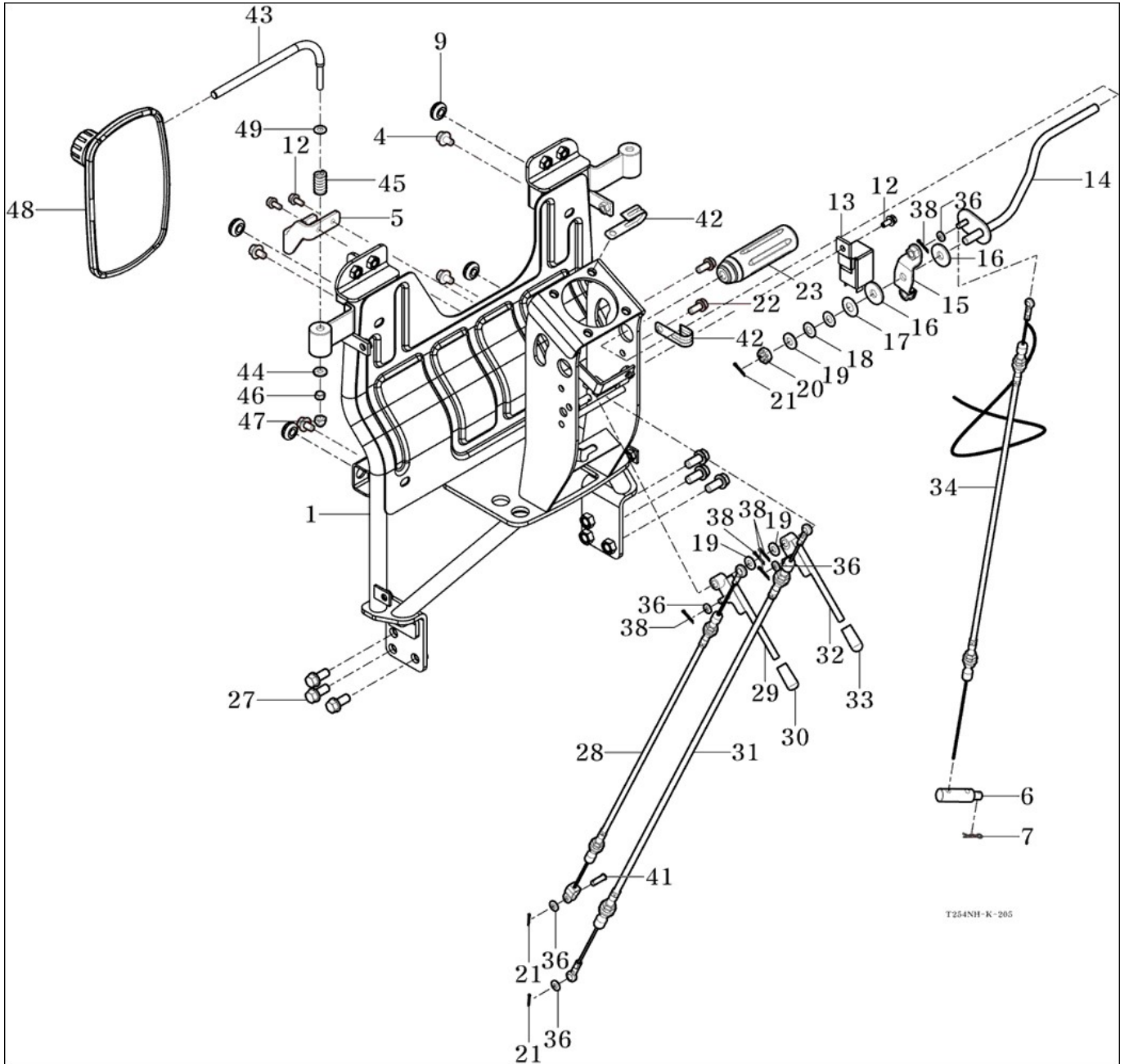
FIG 205

ACCELERATOR

년/월  
Year/Month

2021-05

TC25NH



NOTE



FIG 205 TC25NH		ACCELERATOR						년/월 Year/Month
								2021-05
KEY NO	PART NO	DESCRIPTION	SPEC	QTY	REPAIR	EFFECTIVE DATE	REMARKS	
205	1	11126302001GB	판넬 COMP , 대시	PANEL COMP , DASH	0	1		
205	4	V2183608016	소형육각볼트보통(SP)	M8X16	0			
205	5	11116302380GB	고정 브래킷 , 케이블 ASSY	FIX BRACKET , CABLE ASSY	0	1		
205	6	11111162411	핀 , 악셀레이터	PIN , ACCELERATOR	0	1		
205	7	21306010180	헤어핀(6)	D=1.2	0			
205	9	19026642010	그로릿(12X17X3.2)	1X1X1	0			
205	12	V2123606016	육각볼트(SP)	M6X16	0			
205	13	15606642401	플래셔(3P/금색)	1X1X1	0			
205	14	11111162500GB	레바 COMP , 바/10	LEVER COMP , BAR 10	0	1		
205	15	11101162600	브래킷 COMP , 악셀레이터	BRACKET COMP , ACCEL	0	1		
205	16	15965120021	라이닝(11X30X03)	T=3	0			
205	17	36104400180	소입폴리핀 와셔	T=1.0	0			
205	18	14527060010	접시스프링와셔/M10	M10	0			
205	19	V4111600100	평와셔	M10	0			
205	20	V3232600100	소형흠불이육각너트저형	M10	0			
205	21	V5001920015	분할핀	2X15	0			
205	22	V2173608020	소형육각볼트보통(S)	M8X20	0			
205	23	17681170050	그립(리버스)	1X1X1	0			
205	27	V2173610030	소형육각볼트보통(S)	M10X30	0			
205	28	11103286300	주차브레이크 케이블 ASSY	CABLE ASSY , PARKING	0	1		
205	29	11106301000GB	레버 COMP , 주차	LEVER COMP,PARKIN	0	1		
205	30	21615250020	레버손잡이(적색)		0			
205	31	11106304101	크루즈 케이블 ASSY	CABLE ASSY , CRUISE	0	1		
205	32	11106304000GB	레버 COMP , 크루즈	LEVER COMP , CRUISE	0	1		
205	33	14445070030	레버손잡이	1X1X1	0			
205	34	11111162100	스로틀 케이블 ASSY	CABLE ASSY , THROTTLE	0	1		
205	36	V4111600060	평와셔	M6	0			
205	38	V5001920020	분할핀	2X20	0			
205	41	15601160083	핀 (06X16)	D=6	0			
205	42	14256210040	하니스클램프(9)		0			
205	43	11126313011GB	스테이 , 사이드 미러	STAY , SIDE MIRROR	0	1		
205	44	11126313020	와셔(10X22X3)	WASHER , 10X22X3	0	1		
205	45	19027732040	백미러스프링	D=4.0	0			
205	46	V3013600100	육각너트보통2종	M10	0			
205	47	V3402600100	육각캡너트	M12	0			
205	48	14527062200	미러 ASSY	1X1X1	0			
205	49	V4111600100	평와셔	M10	0			
NOTE								

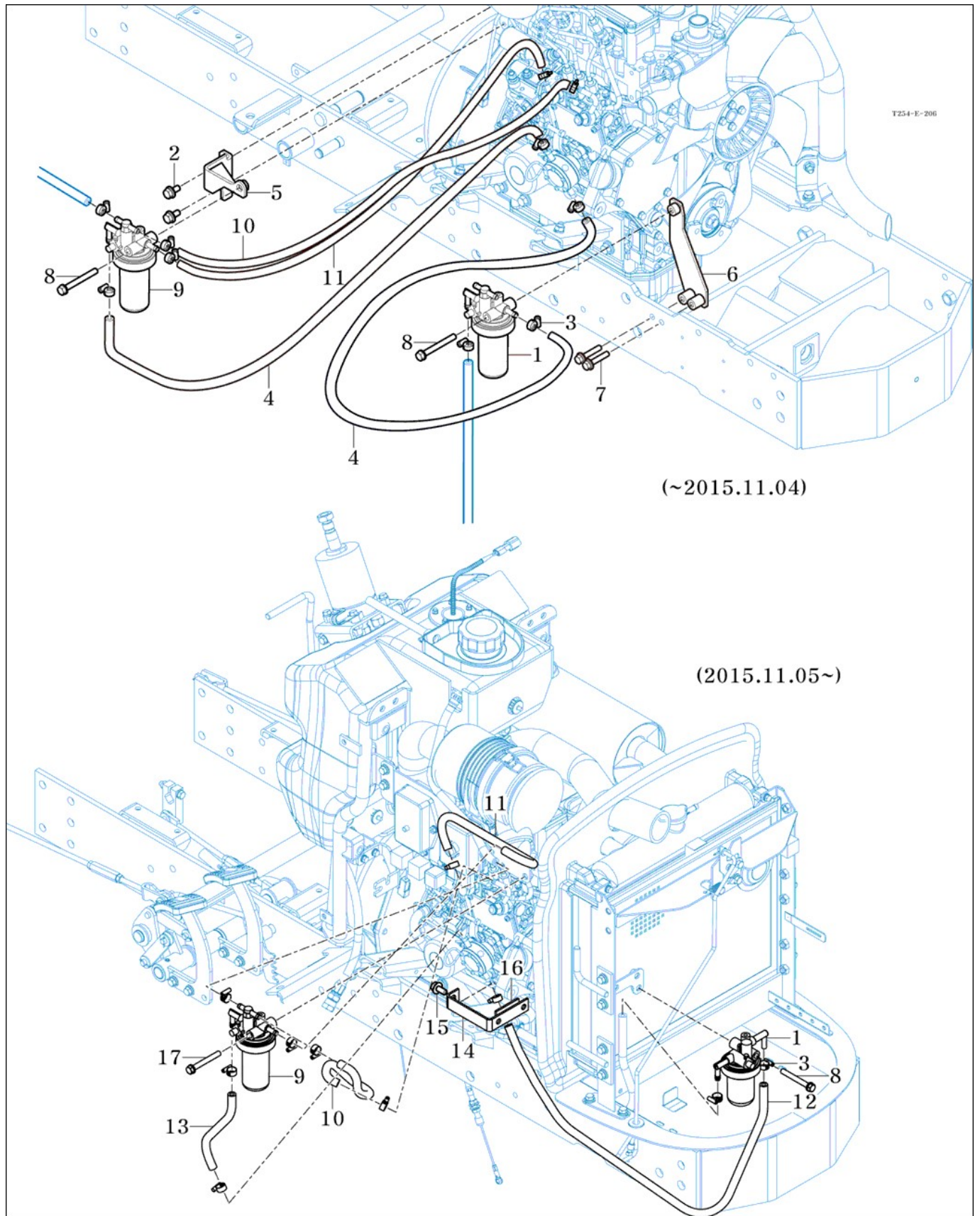
FIG 206

FUEL FILTER

년/월  
Year/Month

TC25NH

2021-05



(~2015.11.04)

(2015.11.05~)

NOTE



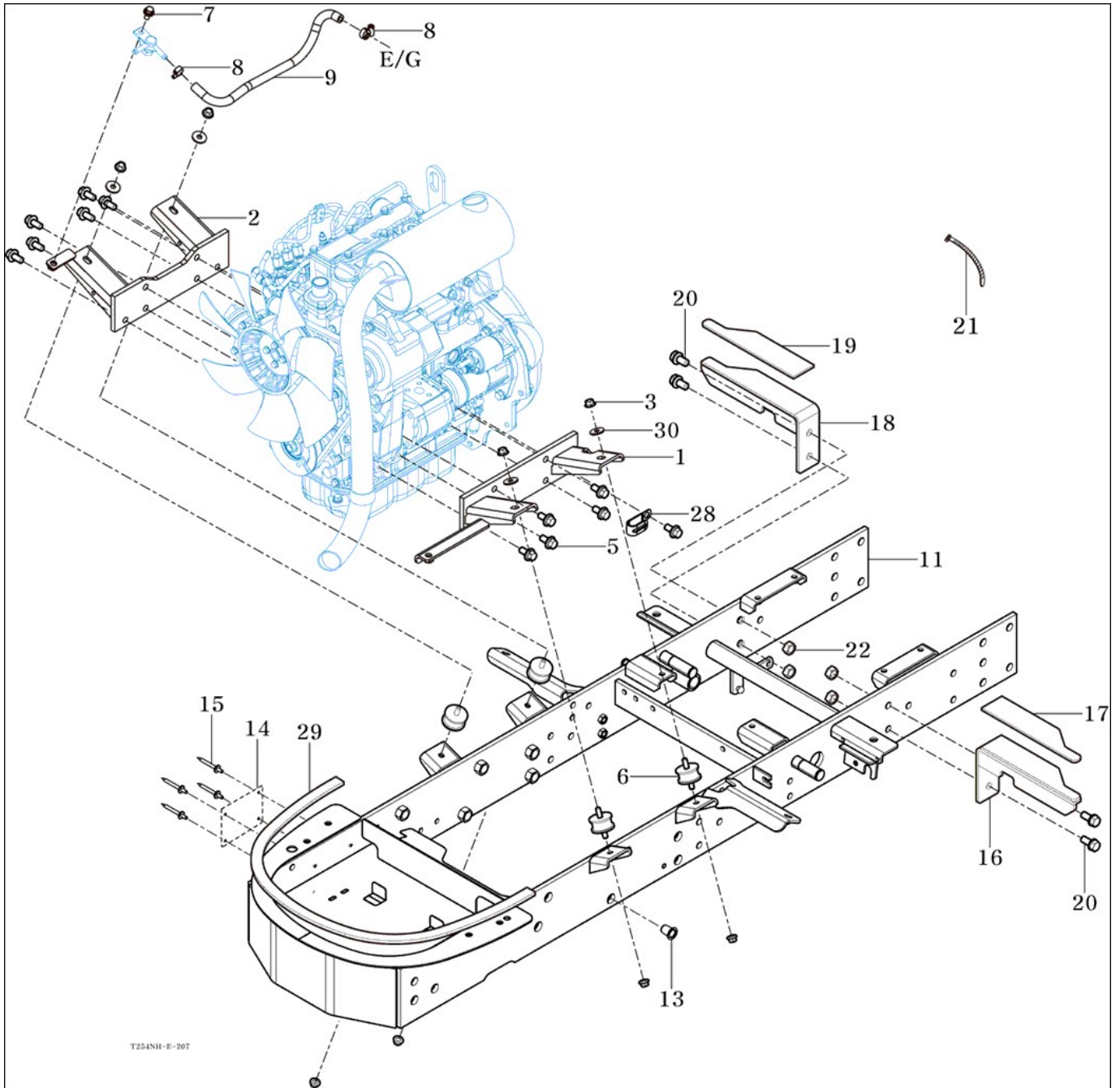
FIG 207

ENGINE MOUNTING

년/월  
Year/Month

2021-05

TC25NH



NOTE



### 3. 클러치/브레이크/스티어링 PART NO. T3

FIG 301 FLYWHEEL COVER	55
FIG 302 BRAKE	57
FIG 303 BRAKE PEDAL & LINKAGE	59
FIG 304 SPEED CONTROL	61
FIG 305 DASH COVER	64
FIG 306 STEERING VALVE	66
FIG 307 STEERING CYLINDER	68
FIG 308 STEERING WHEEL	70
FIG 309 TIRE	72

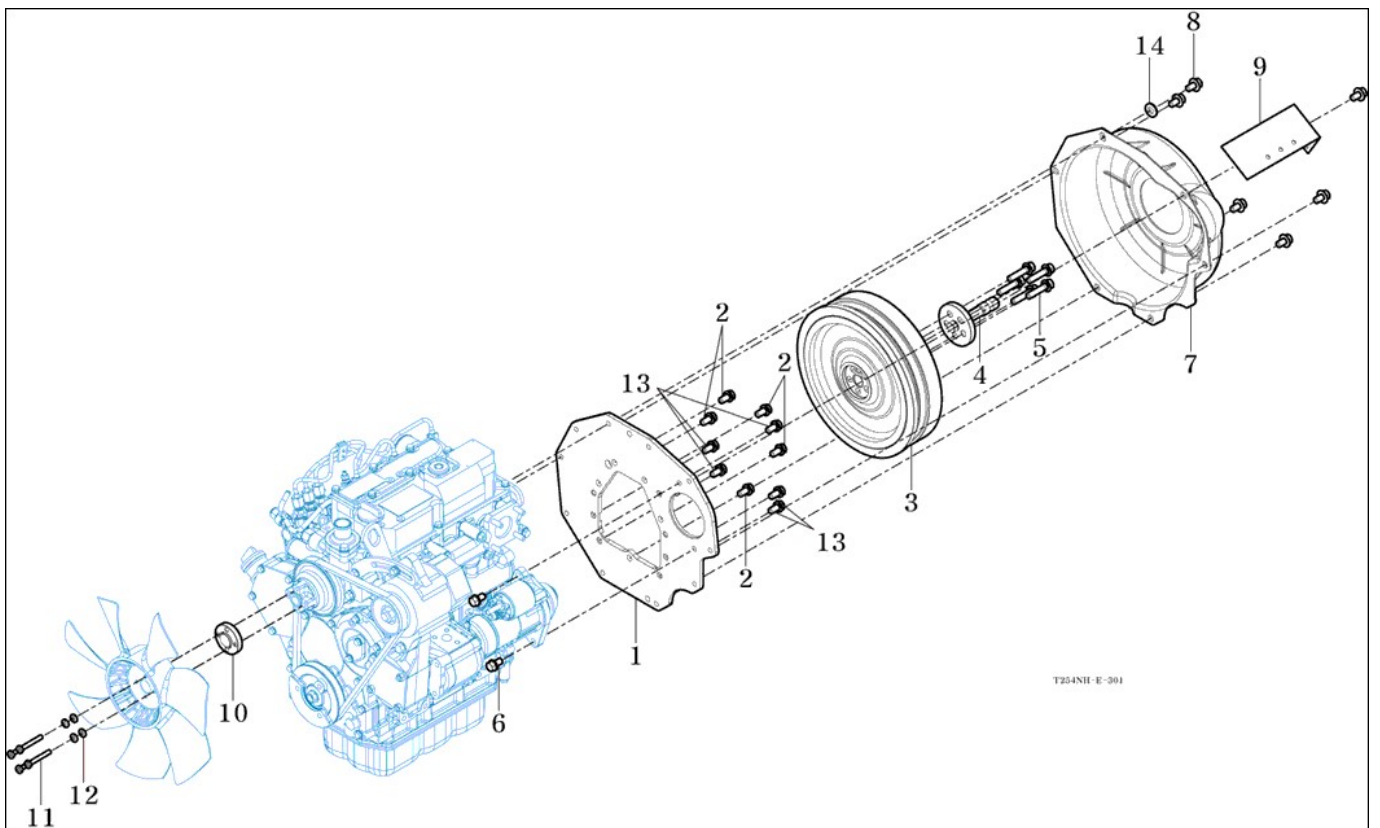
FIG 301

TC25NH

FLYWHEEL COVER

년/월  
Year/Month

2021-05



T204NH-E-301

NOTE



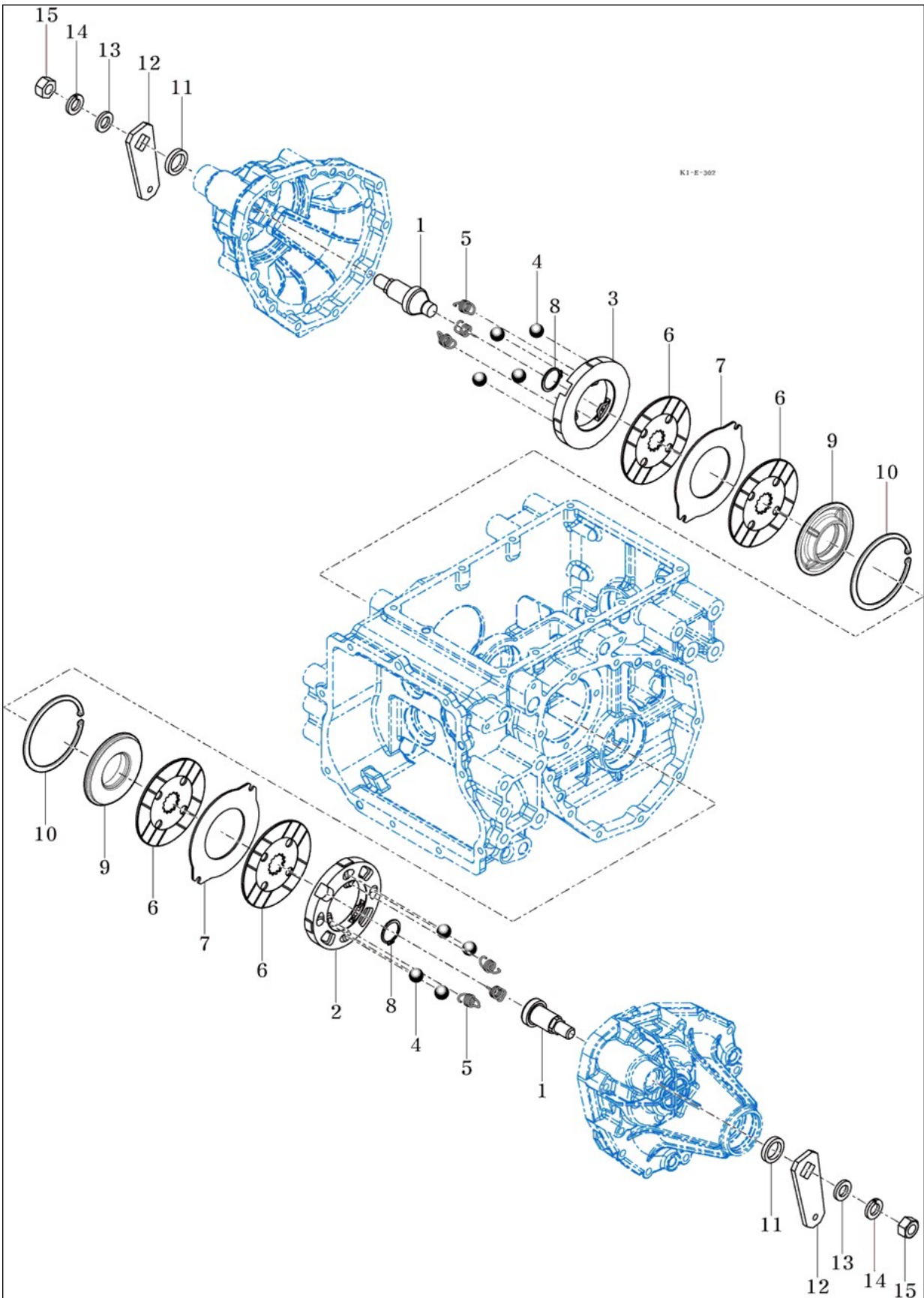


FIG 302

BRAKE

년/월  
Year/Month

2021-05



NOTE



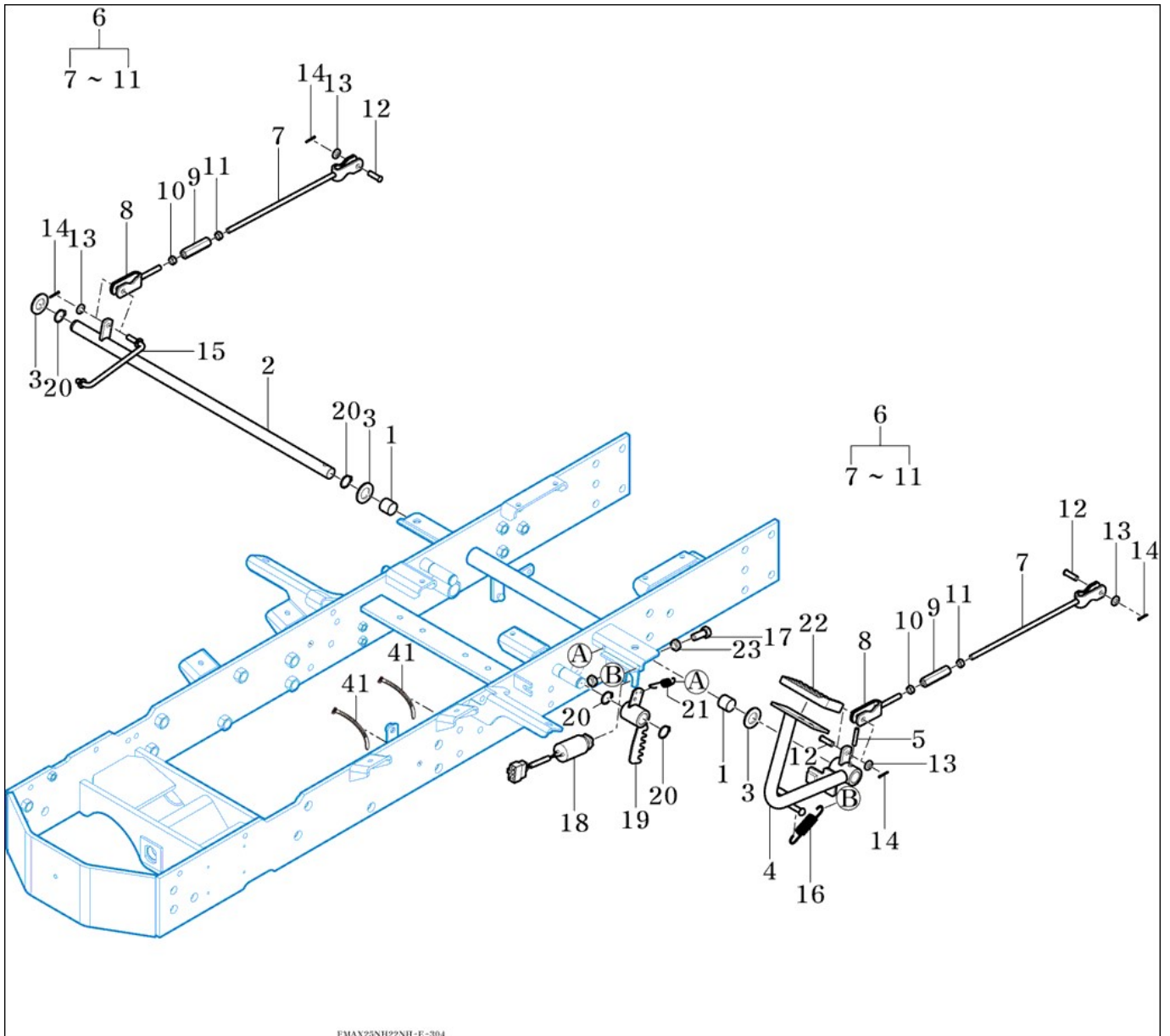
FIG 303

BRAKE PEDAL & LINKAGE

년/월  
Year/Month

2021-05

TC25NH



NOTE



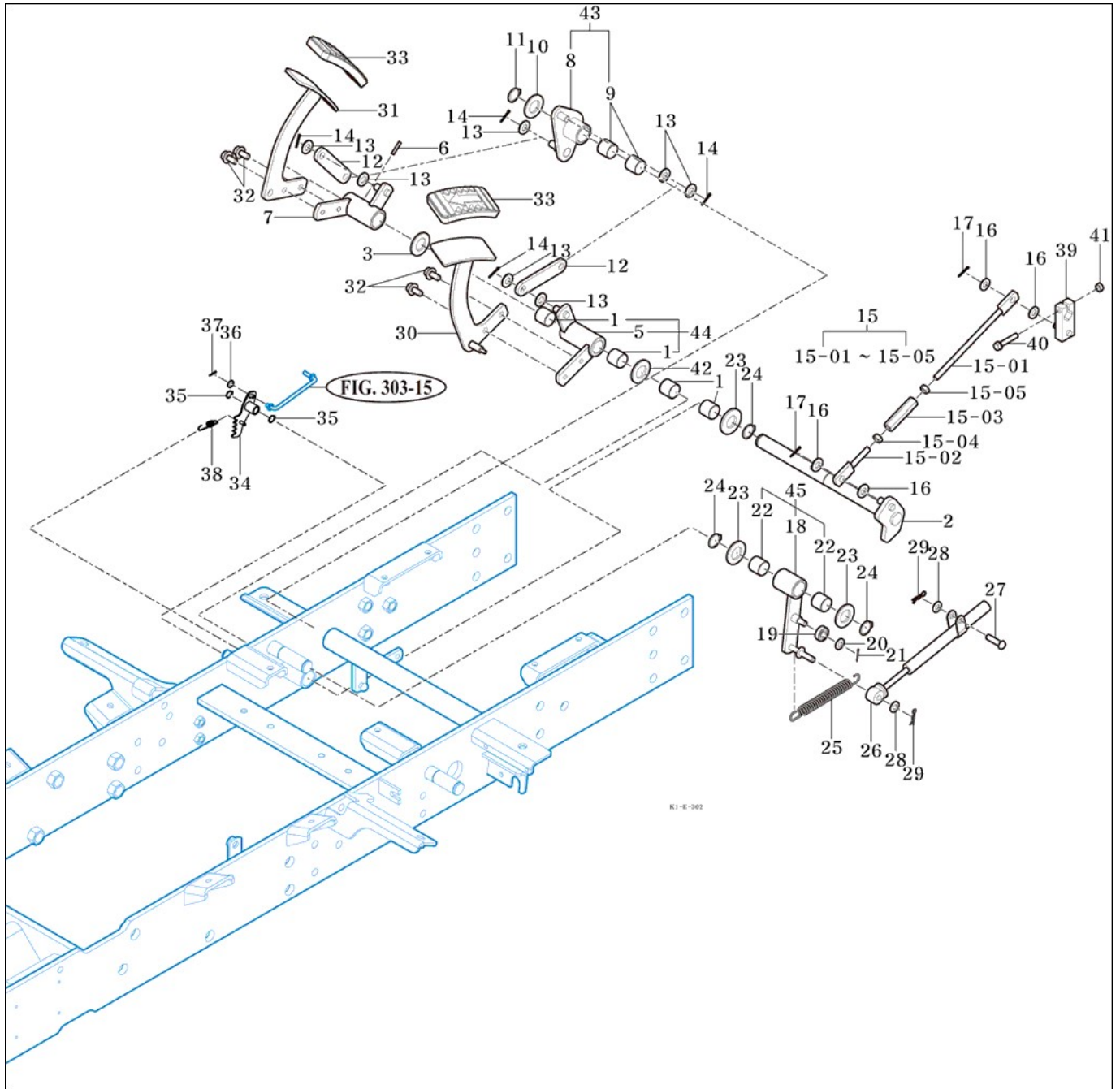
FIG 304

SPEED CONTROL

년/월  
Year/Month

2021-05

TC25NH



NOTE

FIG 304		SPEED CONTROL					년/월 Year/Month		
							2021-05		
TC25NH		KEY NO	PART NO	DESCRIPTION	SPEC	QTY	REPAIR	EFFECTIVE DATE	REMARKS
304	1	11102320030	부시(20X23X20)	BUSH , 20X23X20		0	4		C
304	2	11102323102	페달 샤프트 COMP	SHAFT COMP , PEDAL		0	1		
304	3	V4111600200	평와셔	M20		0			
304	5	11102323201	전진 암 COMP	ARM COMP , FORWARD		0	1		
304	6	V5801406032	스프링핀	6X32		0			C
304	7	11102323301	후진 암 COMP	ARM COMP , REVERSE		0	1		
304	8	11102323401	연결암 COMP	ARM COMP , CONNECT		0	1		
304	9	11102320030	부시(20X23X20)	BUSH , 20X23X20		0	2		C
304	10	V4111600200	평와셔	M20		0			
304	11	V7041400200	C형멈춤링(축용)	20		20			
304	12	11102320010	링크	LINK		0	2		
304	13	V4111600100	평와셔	M10		0			
304	14	V5001920015	분할핀	2X15		0			
304	15	11102325001	컨트롤 로드 ASSY	ROD ASSY , CONTROL		0	1		
304	1501	11102325101	로드 COMP(LH)	ROD COMP , LH		0	1		
304	1502	11102325201	로드 COMP(RH)	ROD COMP , RH		0	1		
304	1503	16601220020	터언버클(M8,60)			0			
304	1504	V3042600080	소형육각너트보통2종	M8		0			
304	1505	15601320073	육각너트(SM,LH,M8)	"2종 ,M8"		0			
304	16	V4111600100	평와셔	M10		0			
304	17	V5001920015	분할핀	2X15		0			
304	18	11102324101	암 COMP(캠)	ARM COMP , CAM		0	1		
304	19	14722310060	볼베어링(608DD)			0			
304	20	V4111600080	평와셔	M8		0			
304	21	V5001920015	분할핀	2X15		0			
304	22	11102320030	부시(20X23X20)	BUSH , 20X23X20		0	2		C
304	23	V4111600200	평와셔	M20		0			
304	24	V7041400200	C형멈춤링(축용)	20		20			
304	25	14722310033	스프링(리턴)	D=2.4		0			
304	26	11102321000	오일 댐퍼(110)	DAMPER , OIL 110		0	1		
304	27	14043120060	요오크핀 (A)	D=8		0			
304	28	V4111600080	평와셔	M8		0			
304	29	V5601600008	스냅핀	8		0			
304	30	11102322400GB	전진 페달 COMP	PEDAL COMP , FORWARD		0	1		
304	31	11102322500GB	후진 페달 COMP	PEDAL COMP , REVERSE		0	1		
304	32	V2183608020	소형육각볼트보통(SP)	M8X20		0			
304	33	14722312730	패드	1X1X1		0			
304	34	11102326201	크루즈 래칫 COMP	RATCHET COMP , CRUIS		0	1		
304	35	V7041400150	C형멈춤링(축용)	15		0			
304	36	V4111600080	평와셔	M8		0			
304	37	V5001920015	분할핀	2X15		0			
304	38	11102320020	스프링(66)	SPRING , 66		0	1		
304	39	11102322100	홀더 COMP	HOLDER COMP		0	1		
304	40	V2173608045	소형육각볼트보통(S)	M8X45		0			
304	41	V3042600080	소형육각너트보통2종	M8		0			
NOTE									



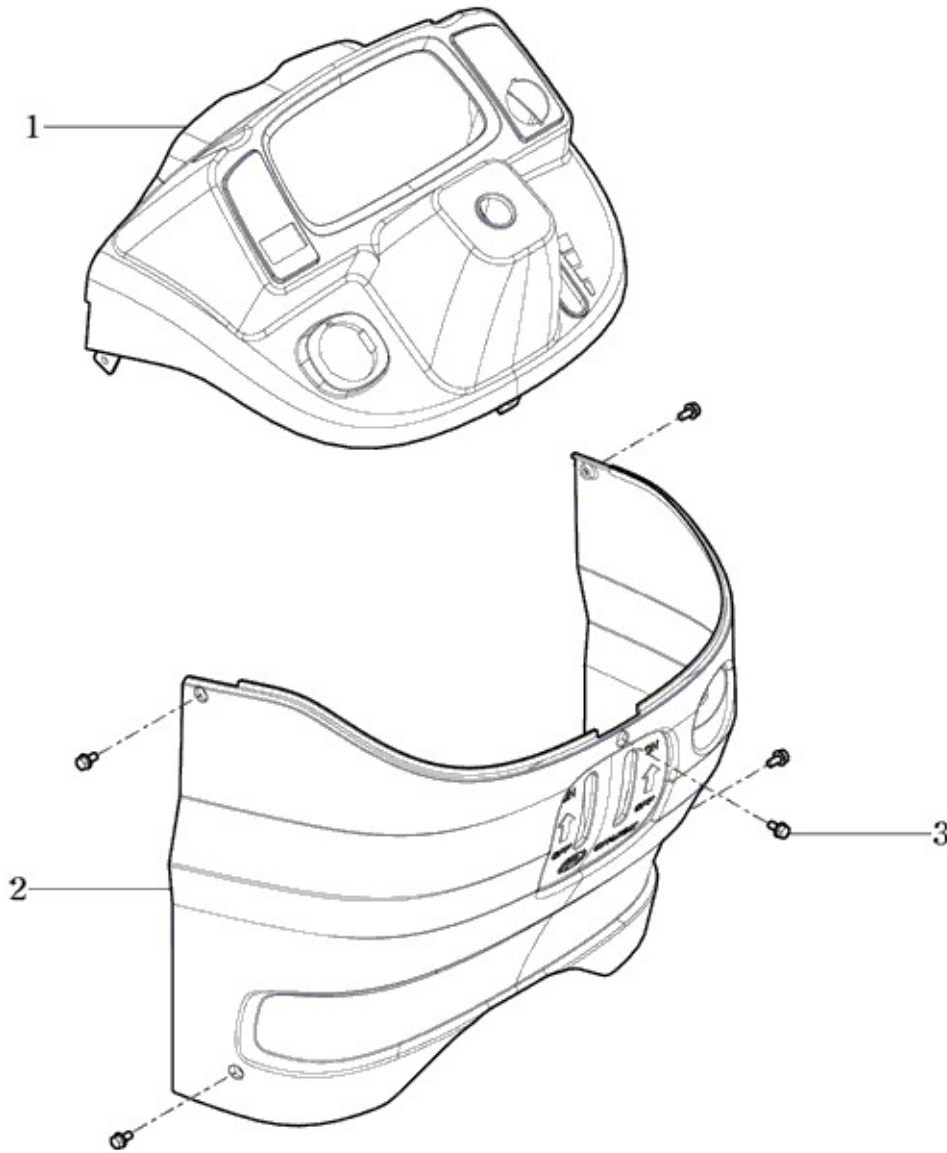
FIG 305

TC25NH

DASH COVER

년/월  
Year/Month

2021-05



NOTE





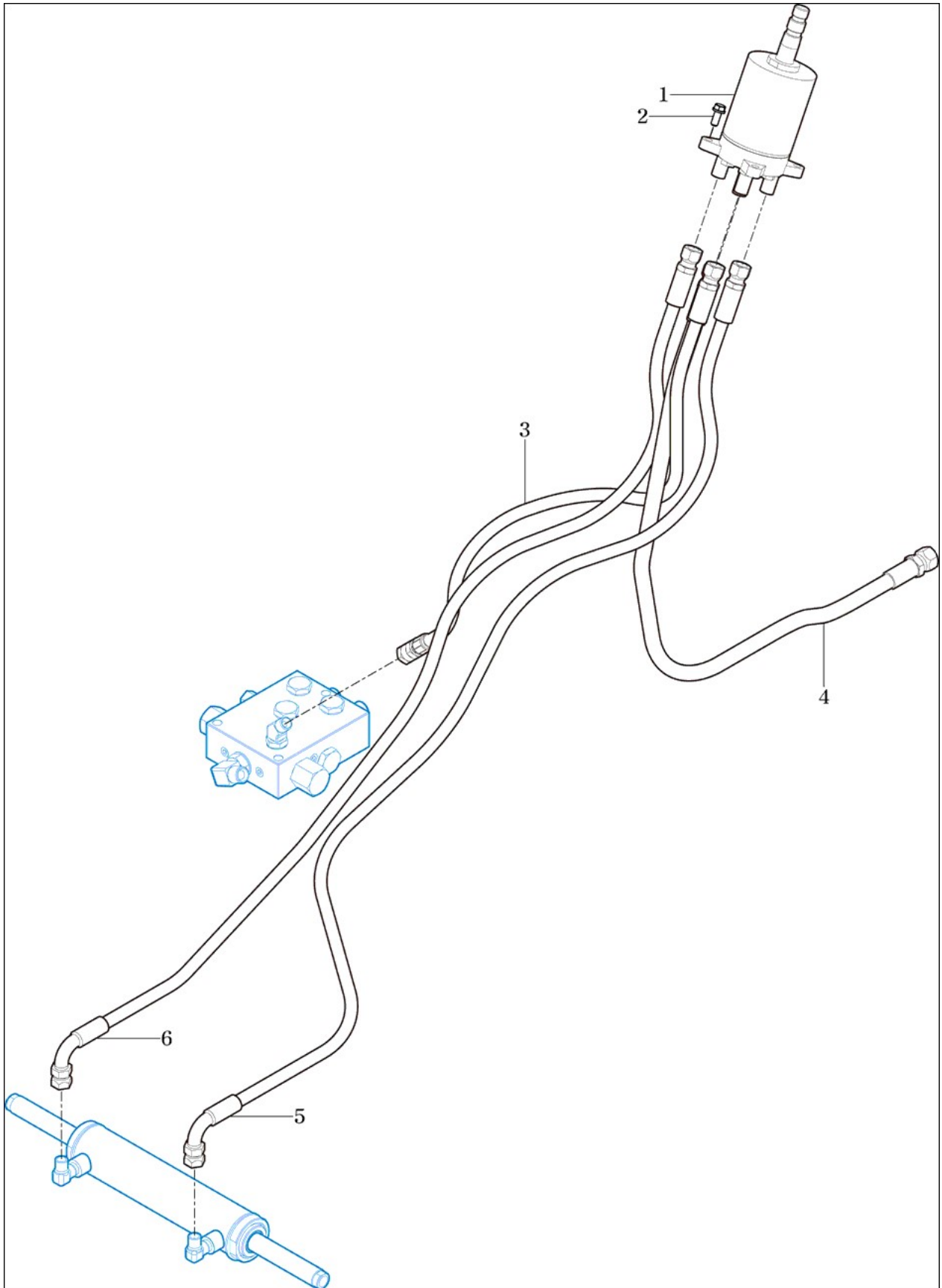
FIG 306

STEERING VALVE

년/월  
Year/Month

TC25NH

2021-05



NOTE



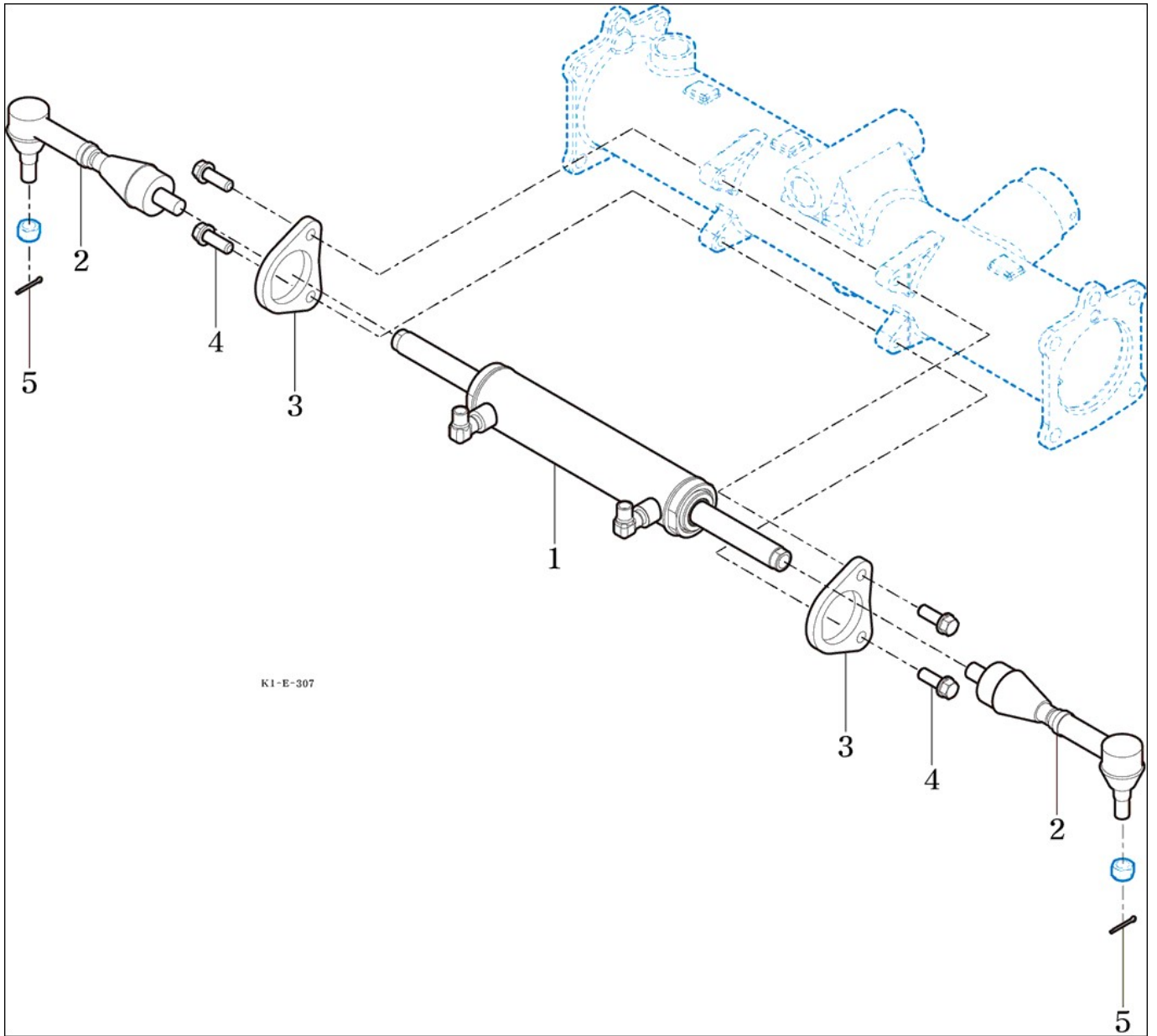
FIG 307

TC25NH

STEERING CYLINDER

년/월  
Year/Month

2021-05



K1-E-307

NOTE



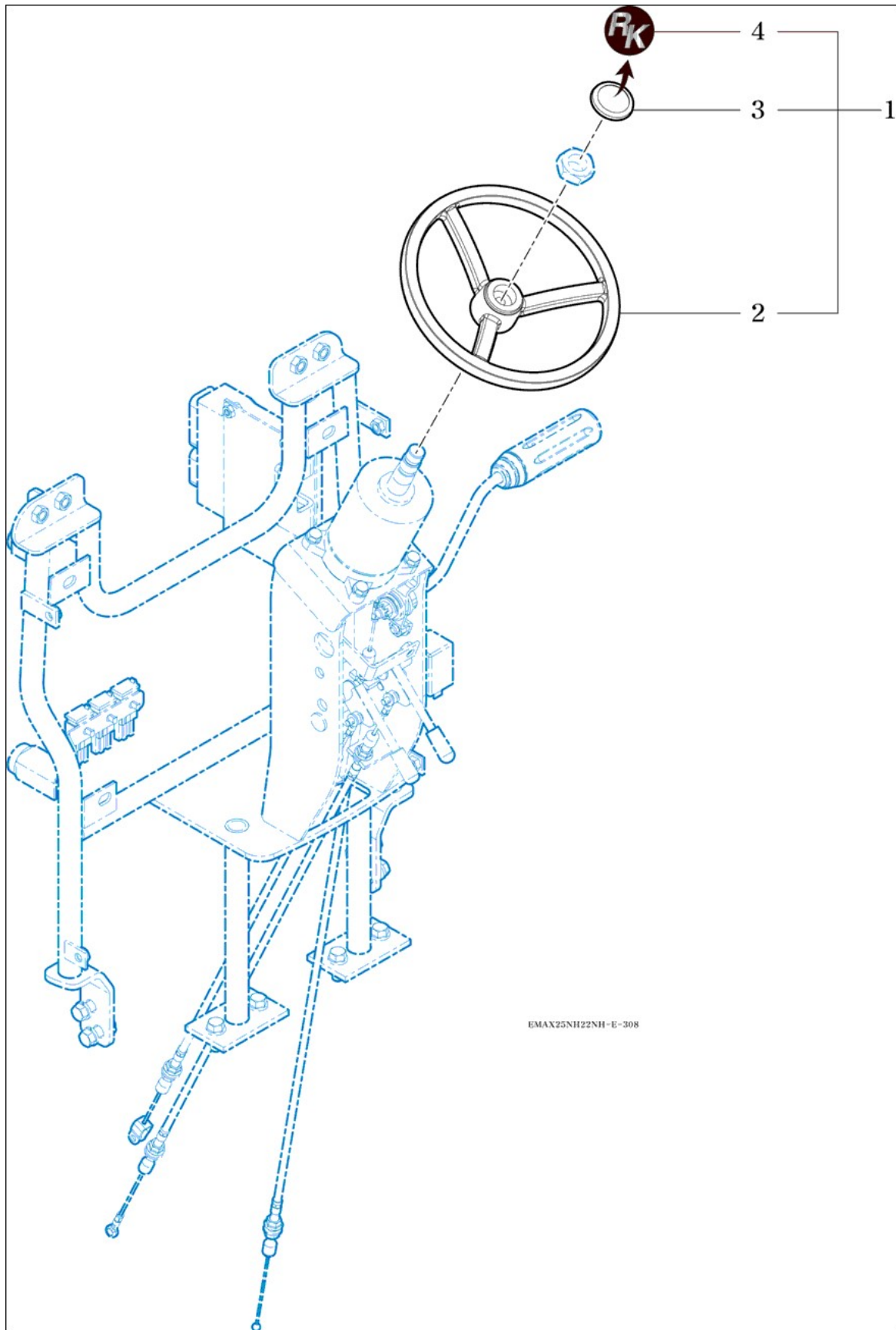
FIG 308

STEERING WHEEL

년/월  
Year/Month

2021-05

TC25NH



EMAX25NH22NH-E-308

NOTE



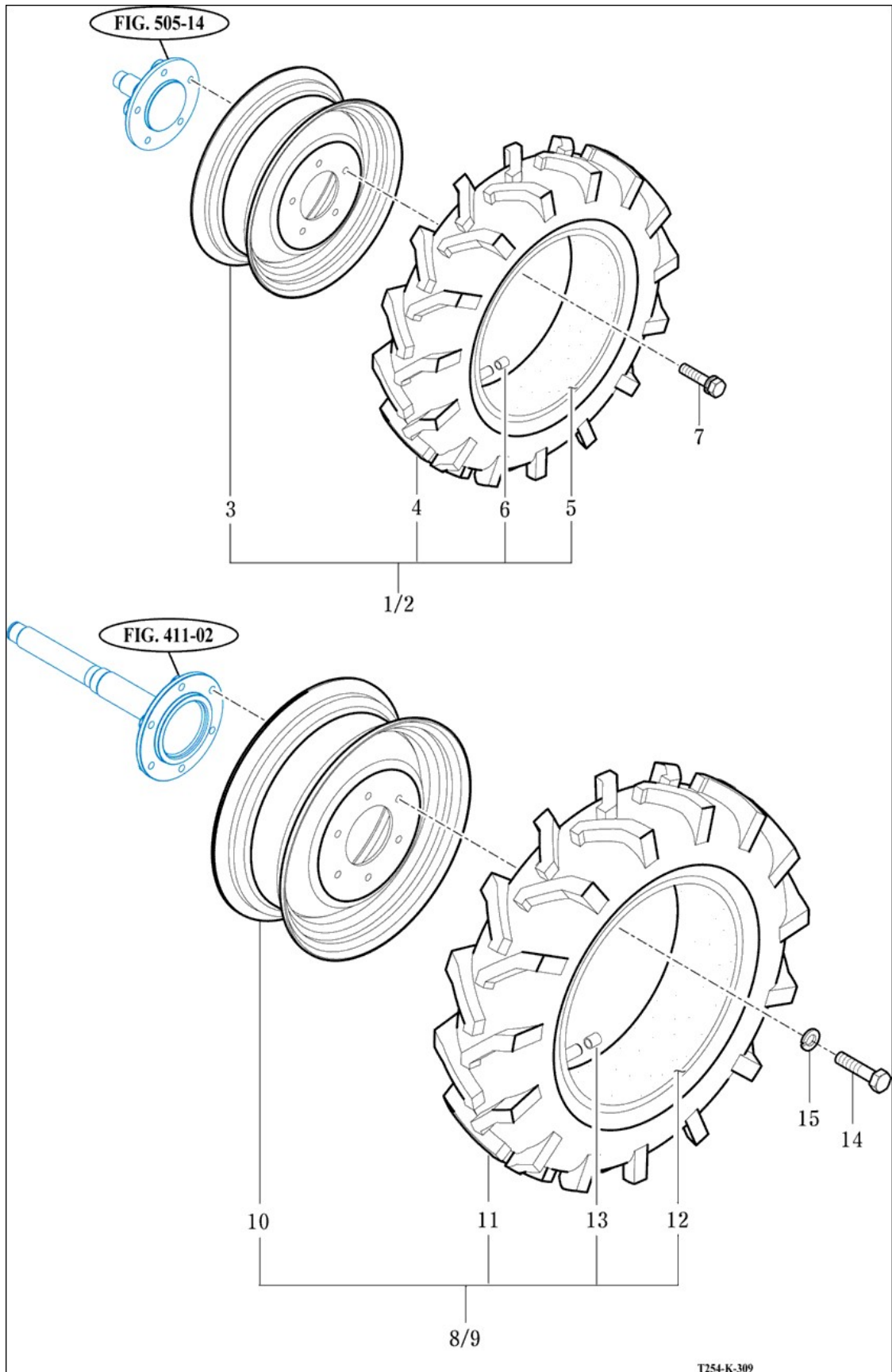
FIG 309

TIRE

년/월  
Year/Month

TC25NH

2021-05



T254-K-309

NOTE





#### 4. 트랜스미션 PART NO. T4

FIG 401 INPUT SHAFT	75
FIG 402 HST	77
FIG 403 INPUT GEAR	79
FIG 404 RANGE GEAR	81
FIG 405 4WD DRIVE GEAR	83
FIG 406 P.T.O DRIVE SHAFT	85
FIG 407 P.T.O SHAFT	87
FIG 408 MID P.T.O GEAR	89
FIG 409 DIFF LOCK	91
FIG 410 REAR TRANSMISSION CASE	93
FIG 411 REAR AXLE HOUSING	95
FIG 412 RANGE SHIFT LEVER	97
FIG 413 P.T.O CHANGE LEVER	99
FIG 414 4WD CHANGE LEVER	101
FIG 415 TRANSMISSION MOUNTING	103

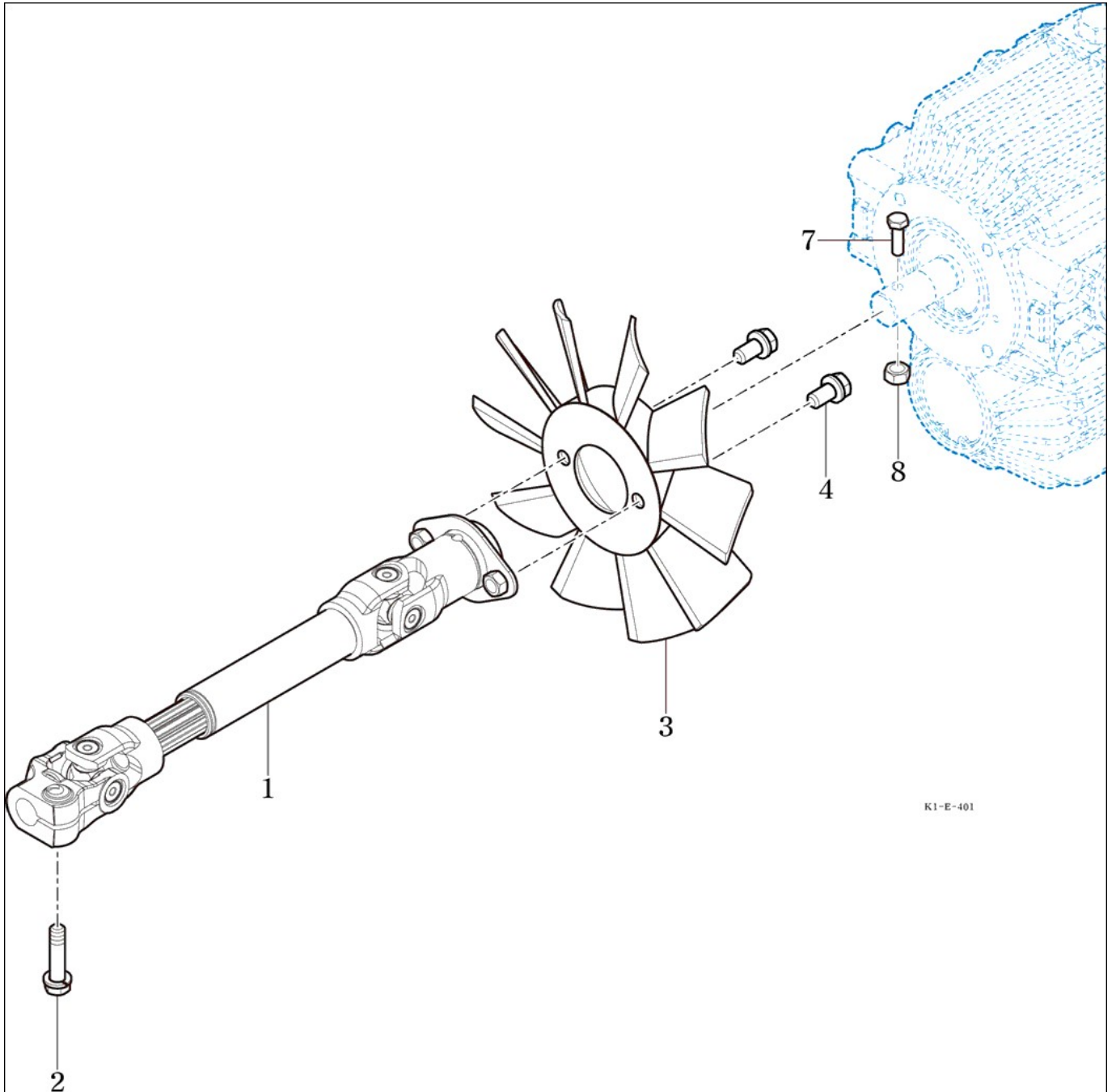
FIG 401

INPUT SHAFT

년/월  
Year/Month

TC25NH

2021-05



K1-E-401

NOTE



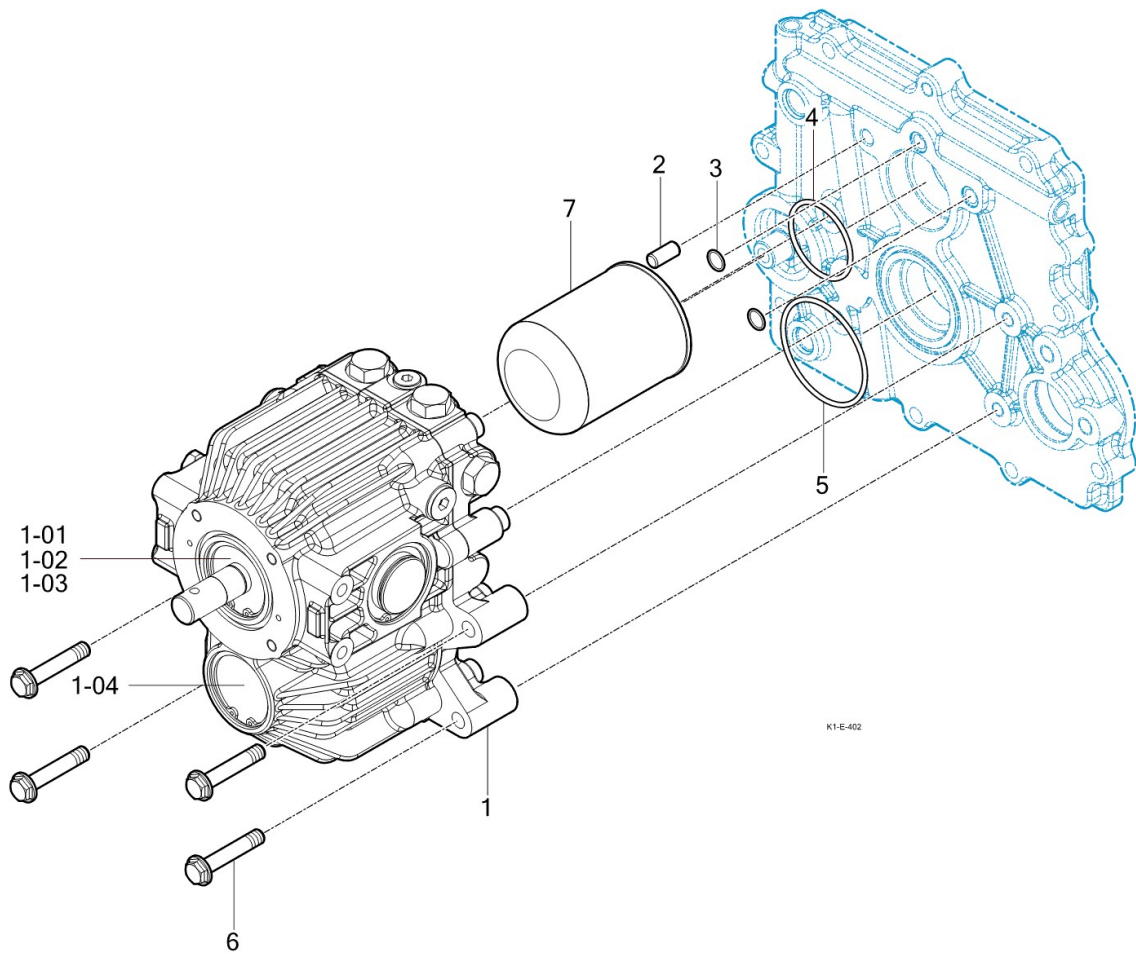
FIG 402

TC25NH

HST

년/월  
Year/Month

2021-05



NOTE



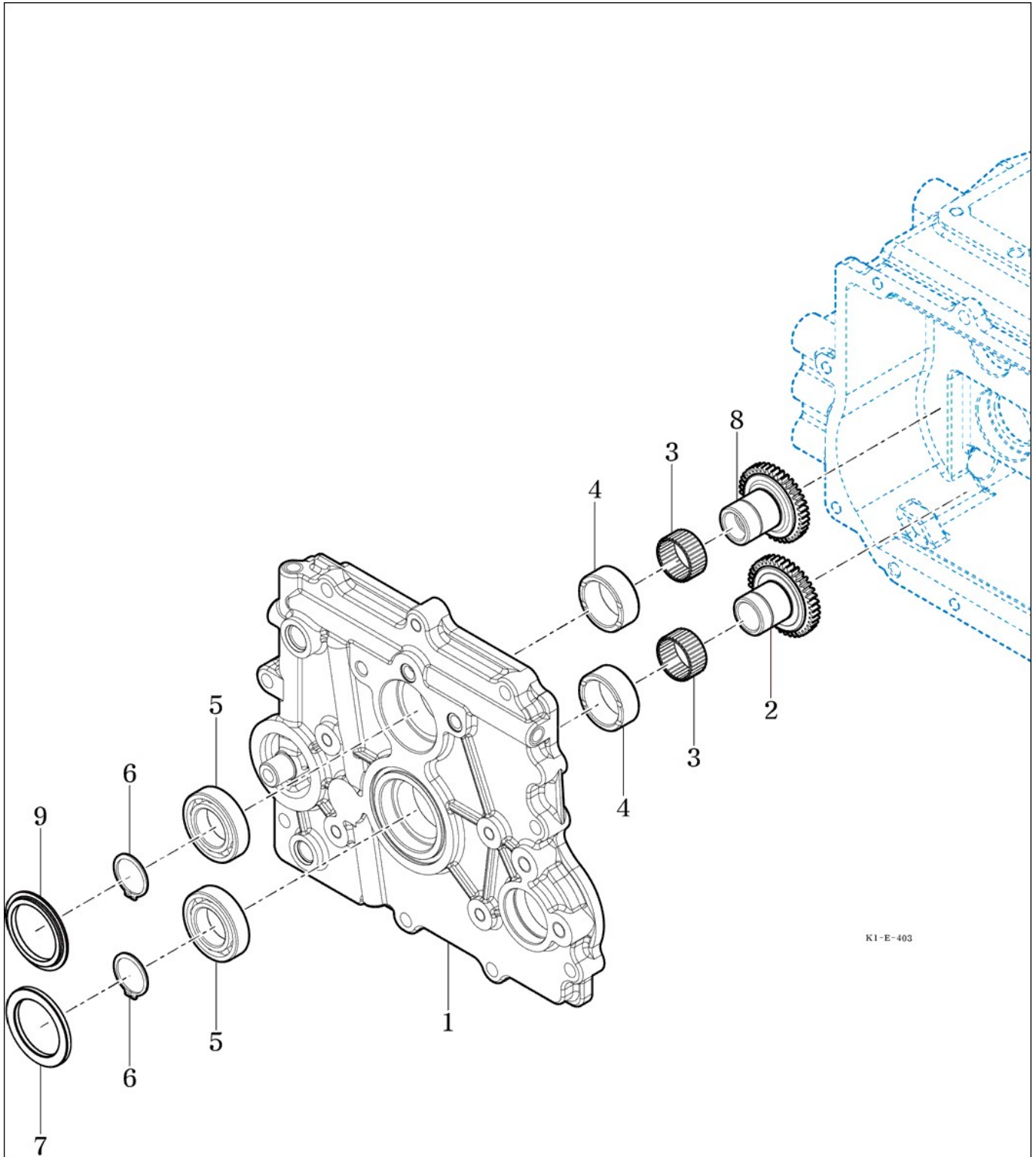
FIG 403

INPUT GEAR

년/월  
Year/Month

2021-05

TC25NH



NOTE





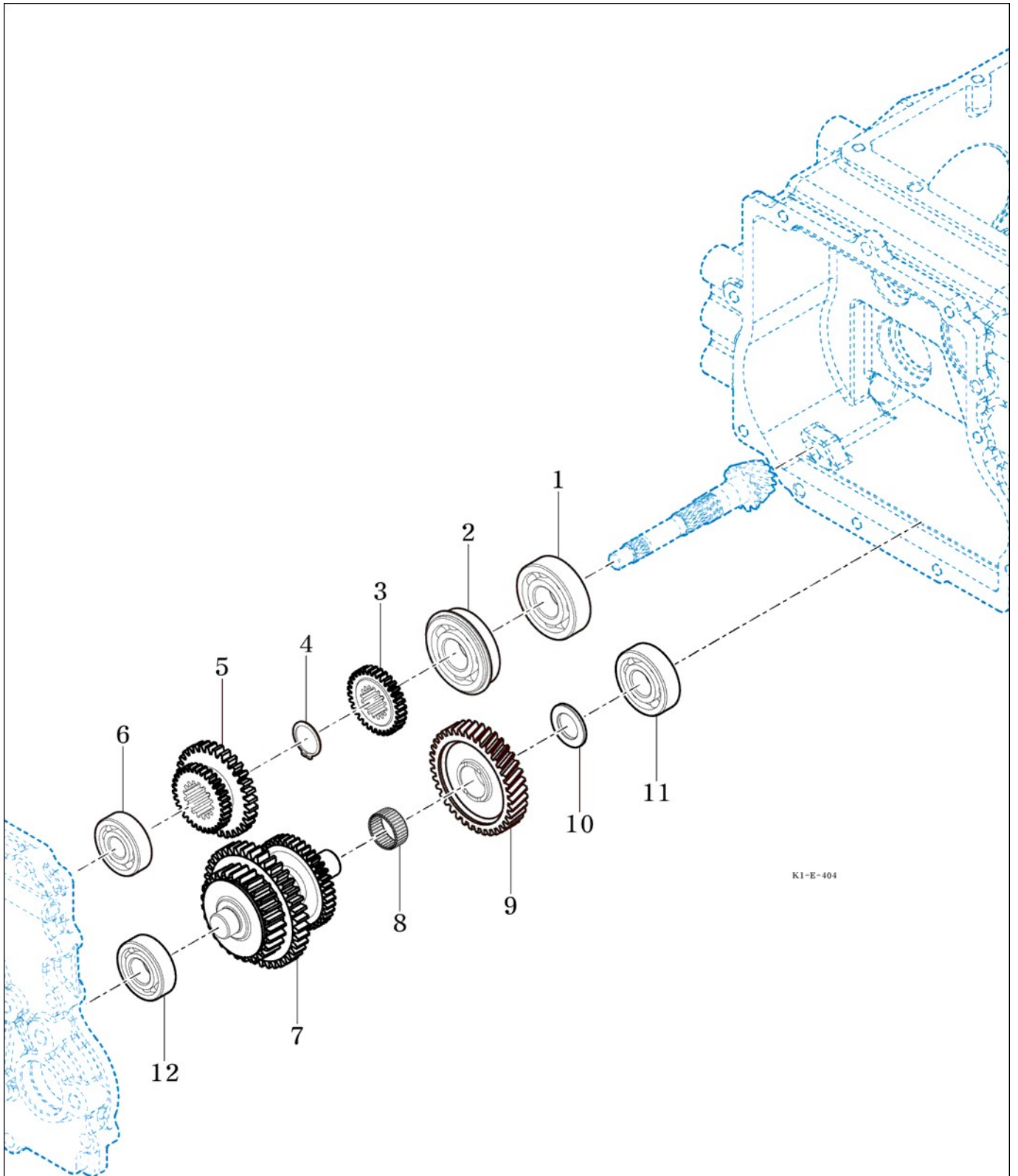
FIG 404

RANGE GEAR

년/월  
Year/Month

TC25NH

2021-05



K1-E-404

NOTE



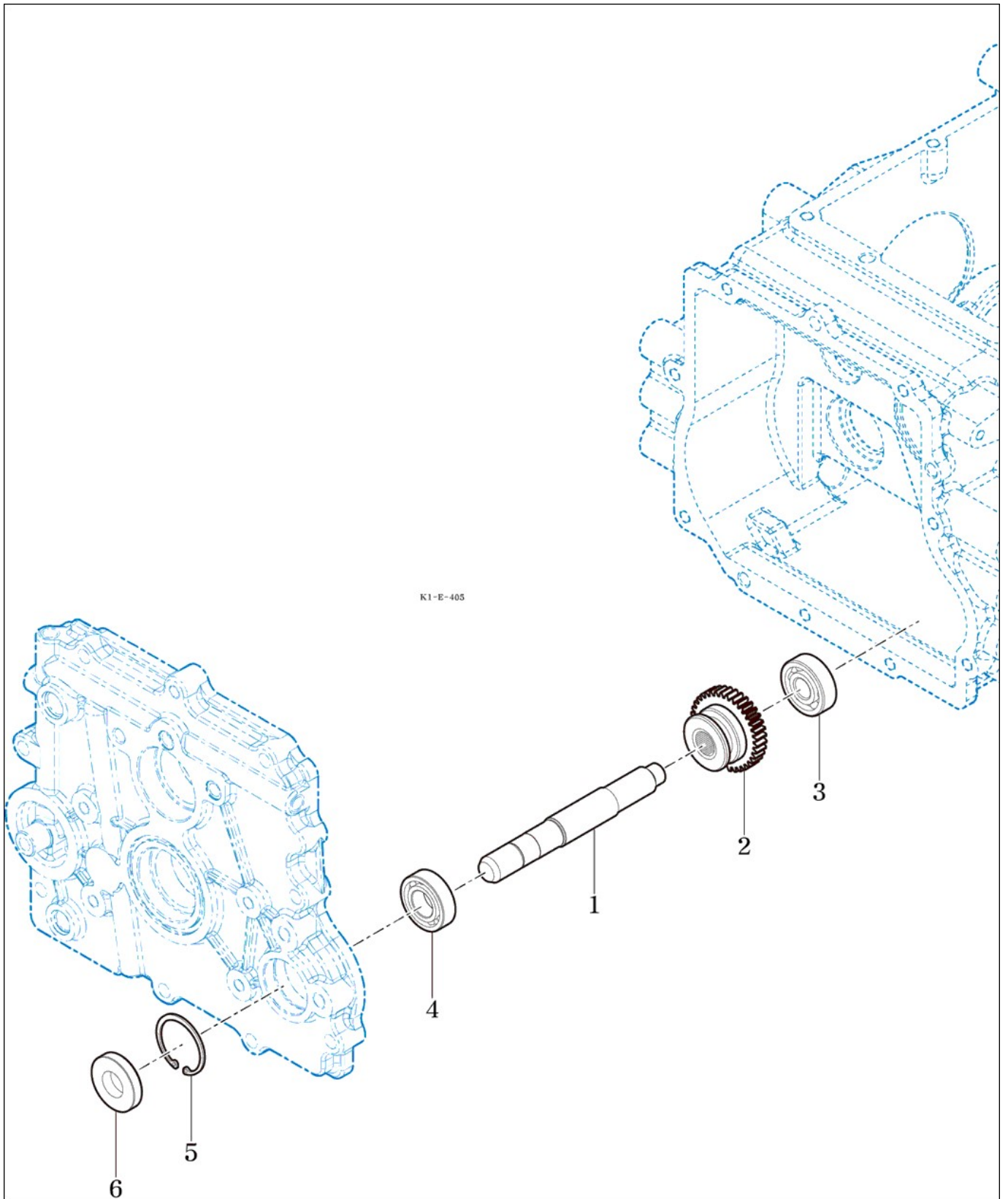
FIG 405

4WD DRIVE GEAR

년/월  
Year/Month

TC25NH

2021-05



NOTE

FIG 405		4WD DRIVE GEAR					년/월 Year/Month	
TC25NH		2021-05						
KEY NO	PART NO	DESCRIPTION	SPEC	QTY	REPAIR	EFFECTIVE DATE	REMARKS	
405	1	11102610010	4WD 샤프트	SHAFT , 4WD	0	1		
405	2	11102610020	4WD 기어(22)	GEAR , 4WD 22T	0	1		
405	3	V6001106302	볼베어링	BEARING , BALL	6302	1		
405	4	V6001106004	볼베어링	BEARING , BALL	6004	1		
405	5	V7051400420	C형 멈춤링(구멍용)	C-RING , HOLE	42	1		
405	6	V7441204208	오일실(D)	SEAL , OIL/D	0	1	C	
NOTE								

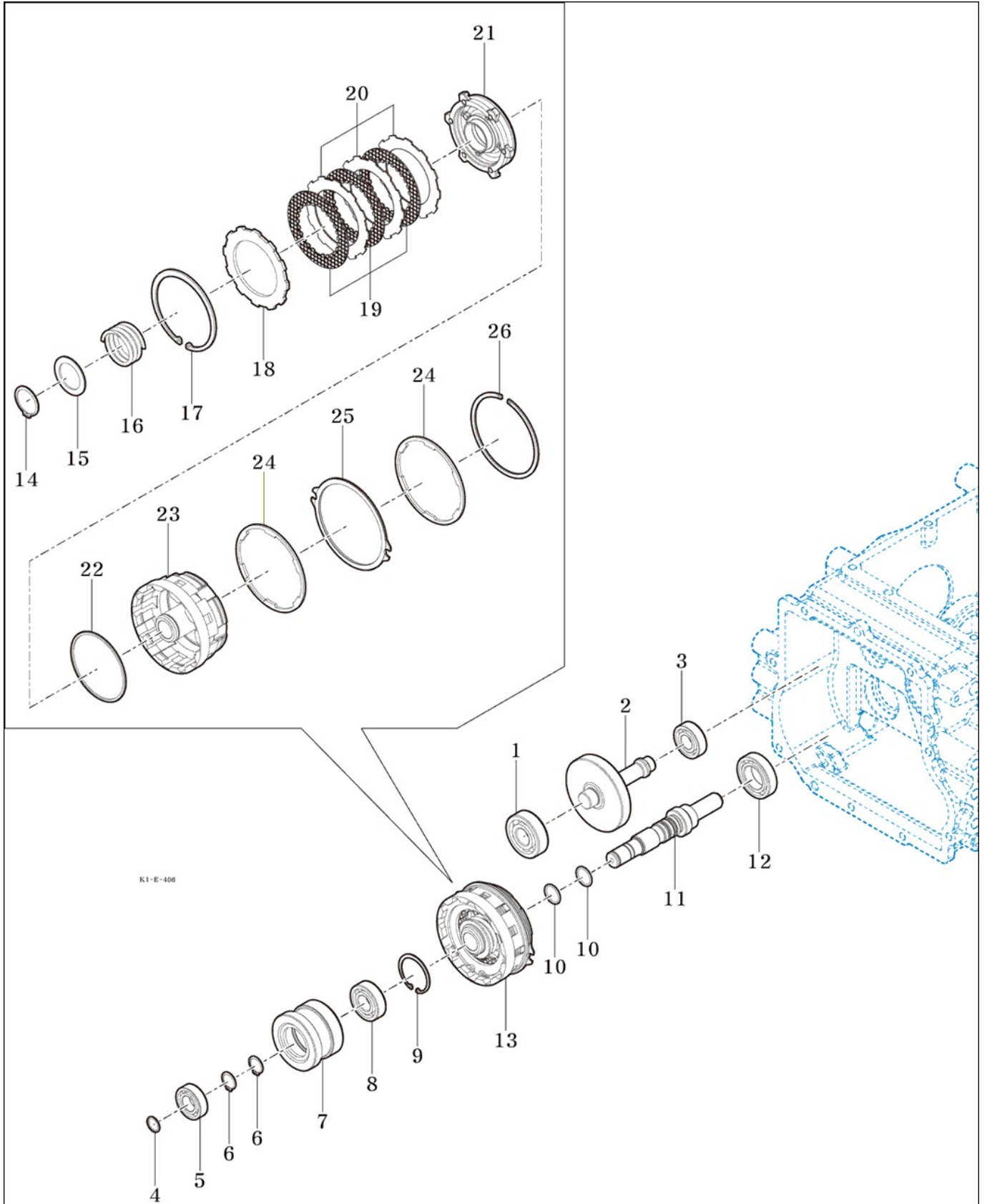
FIG 406

P.T.O DRIVE SHAFT

년/월  
Year/Month

TC25NH

2021-05



NOTE



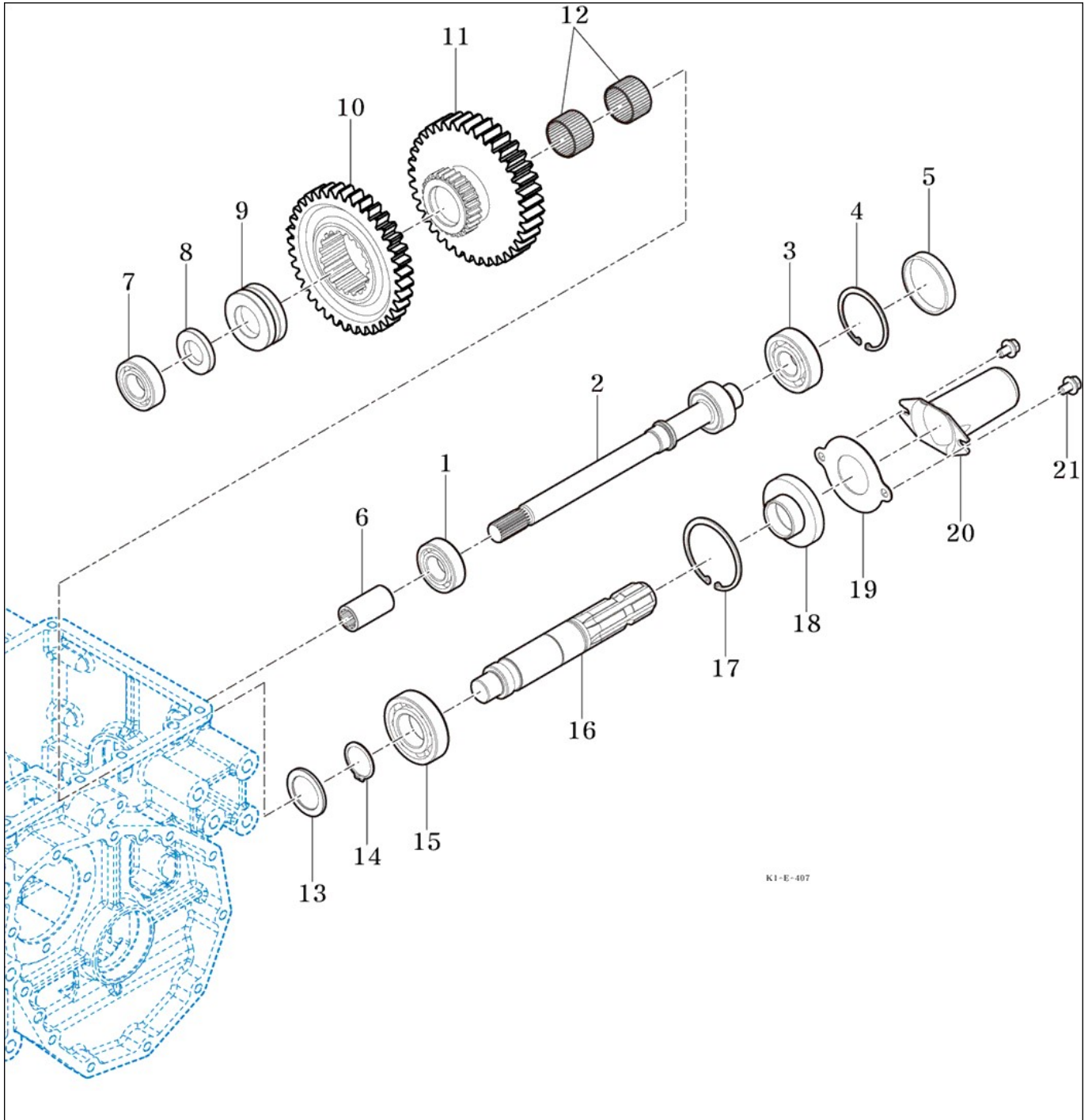
FIG 407

TC25NH

P.T.O SHAFT

년/월  
Year/Month

2021-05



NOTE





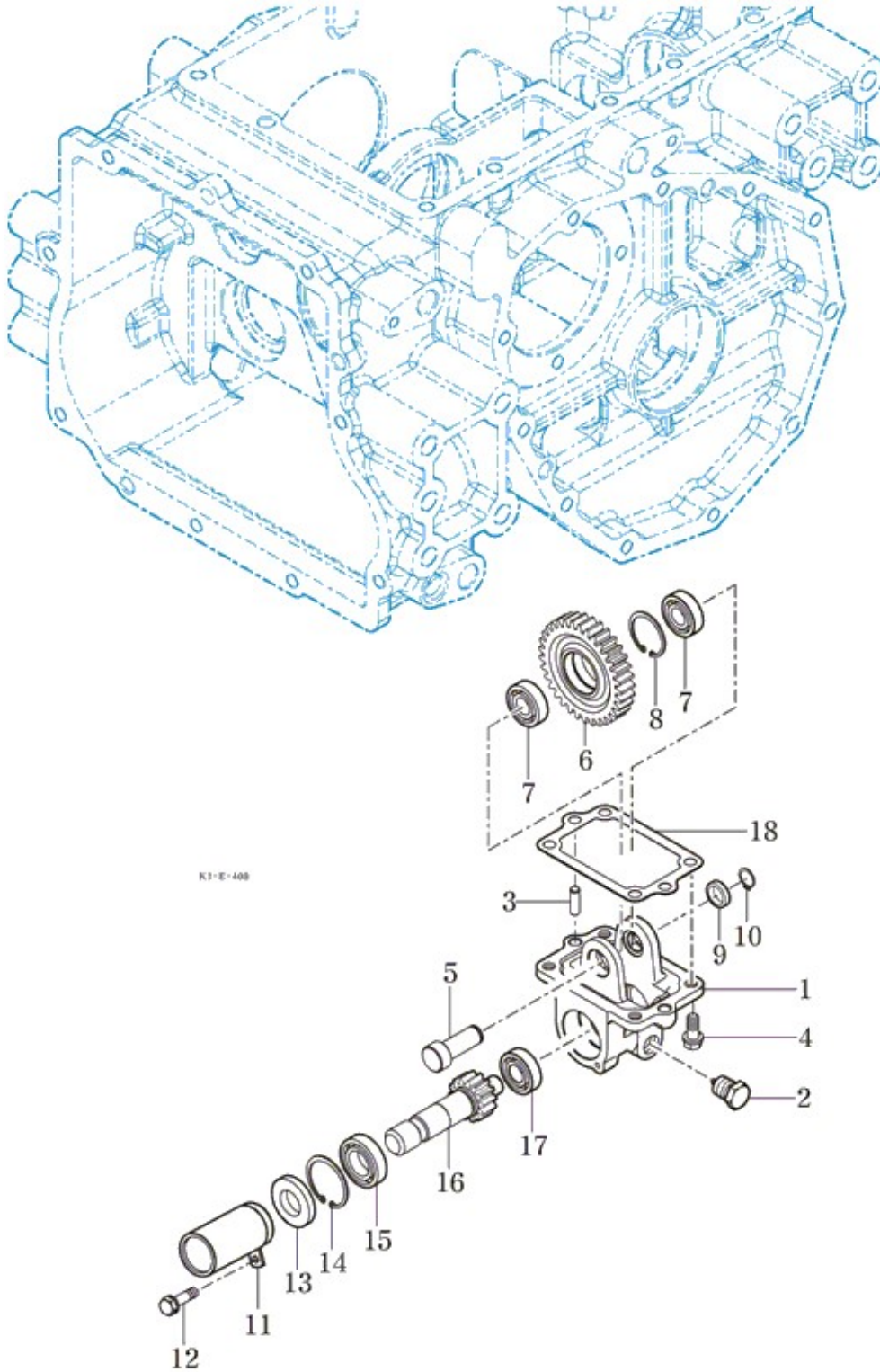
FIG 408

MID P.T.O GEAR

년/월  
Year/Month

TC25NH

2021-05



NOTE



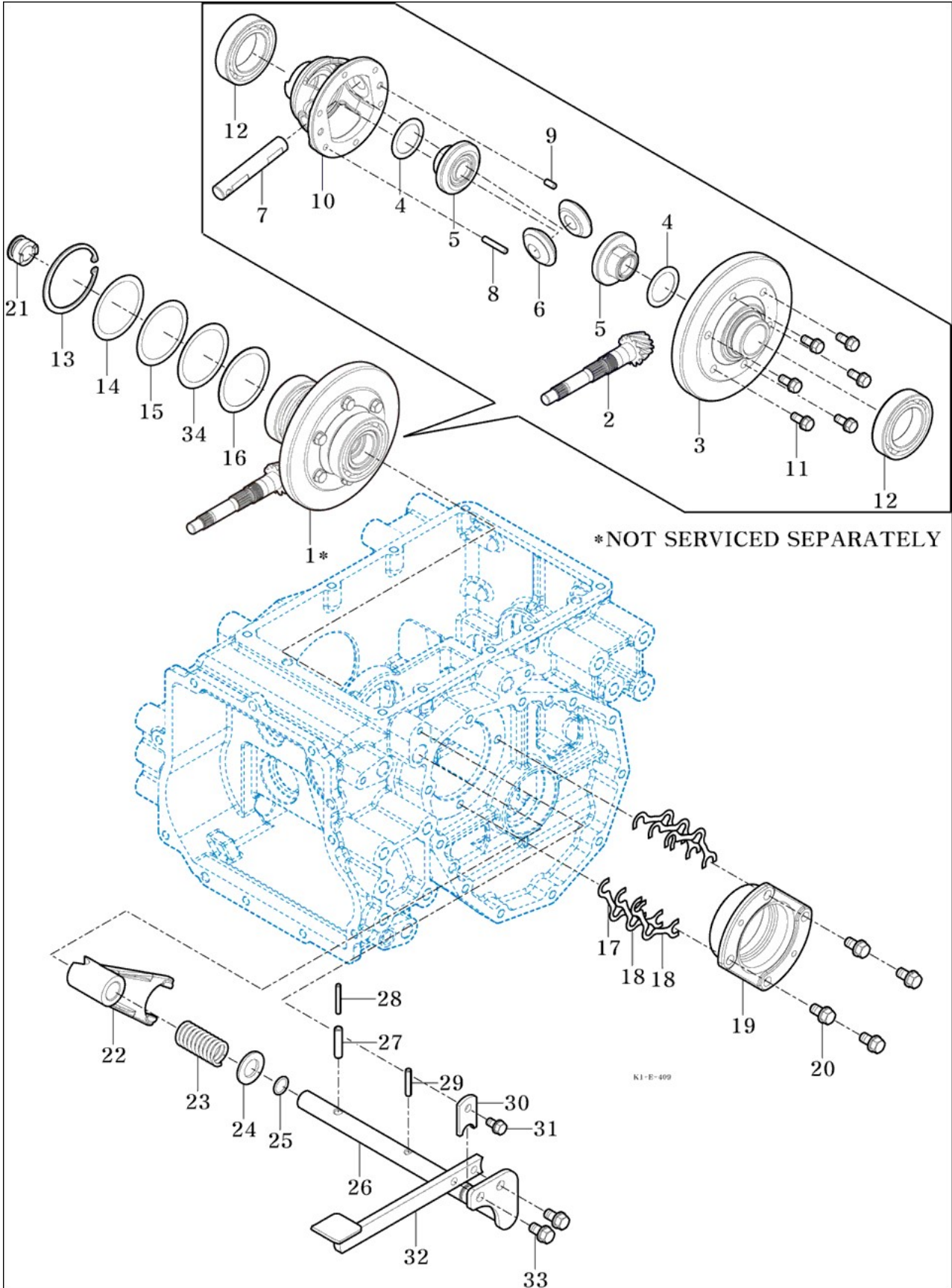
FIG 409

DIFF LOCK

년/월  
Year/Month

2021-05

TC25NH



NOTE

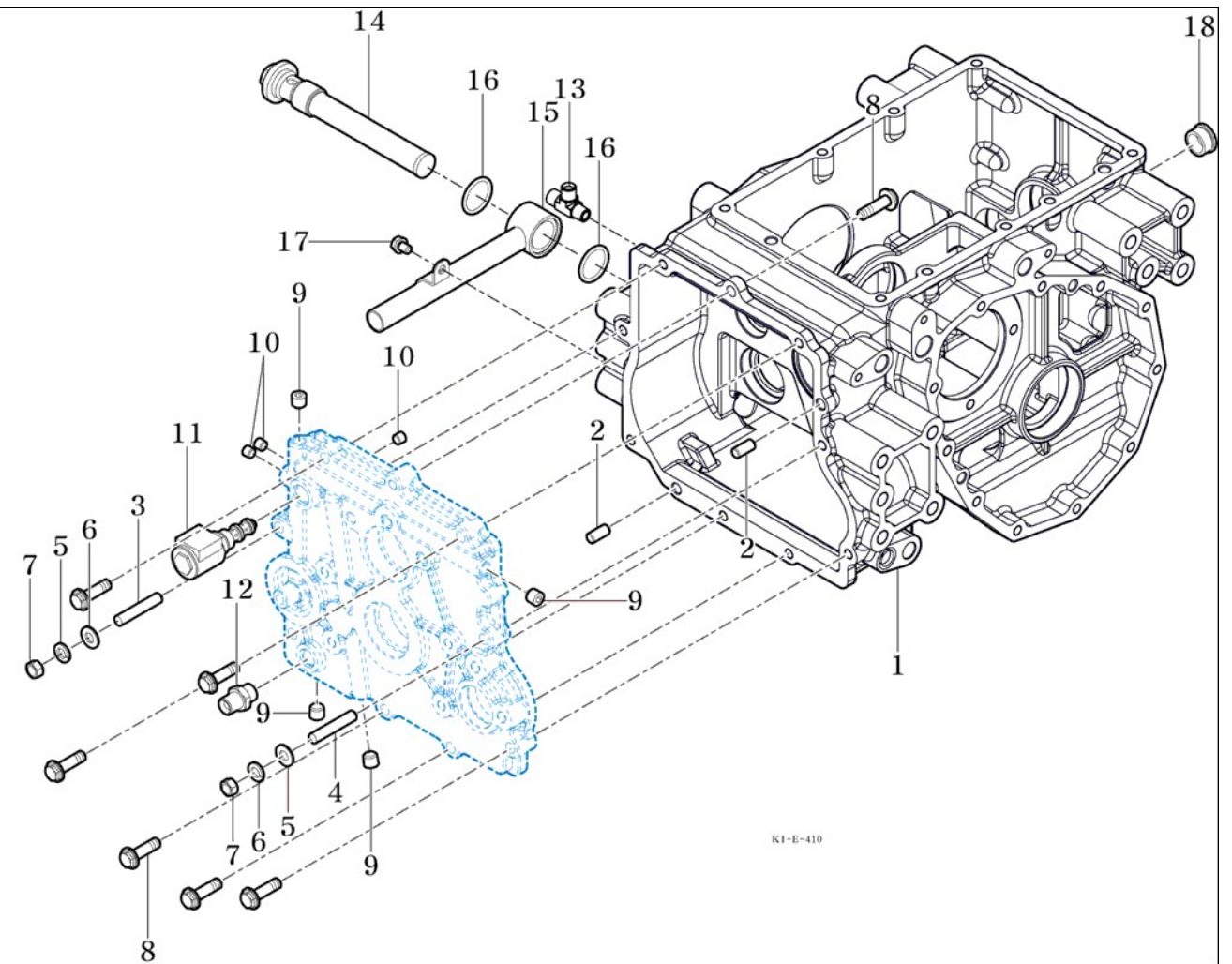


FIG 410

REAR TRANSMISSION CASE

년/월  
Year/Month

2021-05



NOTE

FIG 410	TC25NH	REAR TRANSMISSION CASE					년/월 Year/Month
							2021-05

KEY NO	PART NO	DESCRIPTION	SPEC	QTY	REPAIR	EFFECTIVE DATE	REMARKS
410	1	11102400011M	리어 TM 케이스	CASE , REAR TM	0	1	
410	2	V5201010018	평행핀(A)	PIN , PARALLEL/A	0	2	
410	3	V2514410050	스터드볼트2종	BOLT ,STUD/2	0	1	
410	4	V2514410050	스터드볼트2종	BOLT ,STUD/2	0	1	
410	5	V4111600100	평와셔	WASHER , PLAIN	0	2	
410	6	V4011600100	스프링와셔	WASHER , SPRING	0	2	
410	7	V3043600100	소형육각너트보통2종	NUT , HEX/2	0	2	
410	8	V2403610035	플랜지붙이육각볼트	BOLT , HEX FLANGE	0	7	
410	9	V7801000004	플러그(육각구멍테이퍼)	PLUG , HEX-SOCKET TAPE	0	4	
410	10	V7801000002	플러그(육각구멍테이퍼)	PLUG , HEX-SOCKET TAPE	0	3	
410	11	11102303200	PTO 솔밸브	SOL VALVE , PTO	0	1	
410	12	16994080072	유니온(SHORT)	UNION , SHORT	0	1	
410	13	11105405400	엘보우(T)	ELBOW , T	0	1	
410	14	11105152100	석션 스트레이너	STRAINER , SUCTION	0	1	C
410	15	11105153100	석션 파이프 COMP	PIPE COMP , SUCTION	0	1	
410	16	V7201035030	O링(P)	O-RING , P	0	2	
410	17	V2173608012	소형육각볼트보통(S)	BOLT , HEX/S	0	1	
410	18	11103062000	오일 점검게이지ASSY	GAUGE ASSY , OIL LEVEL	0	1	
NOTE							

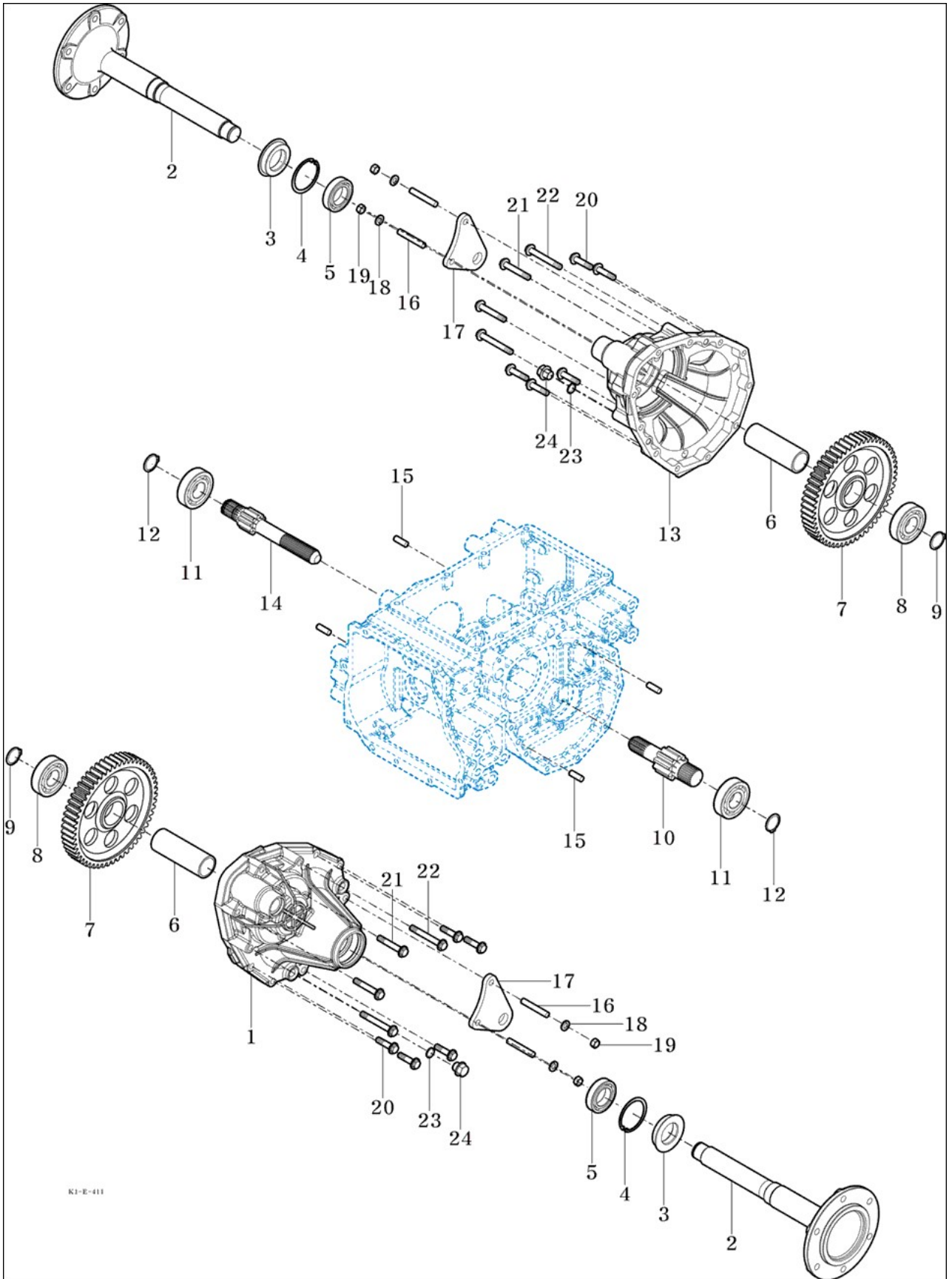
FIG 411

REAR AXLE HOUSING

년/월  
Year/Month

2021-05

TC25NH



NOTE





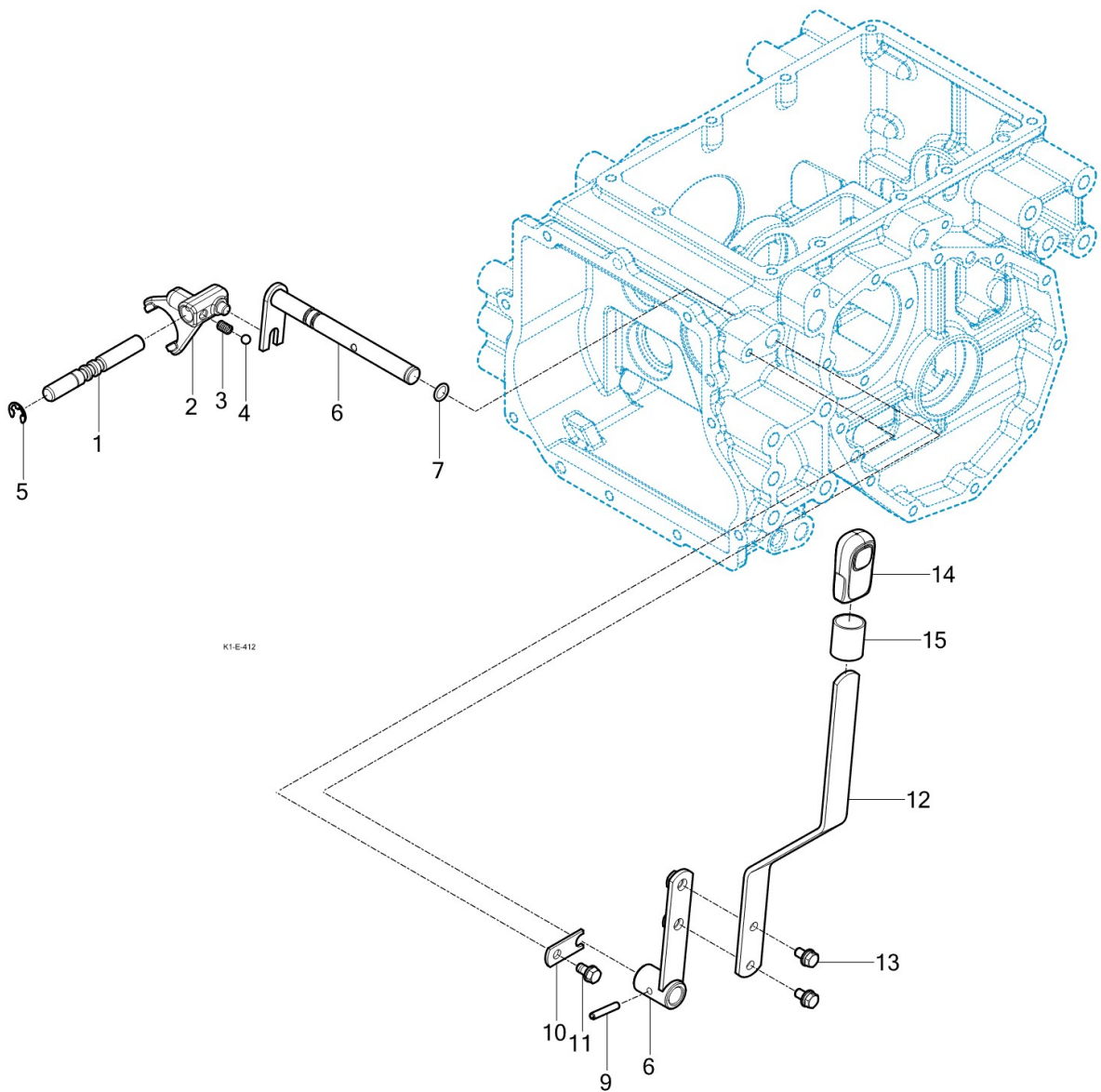
FIG 412

RANGE SHIFT LEVER

년/월  
Year/Month

2021-05

TC25NH



NOTE



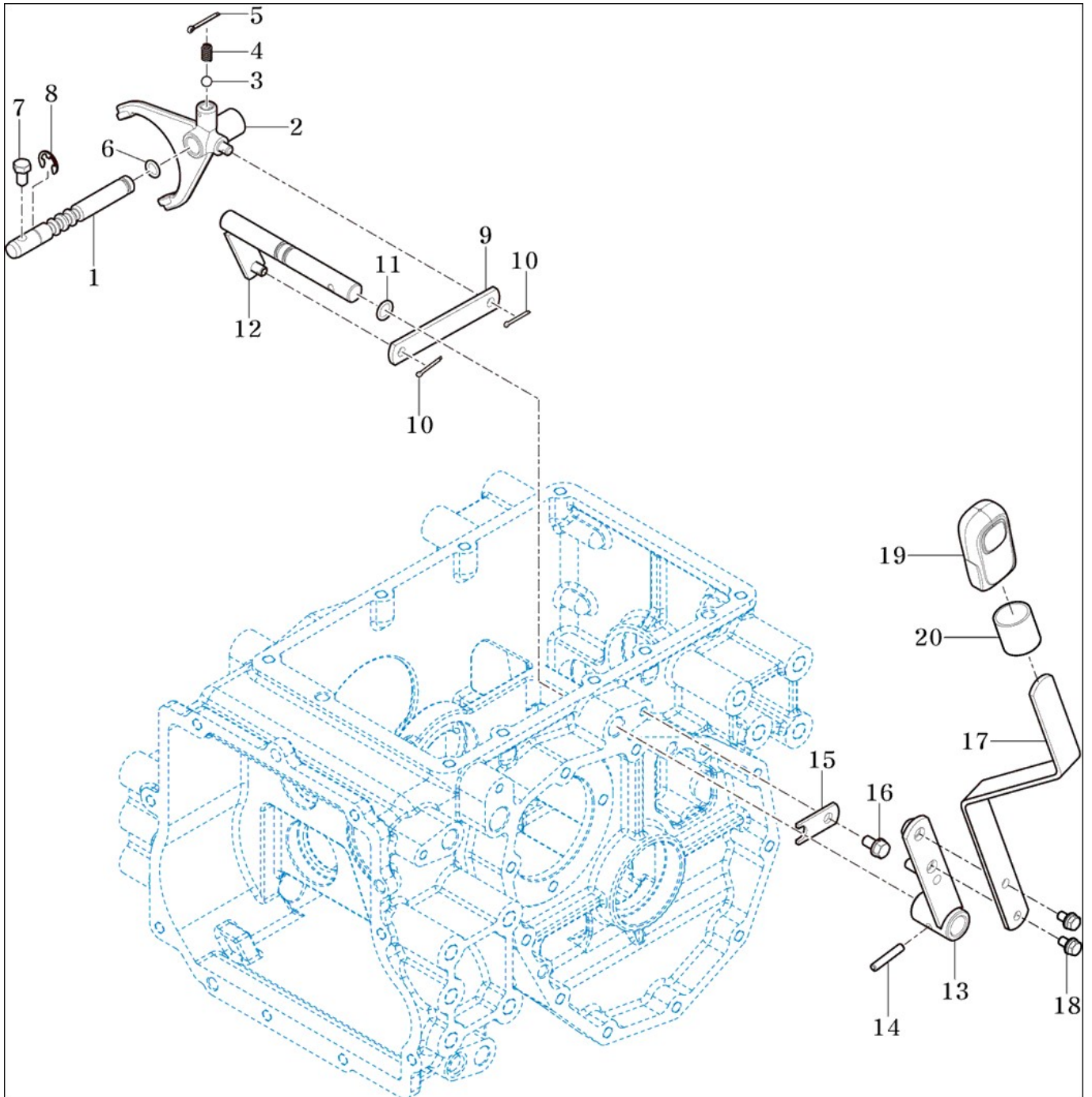
FIG 413

P.T.O CHANGE LEVER

년/월  
Year/Month

2021-05

TC25NH



NOTE



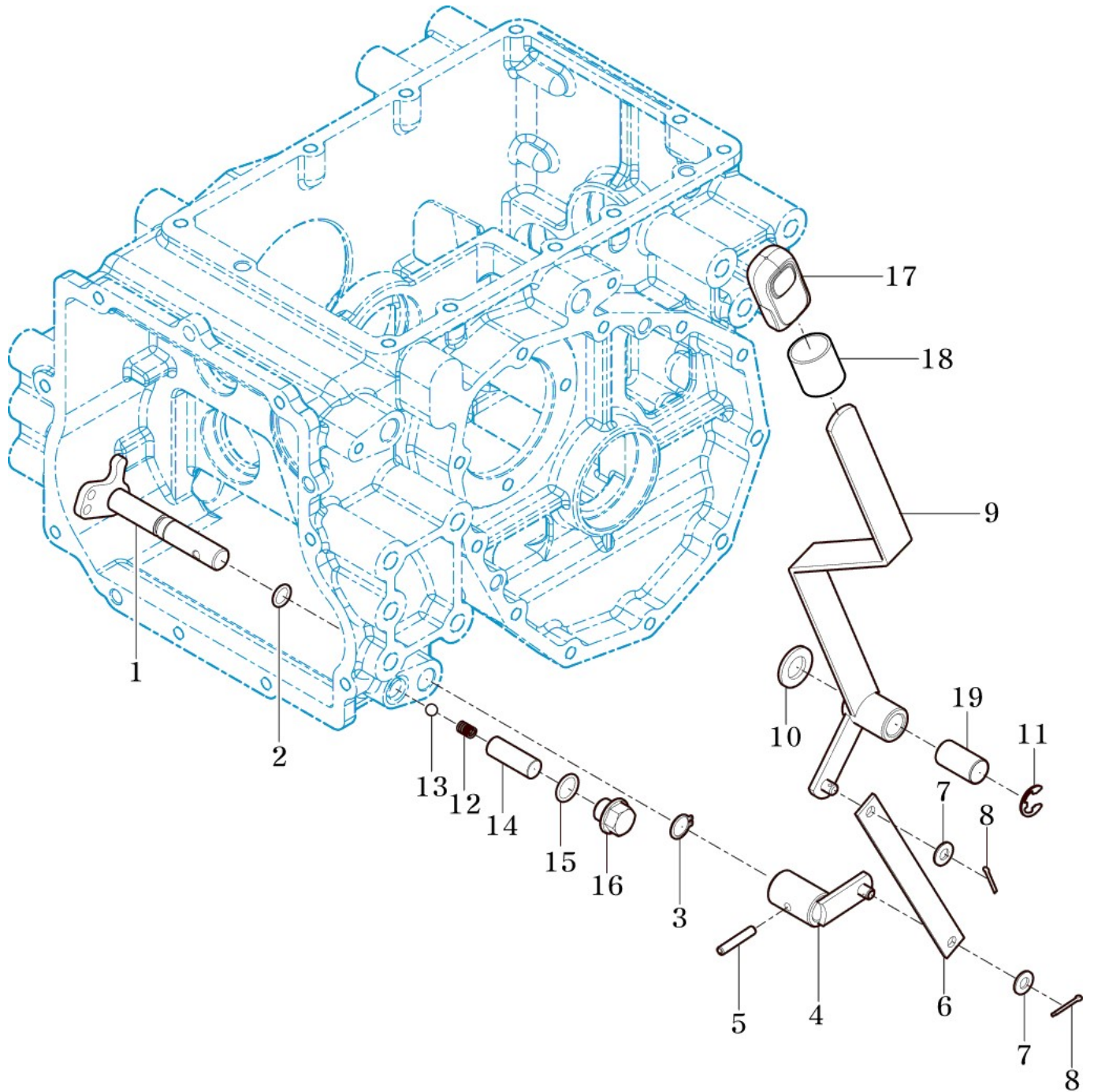
FIG 414

4WD CHANGE LEVER

년/월  
Year/Month

2021-05

TC25NH



NOTE



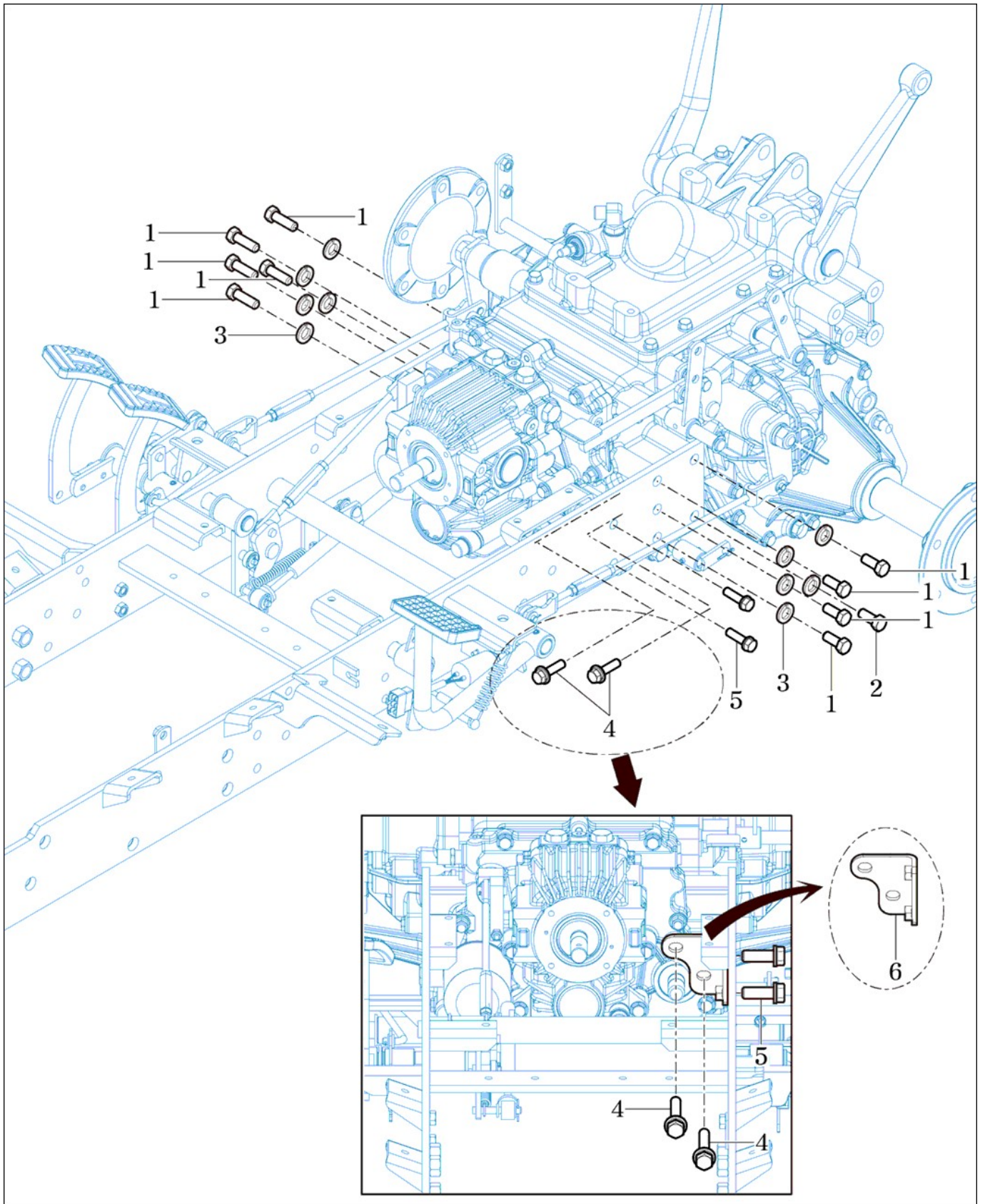
FIG 415

TRANSMISSION MOUNTING

년/월  
Year/Month

TC25NH

2021-05



NOTE





## 5. 프런트 액슬 PART NO. T5

FIG 501 FRONT DRIVE SHAFT	106
FIG 502 FRONT DIFFERENTIAL GEAR	108
FIG 503 FRONT AXLE HOUSING	110
FIG 504 FRONT GEAR CASE (1)	112
FIG 505 FRONT GEAR CASE (2)	114

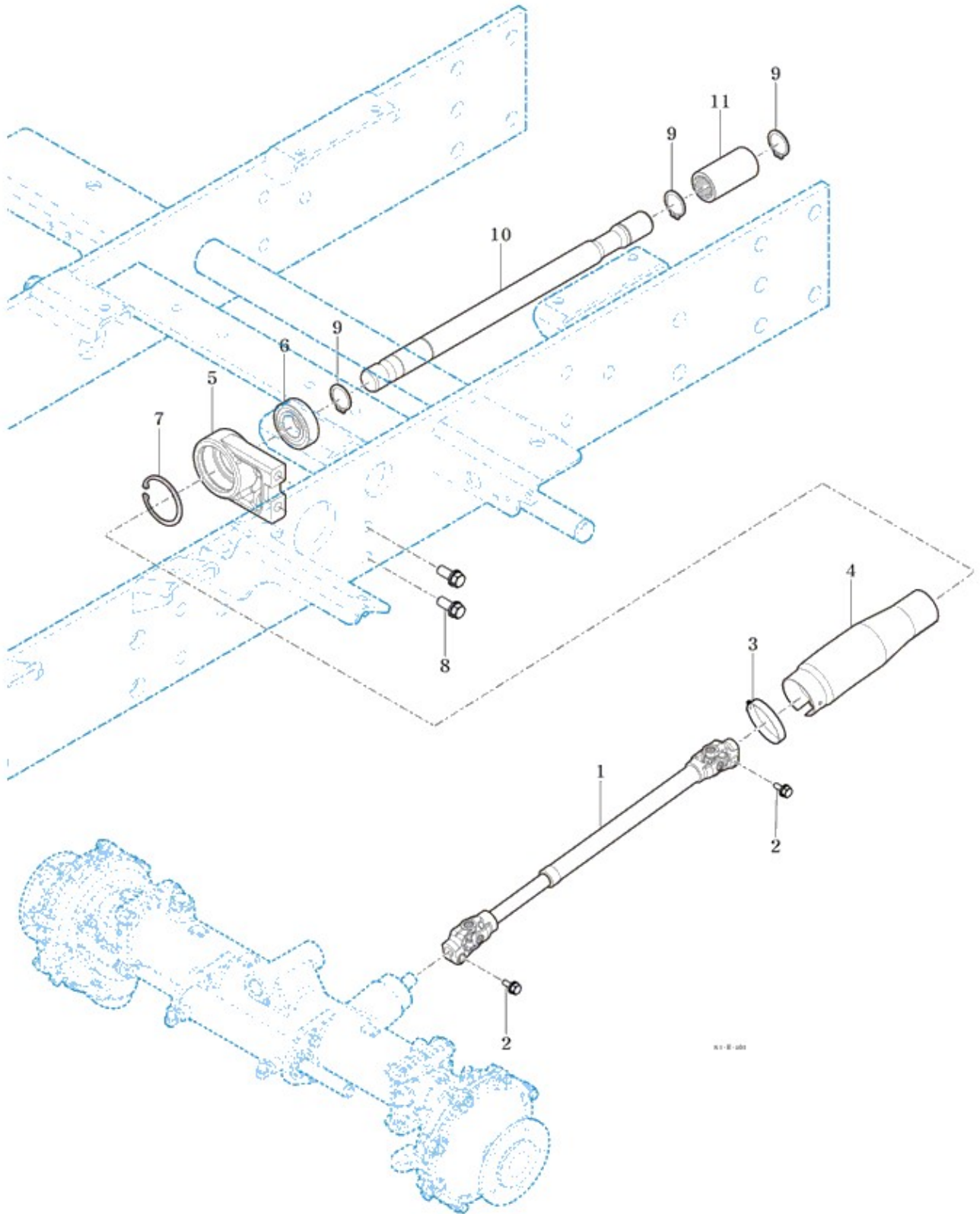
FIG 501

FRONT DRIVE SHAFT

년/월  
Year/Month

2021-05

TC25NH



NOTE



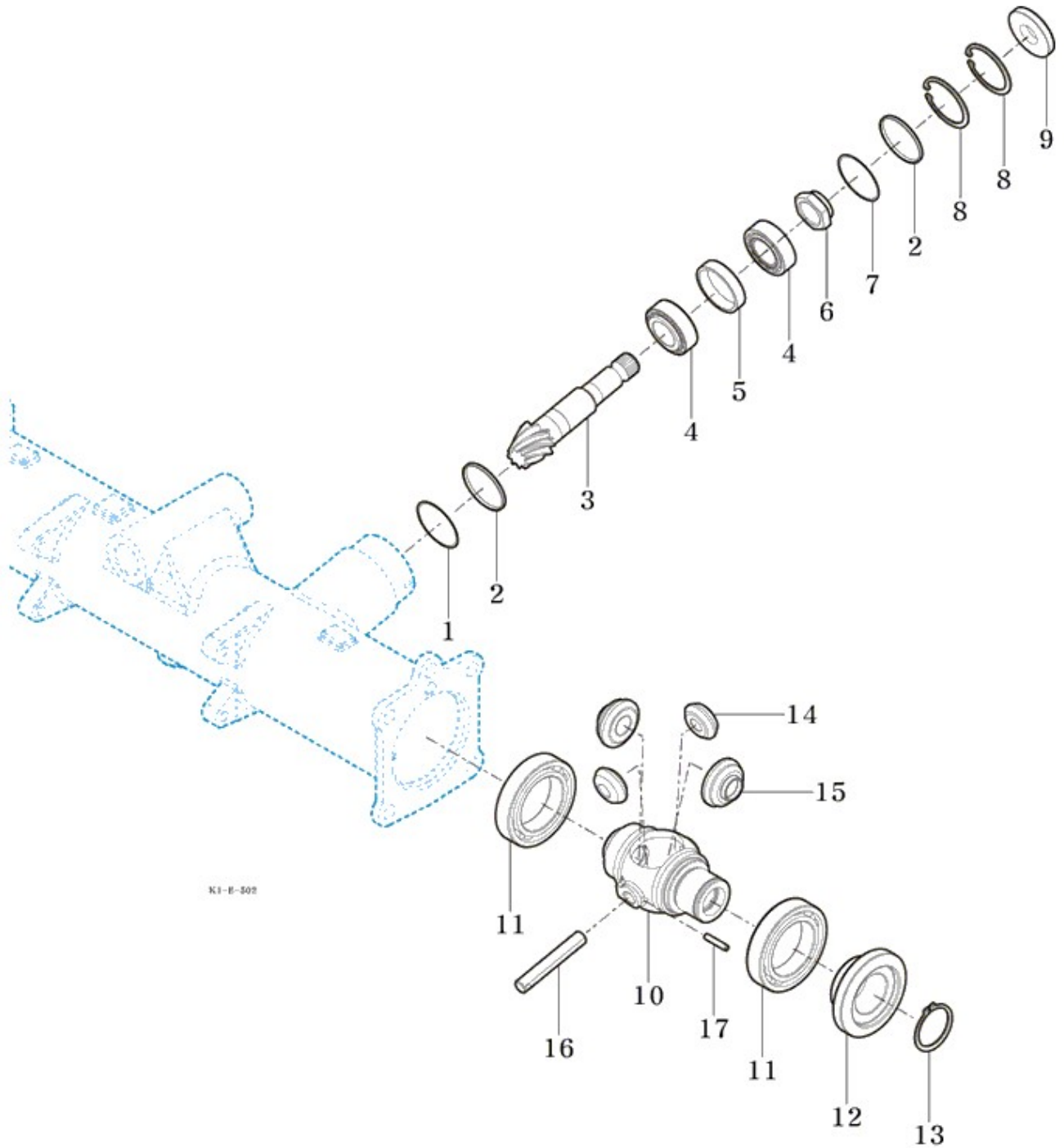
FIG 502

FRONT DIFFERENTIAL GEAR

년/월  
Year/Month

2021-05

TC25NH



NOTE



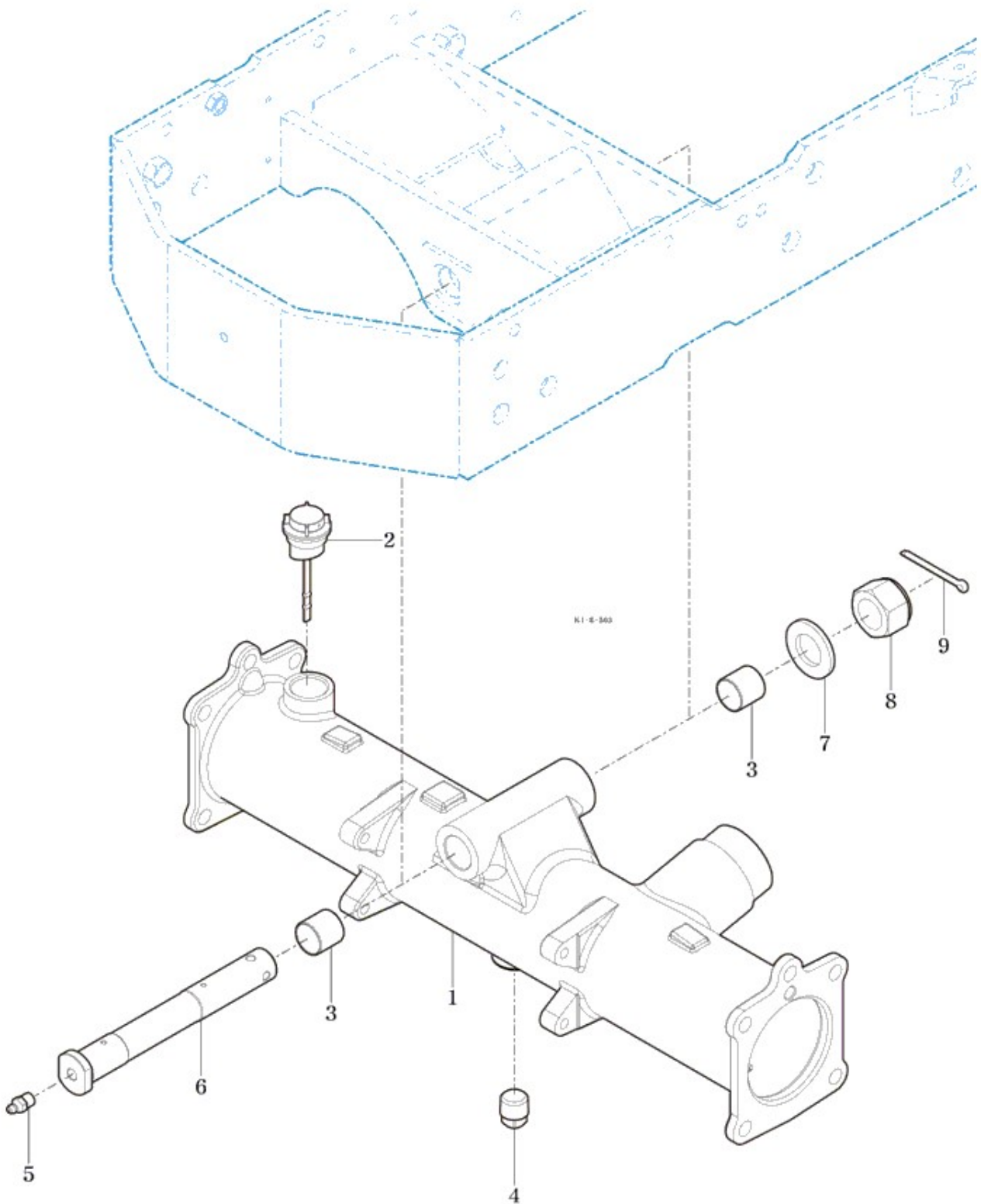
FIG 503

FRONT AXLE HOUSING

년/월  
Year/Month

TC25NH

2021-05



NOTE

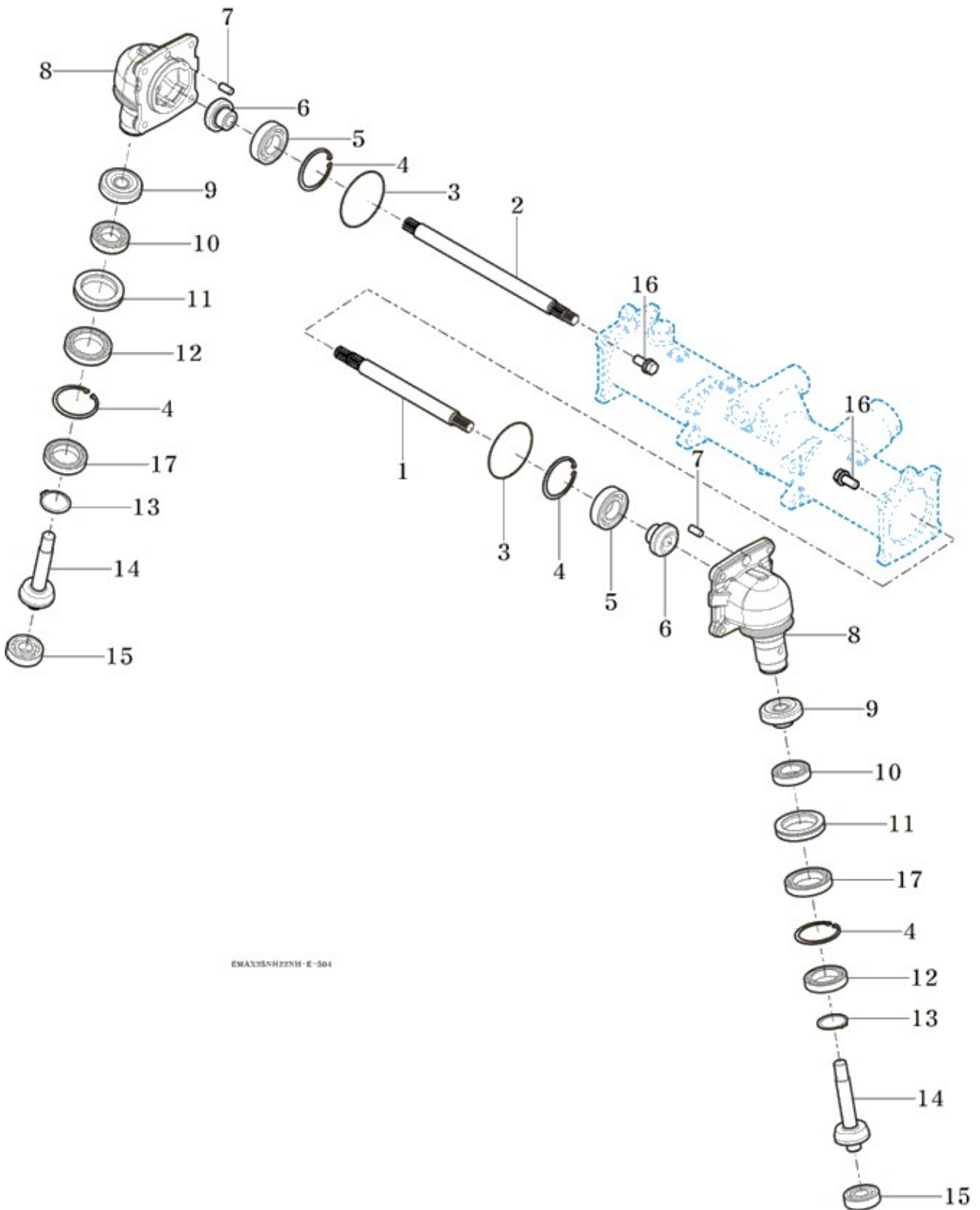
FIG 503		FRONT AXLE HOUSING						년/월 Year/Month
TC25NH								2021-05
KEY NO	PART NO	DESCRIPTION	SPEC	QTY	REPAIR	EFFECTIVE DATE	REMARKS	
503	1	11104120010M	프론트 액슬 하우징	AXLE HOUSING ,FR	0	1		
503	2	11104125100	오일캡 ASSY	CAP ASSY , OIL	0	1		
503	3	11104120030	부시(24X27X25)	BUSH , 24X27X25	0	2		
503	4	V7811600008	플러그(사각테이퍼)	PLUG, SQUARE TAPE	0	1		
503	5	V7611500000	그리스니플(A-PT)	NIPPLE , GREASE/A-PT	0	1		
503	6	11104072111	핀	PIN	0	1		
503	7	V4111600240	평와셔	WASHER , PLAIN	0	1		
503	8	11104072120	나일론너트 , M24XP2.0	NYLON NUT , M24XP2.0	0	1		
503	9	V5001950050	분할핀	PIN , SPLIT	0	1		
NOTE								

FIG 504

FRONT GEAR CASE (1)

년/월  
Year/Month

2021-05



EMAX25NH225H-E-504

NOTE





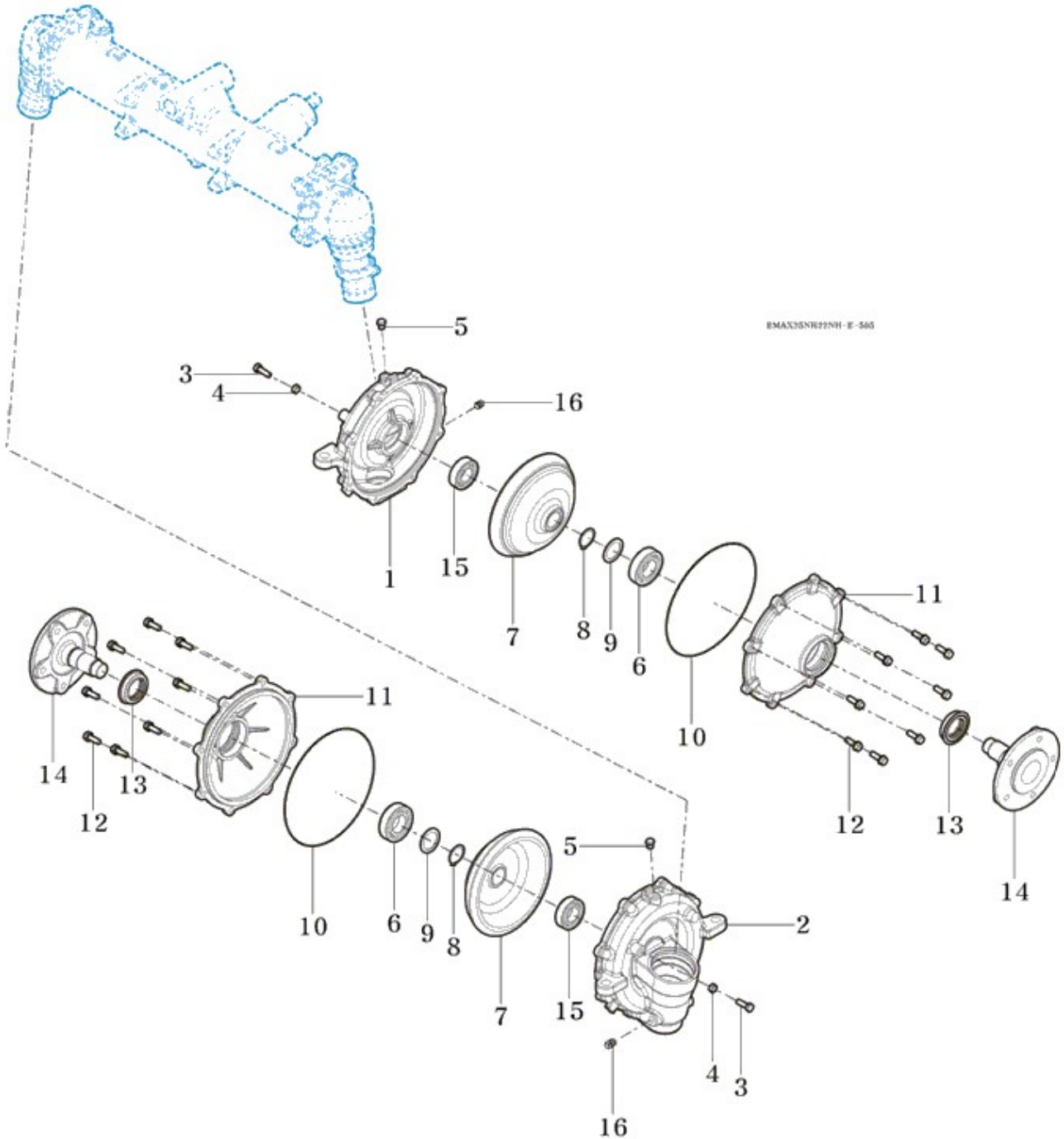
FIG 505

FRONT GEAR CASE (2)

년/월  
Year/Month

2021-05

TC25NH



NOTE



## 6. 유압/3점링크 PART NO. T6

FIG 601 CYLINDER CASE	117
FIG 602 LIFT ARM	119
FIG 603 FLOW CONTROL VALVE	121
FIG 604 MAIN CONTROL VALVE	123
FIG 605 HYDRAULIC SUB	125
FIG 606 HITCH & 3-POINT LINKAGE	127
FIG 607 HITCH & COVER	129

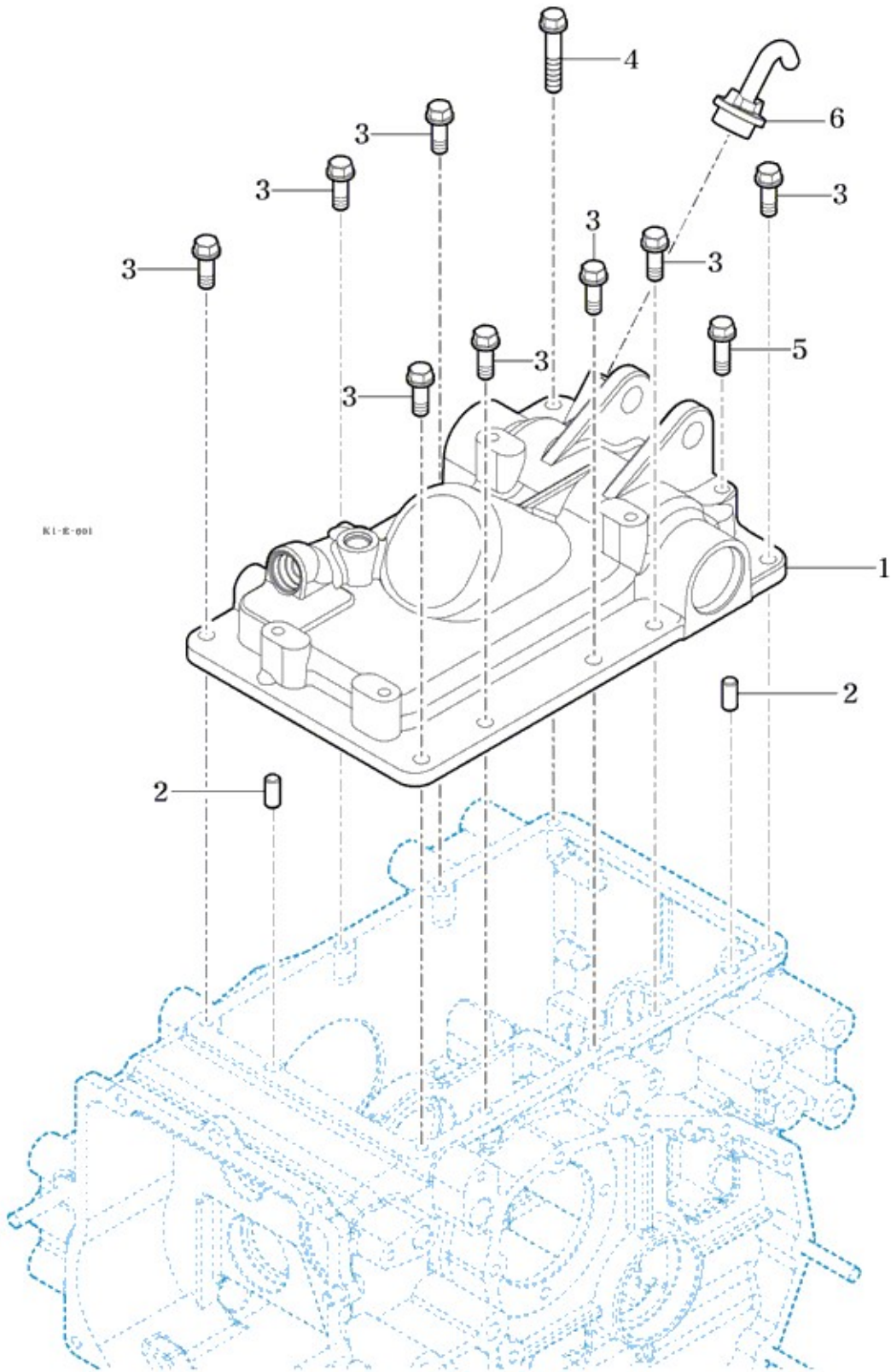
FIG 601

CYLINDER CASE

년/월  
Year/Month

2021-05

TC25NH



NOTE



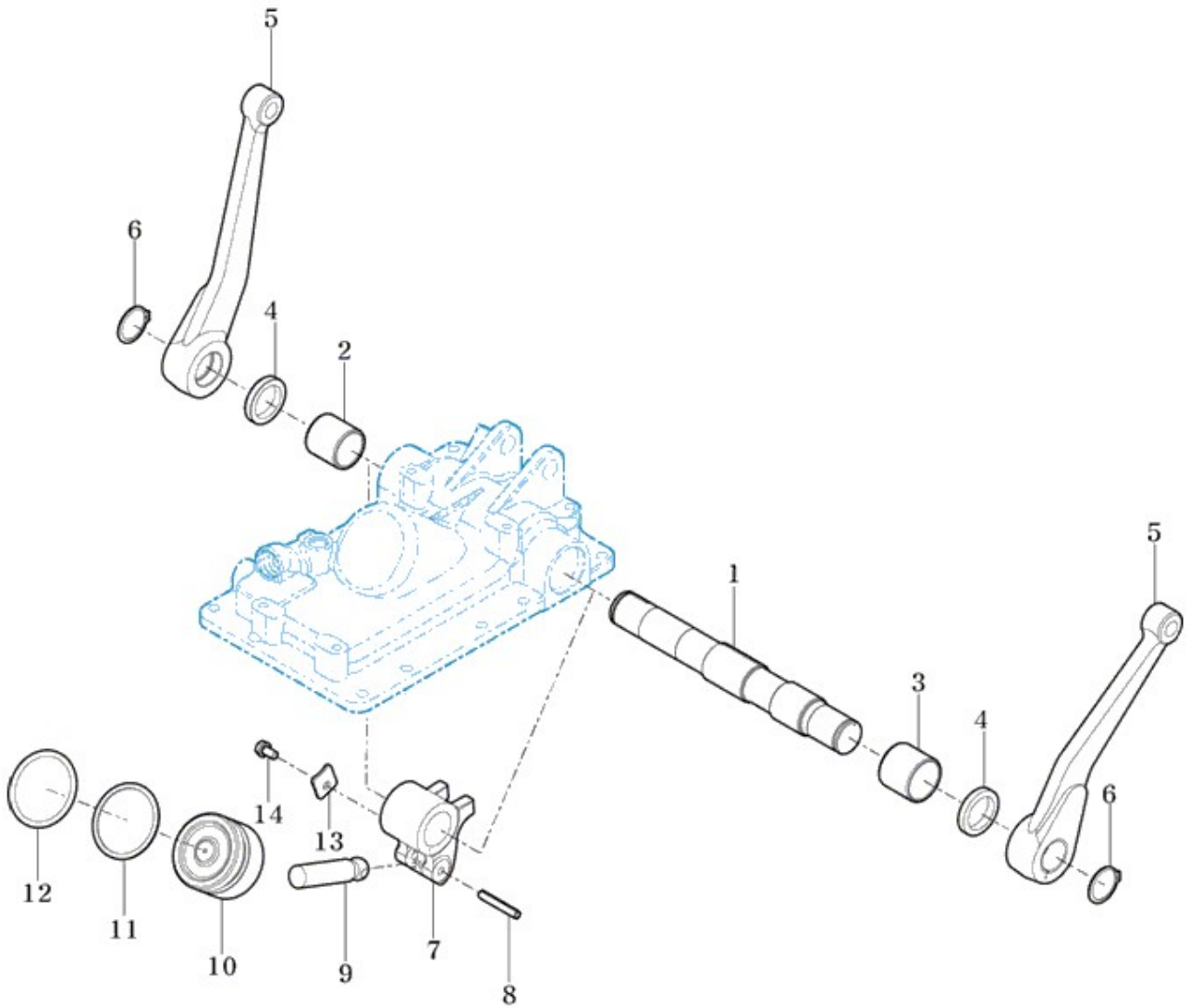
FIG 602

LIFT ARM

년/월  
Year/Month

2021-05

TC25NH



NOTE





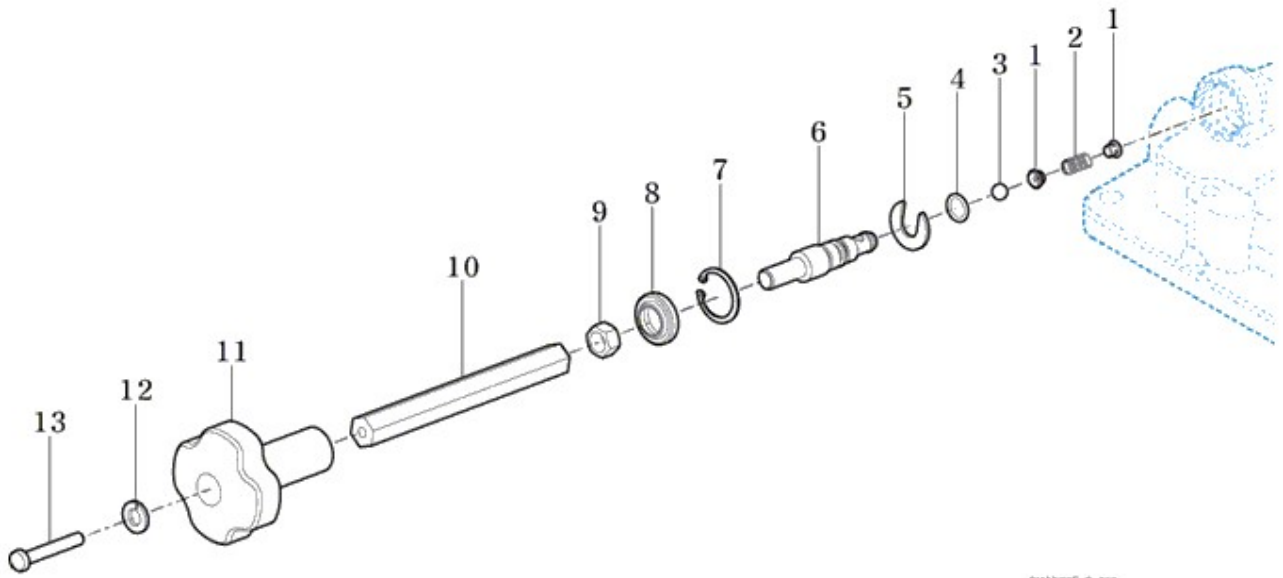
FIG 603

TC25NH

FLOW CONTROL VALVE

년/월  
Year/Month

2021-05



EMAX79C-E-603

NOTE

<p>FIG 603</p> <p>TC25NH</p>		<p>FLOW CONTROL VALVE</p>					<p>년/월 Year/Month</p>	
							<p>2021-05</p>	

KEY NO	PART NO	DESCRIPTION	SPEC	QTY	REPAIR	EFFECTIVE DATE	REMARKS
603	1	11105030120	스프링 가이드	GUIDE , SPRING	0	2	
603	2	11105030130	스프링(15)	SPRING , 17	0	1	
603	3	11105030140	강구	BALL , STEEL	0	1	
603	4	V7201119010	O링(P)	O-RING , P	0	1	
603	5	11105030150	스톱퍼 플레이트	PLATE , STOPPER	0	1	
603	6	11105030110	슬로우 리턴 밸브	VALVE , SLOW RETURN	0	1	
603	7	V7051400250	C형멈춤링(구멍용)	C-RING , HOLE	25	1	
603	8	11105030160	더스트씰(15)	SEAL , DUST 15	0	1	C
603	9	V3042600100	소형육각너트보통2종	NUT , HEX/2	0	1	
603	10	11105030170	슬로우 리턴 샤프트	SHAFT , SLOW RETURN	0	1	
603	11	15605070070	노브(슬로/리턴)	KNOB , SLOW RETURN	0	1	
603	12	V4011600060	스프링와셔	WASHER , SPRING	0	1	
603	13	V1112606040	십자홈냄비작은나사	SCREW , C/R PAN	0	1	

NOTE

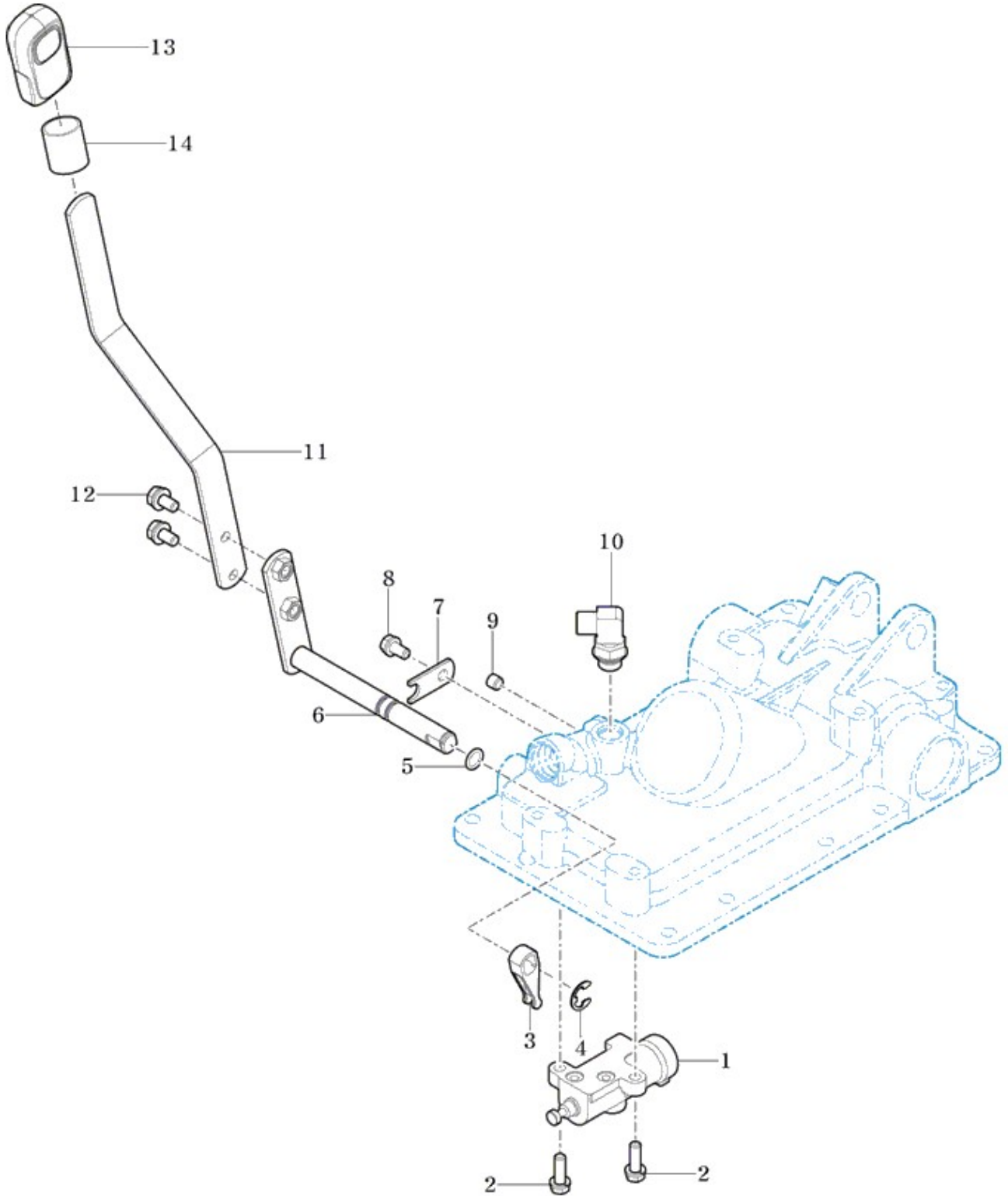
FIG 604

MAIN CONTROL VALVE

년/월  
Year/Month

2021-05

TC25NH



NOTE



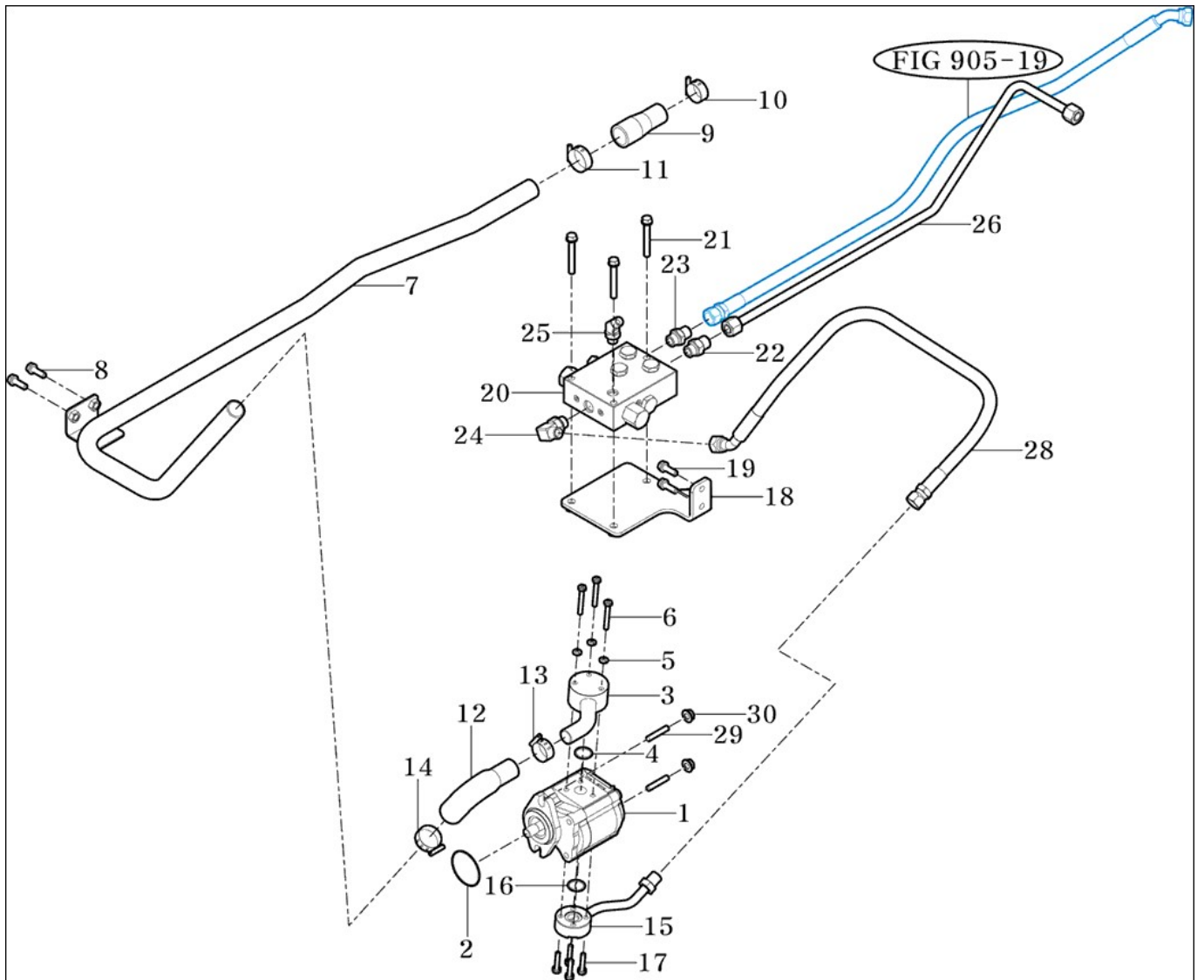
FIG 605

HYDRAULIC SUB

년/월  
Year/Month

TC25NH

2021-05



NOTE

FIG 605		HYDRAULIC SUB						년/월		
								Year/Month		
								2021-05		
TC25NH		KEY NO		PART NO	DESCRIPTION	SPEC	QTY	REPAIR	EFFECTIVE DATE	REMARKS
605	1	11115182200	기어펌프 ASSY(11cc)	GEAR PUMP ASSY , 11cc	0	1				
605	2	V7231020055	O링(S)	O-RING , S	0	1				
605	3	11115153300GB	플랜지 COMP(석션)	FLANGE COMP , SUCTI	0	1				
605	4	V7201024020	O링(P)	P20	0					
605	5	V4011600060	스프링와셔	M6	0					
605	6	V2053606045	십자홈육각볼트	M6X45	0					
605	7	11115153200GB	석션 파이프 COMP	PIPE COMP , SUCTION	0	1				
605	8	V2173608025	소형육각볼트보통(S)	M8X25	0					
605	9	11115150010	석션 호스	HOSE , SUCTION	0	1				
605	10	36503050020	밴드 클램프 32		0					
605	11	14445100080	밴드 클램프 40		0					
605	12	13155150021	호스(흡입)	1X1X1	0					
605	13	36503050020	밴드 클램프 32		0					
605	14	14445100080	밴드 클램프 40		0					
605	15	11115153400GB	플랜지 COMP(토출)	FLANGE COMP , OUT	0	1				
605	16	V7201024020	O링(P)	P20	0					
605	17	V2113606030	육각볼트(S)	M6X30	0					
605	18	11115107100ED	디바이더 브래킷 COMP	BRACKET COMP , DIBIDE	0	1				
605	19	V2173608025	소형육각볼트보통(S)	M8X25	0					
605	20	11115183100	디바이더 밸브 ASSY	VALVE , DIVIDER	0	1				
605	21	V2173608060	소형육각볼트보통(S)	M8X60	0					
605	22	16995304000	유니온(오링)	D25X25X36	0					
605	23	16994080072	유니온(SHORT)	육각 22 (40X25)	0					
605	24	36313530021	어댑터(고압)	25XC112X39	0					
605	25	34523600070	어댑터(PF1/4,45)	1X1X1	0					
605	26	11205104501GB	파이프(탱크) COMP	PIPE COMP , TANK	0	1				
605	28	11115103800	유압호스 ASSY(메인/830)	HOSE ASSY , MAIN/830	0	1				
605	29	V2513408020	스터드볼트2종	M8X20	0					
605	30	V3802600080	플랜지붙이육각너트	M8	0					
NOTE										

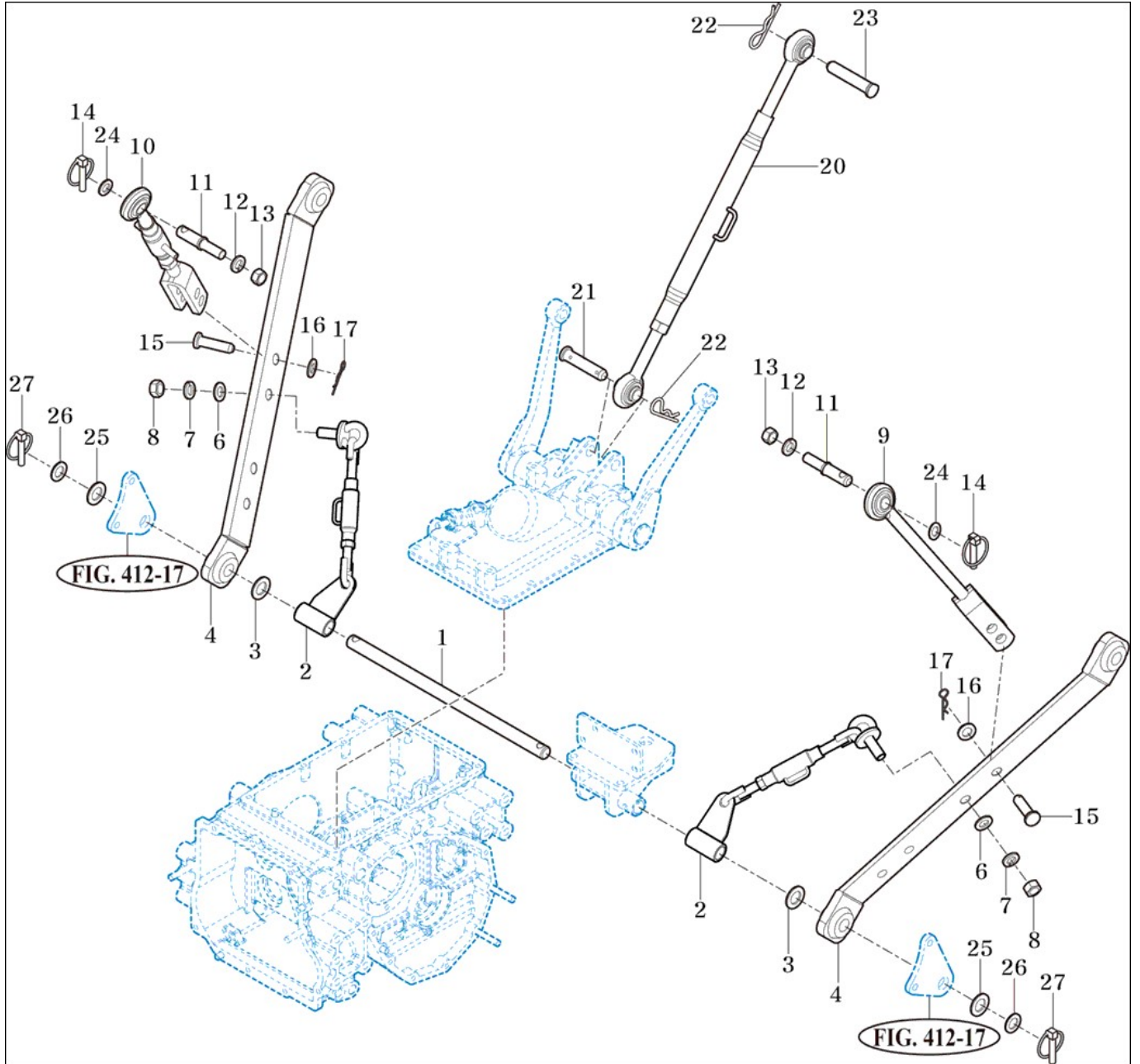
FIG 606

HITCH & 3-POINT LINKAGE

년/월  
Year/Month

TC25NH

2021-05



NOTE





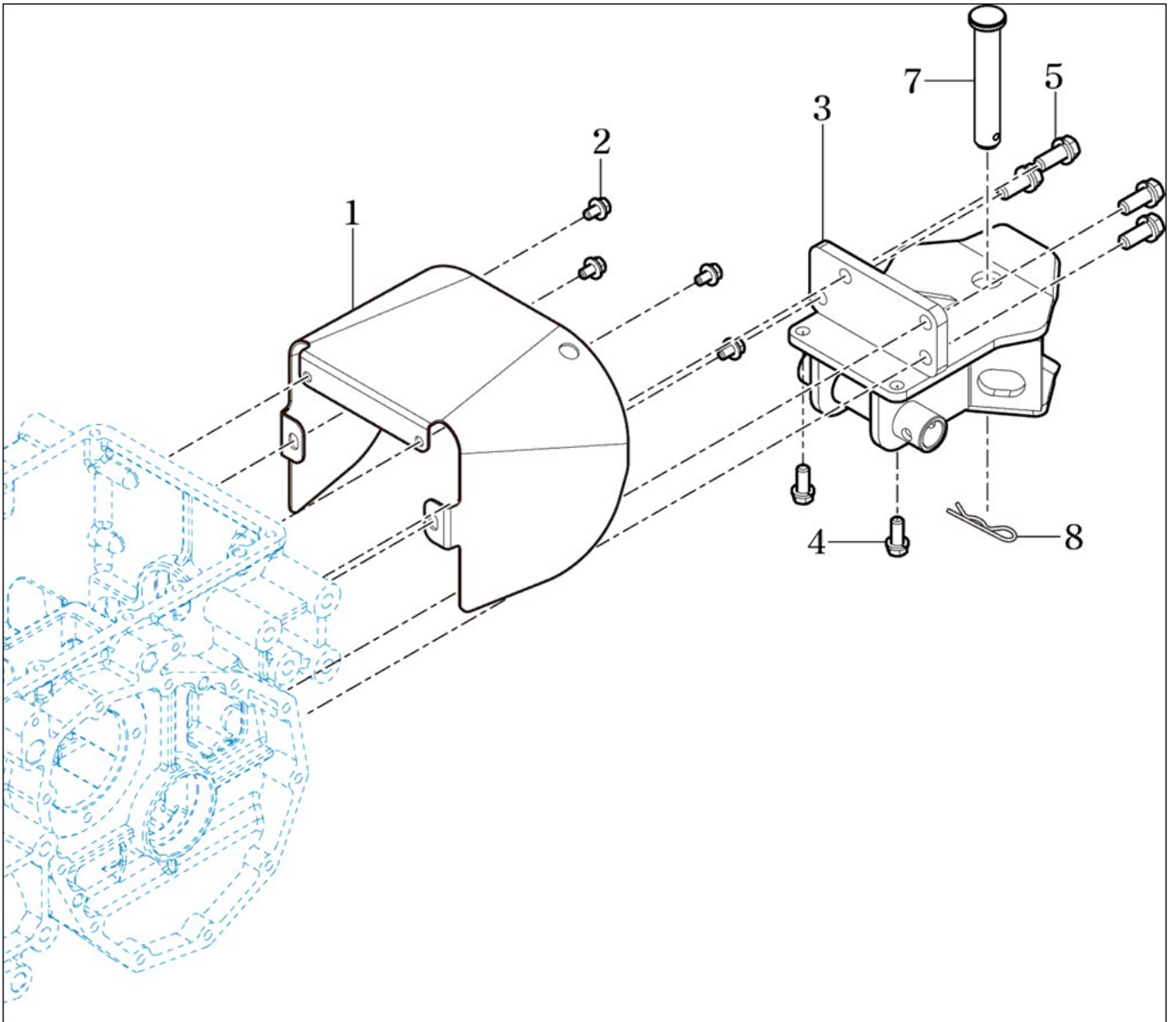
FIG 607

HITCH & COVER

년/월  
Year/Month

TC25NH

2021-05



NOTE



## 7. 시트메탈/캐빈 PART NO. T7

FIG 701 BONNET	132
FIG 701-2 BONNET	134
FIG 702 FLOOR	136
FIG 703 SEAT	138
FIG 704 ROPS	140
FIG 705 LEVER COVER & FENDER	142

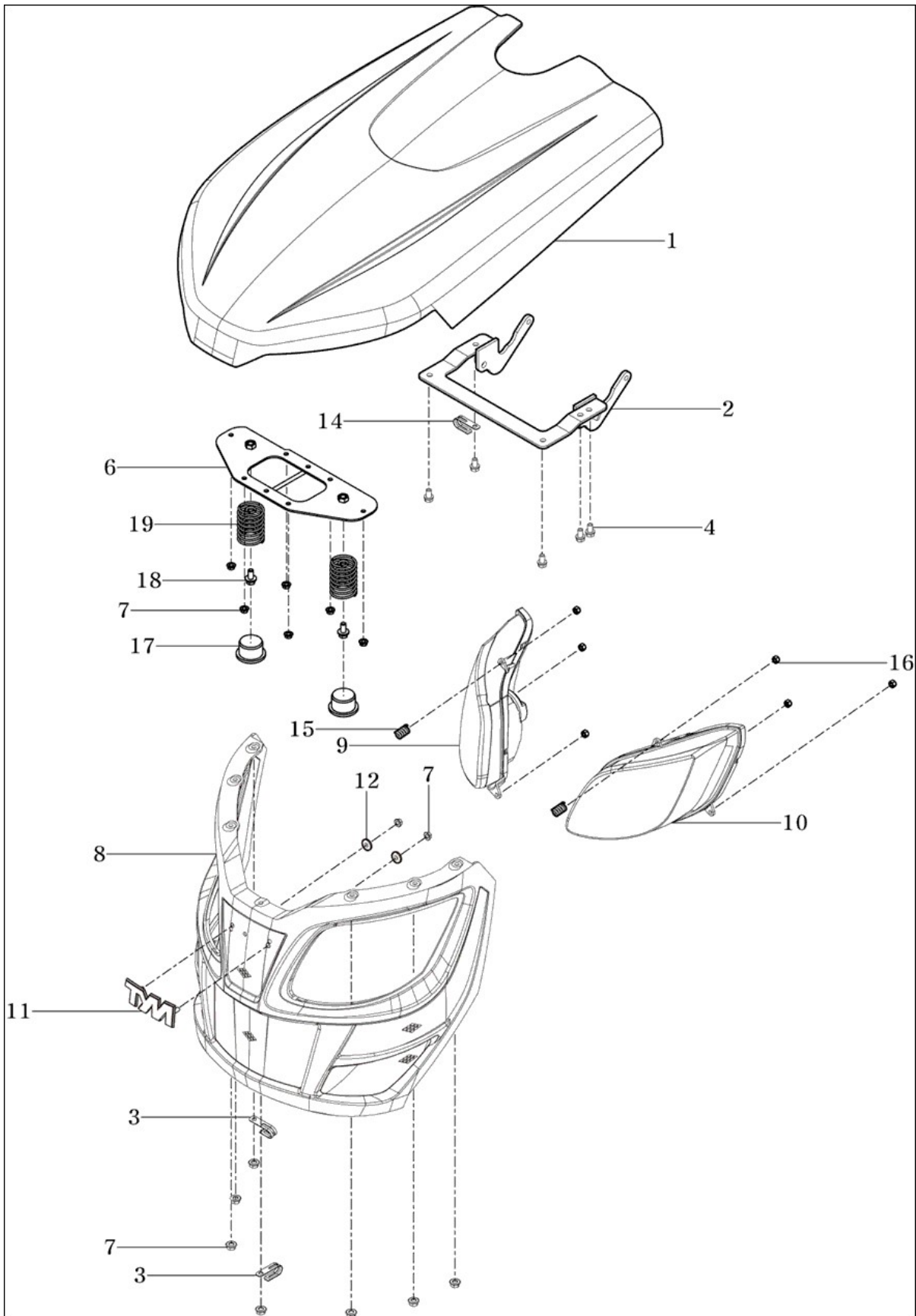
FIG 701

TC25NH

BONNET

년/월  
Year/Month

2021-05



NOTE



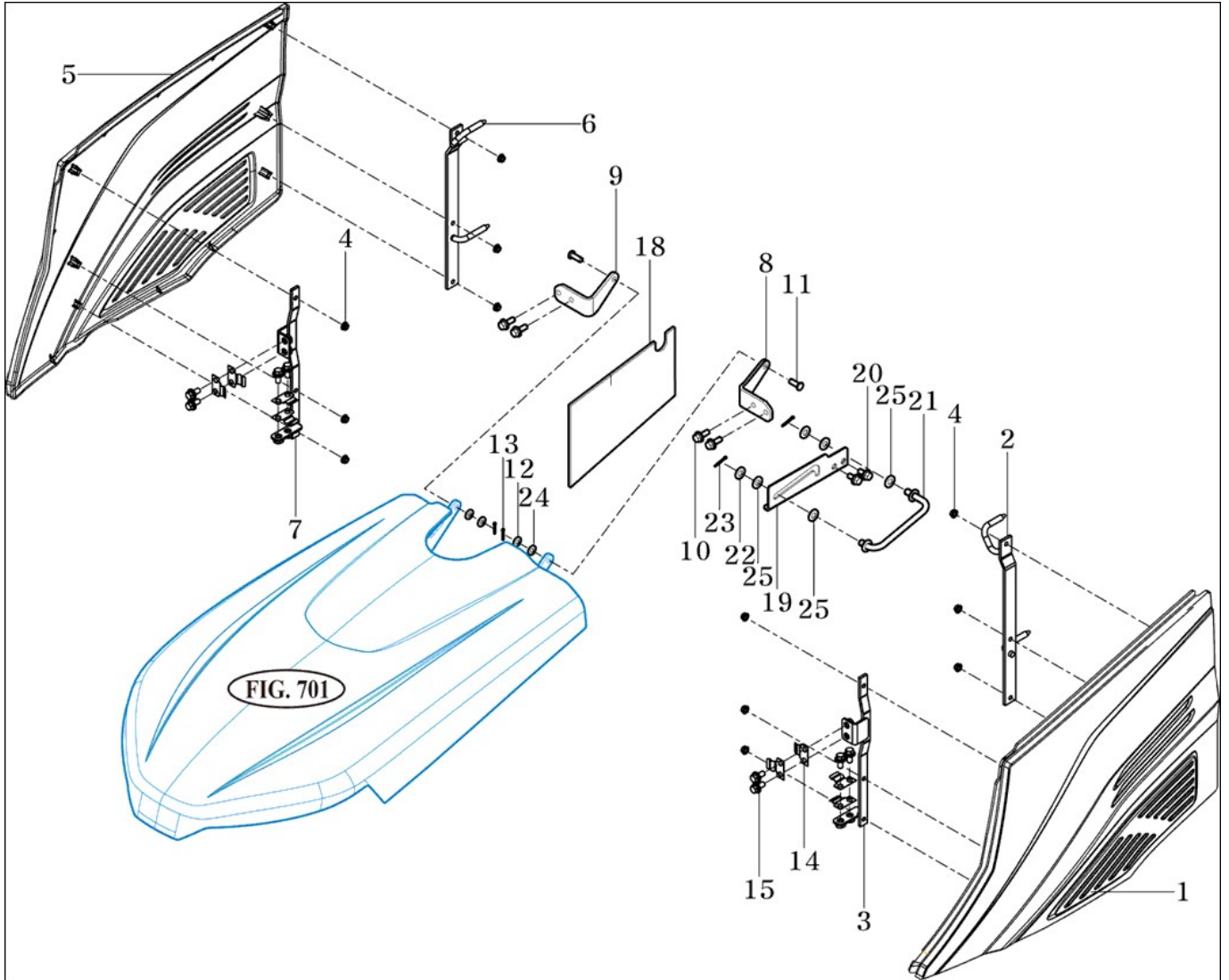
FIG 701-2

BONNET

년/월  
Year/Month

TC25NH

2021-05



NOTE

FIG 701-2		BONNET					년/월	
							Year/Month	
TC25NH							2021-05	
KEY NO	PART NO	DESCRIPTION	SPEC	QTY	REPAIR	EFFECTIVE DATE	REMARKS	
701-2	1	11106012601SR	사이드 판넬(좌) COMP	PANEL COMP , LH/SIDE	0	1		
701-2	2	11106017101GB	프레임 COMP , 사이드(후/좌)	FRAME COMP , RR/LH SIDE	0	1		
701-2	3	11106017201GB	프레임 COMP , 사이드(전/좌)	FRAME COMP , FR/LH SIDE	0	1		
701-2	4	V3802600060	플랜지볼이육각너트	NUT , HEX FLANGE	0	12		
701-2	5	11106012701SR	사이드 판넬(우) COMP	PANEL COMP , RH/SIDE	0	1		
701-2	6	11106018101GB	프레임 COMP , 사이드(후/우)	FRAME COMP , RR/RH SIDE	0	1		
701-2	7	11106018201GB	프레임 COMP , 사이드(전/우)	FRAME COMP , FR/RH SIDE	0	1		
701-2	8	11106012810GB	플레이트 , 좌/힌지	PLATE , LH/HINGE	0	1		
701-2	9	11106012910GB	플레이트 , 우/힌지	PLATE , RH/HINGE	0	1		
701-2	10	V2183608025	소형육각볼트보통(SP)	BOLT , HEX/SP	0	4		
701-2	11	14322420010	핀	PIN	0	2		
701-2	12	V4111600080	평와셔	WASHER , PLAIN	0	2		
701-2	13	V5001925015	분할핀	PIN , SPLIT	0	2		
701-2	14	15606040227	스프링	SPRING	0	8		
701-2	15	V2183608020	소형육각볼트보통(SP)	BOLT , HEX/SP	0	8		
701-2	18	11106015700	인슐레이터, 사이드(후)	INSULATOR , RR/SIDE	0	1		
701-2	19	11106017600	가이드 COMP , 스탠드	GUIDE COMP , STAND	0	1		
701-2	20	V2183608020	소형육각볼트보통(SP)	BOLT , HEX/SP	0	2		
701-2	21	11106017700	스탠드 COMP , 본넷	STAND COMP , BONNET	0	1		
701-2	22	V4111600100	평와셔	WASHER , PLAIN	0	2		
701-2	23	V5001925020	핀	PIN , SPLIT	0	2		
701-2	24	11205020030	고무와셔(8X16X4)	WASHER , RUBBER(8X16	0	2		
701-2	25	11206313020	우레탄 와셔(10X25X1)	WASHER , URETHANE(10	0	4		
NOTE								

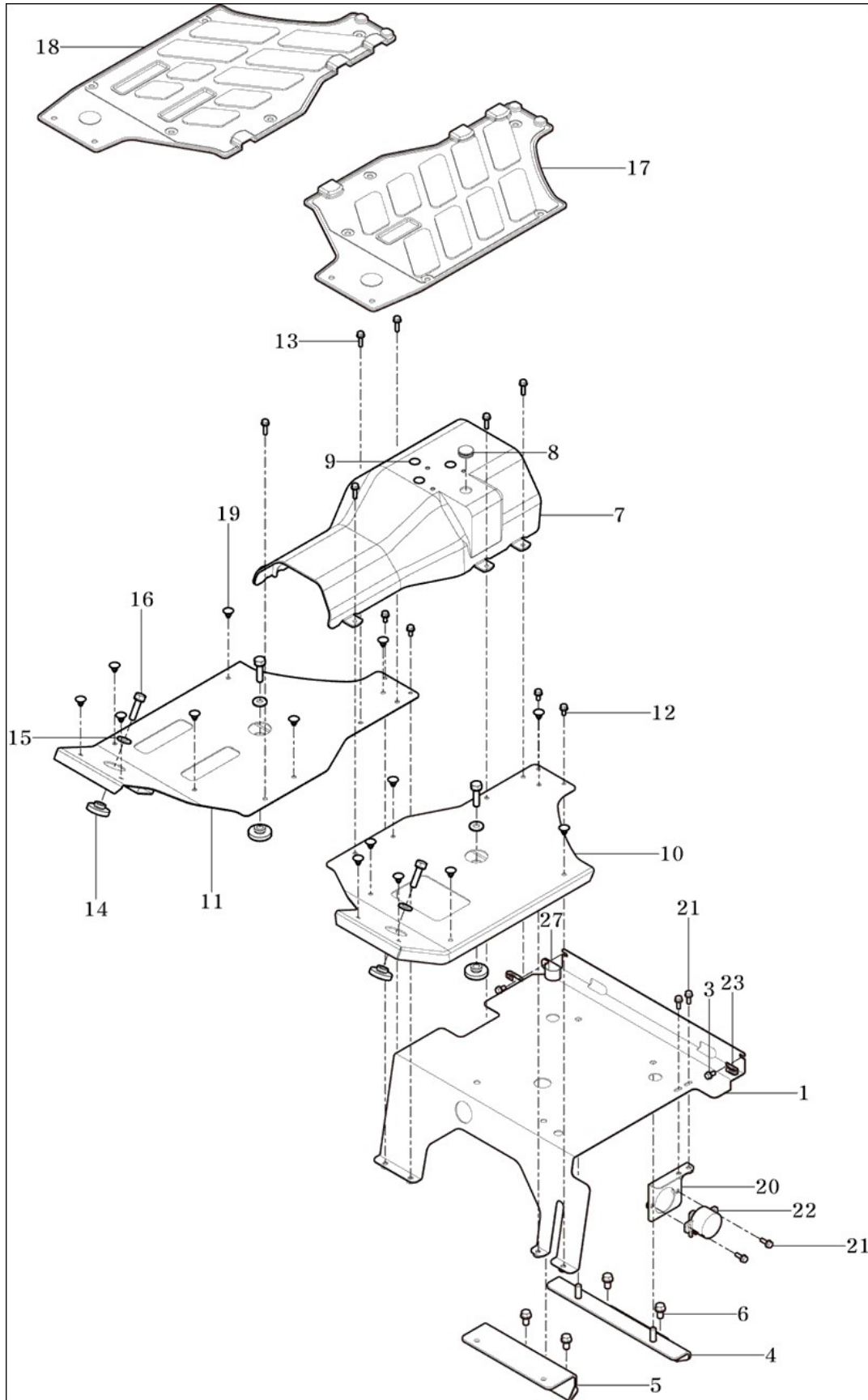
FIG 702

FLOOR

년/월  
Year/Month

TC25NH

2021-05



NOTE





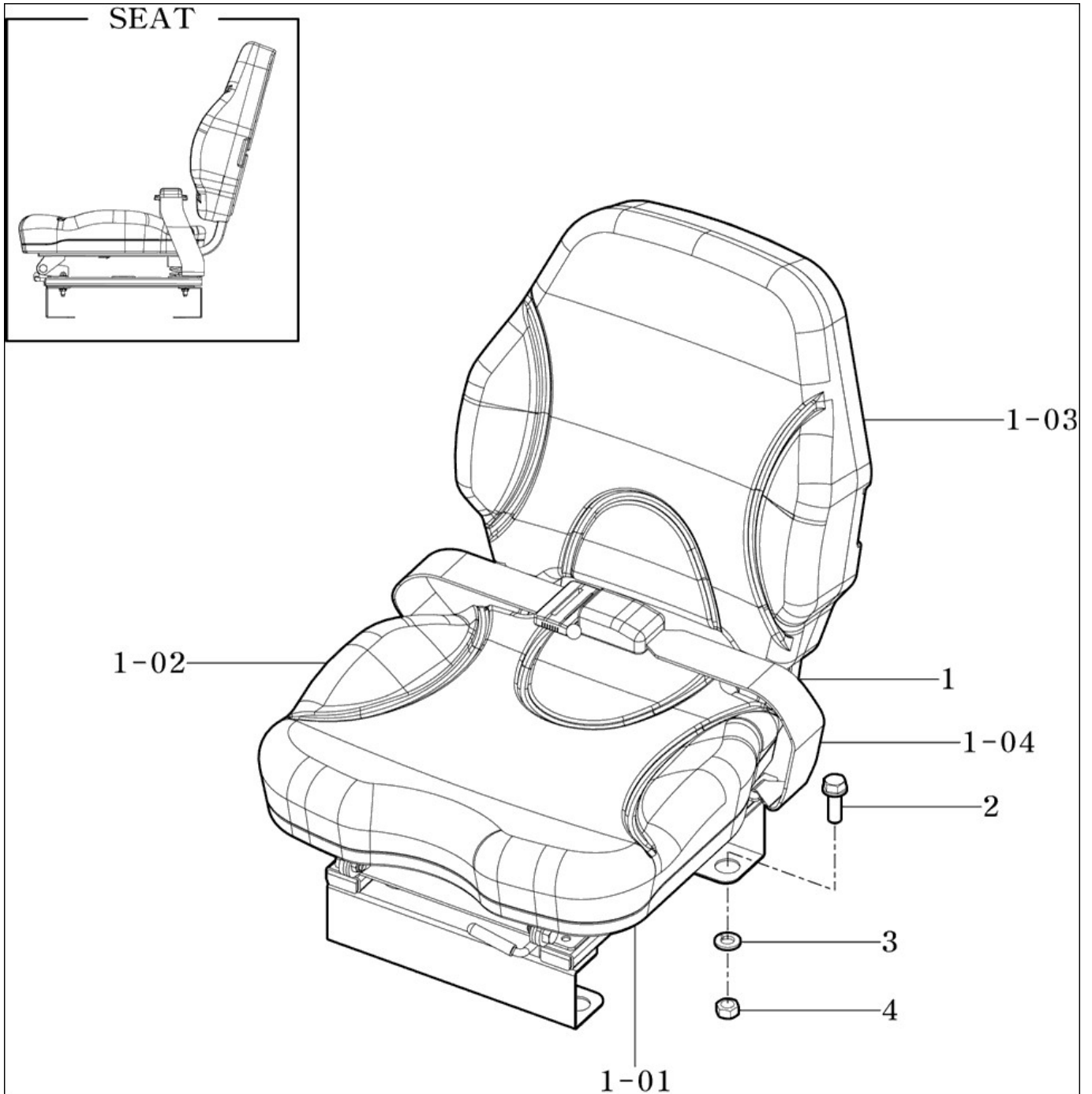
FIG 703

SEAT

년/월  
Year/Month

TC25NH

2021-05



NOTE

FIG 703		SEAT						년/월 Year/Month
TC25NH								2021-05
KEY NO	PART NO	DESCRIPTION	SPEC	QTY	REPAIR	EFFECTIVE DATE	REMARKS	
703	1	11116111001	시트 ASSY	SEAT ASSY	0	1		
703	101	11116111050	스위치 ASSY , 시트	SWITCH ASSY , SEAT	0	1		
703	102	11116111060	시트 쿠션	SEAT CUSHION ASSY	0	1		
703	103	11116111070	등받이 , 시트	BACK , SEAT	0	1		
703	104	11616111100	시트벨트ASSY	BELT ASSY , SEAT	0	1		
703	2	V2173608025	소형육각볼트보통(S)	M8X25	0			
703	3	V4011600100	스프링와셔	M10	0			
703	4	V3043600100	소형육각너트보통2종	M10	0			
NOTE								

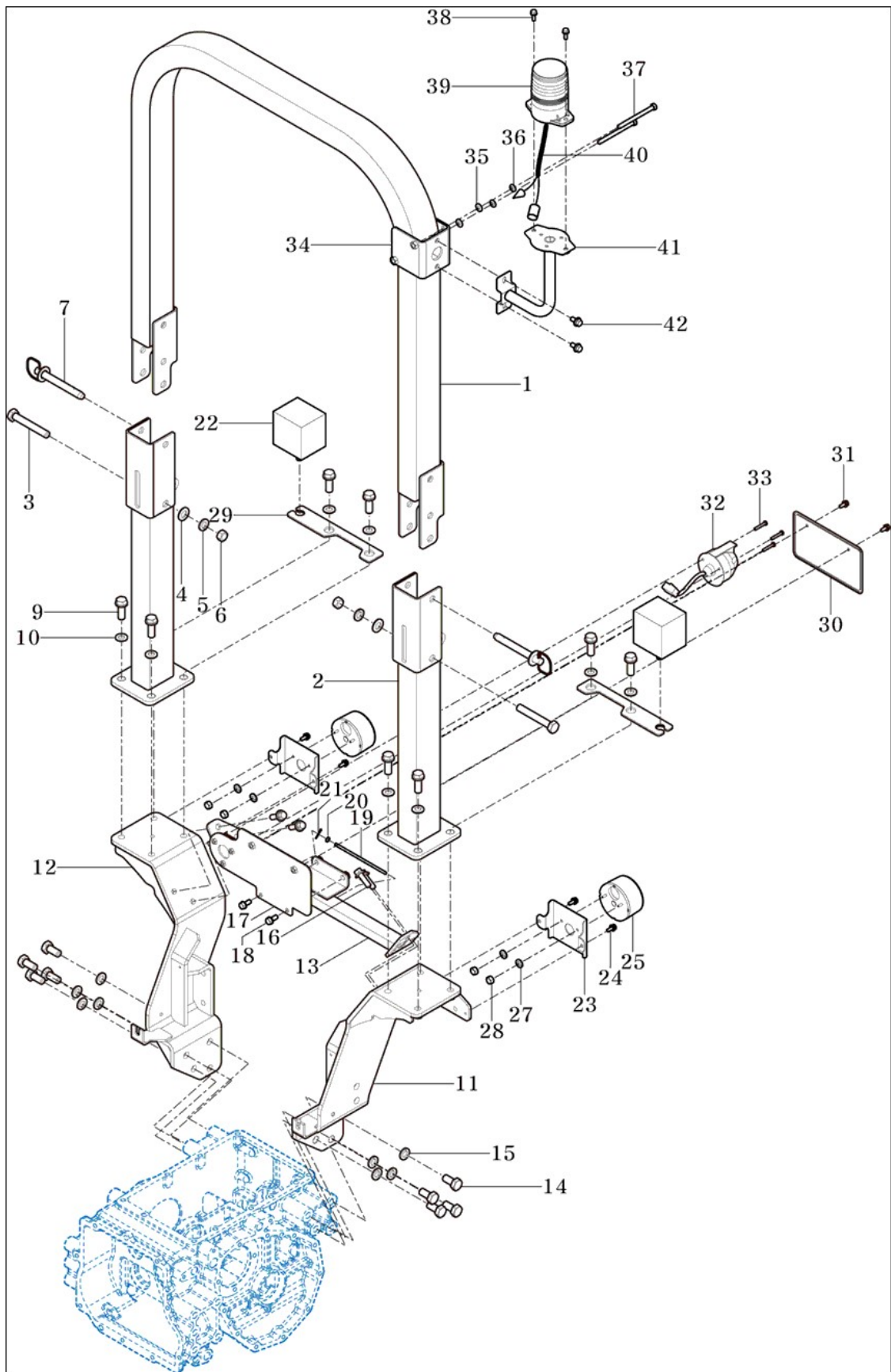
FIG 704

TC25NH

ROPS

년/월  
Year/Month

2021-05



NOTE

FIG 704 TC25NH	ROPS						년/월 Year/Month
							2021-05

KEY NO	PART NO	DESCRIPTION	SPEC	QTY	REPAIR	EFFECTIVE DATE	REMARKS
704	1	11107024100GB	프레임 COMP , 상	FRAME COMP , UPR	0	1	
704	2	11107022100GB	프레임 COMP , 하	FRAME COMP , LOW	0	2	
704	3	V2004614095	육각볼트(보통)	BOLT , HEX	0	2	
704	4	V4111600140	평와셔	M14	0		
704	5	V4011600140	스프링와셔	M14	0		
704	6	V3043600140	소형육각너트보통2종	M14	0		
704	7	11107027500	고정핀 조합	PIN COMP , FIXED	0	2	
704	9	V2174612040	소형육각볼트보통(S)	M12X40	0		
704	10	V4111600120	평와셔	M12	0		
704	11	11147022401GB	프레임 COMP(좌) , 서포트	FRAME COMP , LH/SPRT	0	1	
704	12	11147022501GB	프레임 COMP(우) , 서포트	FRAME COMP , RH/SPRT	0	1	
704	13	11107022600GB	프레임 COMP(중) , 서포트	FRAME COMP , CTR/SPRT	0	1	
704	14	V2034614030	육각볼트(가는)	BOLT , HEX FINE	0	8	
704	15	V4011600140	스프링와셔	M14	0		
704	16	V2183610030	소형육각볼트보통(SP)	M10X30	0		
704	17	11257012100GB	번호판 브래킷 COMP	BRACKET COMP , NUMBE	0	1	
704	18	V2173608020	소형육각볼트보통(S)	M8X20	0		
704	19	16705251100	후크(톱링크)	D=5	0		
704	20	V4111600050	평와셔	M5	0		
704	21	V5001920015	분할핀	2X15	0		
704	22	15666562003	램프(ком비네이션) ASSY		0		
704	23	11106564000GB	브래킷 , 램프	BRACKET , LAMP	0	2	
704	24	V2123606016	육각볼트(SP)	M6X16	0		
704	25	11106563001	스톱램프 ASSY	LAMP ASSY , STOP	0	2	
704	27	V4011600050	스프링와셔	M5	0		
704	28	V3002600050	육각너트보통1종	M5	0		
704	29	11106562110GB	램프 플레이트	PLATE , LAMP	0	2	
704	30	16997011230	번호판(트랙터용)		0		
704	31	V2123606016	육각볼트(SP)	M6X16	0		
704	32	13267028202	트레일러연결소켓 ASSY	SOCKET ASSY , TRAILER	0	1	
704	33	V1112605030	십자흠냄비작은나사	M5X30	0		
704	34	11257912100GB	경광등 브래킷 COMP	BRACKET COMP , BEACO	0	1	
704	35	V4111600080	평와셔	M8	0		
704	36	V4011600080	스프링와셔	M8	0		
704	37	V2013608100	소형육각볼트(보통)	M8X100	0		
704	38	V2123606020	육각볼트(SP)	M6X20	0		
704	39	19027912301	경광등 ASSY	1X1X1	0		
704	40	14536683401	경광등 하니스	1X1X1	0		
704	41	19027912201GB	암 COMP(경광등)	1X1X1	0		
704	42	V2183608020	소형육각볼트보통(SP)	M8X20	0		

NOTE

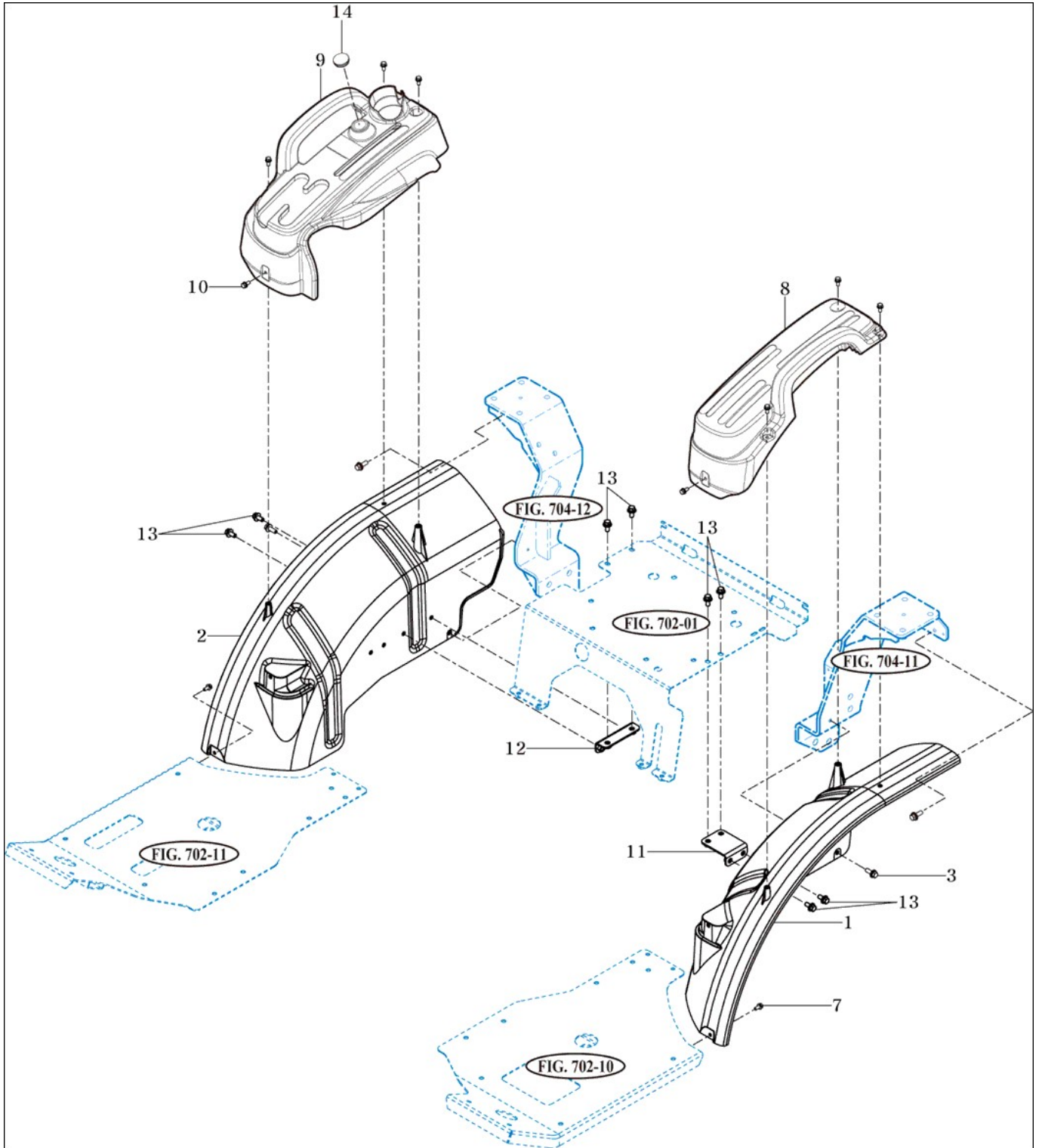
FIG 705

LEVER COVER & FENDER

년/월  
Year/Month

TC25NH

2021-05



NOTE



## 8. 전장 PART NO. T8

FIG 801 BATTERY MOUNTING	145
FIG 802 INSTRUMENT PANEL	147
FIG 803 HARNESS	149
FIG 804 HARNESS	151
FIG 805 HARNESS	153



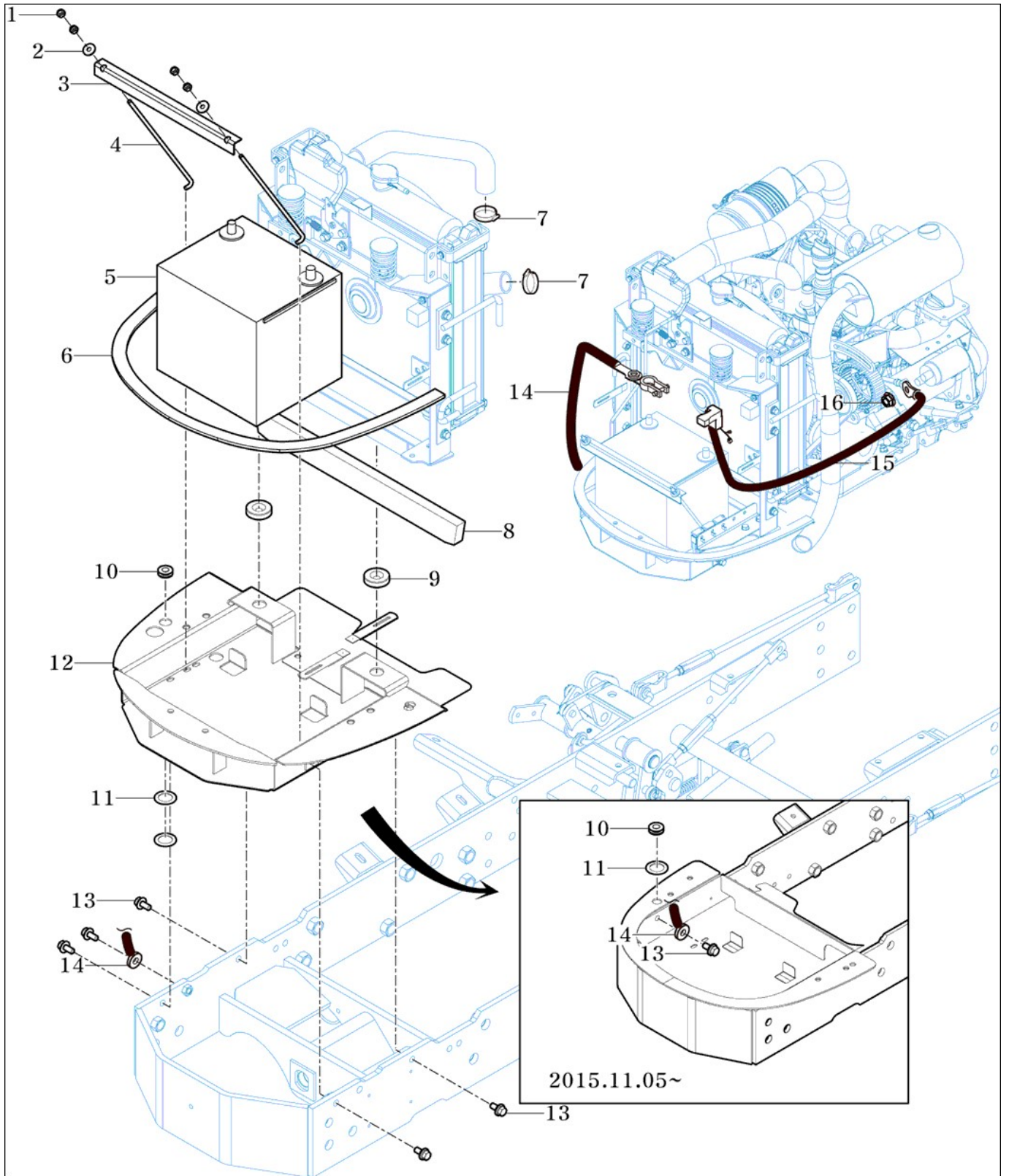
FIG 801

BATTERY MOUNTING

년/월  
Year/Month

TC25NH

2021-05



NOTE

FIG 801		BATTERY MOUNTING					년/월 Year/Month  2021-05	
TC25NH								
KEY NO	PART NO	DESCRIPTION	SPEC	QTY	REPAIR	EFFECTIVE DATE	REMARKS	
801	1	V3002600060	육각너트보통1종	M6	0			
801	2	35605033020	와이어인출용와셔	T=1.6	0			
801	3	11101122210GB	플레이트(бат데리) SET	PLATE , BATTERY SET	0	1		
801	4	13151120061	бат데리세트볼트	D=5.25~5.3	0			
801	5	11106000521	배터리(50R)ASSY	BATTERY ASSY , 50R	0	1		
801	7	14445100080	밴드 클램프 40		0			
801	8	11101120010	인슈레이터	INSULATOR	0	1		
801	9	15156210300	쿠션고무A(라디에타)		0			
801	10	14046210300	그로밋		0			
801	11	35652030040	팩커축칼라	T=1.0	0			
801	13	V2183608025	소형육각볼트보통(SP)	M8X25	0			
801	14	11106684200	하니스 ASSY(접지선)	HARNES ASSY , EARTH	0	1		
801	15	11116502000	케이블(бат데리)ASSY	CABLE ASSY , BATTERY	0	1		
801	16	V3802600080	플랜지볼이육각너트	M8	0			
NOTE								

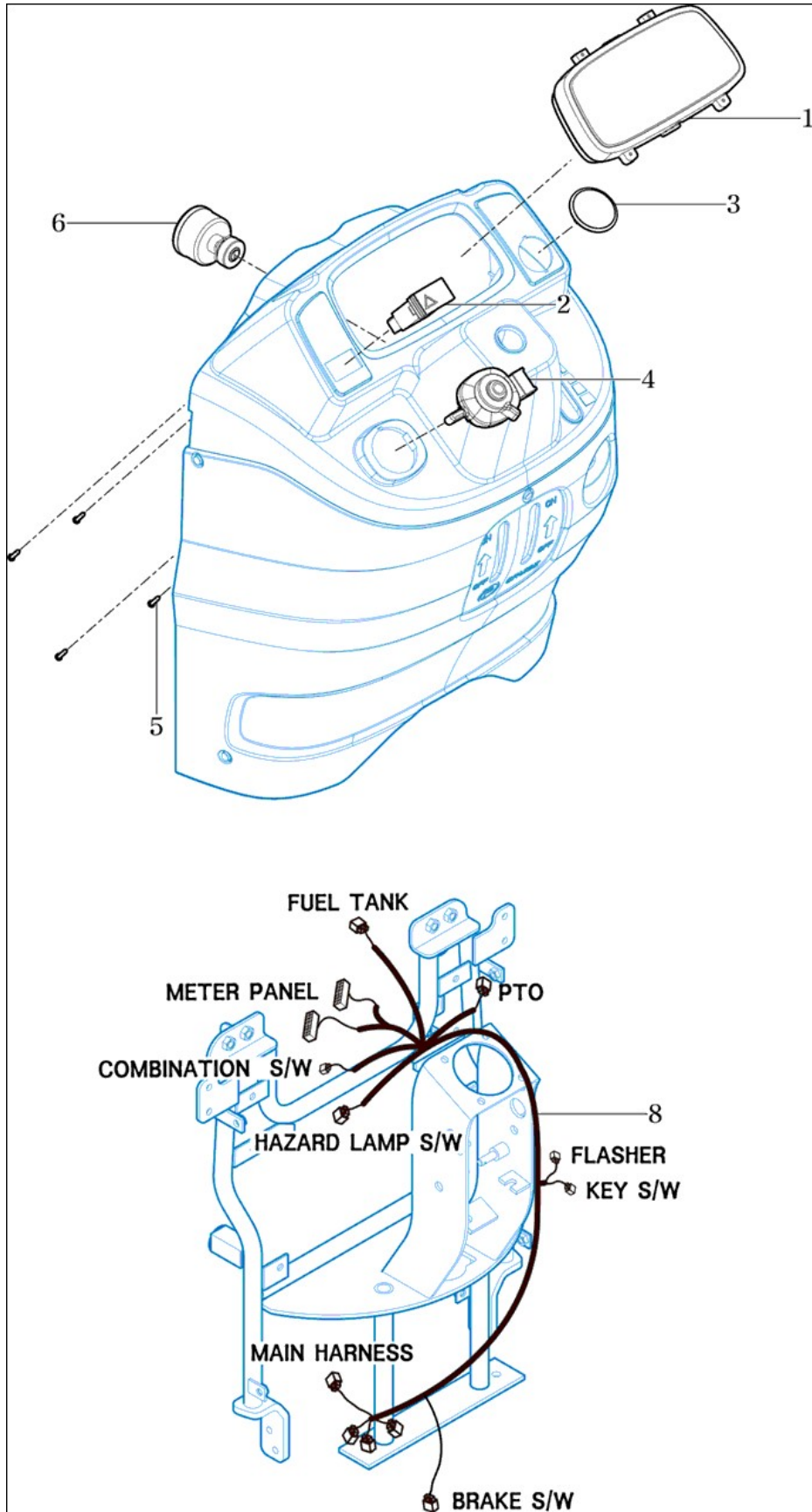
FIG 802

INSTRUMENT PANEL

년/월  
Year/Month

TC25NH

2021-05



NOTE

FIG 802		INSTRUMENT PANEL					년/월	
							Year/Month	
TC25NH		2021-05						
KEY NO	PART NO	DESCRIPTION	SPEC	QTY	REPAIR	EFFECTIVE DATE	REMARKS	
802	1	11116602003	메타판넬 ASSY	PANEL ASSY , METER	0	1		
802	2	14537072500	캡형비상정멸스위치ASSY	hazard SWITCH	0	1		
802	3	11106644000	PTO 스위치ASSY	SWITCH ASSY , PTO	0	1		
802	4	13156642202	콤비 스위치	SWITCH , COMBI	0	1		
802	5	V1922604016	태핑나사	SCREW , TAPPING	0	4		
802	6	14527078701	스위치셋트,키	SWITCH SET,KEY	0	1		
802	8	11206683003	하니스(메인) ASSY	HARNISS ASSY , MAIN	0	1		
NOTE								

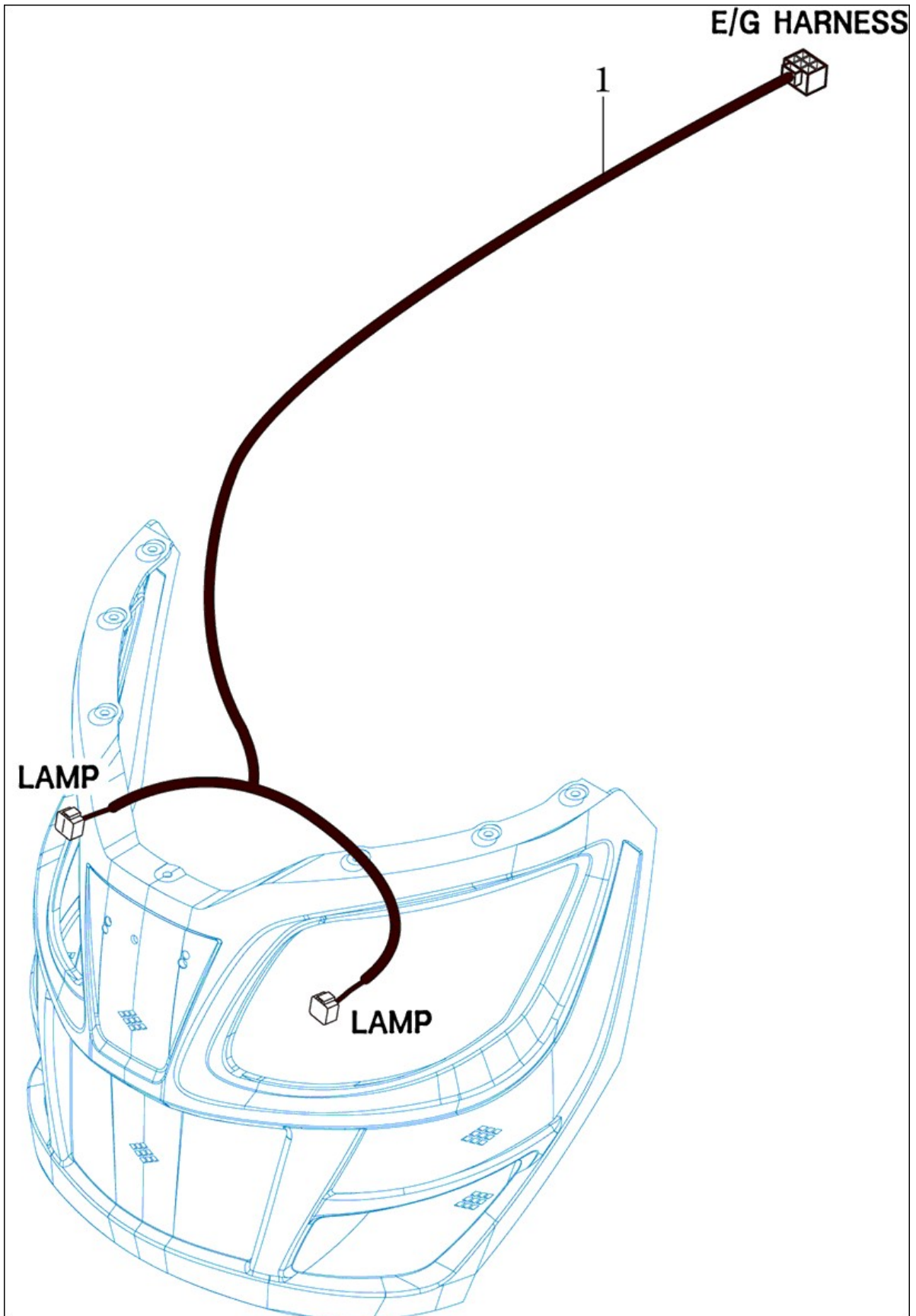
FIG 803

HARNESS

년/월  
Year/Month

TC25NH

2021-05



NOTE



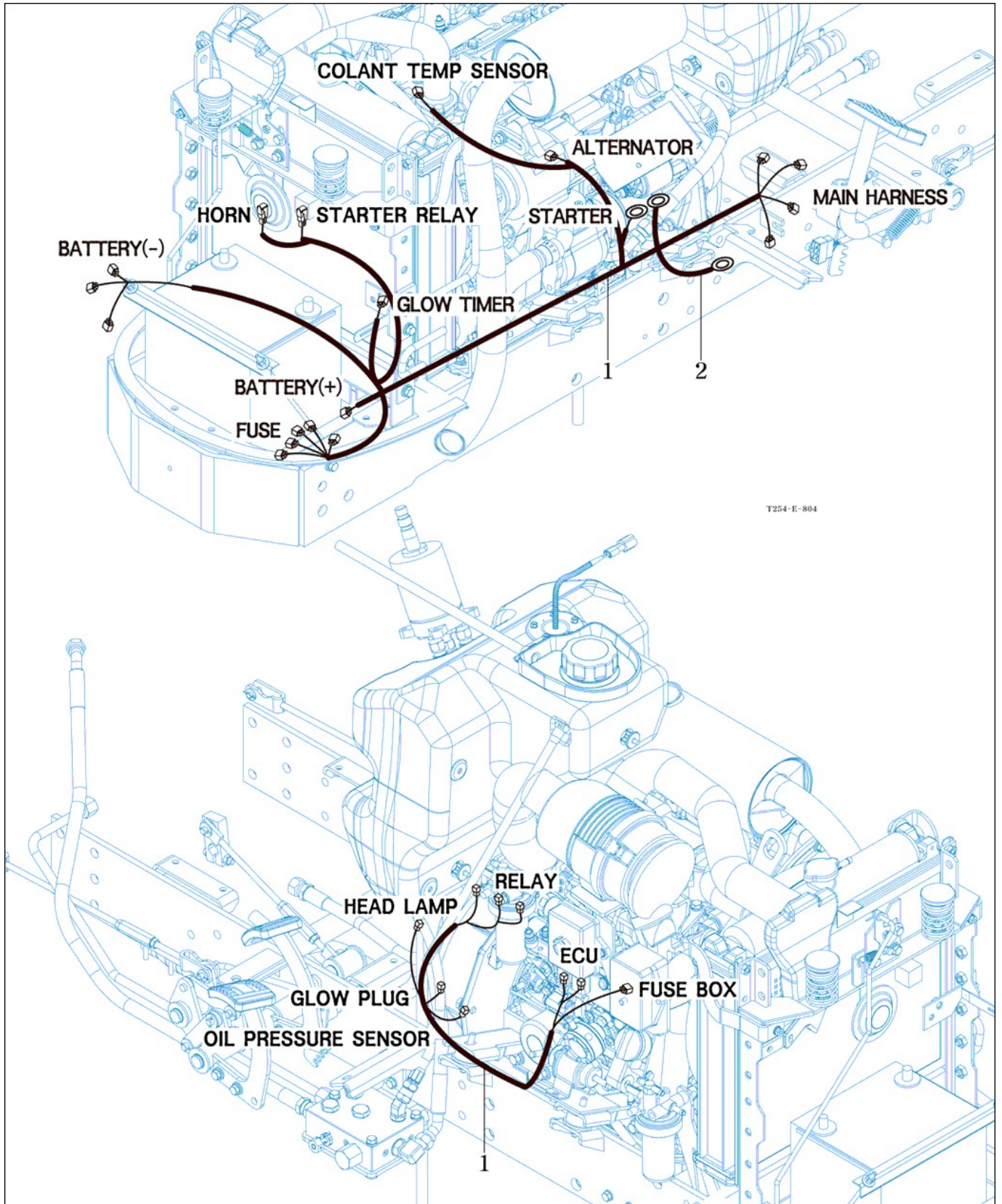
FIG 804

HARNESS

년/월  
Year/Month

2021-05

TC25NH



T254-E-804

NOTE





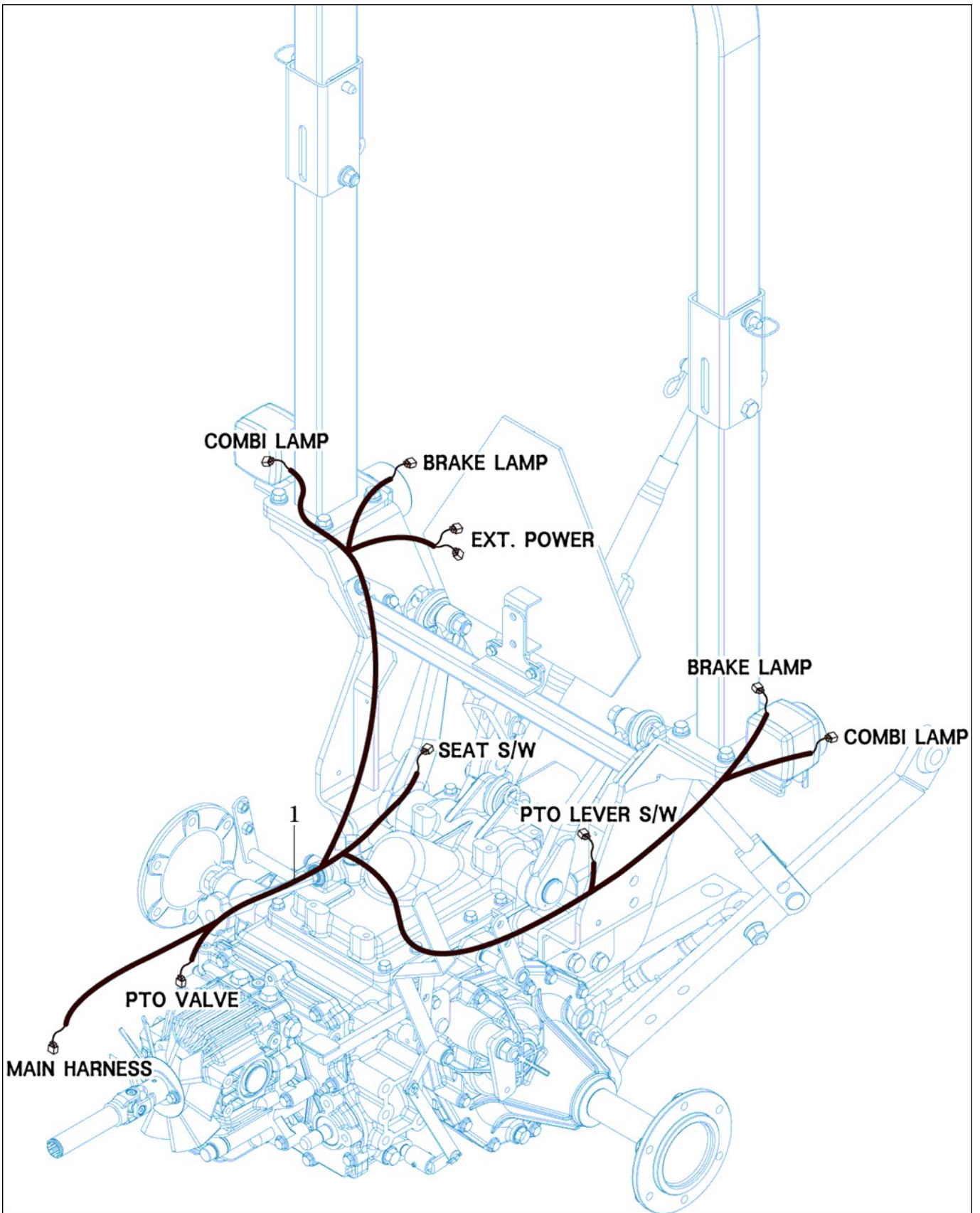
FIG 805

HARNESS

년/월  
Year/Month

TC25NH

2021-05



NOTE



## 9. 라벨/옵션 PART NO. T9

FIG 901 TOOL & ACCESSORY	156
FIG 902 LABEL	158
FIG 903 LABEL	160
FIG 904 WEIGHT	162
FIG 905 AUXILIARY VALVE KIT	164

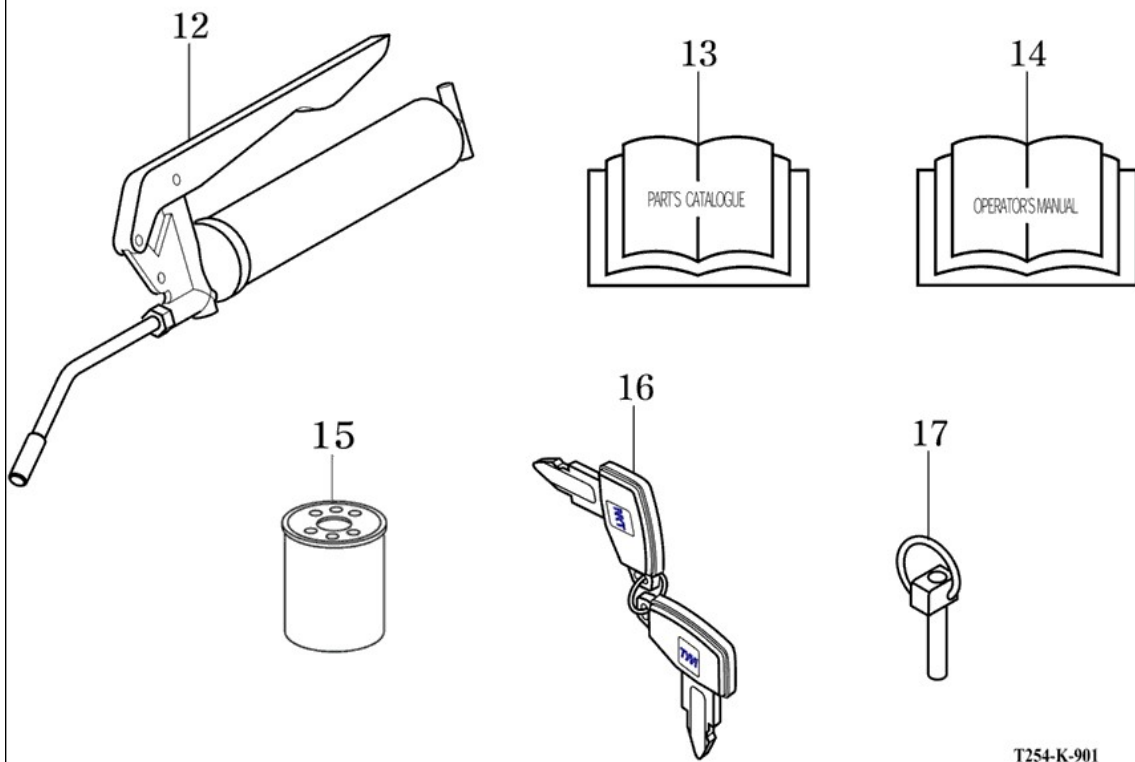
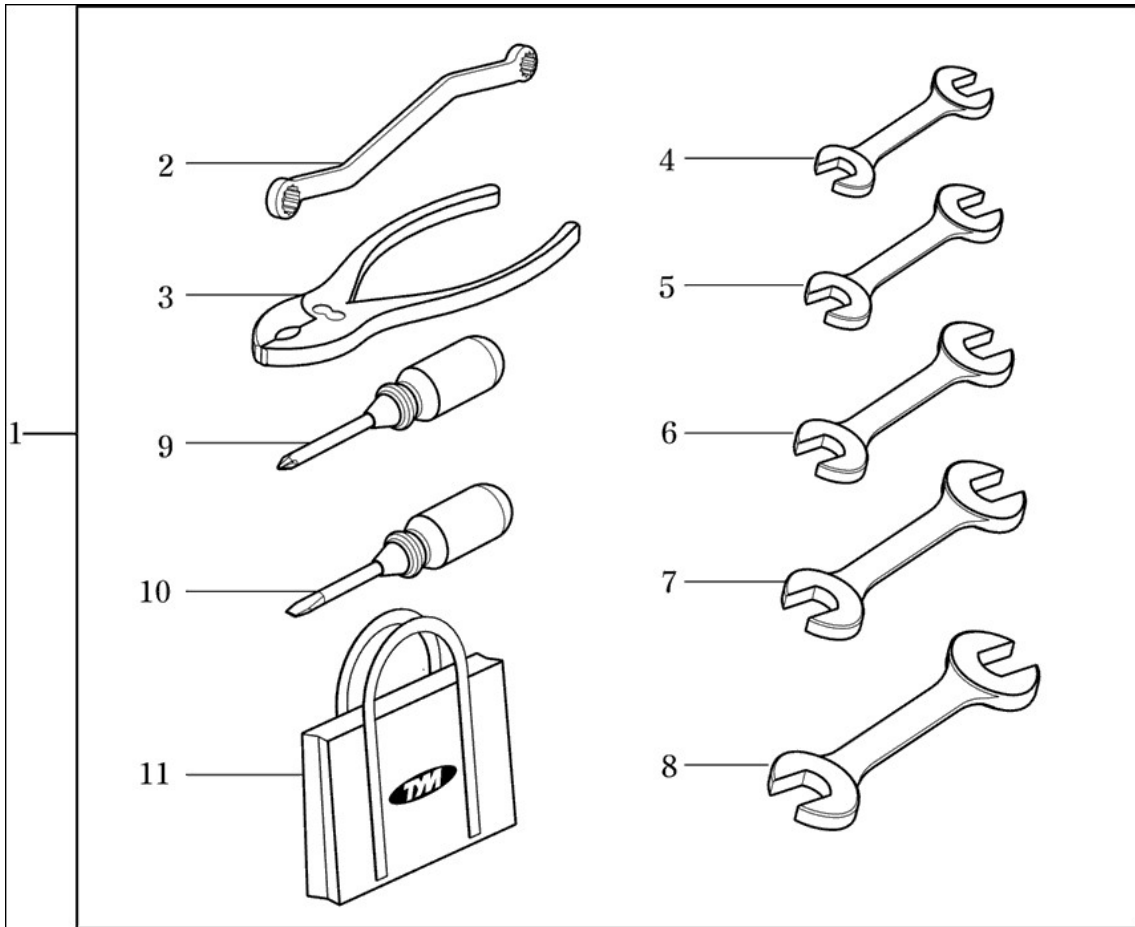
FIG 901

TOOL & ACCESSORY

년/월  
Year/Month

TC25NH

2021-05



NOTE



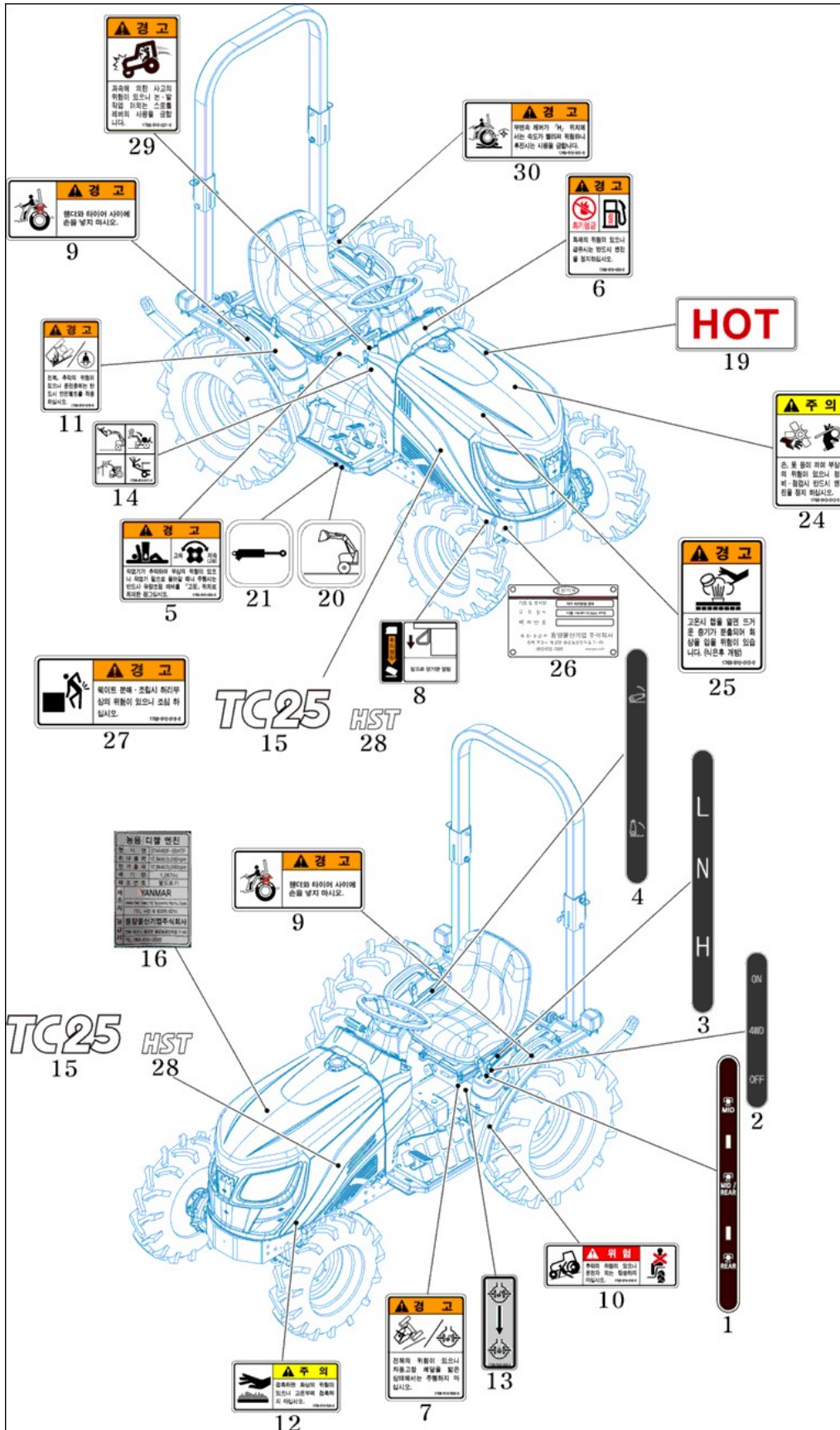
FIG 902

LABEL

년/월  
Year/Month

TC25NH

2021-05



NOTE



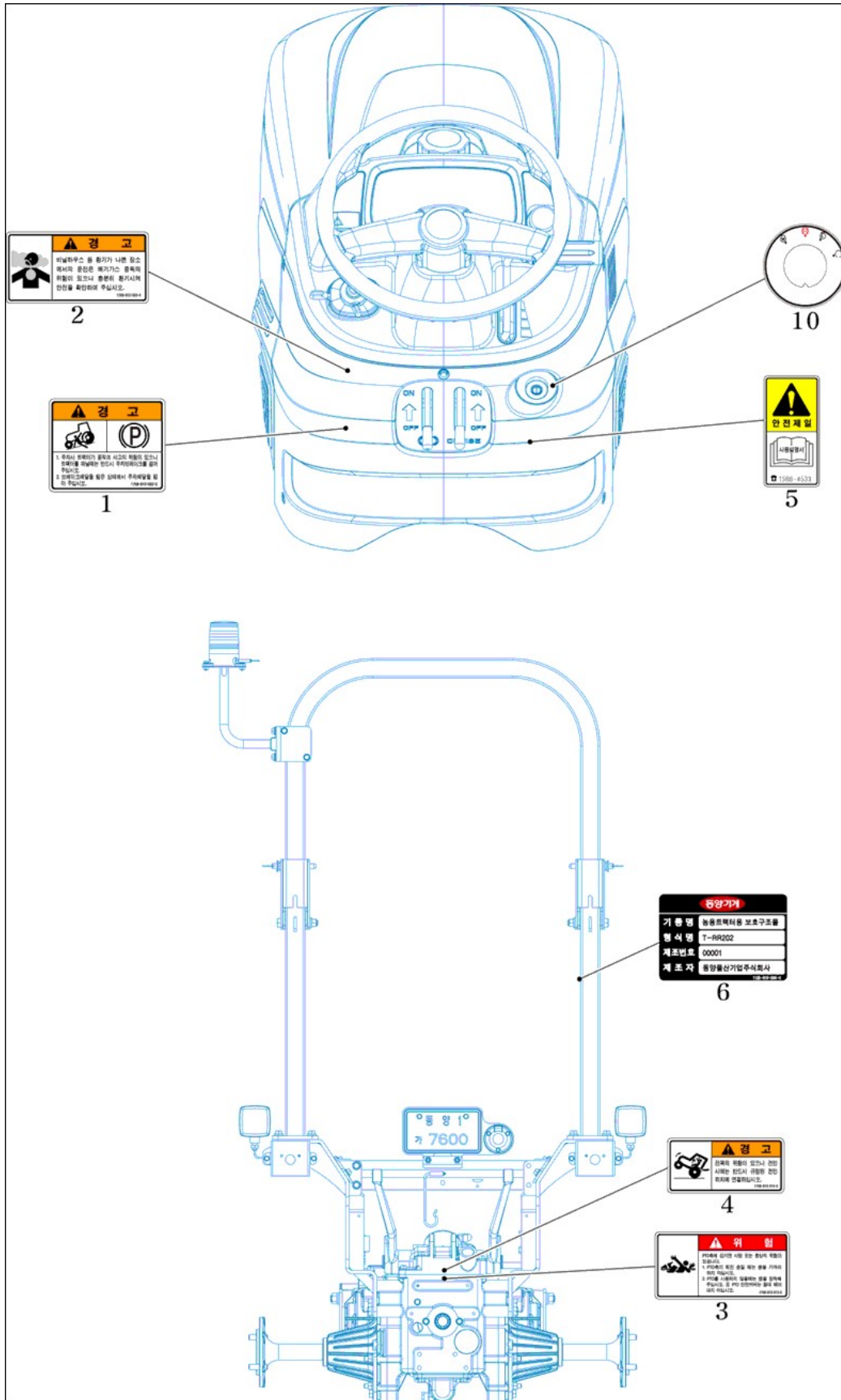
FIG 903

LABEL

년/월  
Year/Month

TC25NH

2021-05



NOTE





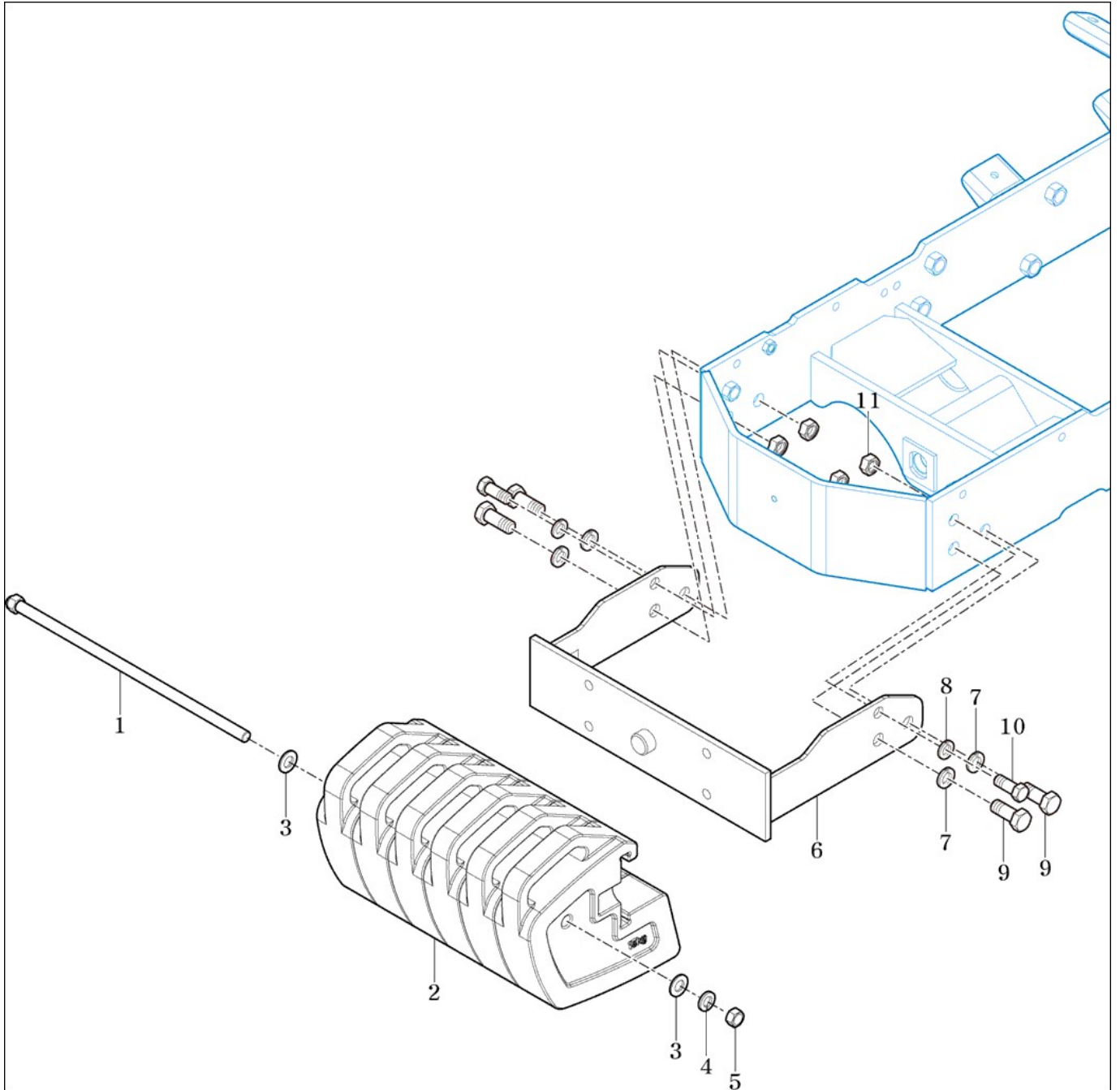
FIG 904

TC25NH

WEIGHT

년/월  
Year/Month

2021-05



NOTE



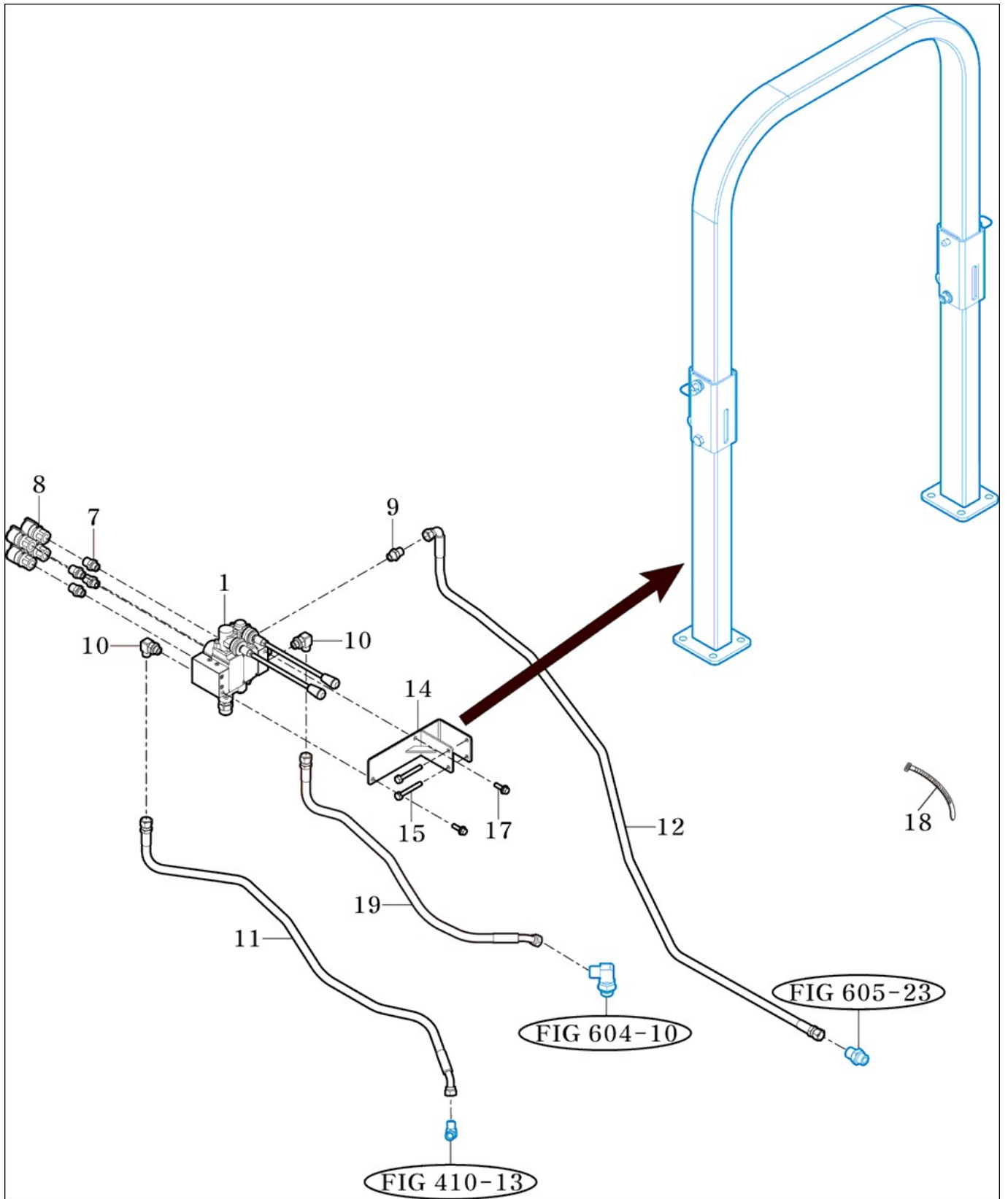
FIG 905

AUXILIARY VALVE KIT

년/월  
Year/Month

TC25NH

2021-05



NOTE

