

F25RN_EU_FL(AC02115) TRACTOR

Parts Catalogue



CONTENTS

GROUP NO	GROUP NAME	PAGE
G. ENGINE		
A01_004	CYLINDER BLOCK	4
A02_003	DRIVE PULLY	6
A03_002	CRANK SHAFT PULLEY	8
A04_003	GLOW PLUG ASS'Y OPTION	10
A05_003	CRANK SHAFT ASS'Y OPTION	12
A06_002	BREATHER OPTION	14
A07_003	CAMSHAFT	16
A08_003	ALTERNATOR	18
A09_003	COOLING WATER PUMP	20
A10_004	COOLING FAN SPACER	22
A11_004	INJECTOR	24
A12_005	FUEL INJECTON	26
A13_002	PLUMBING, FUEL	28
A14_001	FUEL FILTER BRACKET	30
A16_018	FUEL FILTER ASS'Y OPTION	32
A17_005	INTAKE MANIFOLD ASS'Y OPTION	34
A18_005	FLYWHEEL	36
A19_005	FLYWHEEL HOUSING	38
A20_009	HEAD, CYLINDER	40
A21_002	HEAD COVER	42
A23_003	TURBOCHARGER SUPPORT ASS'Y OPTION	44
A26_001	COOLER, ENGINE OIL	46
A27_004	OIL PAN ASS'Y OPTION	48
A28_001	PUMP, LUBRICATING OIL	50
A29_005	FILTER, LUBRICATING OIL	52
A30_003	FRONT GEAR ACCESSORY DRIVE	54
A31_003	PISTON	56
A32_002	LEVER, LOCKER	58
A33_007	EXHAUST MANIFOLD	60
A34_004	SILENCER	62
A35_002	IDLE GEAR	64
A36_002	COVER, FRONT GEAR	66
A38_004	GAUGE, OIL LEVEL	68
A39_001	OIL FILLER CAP	70

CONTENTS

GROUP NO	GROUP NAME	PAGE
G. ENGINE		
A40_003	LIFT ASS'Y OPTION	72
A42_003	MOTER, STARTIONS	74
A48_003	V-BELT	76

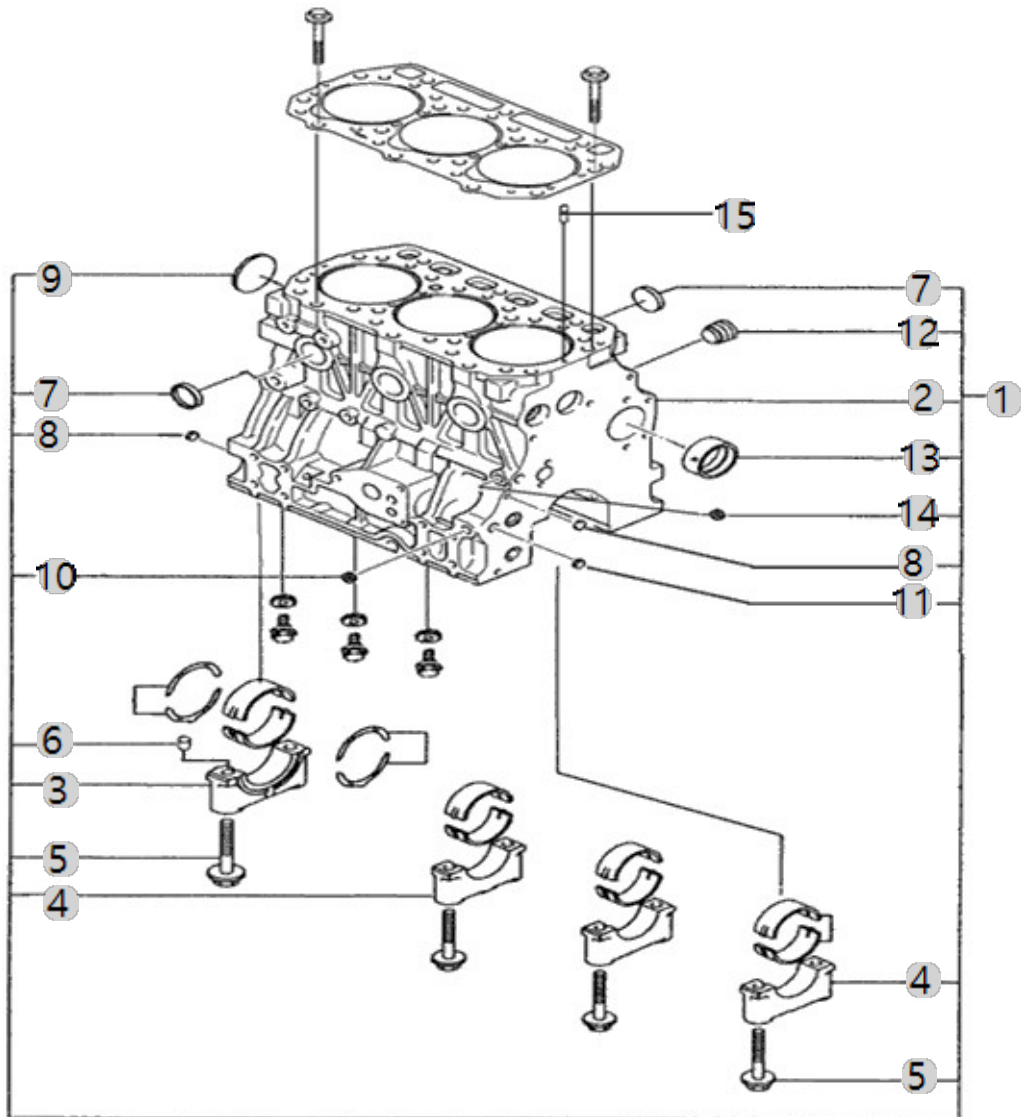
A01_004

A1700N6-ETR_5
(AB00342)

CYLINDER BLOCK

Year/Month

2022-12-16



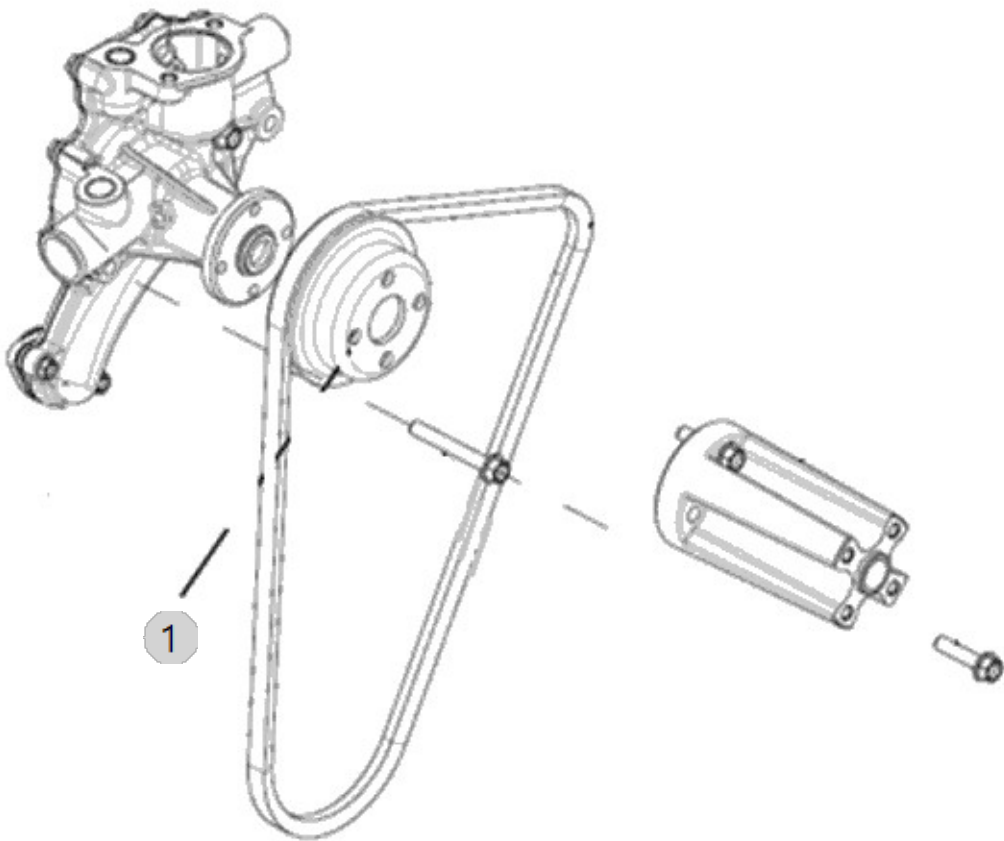
A02_003

A1700N6-ETR_5
(AB00342)

DRIVE PULLEY

Year/Month

2022-12-16



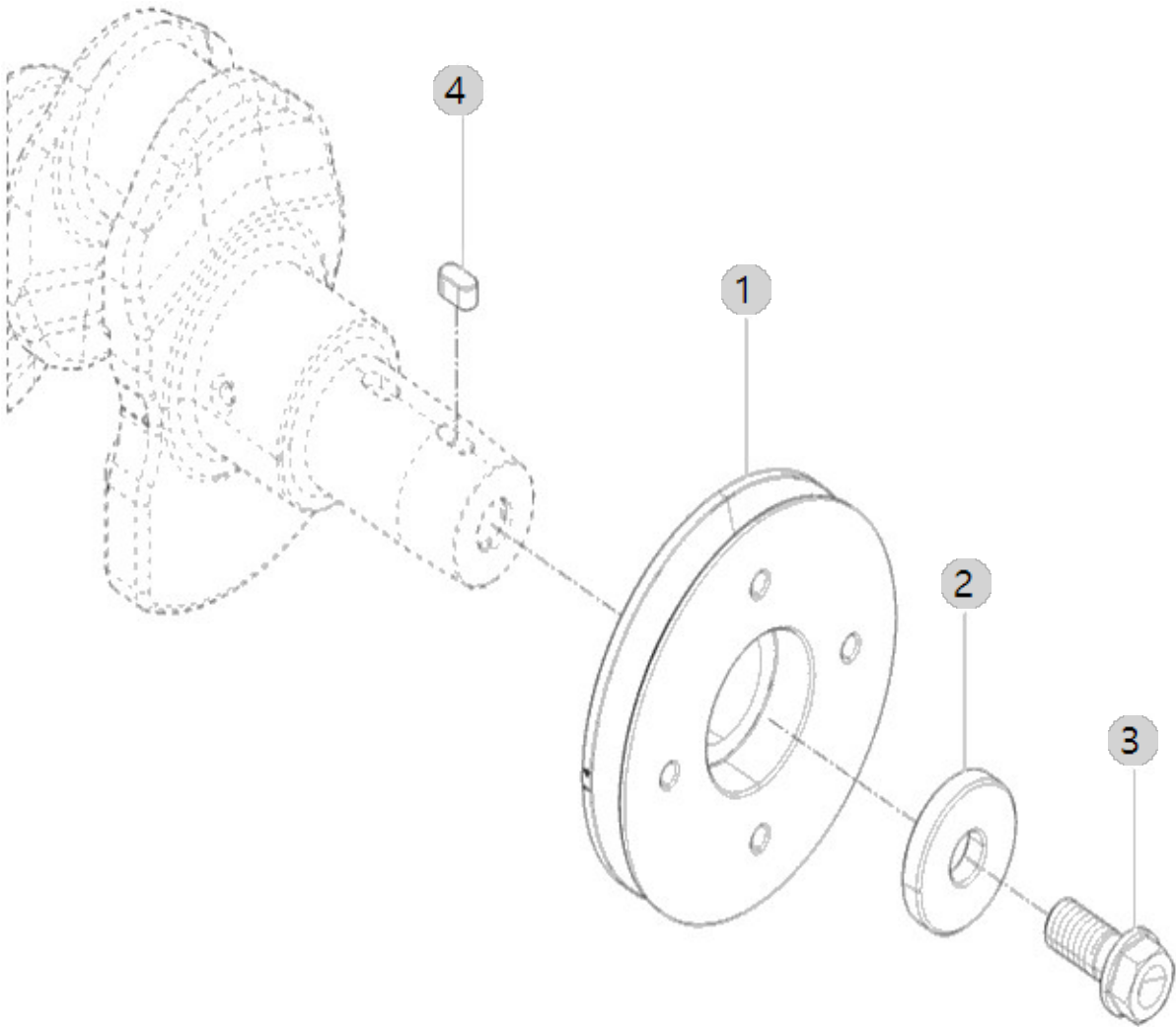
A03_002

A1700N6-ETR_5
(AB00342)

CRANK SHAFT PULLEY

Year/Month

2022-12-16



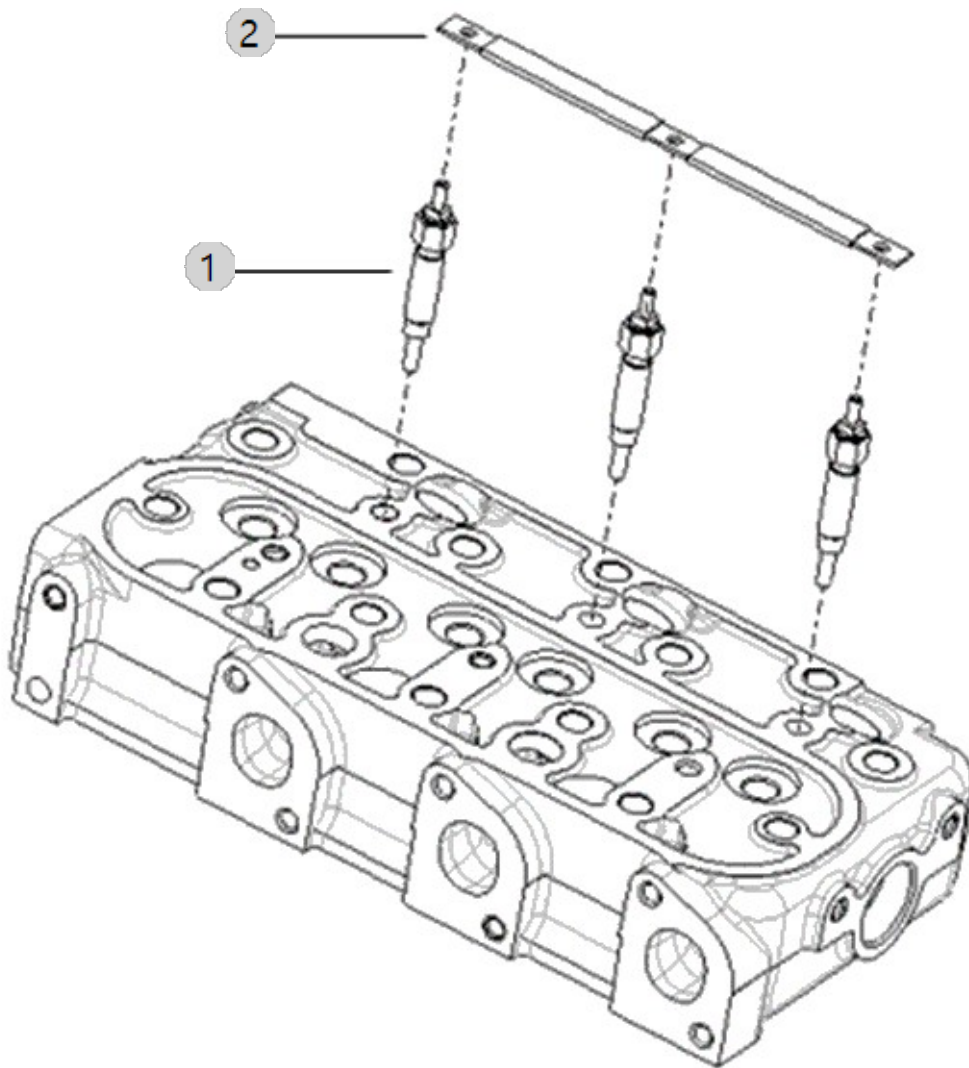
A04_003

A1700N6-ETR_5
(AB00342)

GLOW PLUG ASS'Y OPTION

Year/Month

2022-12-16



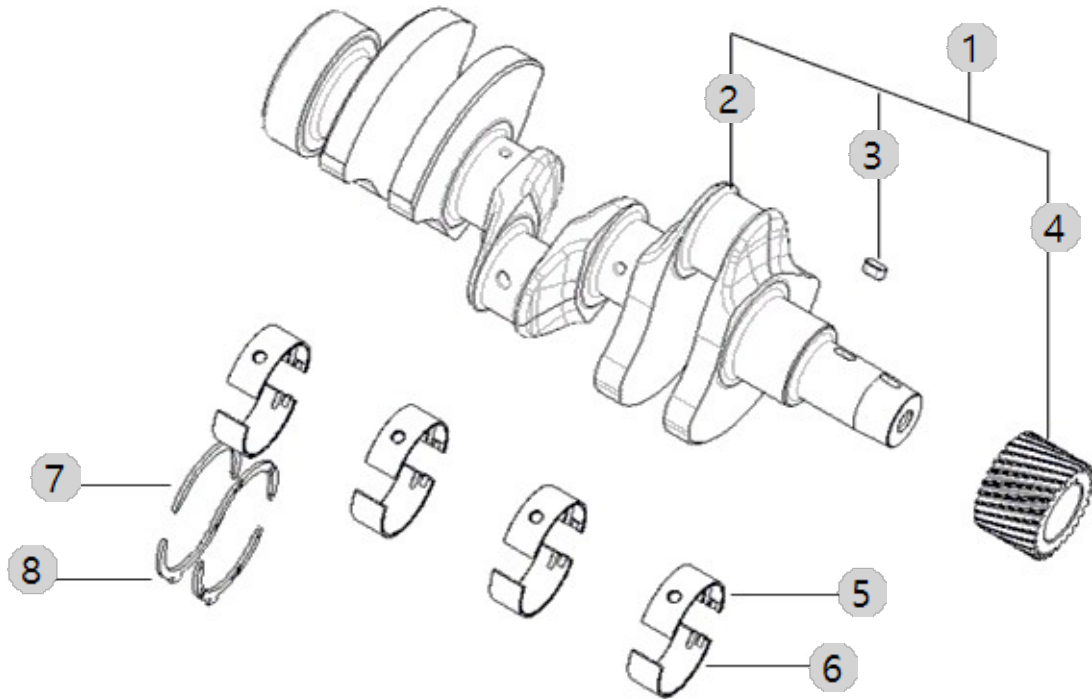
A05_003

A1700N6-ETR_5
(AB00342)

CRANK SHAFT ASS'Y OPTION

Year/Month

2022-12-16



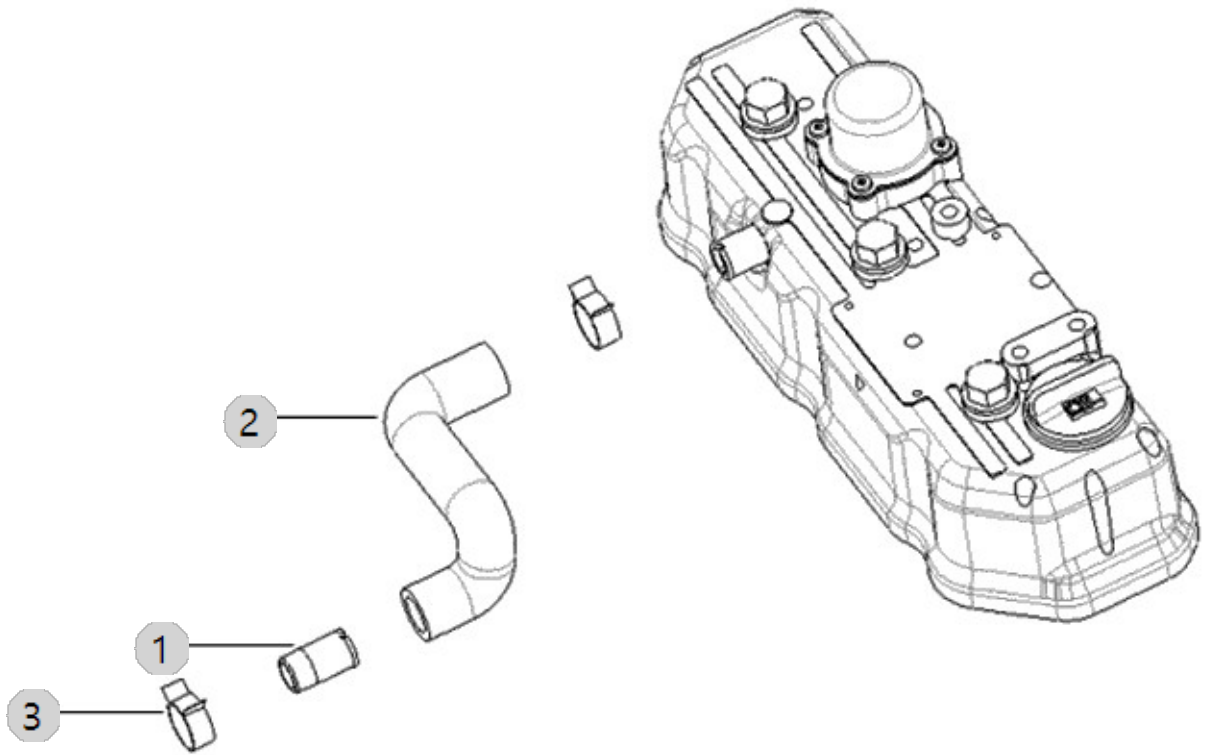
A06_002

A1700N6-ETR_5
(AB00342)

BREATHER OPTION

Year/Month

2022-12-16



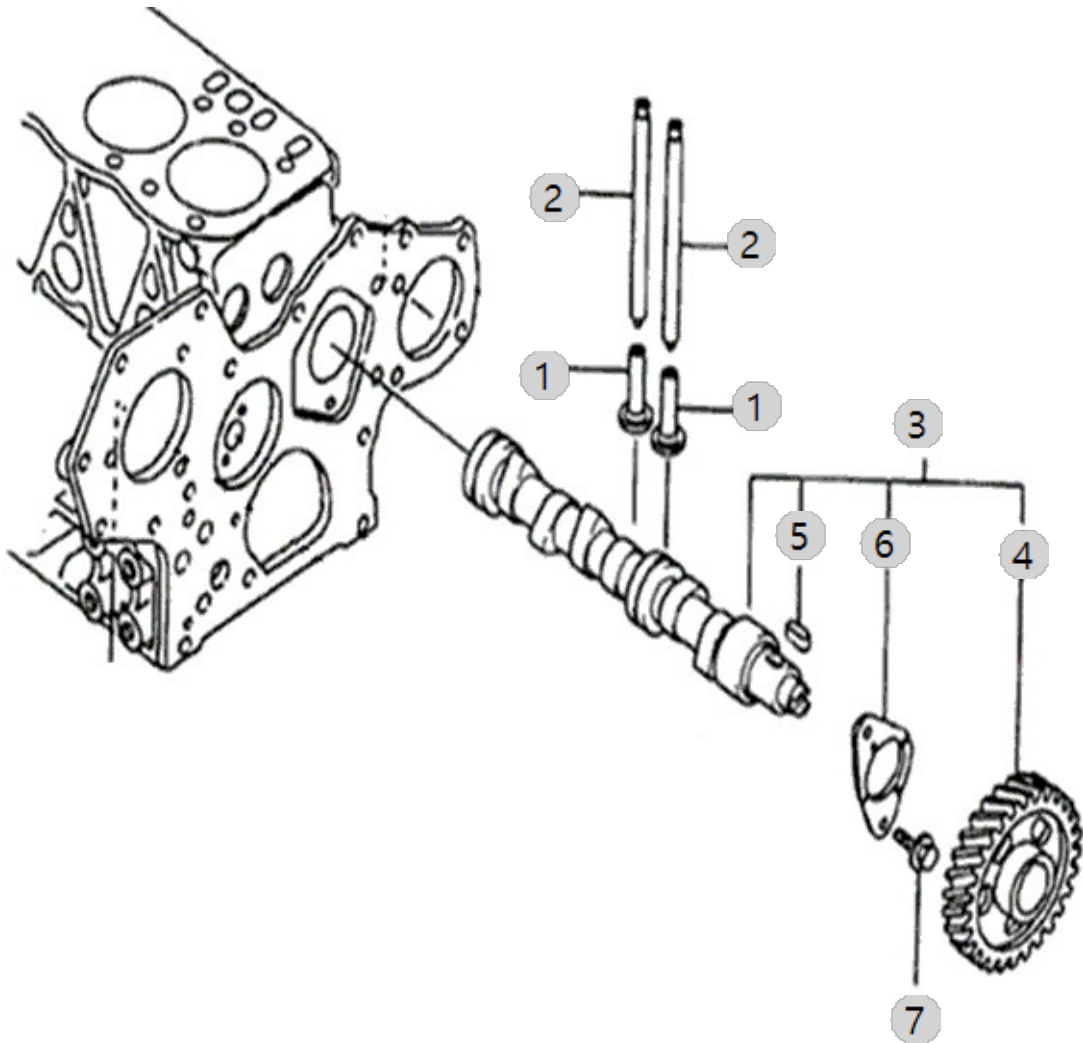
A07_003

A1700N6-ETR_5
(AB00342)

CAMSHAFT

Year/Month

2022-12-16



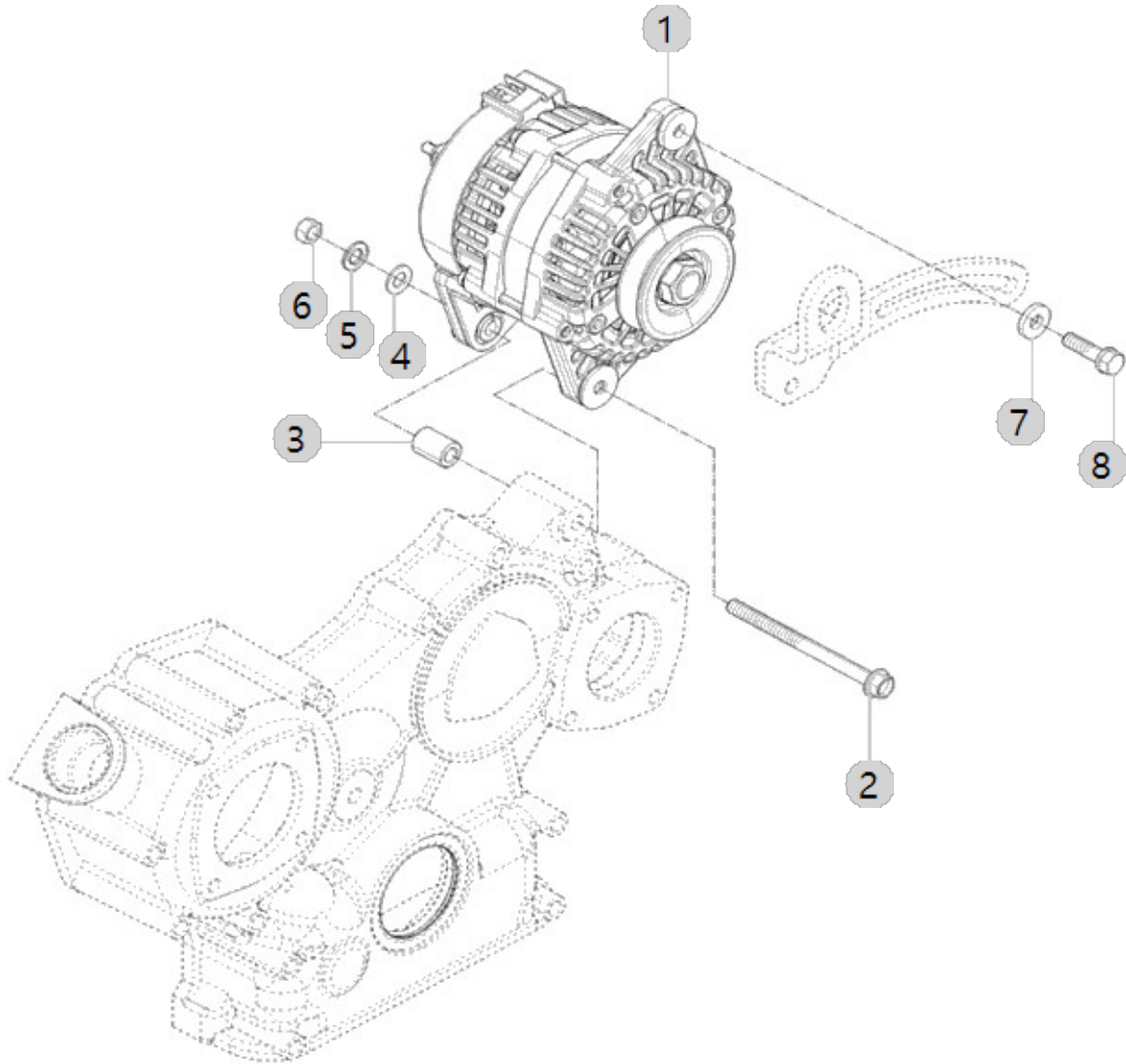
A08_003

A1700N6-ETR_5
(AB00342)

ALTERNATOR

Year/Month

2022-12-16



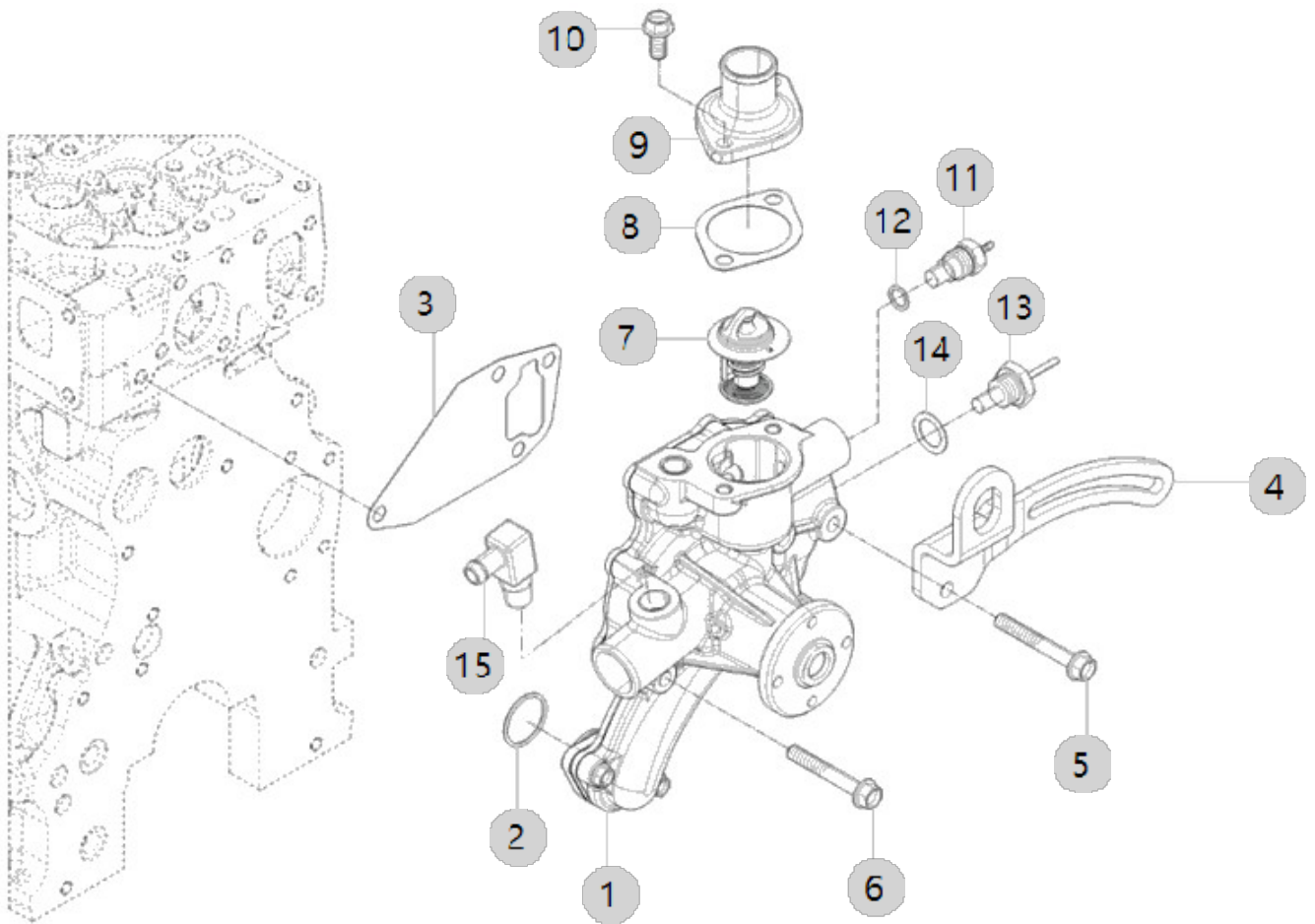
A09_003

A1700N6-ETR_5
(AB00342)

COOLING WATER PUMP

Year/Month

2022-12-16



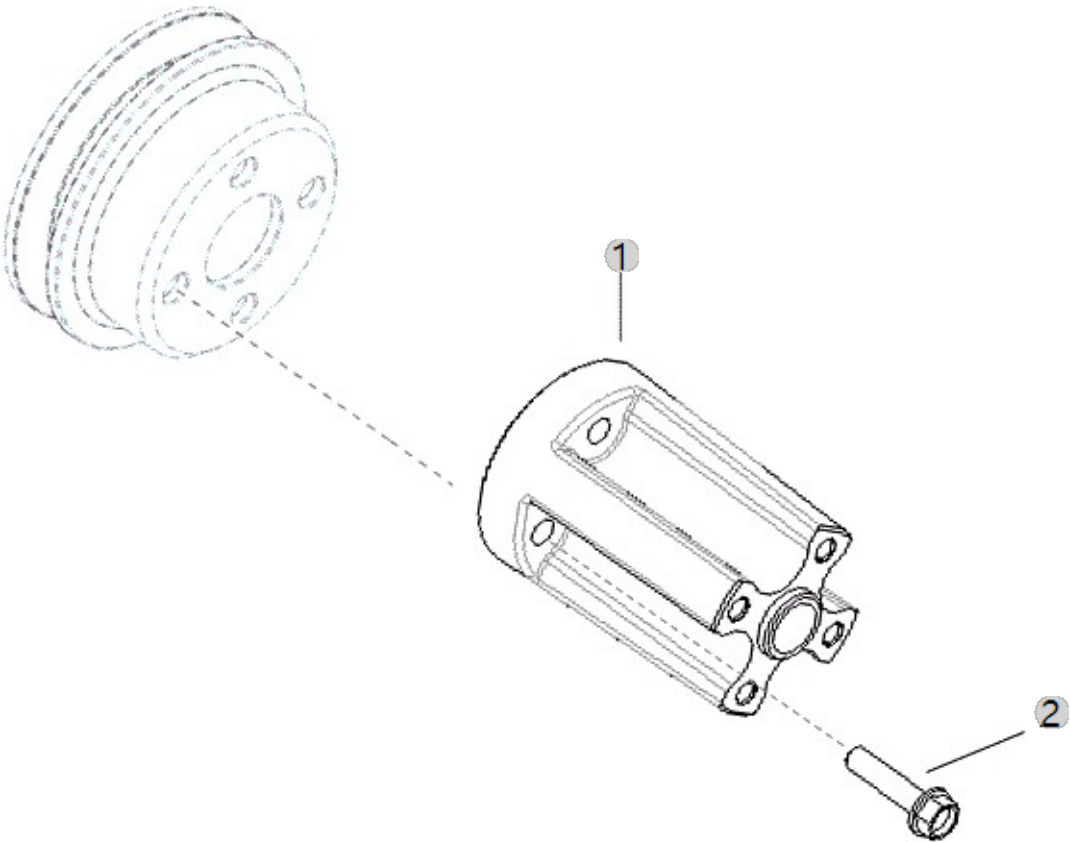
A10_004

A1700N6-ETR_5
(AB00342)

COOLING FAN SPACER

Year/Month

2022-12-16



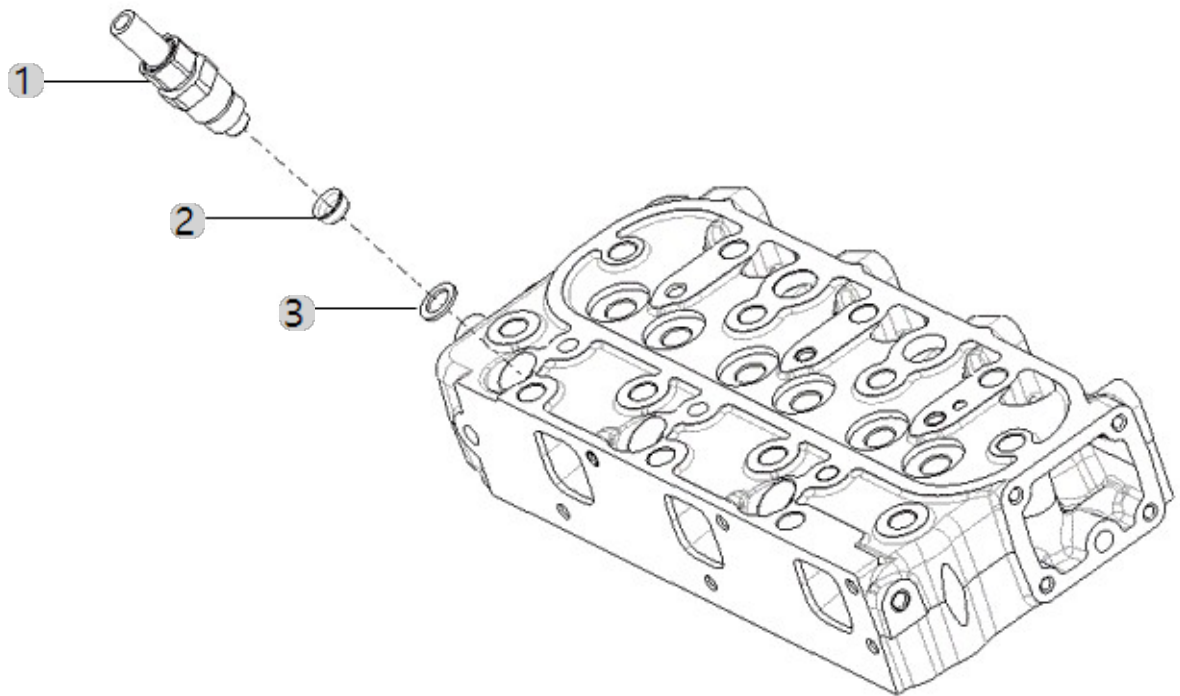
A11_004

A1700N6-ETR_5
(AB00342)

INJECTOR

Year/Month

2022-12-16



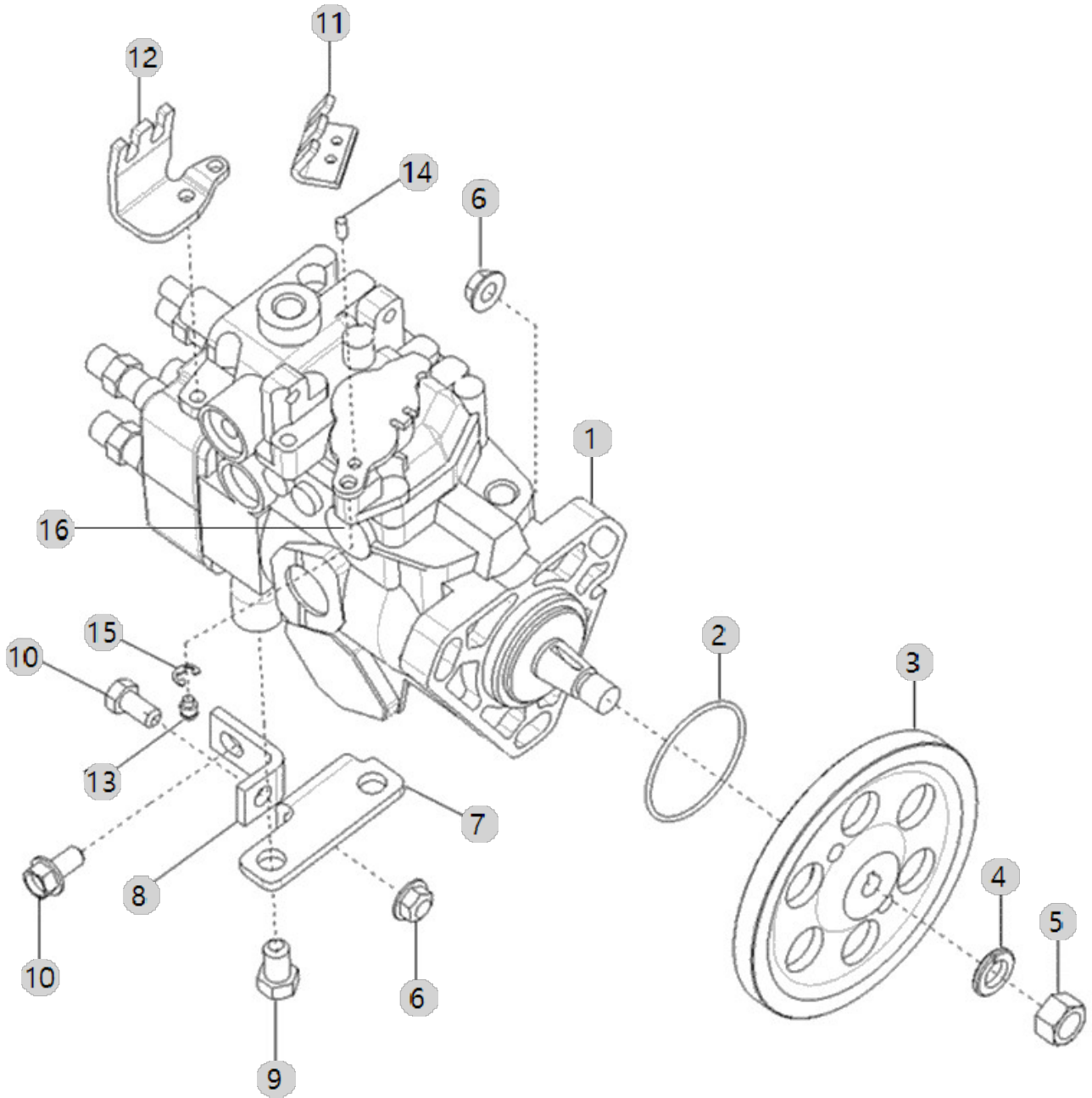
A12_005

A1700N6-ETR_5
(AB00342)

FUEL INJECTOR

Year/Month

2022-12-16



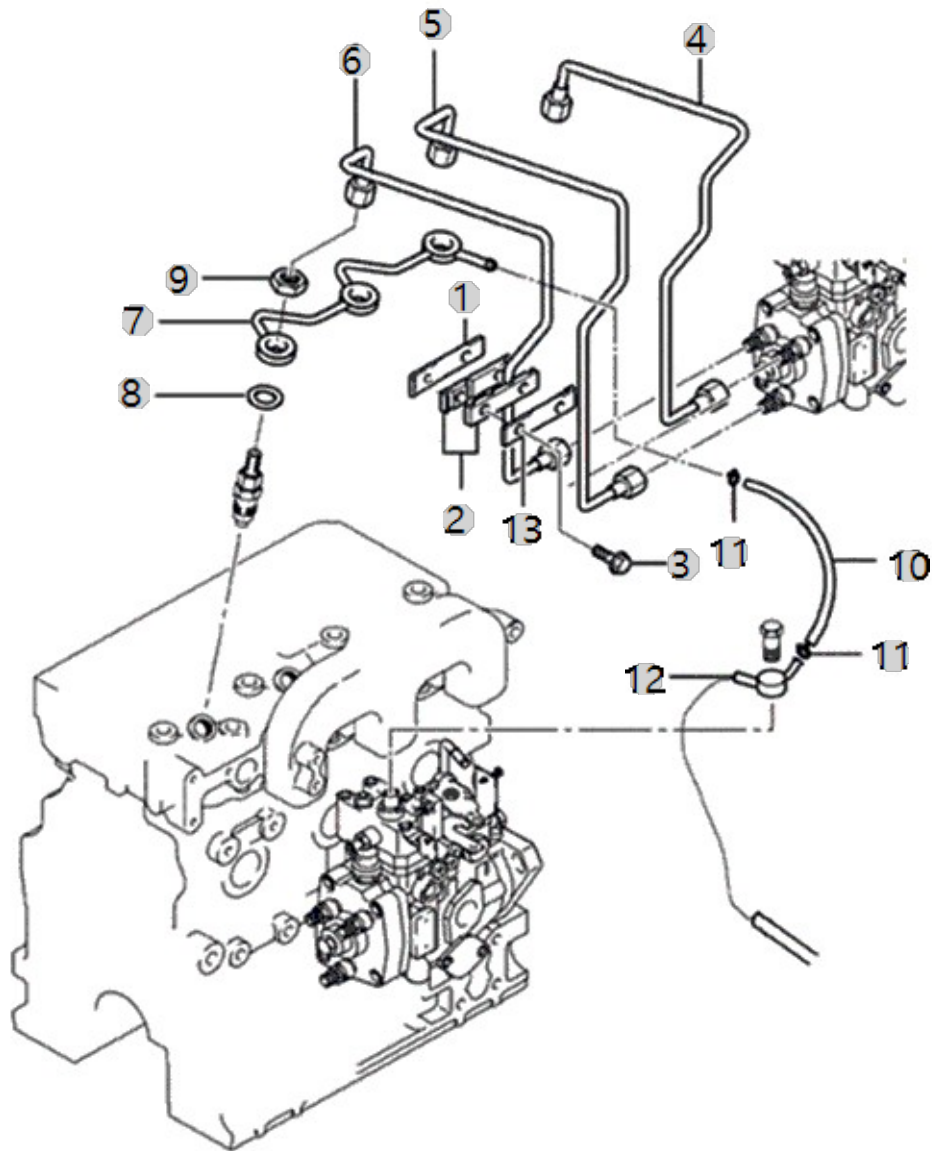
A13_002

A1700N6-ETR_5
(AB00342)

PLUMBING, FUEL

Year/Month

2022-12-16



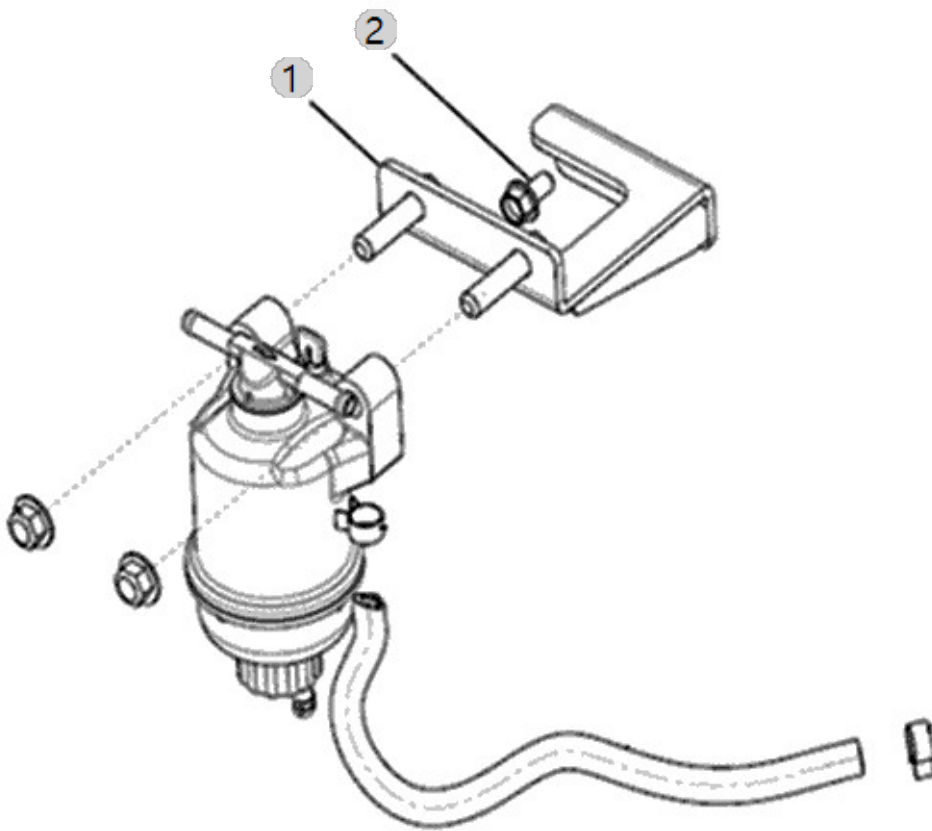
A14_001

A1700N6-ETR_5
(AB00342)

FUEL FILTER BRACKET

Year/Month

2022-12-16



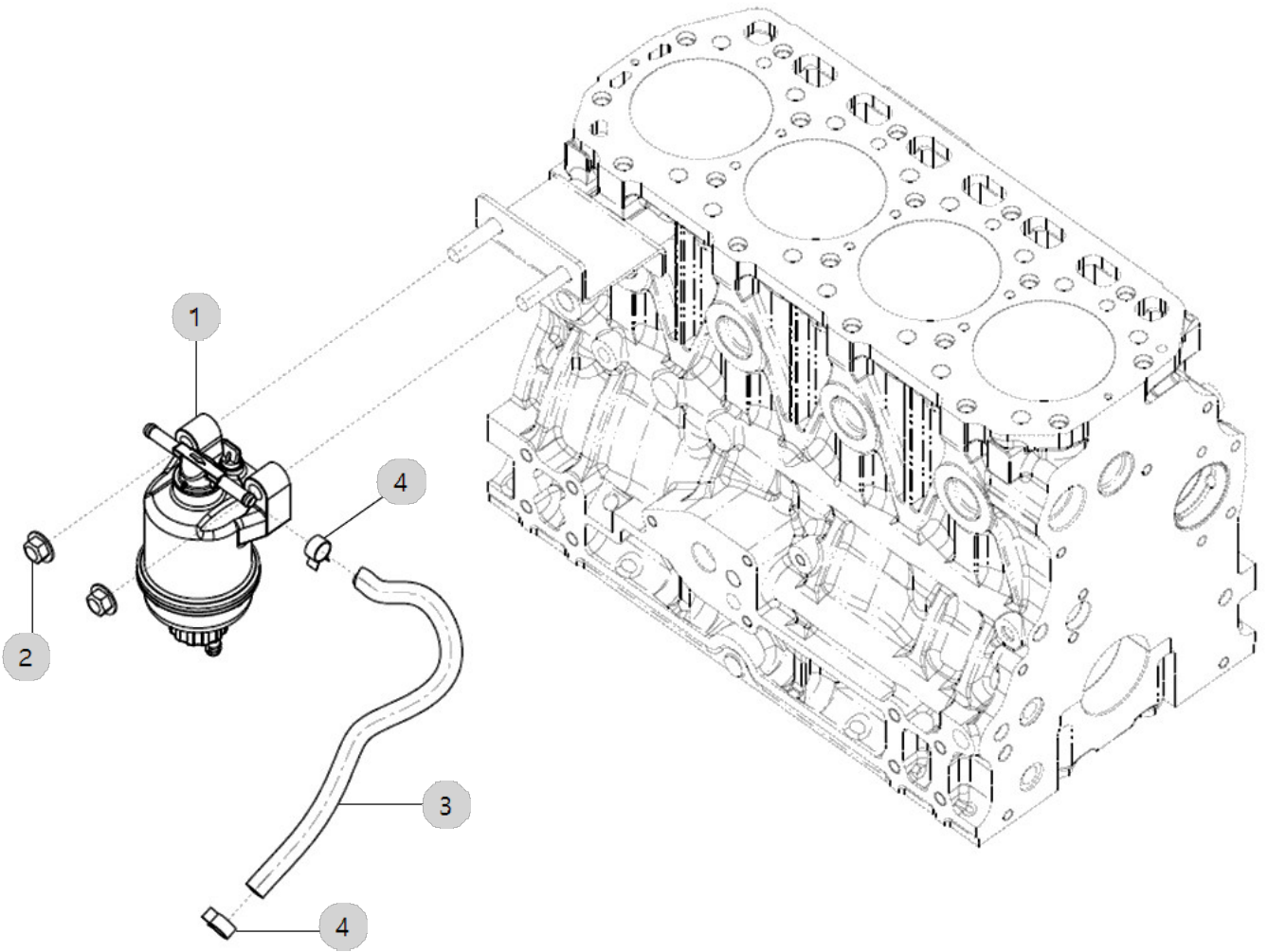
A16_018

A1700N6-ETR_5
(AB00342)

FUEL FILTER ASS'Y OPTION

Year/Month

2022-12-16



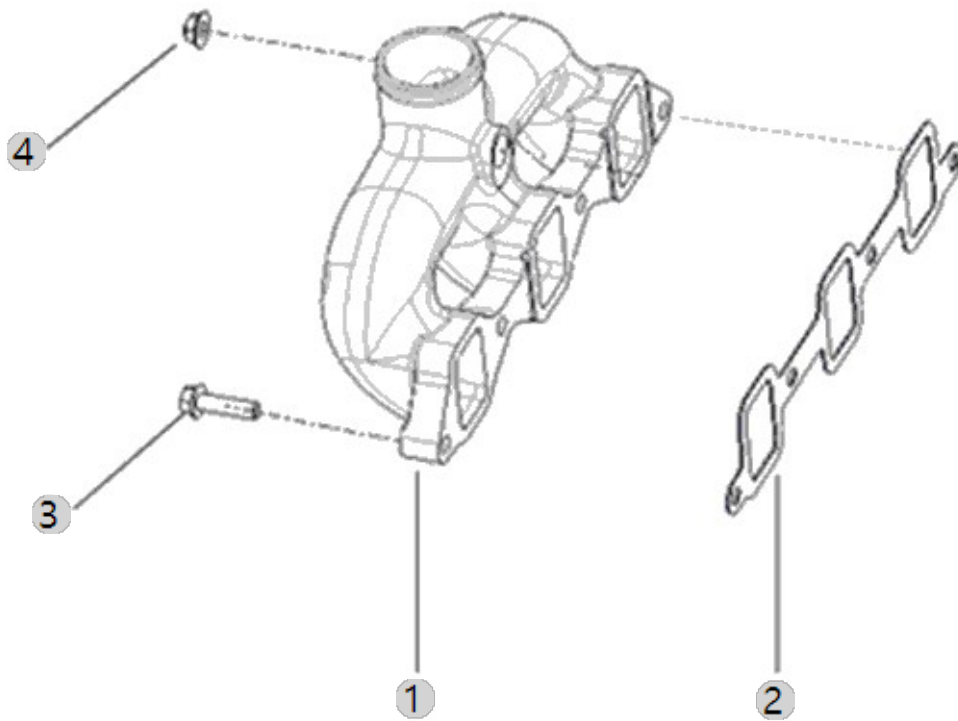
A17_005

A1700N6-ETR_5
(AB00342)

INTAKE MANIFOLD ASS'Y OPTION

Year/Month

2022-12-16



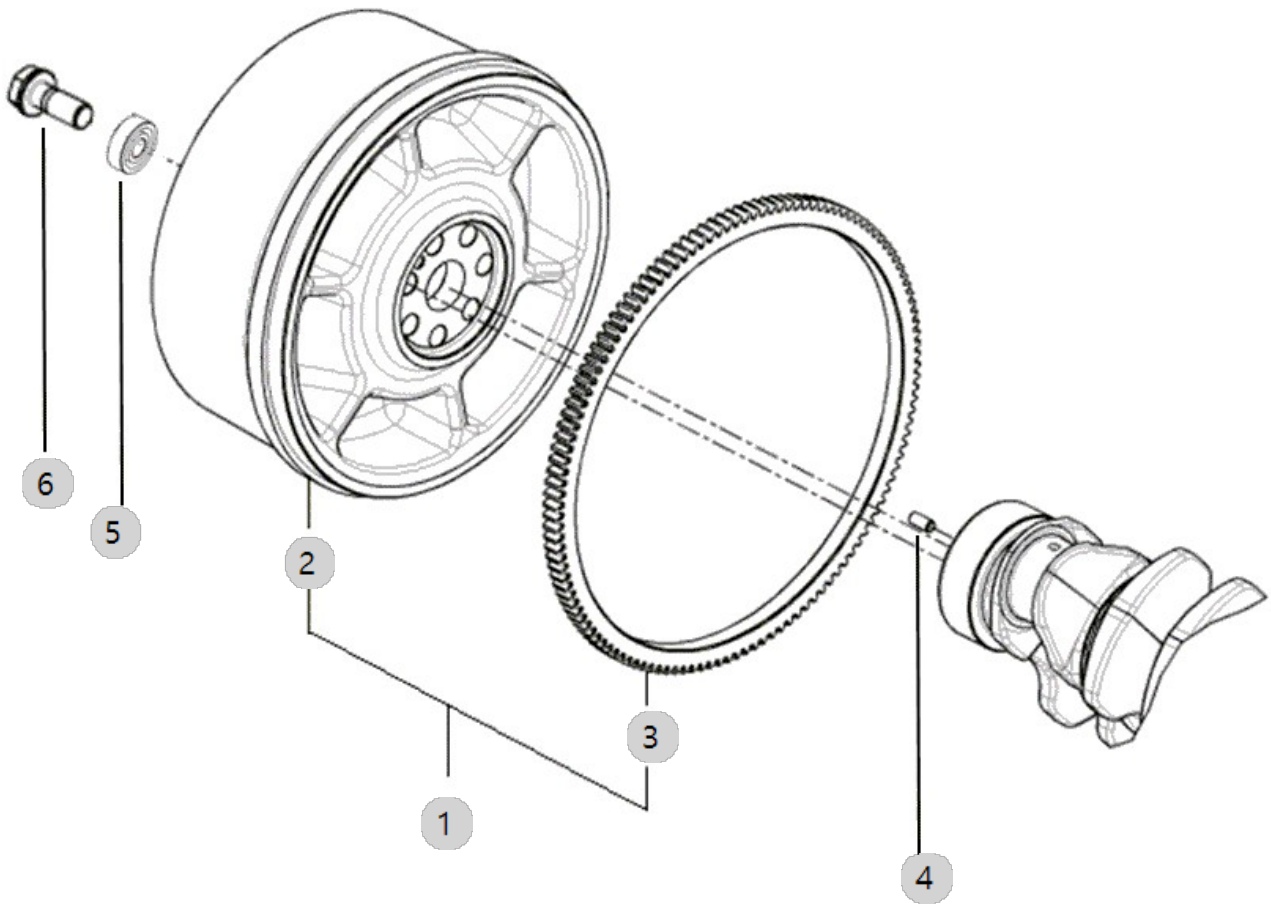
A18_005

A1700N6-ETR_5
(AB00342)

FLYWHEEL

Year/Month

2022-12-16



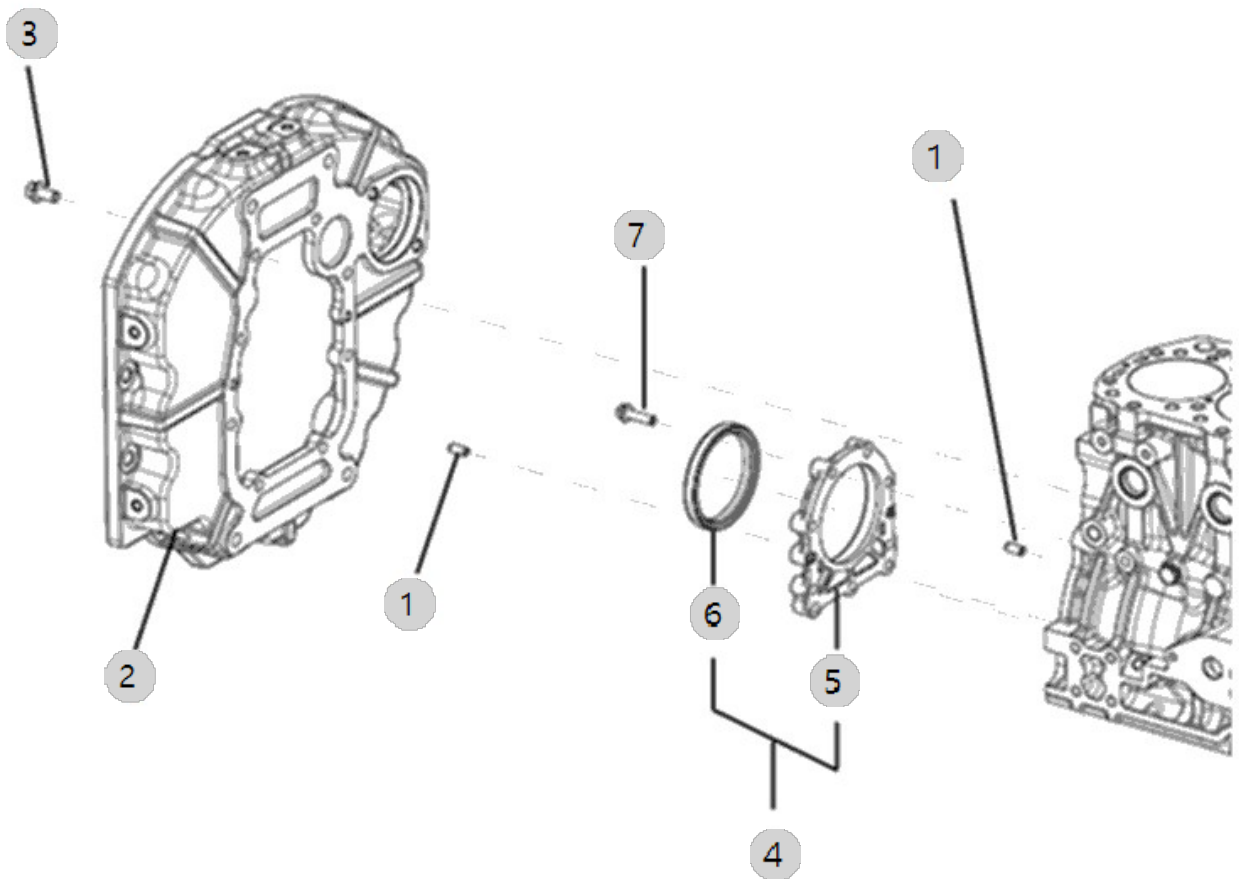
A19_005

A1700N6-ETR_5
(AB00342)

FLYWHEEL HOUSING

Year/Month

2022-12-16



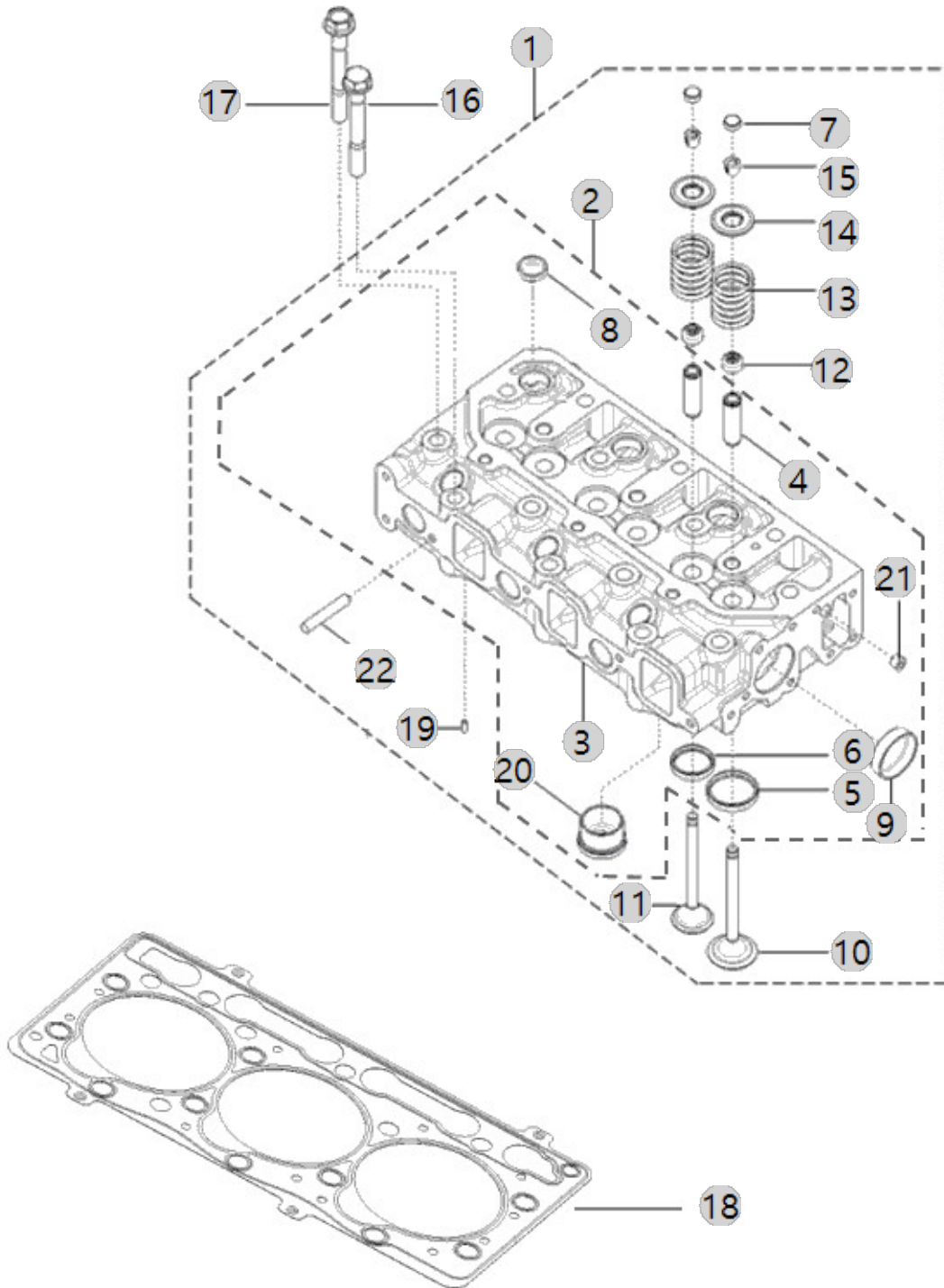
A20_009

A1700N6-ETR_5
(AB00342)

HEAD, CYLINDER

Year/Month

2022-12-16



A20_009 A1700N6-ETR_5 (AB00342)	HEAD, CYLINDER	Year/Month
		2022-12-16

순번 (NO)	부품번호 (PART NO)	품명 (PART NAME)	품명 (PART NAME)	수량 (QTY)	규격 (SPEC)	비고 (REMARK)
1	EA00004862A	실린더헤드조합 - A1700N6	CYLINDER HEAD ASSY	1		
2	HRR2201000B9	실린더헤드조합	HEAD, CYLINDER	1		
2	HRR2201000A9	실린더헤드조합	HEAD, CYLINDER	1		
3	HRR220100MA9	실린더헤드조합	HEAD, CYLINDER	1		
3	HRR220100MB9	실린더헤드	HEAD, CYLINDER	1		
4	HRA0400103B4	배기밸브가이드	GUIDE,VALVESTEM	3		
4	HRA0400103C4	배기밸브가이드	GUIDEVALVE STEM	6	D13/D8	
5	HRA0400104B4	흡기밸브시트	SEAT,ENGINEINTAKEVALVE	3		
6	HRA0400105B4	배기밸브시트	SEAT,ENGINE EXHAUST VALVE	3		
7	HK03680000B4	344,ALL, 밸브캡	CAP,VALVE	6		
8	27241-220000	캡형플러그 22	PLUG,EXPANSION	6		
9	27241-400000	캡형플러그 40 (335,ALL,PLUG40)	PLUG (D40)	2		
10	HRA0400200A4	337,ALL, 흡기밸브	VALVE,INTAKE	3		
11	HRA0400300A4	338,ALL, 배기밸브	VALVE,EXHAUST	3		
12	HA03070000A4	340,ALL, 밸브축시일	SEAL,VALVESTEM	6		
13	HRA0400700A4	341,ALL, 밸브스프링	SPRING,VALVE	6		
14	HRA0400800A4	342,ALL, 밸브스프링리테이너	RETAINER,VALVESPRING	6		
15	HRA0400900A4	343,ALL, 밸브스프링코터	COTTER,VALVE	12		
16	HRA0100700A4	347,ALL, 볼트(실린더헤드)	SCREW,HEXFLANGEHEADCAP	3	M11X1.5X92	
17	HRA0100500A4	실린더헤드 볼트	SCREW,HEXFLANGEHEADCAP	11	M11X1.5	
18	HRR0100400A2	헤드가스켓 - A1700	GASKET, CYLINDER HEAD	1		
18	HRR0100400B2	헤드가스켓	GASKET, CYLINDER HEAD	1		
19	22312-040100	평행핀	PIN, DOWEL (4-10)	2	D4X10	
20	HRU0404000A3	예연소실	CHAMBER,INJECTION	3		
21	23871-010000	테이퍼플러그	PLUG	1	PT1/8	
22	26216-080352	심음볼트(1.5D)	BOLT, STUD 8 X 35	1	M8X1.25X35	

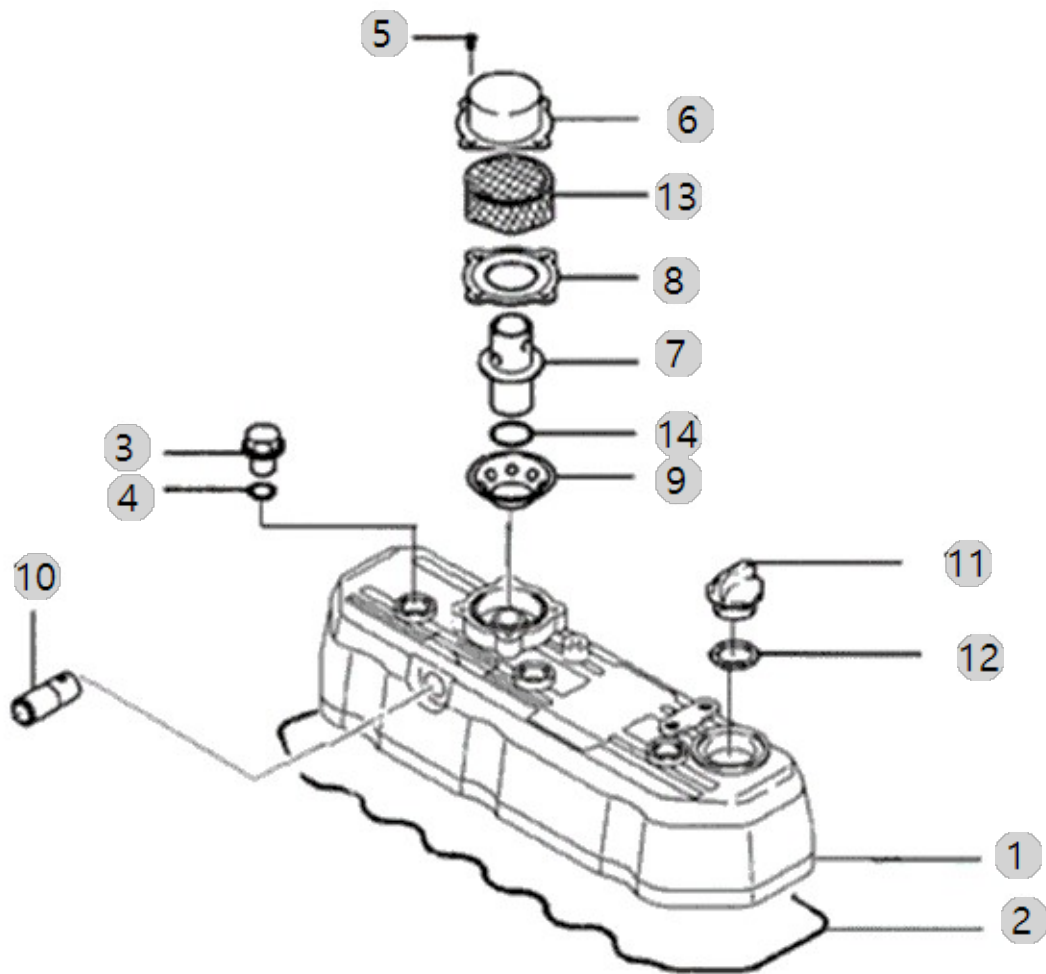
A21_002

A1700N6-ETR_5
(AB00342)

HEAD COVER

Year/Month

2022-12-16



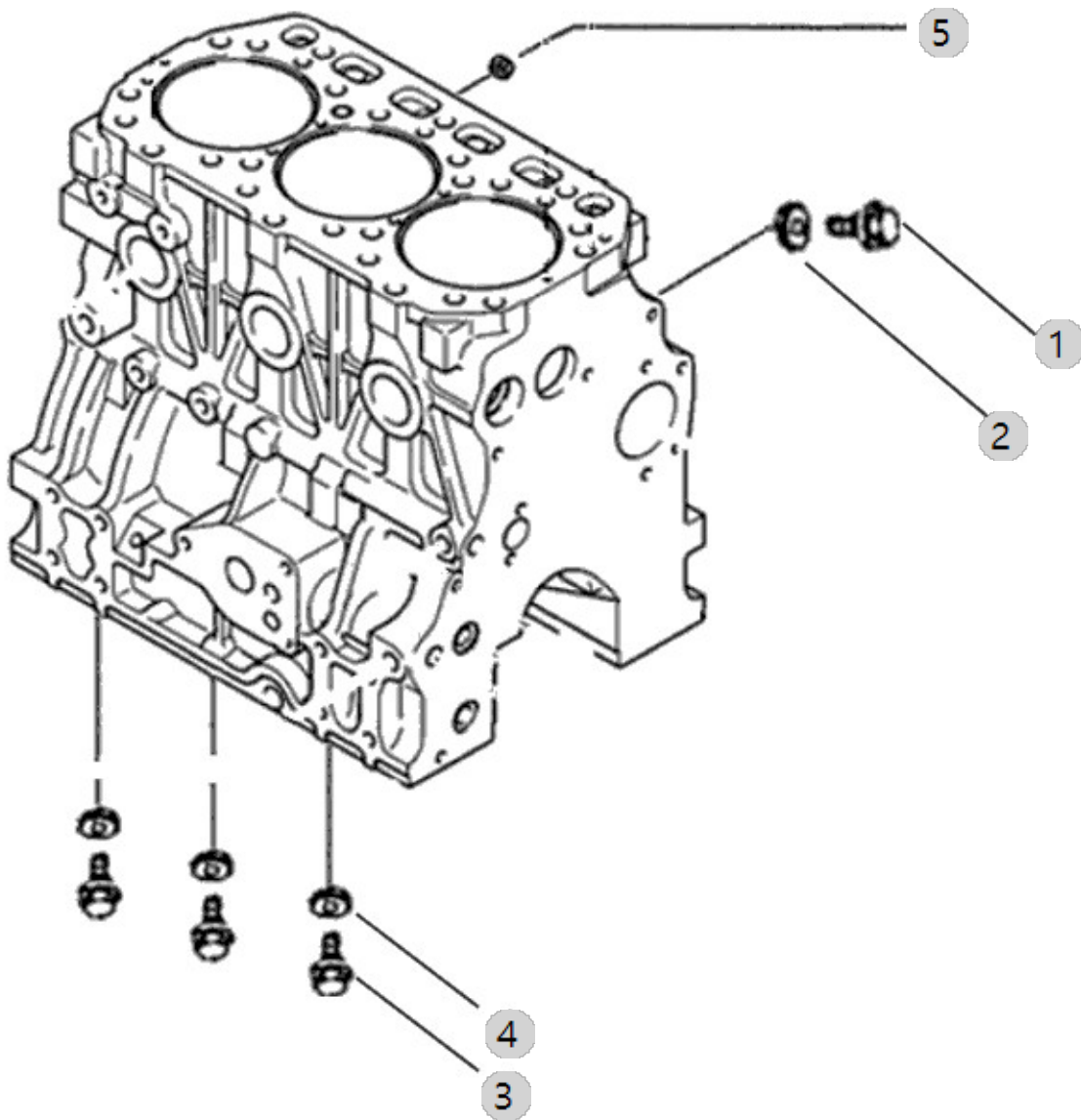
A23_003

A1700N6-ETR_5
(AB00342)

TURBOCHARGER SUPPORT ASS'Y OPTION

Year/Month

2022-12-16



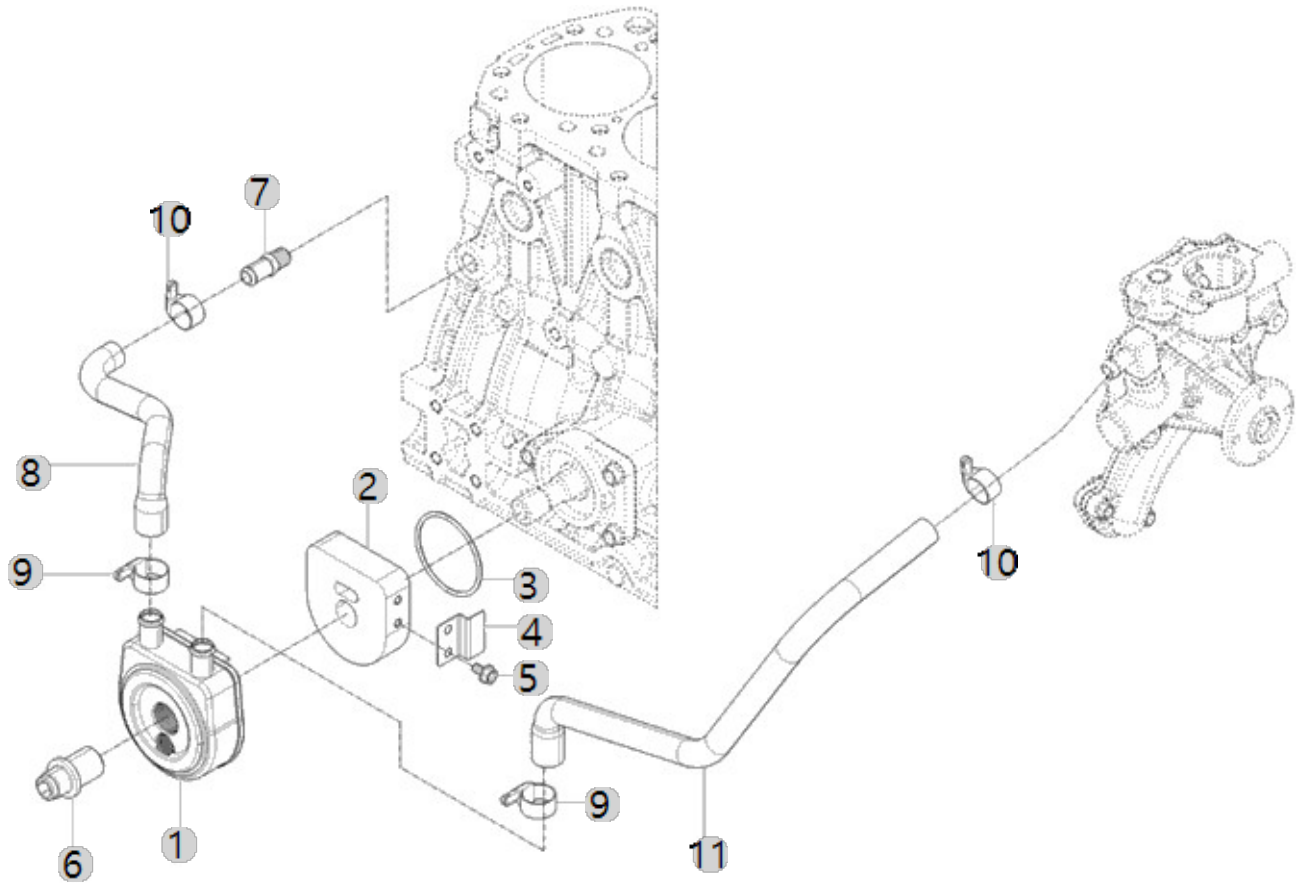
A26_001

A1700N6-ETR_5
(AB00342)

COOLER, ENGINE OIL

Year/Month

2022-12-16



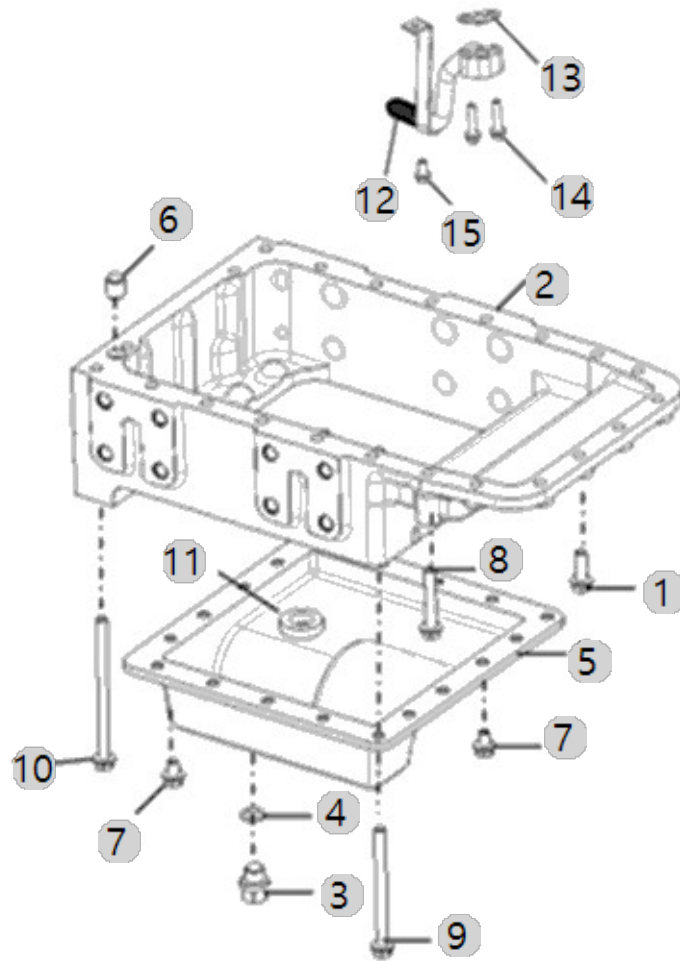
A27_004

A1700N6-ETR_5
(AB00342)

OIL PAN ASS'Y OPTION

Year/Month

2022-12-16



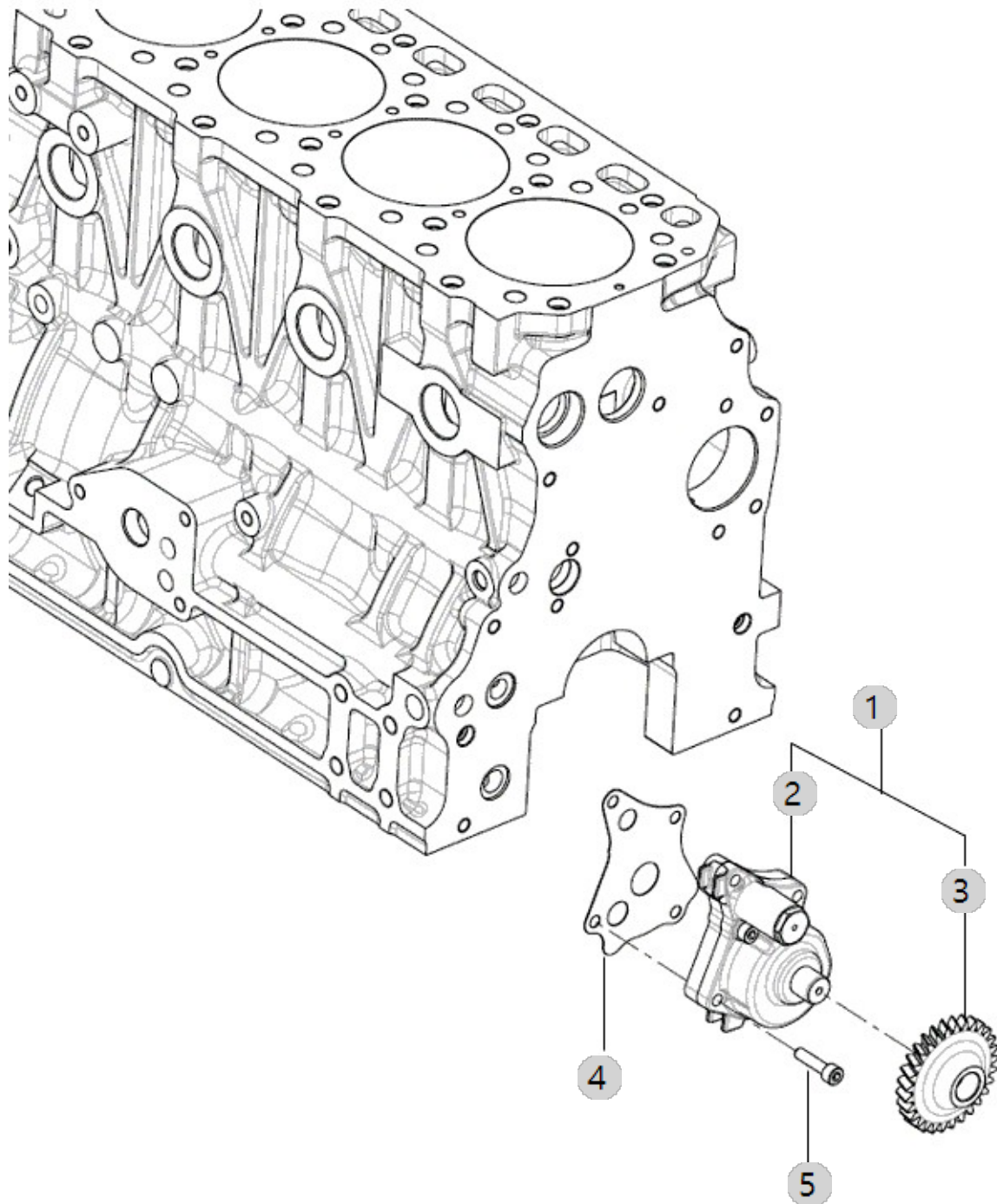
A28_001

A1700N6-ETR_5
(AB00342)

PUMP, LUBRICATING OIL

Year/Month

2022-12-16



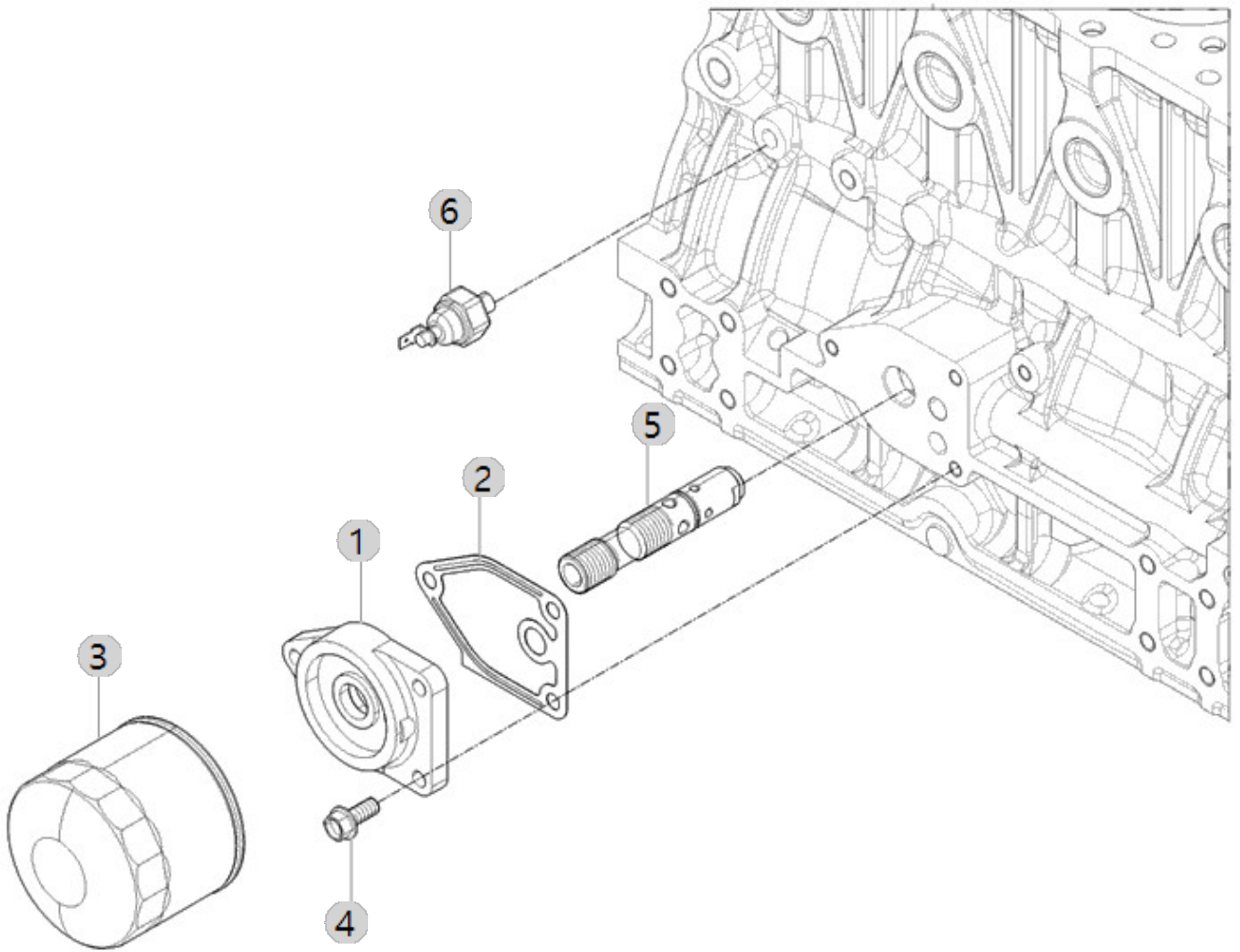
A29_005

A1700N6-ETR_5
(AB00342)

FILTER, LUBRICATING OIL

Year/Month

2022-12-16



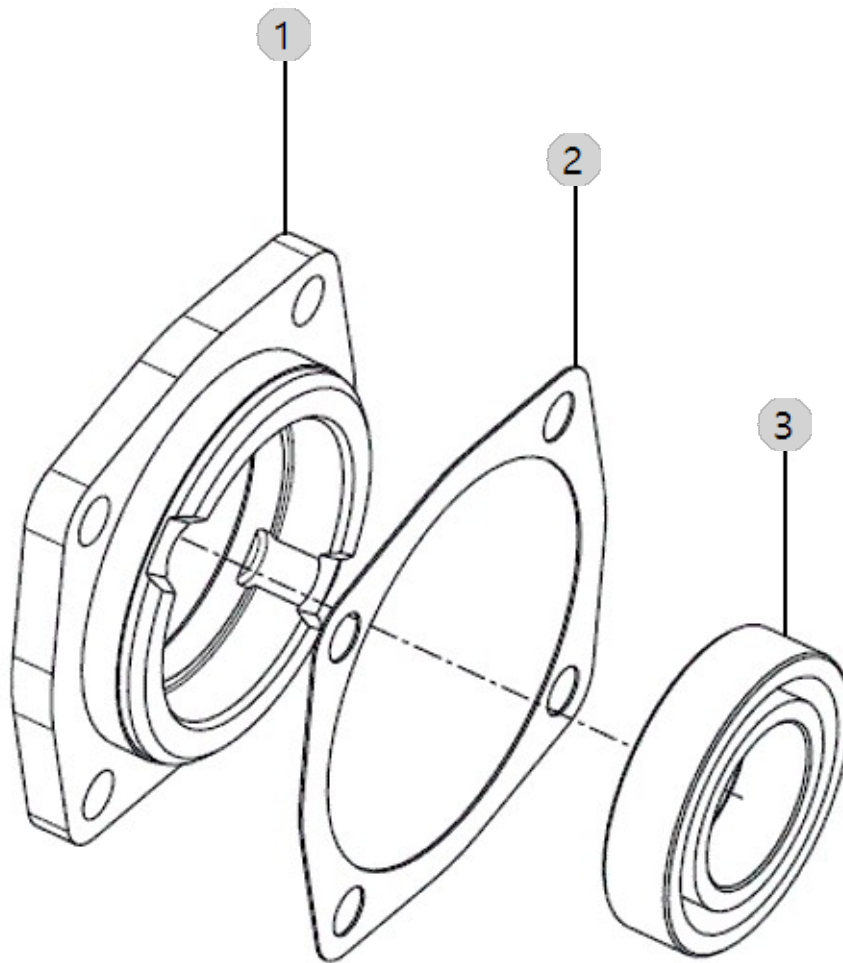
A30_003

A1700N6-ETR_5
(AB00342)

FRONT GEAR ACCESSORY DRIVE

Year/Month

2022-12-16



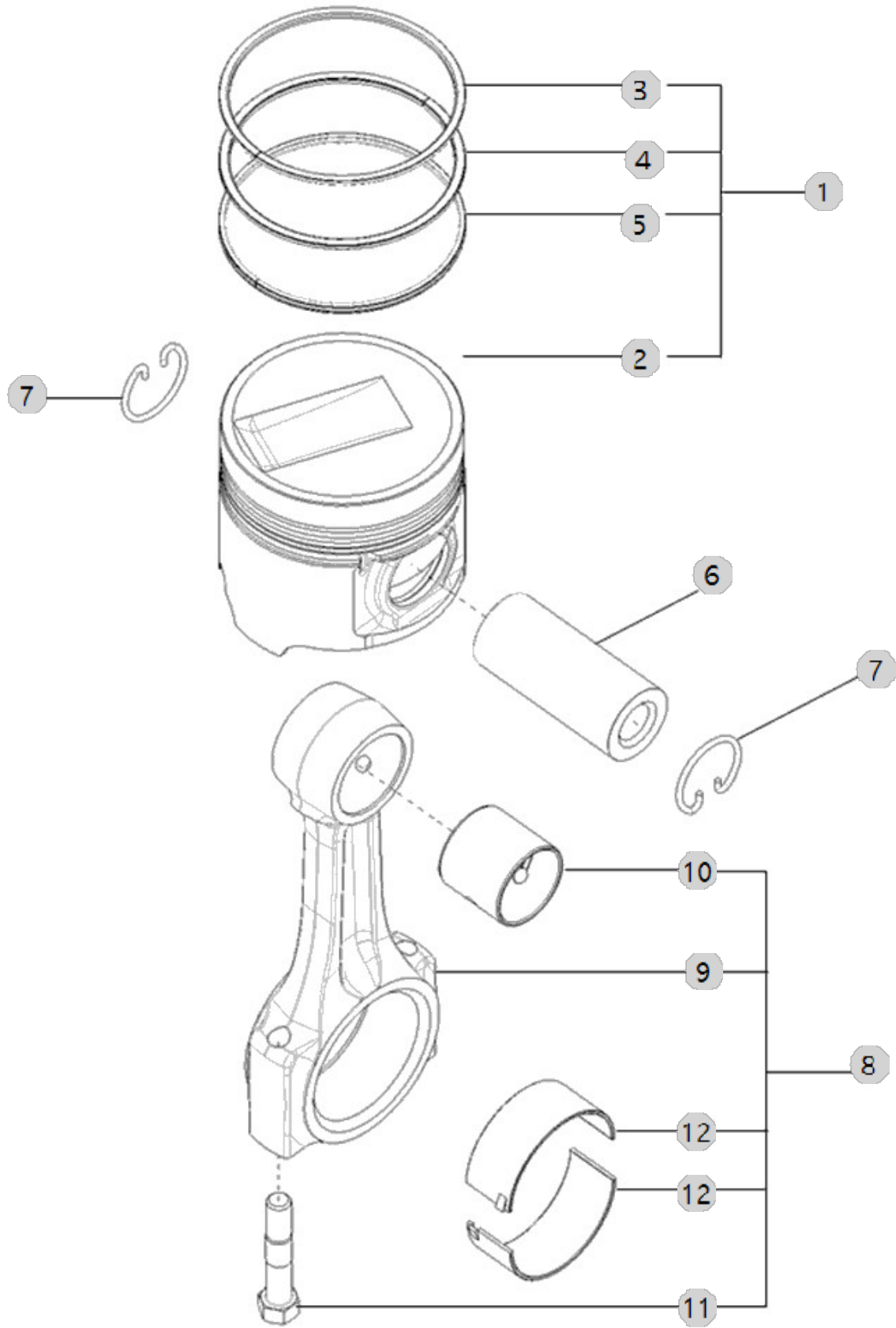
A31_003

A1700N6-ETR_5
(AB00342)

PISTON

Year/Month

2022-12-16



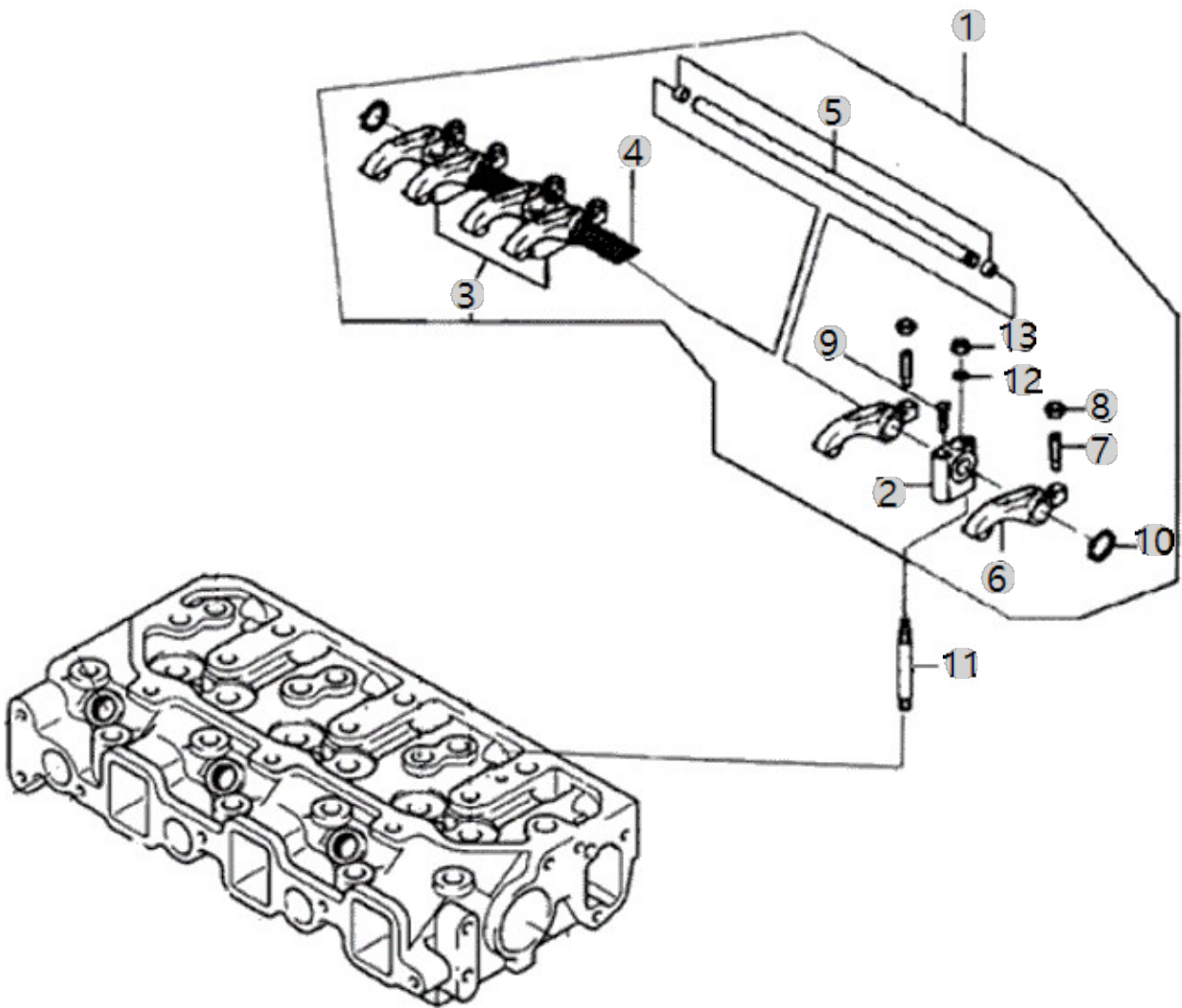
A32_002

A1700N6-ETR_5
(AB00342)

LEVER, LOCKER

Year/Month

2022-12-16



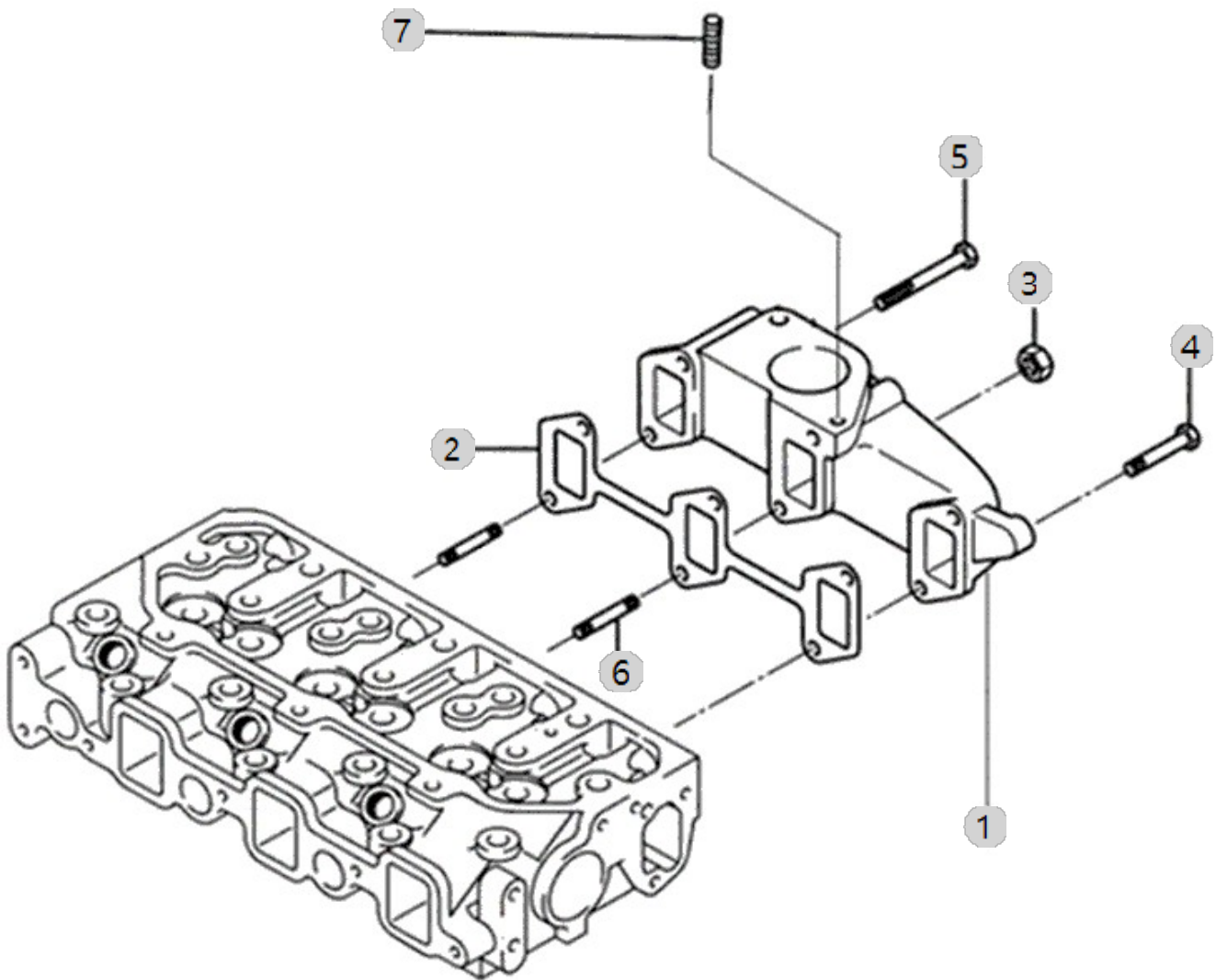
A33_007

A1700N6-ETR_5
(AB00342)

EXHAUST MANIFOLD

Year/Month

2022-12-16



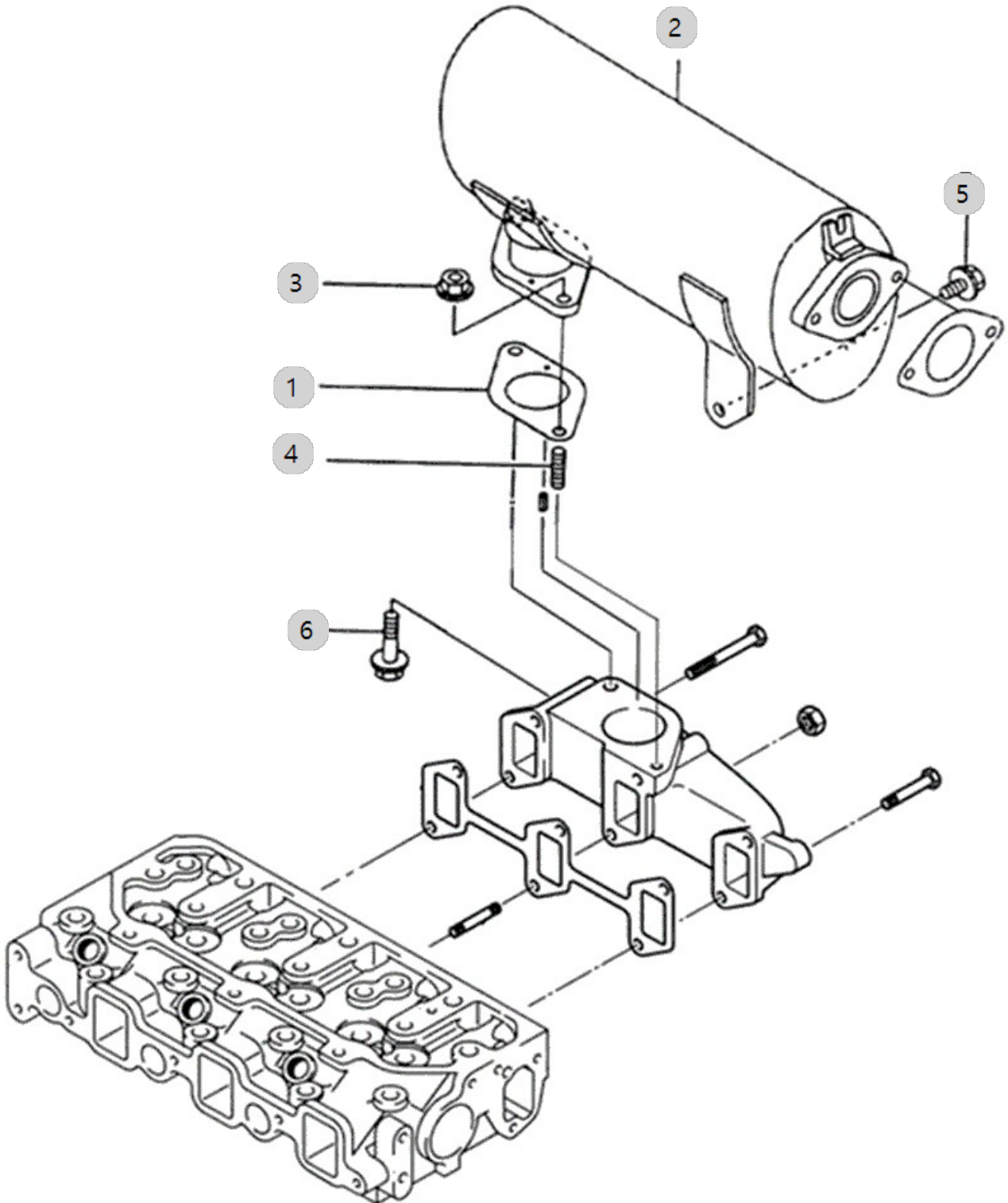
A34_004

A1700N6-ETR_5
(AB00342)

SILENCER

Year/Month

2022-12-16



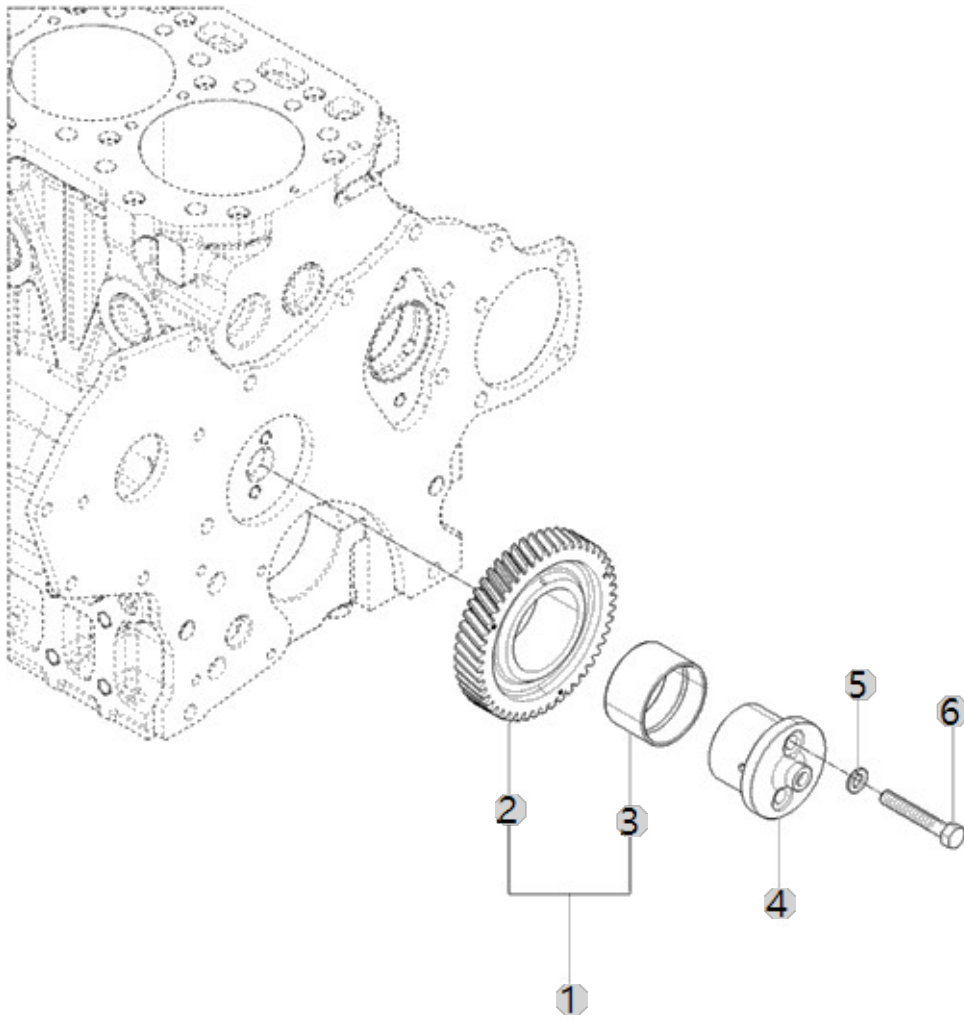
A35_002

A1700N6-ETR_5
(AB00342)

IDLE GEAR

Year/Month

2022-12-16



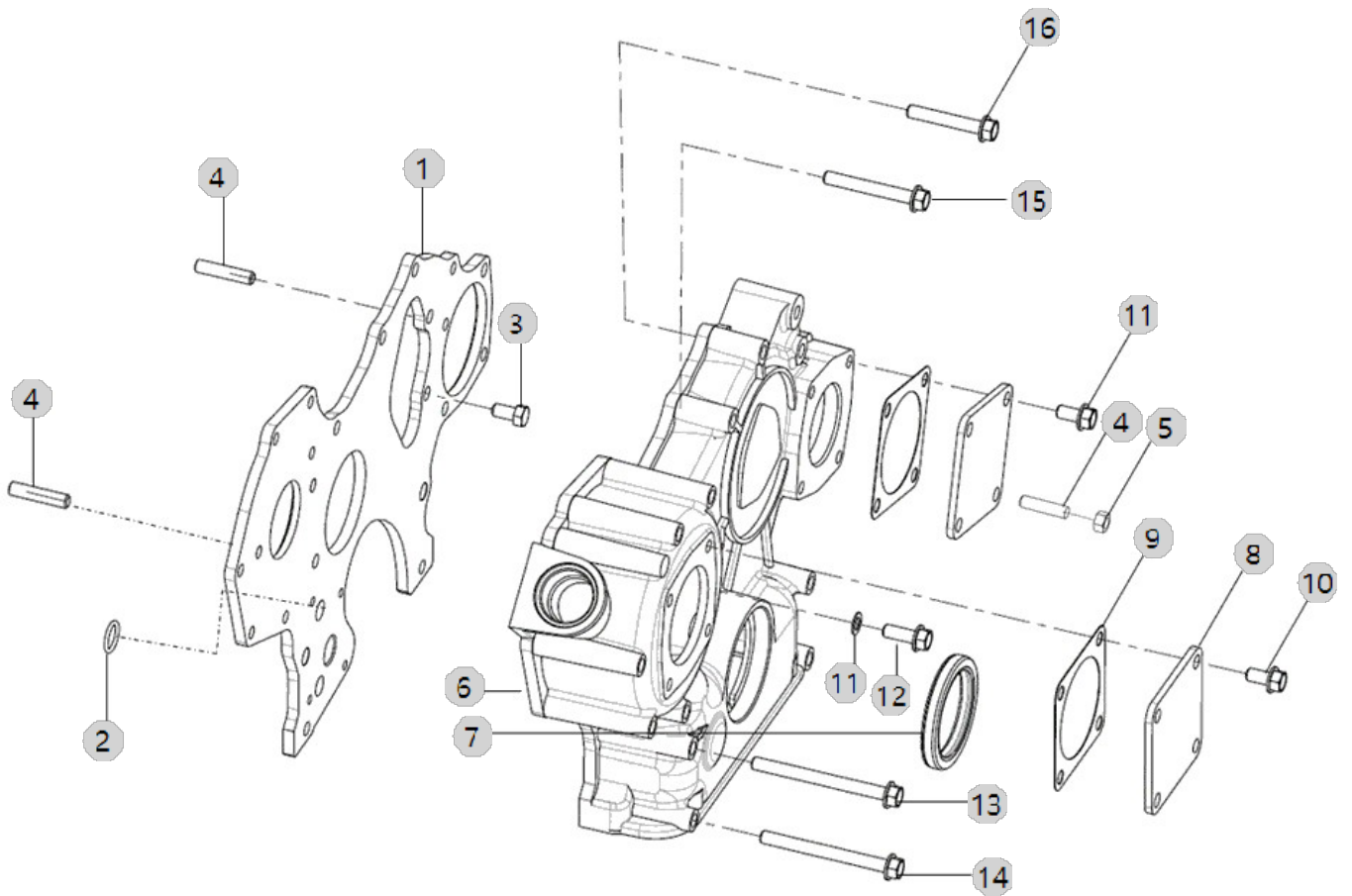
A36_002

A1700N6-ETR_5
(AB00342)

COVER, FRONT GEAR

Year/Month

2022-12-16



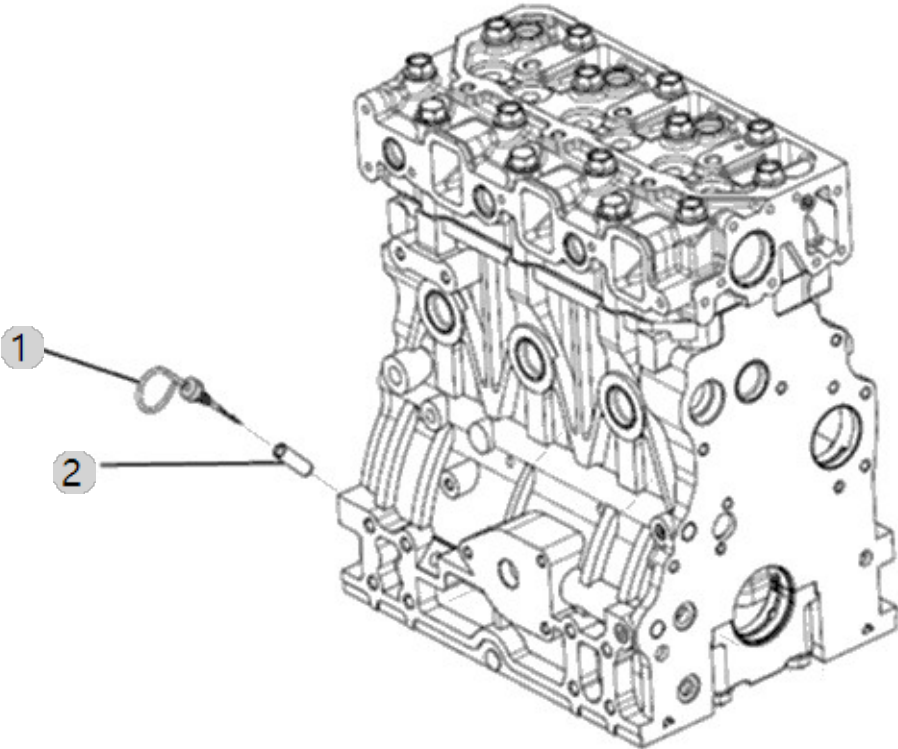
A38_004

A1700N6-ETR_5
(AB00342)

GAUGE, OIL LEVEL

Year/Month

2022-12-16



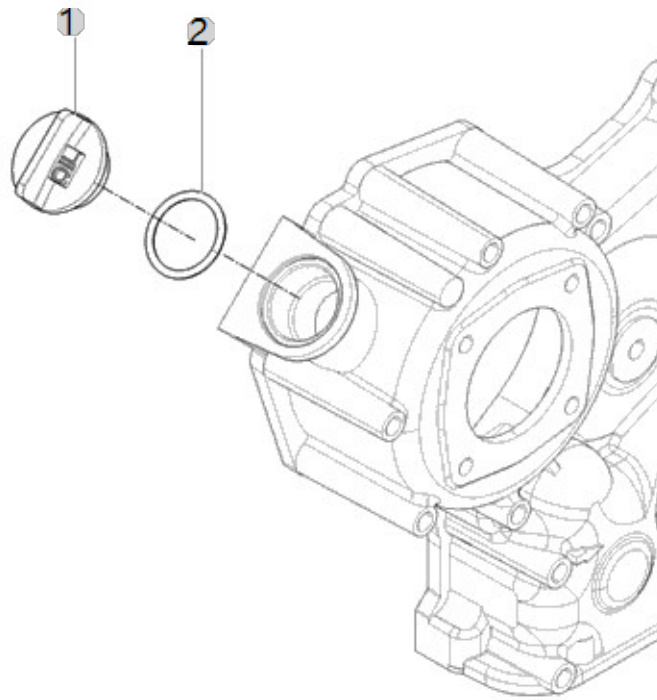
A39_001

A1700N6-ETR_5
(AB00342)

OIL FILLER CAP

Year/Month

2022-12-16



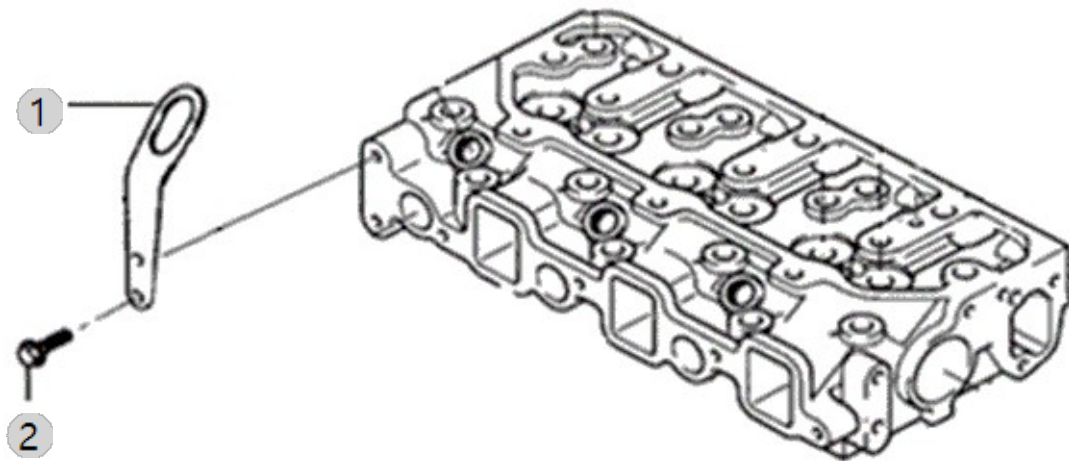
A40_003

A1700N6-ETR_5
(AB00342)

LIFT ASS'Y OPTION

Year/Month

2022-12-16



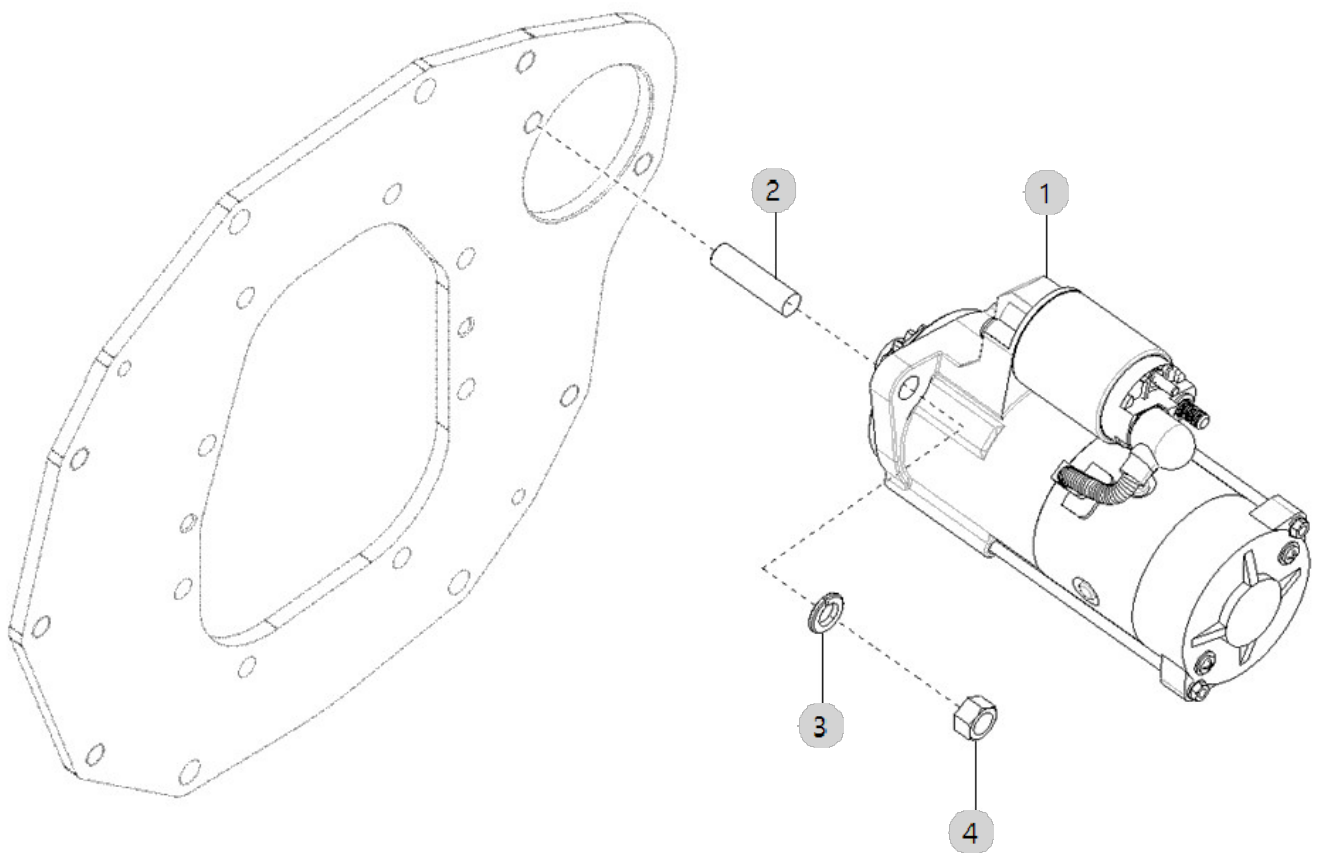
A42_003

A1700N6-ETR_5
(AB00342)

MOTER, STARTIONS

Year/Month

2022-12-16



A48_003

A1700N6-ETR_5
(AB00342)

V-BELT

Year/Month

2022-12-16

