

Parts Catalogue

Model : T654



TYM www.tym.co.kr
TONGYANG MOOLSAN CO., LTD.

Printed : 2015/05 Version : A
Part number of this book: 1570 950 010 0

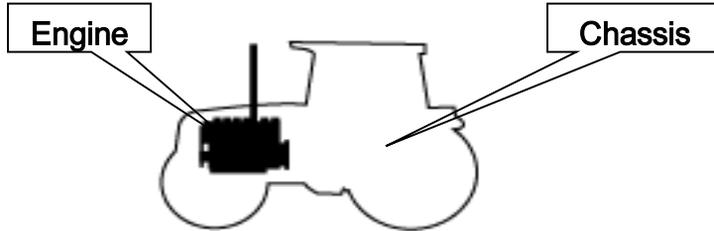
Important tips of Parts Catalogue

We thank you for your purchasing our product, manufactured under strict quality control, by gathering plenty of experiences and new technology, designed for a comfort and pleasant work.

1. Part Composition

This catalogue deals with engine and chassis.

Detailed classifications are listed in the following page.



2. For locating parts easily, Please Note:

If you know the assembly where the part is used.

- Refer to the relevant figure from the identifying group symbol illustration,
- Locate the relevant chapter
- Refer to the particular chapter desired.

3. For ordering parts

To obtain spare parts please contact your nearest dealer and give him the details listed below.

- ① Tractor Model : Tractor T653
- ② Tractor Serial Number : W050000
- ③ Part Number : 16001032000
- ④ Description : Air cleaner assembly
- ⑤ Quantity required: 1



4. For ordering PARTS CATALOGUE

This is Priced item and one is to order the same on part No. 1996 950 001 0

This supersedes all our editions.

Note) When replacing parts, please use original spare parts to be sure of the performance and the longer life of the product

※ The information in this catalogue may at any time be modified without a prior notice for the improvement of performance, please consult our spare parts dept. for the detailed inquiry.

5. How to use parts catalogue

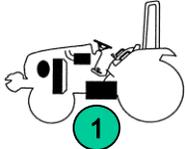
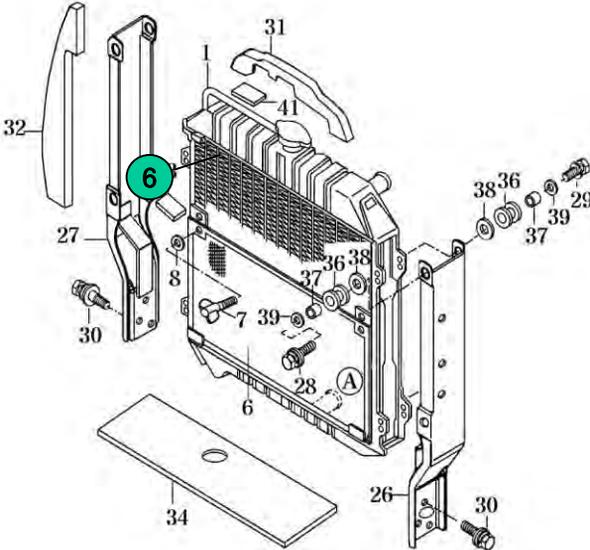
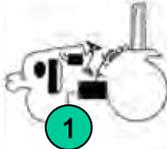
FIG 021 2	3 RADIATOR	P1 4	Year 5 2015	 1
				
NOTE	13			

FIG 021 2	3 RADIATOR	P1 4	Year 5 2015	 1				
KEY NO	PART NO	PART NAME	SPEC	QTY	REPAIR	E/G SERIAL NO	REMARKS	
023 001	14571042001	RADIATOR SET		1				
023 002	14571042101	RADIATOR SET		1				
023 003	14571042171	SHROUD		1				
6 023 006	7 1457104201HB	NET COMP 8		9	10	11	12	14
023 007	V271042012	BOLT, WING	M6X12 9	10	11	12		
NOTE	13							

- ① Group Indication : Indicate the relevant location of the part with a symbol illustration.
- ② Figure Number: Indicate the relevant section of the machine with a figure number.
- ③ Section Name : Indicate the section name of the machine
- ④ Section Page : Page number of the section in this catalogue.
- ⑤ Date : Show the Year of the section made or updated

⑥ Key number : Indicating number of each parts in the illustration.

⑦ Part Number : Unique part number maintained in our system

The part number starting with V or M means it is TYM s standard part

The alphabet at the end of part number means the status of material or the color of paint

Legend : M:Machining, DG:Dark Gray, BR:Bright Red, SW:Summer White, PB:Pure Black, GB:Glossy Black, SR:Super Red, MS:Metallic Silver DD:Heat proof Black, TY: Tangerine Yellow etc.

⑧ Description : Description of a part, Abbreviation means as follows.

- Indicate the mixture condition of a part

ASSY : Assembly with a mixture of several parts, so can be broke up retaining their original form

COMP : Assembly with a mixture of several parts, but can not be broke up retaining their original form

SUB : mean the same as ASSY but used in lower level in aid.

SET : Part consist of ASSY, COMP, and part(s) as a group

- Indicate the location of a part

LH: Left, RH: Right, FR: Front, RR: Rear, UPR: Upper, LOW: Lower

⑨ Type : Type of the standard items like bolt or nut

⑩ Quantity : Total quantity of the part referred to in the page.

Symbol below indicate options. So, show the quantity of each option.

Note) AR means as requested quantity.

⑪ Repair Parts consumption frequency class: indicate the level of a part in aid of stocking spares, anticipating the service requirements.

A :Fast moving part(frequently required)

B :Medium moving part (sometimes required)

C :Slow moving part(rarely required)

⑫ Modification :

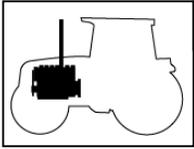
Year/Month~ : From which the change starts

~ Year/Month : To which the part installed

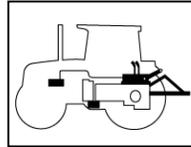
⑬ Notes : explain some reference data

⑭ Remark : indicate reference data or abbreviation in the content.

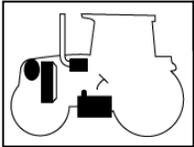
ENGINEERING GROUP INDEX



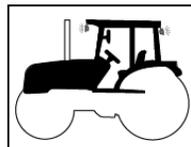
1 ENGINE



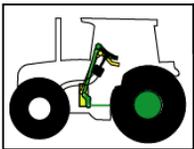
6 HYDRAULICS & 3-POINT LINK



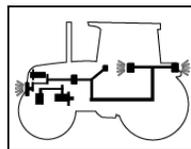
2 ENGINE ACCESSORIES & CONTROL



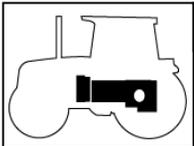
7 SHEET METAL & CABIN



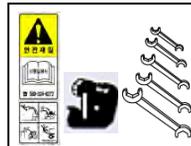
3 CLUTCH, BRAKE, STEERING



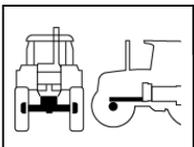
8 ELECTRICALS & HARNESS



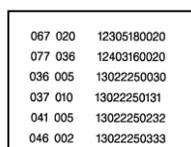
4 TRANSMISSION & REAR AXLE



9 WEIGHT, LABEL, TOOLS



5 FRONT AXLE, SUPPORTER & DRIVE SHAFT



10 NUMERICAL INDEX

067 020	12305180020
077 036	12403160020
036 005	13022250030
037 010	13022250131
041 005	13022250232
046 002	13022250333

CONTENTS

ENGINE

1 ENGINE

FIG 01	0512 4184, 0512 4259, 0512 4281, 0512 4051-----	04
FIG 02	0512 4368-----	06
FIG 05	0512 4036, 0512 4130, 0512 4238, 0512 4321-----	08
FIG 06	0512 4003-----	10
FIG 07	0512 4005-----	12
FIG 08	0512 4312, 0512 4050, 0512 4246-----	14
FIG 09	0512 4044, 0512 4320, 0512 4406-----	16
FIG 10	0512 4284-----	18
FIG 11	0512 4004, 0512 4045, 0512 4046-----	20
FIG 14	0512 4027-----	22
FIG 15	0512 4120, 0506 4400, 0512 4000-----	24
FIG 16	0512 4261-----	26
FIG 17	0512 4052-----	28
FIG 19	0512 4047-----	30
FIG 20	0512 4224-----	32
FIG 21	0512 4009, 0512 4008, 0512 4299-----	34
FIG 22	0512 4345, 0512 4392-----	36
FIG 27	0511 8909-----	38
FIG 37	0512 4331-----	40
FIG 38	0512 4055-----	42
FIG 41	0512 4143, 0512 4058, 0512 4097, 0512 4257-----	44
FIG 43	0512 4384-----	46
FIG 44	0512 4062, 0512 4256, 0512 4393, 0512 4400-----	48
FIG 48	0511 7723, 0512 4011, 0512 4098, 0512 4127, 0512 4292-----	50
FIG 48	0512 4128, 0512 4293, 0512 4334, 0512 4338, 0512 4343-----	52
FIG 51	0512 4060, 0512 4104, 0512 4300, 0512 4329-----	54
FIG 63	0512 4010-----	56
FIG 83	0512 4176, 0512 4180, 0512 4251, 0512 4337, 0512 4339, 0512 4340, 0512 4344-----	58
FIG 90	0512 4355-----	60

CHASSIS

2 ENGINE ACCESSORIES & CONTROL

FIG 201 AIR CLEANER-----	66
FIG 202 RADIATOR-----	68
FIG 203 MUFFLER & EXHAUST PIPE -----	70
FIG 204 FUEL TANK-----	72
FIG 205 FUEL FILTER & FUEL PUMP-----	74

3 CLUTCH,BRAKE,STEERING

FIG 301 CLUTCH-----	80
FIG 302 CLUTCH PEDAL-----	82
FIG 303 BRAKE-----	86
FIG 304 BRAKE PEDAL & LINK -----	88
FIG 305 FORNT WHEEL-----	90
FIG 306 REAR WHEEL-----	92
FIG 307 POWER STEERING WHEEL-----	94
FIG 308 POWER STEERING VALVE-----	96
FIG 309 POWER STEERING CYLINDER-----	98
FIG 310 HAND BRAKE & BRAKE-----	98

4 TRANSMISSION & REAR AXLE

FIG 401 TRANSMISSION FRONT CASE -----	104
FIG 402 FORWARD & BACKWARD GEARS -----	106
FIG 403 CHANGE GEARS -----	108
FIG 404 REVERSE GEARS -----	110

FIG 405 P.T.O DRIVE SHAFT -----	112
FIG 406 MAIN CHANGE LEVER -----	114
FIG 407 REVERSE CHANGE LEVER -----	116
FIG 408 TRANSMISSION MID CASE -----	118
FIG 409 TRANSMISSION REAR CASE -----	120
FIG 410 SUB CHANGE GEARS -----	122
FIG 411 SUB CHANGE SHIFTER -----	124
FIG 412 CREEP CHANGE -----	126
FIG 413 DRIVE GEARS -----	128
FIG 414 4WD CHANGE LEVER -----	130
FIG 415 P.T.O CHANGE GEARS -----	132
FIG 416 P.T.O CHANGE SHIFTER -----	134
FIG 417 REAR DIFFERENTIAL GEARS -----	136
FIG 418 REAR AXLE HOUSING-----	140

5 FRONT AXLE

FIG 501 FRONT AXLE SUPPORT-----	146
FIG 502 FRONT DRIVE SHAFT-----	148
FIG 503 FRONT AXLE HOUSING-----	150
FIG 504 FRONT DIFFERENTIAL GEARS-----	152
FIG 505 FRONT GEAR CASE (1)-----	154
FIG 506 FRONT GEAR CASE (2)-----	156
FIG 507 FRONT GEAR CASE (3)-----	158

6 HYDRAULICS & 3-POINT LINK

FIG 601 CYLINDER CASE-----	164
FIG 602 LIFT ARM-----	168
FIG 603 CYLINDER-----	170
FIG 604 POSITION LINK-----	172
FIG 605 CONTROL VALVE-----	174
FIG 606 DRAFT LINK-----	176
FIG 607 POSITION & DRAFT LEVER-----	178
FIG 608 EXTERIOR HYD. VALVE-----	180

FIG 609 HYDRAULIC PIPE-----	182
FIG 610 JOYSTICK -----	184
FIG 611A HITCH & 3-P LINK (US)-----	186
FIG 611B HITCH & 3-P LINK (EU)-----	190
FIG 612A LOWER LINK & LIFT ROD-----	194
FIG 612B LOWER LINK & LIFT ROD-----	196
FIG 613 HYDRAULIC HOSE-----	198

7

SHEET METAL & CABIN

FIG 701 HOOD -----	202
FIG 702 FRONT FRAME -----	204
FIG 703 SIDE SUPPORT & FRAME HOOD-----	206
FIG 704 LEVER COVER & STEP-----	210
FIG 705 FRONT & REAR MOUNTING-----	212
FIG 706 SEAT & MAT -----	214
FIG 709 DOOR-----	216
FIG 710 FRONT GLASS-----	220
FIG 711 SIDE GLASS-----	222
FIG 712 REAR GLASS -----	224
FIG 713 SUB FENDER & COVER-----	226
FIG 714 MIRROR -----	228
FIG 715 HEATER & AIR-CON -----	230
FIG 716 FENDER COVER -----	234
FIG 717 ROOF -----	236
FIG 718 CABIN INTERIOR -----	238

8

ELECTRICALS & HARNESS

FIG 801 BATTERY & MOUNTING-----	244
FIG 802 HARNESS-----	246
FIG 803 LIGHT & BACK LAMP-----	248
FIG 804 INSTRUMENT PANEL-----	250
FIG 805 ELECTRIC SYSTEM (1)-----	252
FIG 806 ELECTRIC SYSTEM (2)-----	254

9**WEIGHT,LABEL,TOOLS**

FIG 901 TOOL & ACCESSORY-----	260
FIG 902 WEIGHT-----	262
FIG 903 LABEL-----	264

10**NUMERICAL INDEX**

ENGINE-----	271
CHASSIS-----	274

ENGINE

1 ENGINE

FIG 01	0512 4184, 0512 4259, 0512 4281, 0512 4051-----	04
FIG 02	0512 4368-----	06
FIG 05	0512 4036, 0512 4130, 0512 4238, 0512 4321-----	08
FIG 06	0512 4003-----	10
FIG 07	0512 4005-----	12
FIG 08	0512 4312, 0512 4050, 0512 4246-----	14
FIG 09	0512 4044, 0512 4320, 0512 4406-----	16
FIG 10	0512 4284-----	18
FIG 11	0512 4004, 0512 4045, 0512 4046-----	20
FIG 14	0512 4027-----	22
FIG 15	0512 4120, 0506 4400, 0512 4000-----	24
FIG 16	0512 4261-----	26
FIG 17	0512 4052-----	28
FIG 19	0512 4047-----	30
FIG 20	0512 4224-----	32
FIG 21	0512 4009, 0512 4008, 0512 4299-----	34
FIG 22	0512 4345, 0512 4392-----	36
FIG 27	0511 8909-----	38
FIG 37	0512 4331-----	40
FIG 38	0512 4055-----	42
FIG 41	0512 4143, 0512 4058, 0512 4097, 0512 4257-----	44
FIG 43	0512 4384-----	46
FIG 44	0512 4062, 0512 4256, 0512 4393, 0512 4400-----	48
FIG 48	0511 7723, 0512 4011, 0512 4098, 0512 4127, 0512 4292-----	50
FIG 48	0512 4128, 0512 4293, 0512 4334, 0512 4338, 0512 4343-----	52
FIG 51	0512 4060, 0512 4104, 0512 4300, 0512 4329-----	54
FIG 63	0512 4010-----	56
FIG 83	0512 4176, 0512 4180, 0512 4251, 0512 4337, 0512 4339, 0512 4340, 0512 4344-----	58
FIG 90	0512 4355-----	60

2 ENGINE ACCESSORIES & CONTROL

FIG 201 AIR CLEANER-----66
FIG 202 RADIATOR-----68
FIG 203 MUFFLER & EXHAUST PIPE -----70
FIG 204 FUEL TANK-----72
FIG 205 FUEL FILTER & FUEL PUMP-----74

3 CLUTCH,BRAKE,STEERING

FIG 301 CLUTCH-----80
FIG 302 CLUTCH PEDAL-----82
FIG 303 BRAKE-----86
FIG 304 BRAKE PEDAL & LINK -----88
FIG 305 FORNT WHEEL-----90
FIG 306 REAR WHEEL-----92
FIG 307 POWER STEERING WHEEL-----94
FIG 308 POWER STEERING VALVE-----96
FIG 309 POWER STEERING CYLINDER-----98
FIG 310 HAND BRAKE & BRAKE-----98

4**TRANSMISSION & REAR AXLE**

FIG 401 TRANSMISSION FRONT CASE -----	104
FIG 402 FORWARD & BACKWARD GEARS -----	106
FIG 403 CHANGE GEARS -----	108
FIG 404 REVERSE GEARS -----	110
FIG 405 P.T.O DRIVE SHAFT -----	112
FIG 406 MAIN CHANGE LEVER -----	114
FIG 407 REVERSE CHANGE LEVER -----	116
FIG 408 TRANSMISSION MID CASE -----	118
FIG 409 TRANSMISSION REAR CASE -----	120
FIG 410 SUB CHANGE GEARS -----	122
FIG 411 SUB CHANGE SHIFTER -----	124
FIG 412 CREEP CHANGE -----	126
FIG 413 DRIVE GEARS -----	128
FIG 414 4WD CHANGE LEVER -----	130
FIG 415 P.T.O CHANGE GEARS -----	132
FIG 416 P.T.O CHANGE SHIFTER -----	134
FIG 417 REAR DIFFERENTIAL GEARS -----	136
FIG 418 REAR AXLE HOUSING-----	140

5 FRONT AXLE

FIG 501 FRONT AXLE SUPPORT-----146
FIG 502 FRONT DRIVE SHAFT-----148
FIG 503 FRONT AXLE HOUSING-----150
FIG 504 FRONT DIFFERENTIAL GEARS-----152
FIG 505 FRONT GEAR CASE (1)-----154
FIG 506 FRONT GEAR CASE (2)-----156
FIG 507 FRONT GEAR CASE (3)-----158

6 HYDRAULICS & 3-POINT LINK

FIG 601 CYLINDER CASE-----	164
FIG 602 LIFT ARM-----	168
FIG 603 CYLINDER-----	170
FIG 604 POSITION LINK-----	172
FIG 605 CONTROL VALVE-----	174
FIG 606 DRAFT LINK-----	176
FIG 607 POSITION & DRAFT LEVER-----	178
FIG 608 EXTERIOR HYD. VALVE-----	180
FIG 609 HYDRAULIC PIPE-----	182
FIG 610 JOYSTICK -----	184
FIG 611A HITCH & 3-P LINK (US)-----	186
FIG 611B HITCH & 3-P LINK (EU)-----	190
FIG 612A LOWER LINK & LIFT ROD-----	194
FIG 612B LOWER LINK & LIFT ROD-----	196
FIG 613 HYDRAULIC HOSE-----	198

FIG 701 HOOD	202
FIG 702 FRONT FRAME	204
FIG 703 SIDE SUPPORT & FRAME HOOD	206
FIG 704 LEVER COVER & STEP	210
FIG 705 FRONT & REAR MOUNTING	212
FIG 706 SEAT & MAT	214
FIG 709 DOOR	216
FIG 710 FRONT GLASS	220
FIG 711 SIDE GLASS	222
FIG 712 REAR GLASS	224
FIG 713 SUB FENDER & COVER	226
FIG 714 MIRROR	228
FIG 715 HEATER & AIR-CON	230
FIG 716 FENDER COVER	234
FIG 717 ROOF	236
FIG 718 CABIN INTERIOR	238

8**ELECTRICALS & HARNESS**

FIG 801 BATTERY & MOUNTING-----	244
FIG 802 HARNESS-----	246
FIG 803 LIGHT & BACK LAMP-----	248
FIG 804 INSTRUMENT PANEL-----	250
FIG 805 ELECTRIC SYSTEM (1)-----	252
FIG 806 ELECTRIC SYSTEM (2)-----	254

9

WEIGHT,LABEL,TOOLS

FIG 901 TOOL & ACCESSORY-----260
FIG 902 WEIGHT-----262
FIG 903 LABEL-----264

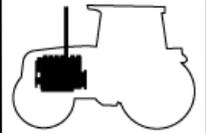
ENGINE-----271
CHASSIS-----274

FIG 00

SERVICE

Year

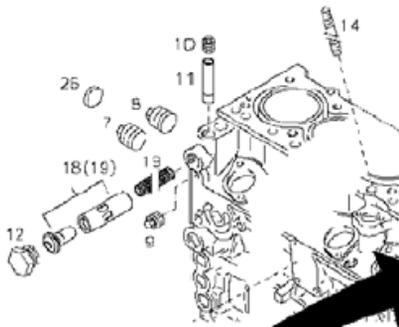
2015



T654



KURBELGEHAEUSE
CRANKCASE
CARTER
BLOQUE DE CILINDR.



Ersatzteilbestellung

*Spare parts order
Commande de pièces de rechange
Pedido de repuestos*

Motor-Bauart:

Engine model:
Type de moteur: **F4M 1071F**
Tipo del motor:

Motor-Nummer:

Engine serial number:
Numéro du moteur: **0 080 729**
Número de motor:

Lfd. Nr./Ser. No. No. ct./No. corr.	Stk./Qty. Qté./Cant.	Teilnummer/Part number No. de piece/No. de pieza
1.	2	0417 8155
2.	3	0417 8154
3.	1	0210 8055

BILD FIG.	TN / PN	MGE QTY	DEUTSCH	ENGLISH	FRANCAIS	
1	0417 8910	1	KURBELGEHAEUSE	ENGINE BLOCK	BLOC_MOTEUR	
2	0417 8155	2	LAGERBUCHSE	BEARING BUSH	BAGUE	CASQUILLO DOJINETE
3	0417 8154	3	LAGERBUCHSE	BEARINGS BUSH	BAGUE	CASQUILLO DOJINETE
4	0210 8055	2	FUEHRUNGSHUELSE	GUIDE SLEEVE	DOUILLE DE GUIDAGE	CASQUILLO GUIA
5	0417 8711	1	VERSCHLUSSSCHRAUBE	SCREW PLUG	BOUCHON FILETE	TAPON ROSCADO

(A)961 FM M. ABGASOPT. KOLBEN

NOTE

FIG 01

T654

0512 4184
0512 4259
0512 4281
0512 4051

P1

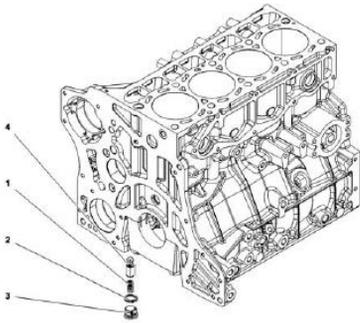
Year

2015



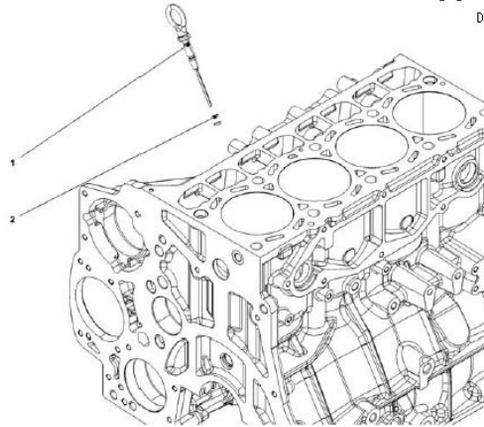
01 - 0512 4051

PRESSURESTAT



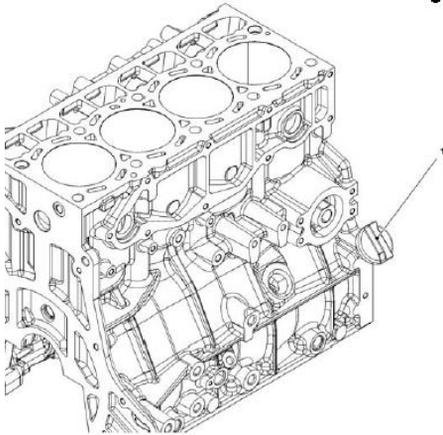
01 - 0512 4259

DIPSTICK



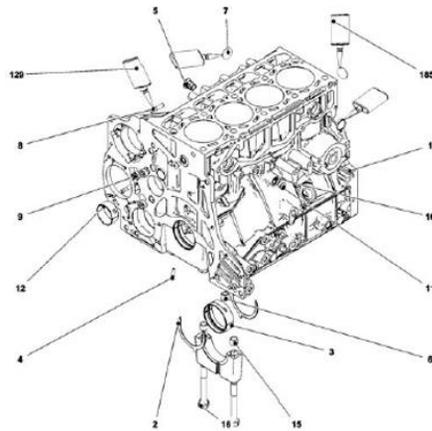
01 - 0512 4184

FILLER CAP



01 - 0512 4281

CRANKCASE



NOTE

FIG 02

0512 4368

P1

Year

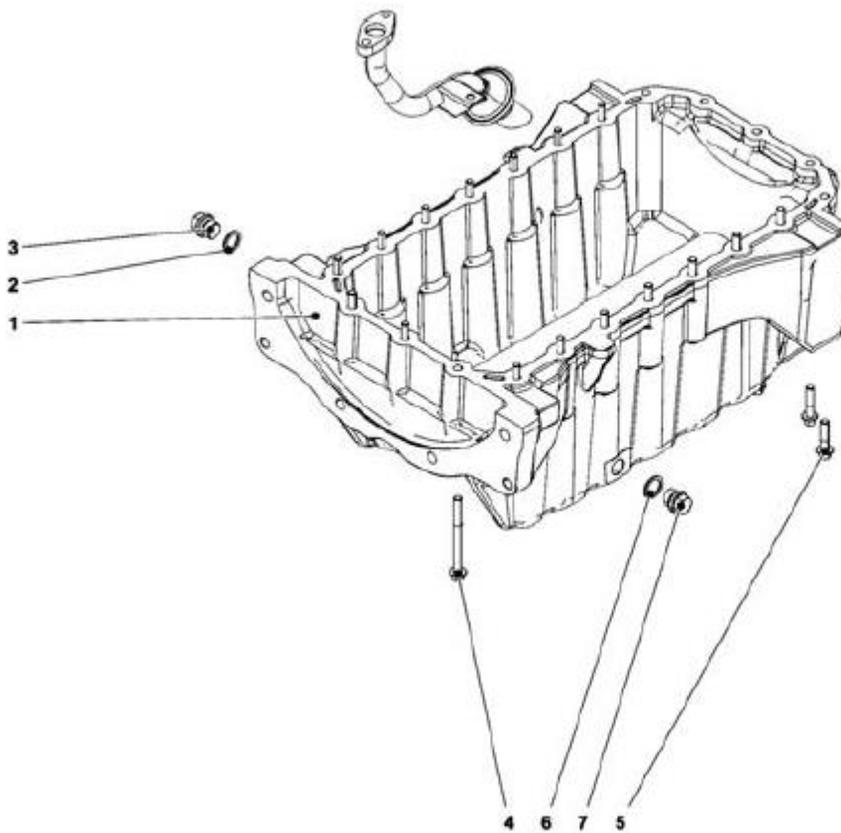
2015



T654

02 - 0512 4368

OIL PAN



NOTE

FIG 05

T654

0512 4036
0512 4130
0512 4238
0512 4321

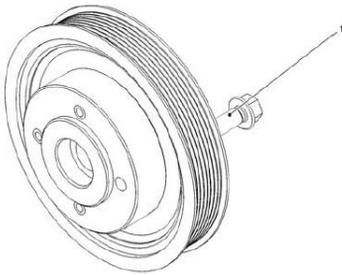
P1

Year

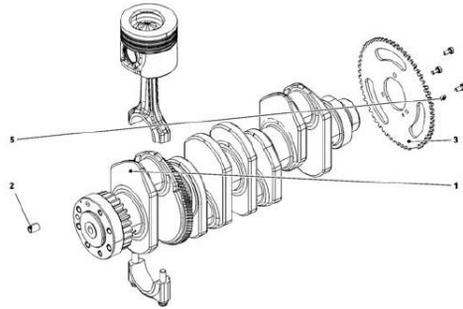
2015



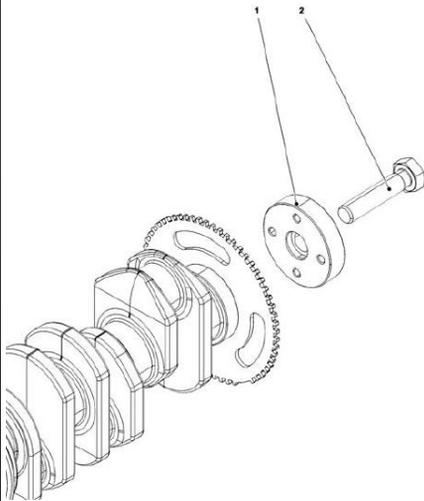
05 - 0512 4036
FASTENINGS



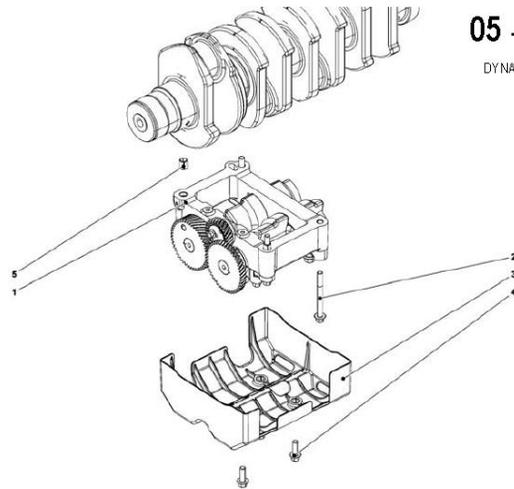
05 - 0512 4238
CRANKSHAFT



05 - 0512 4130
CRANKSHAFT ACCESS.



05 - 0512 4321
DYNAMIC BALANCER



NOTE

FIG 06

0512 4003

P1

Year

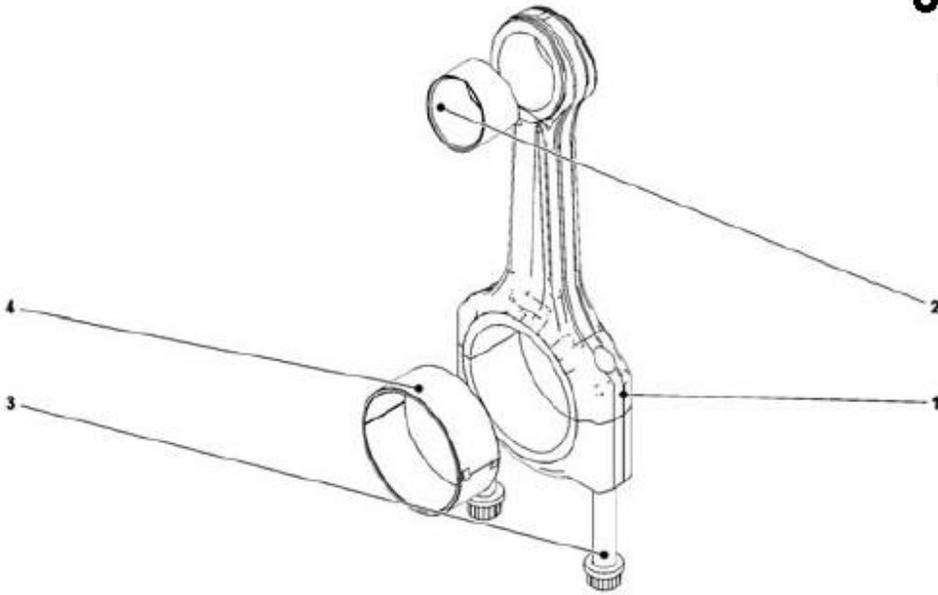
2015



T654

06 - 0512 4003

CONNECTING ROD



NOTE

FIG 07

T654

0512 4005

P1

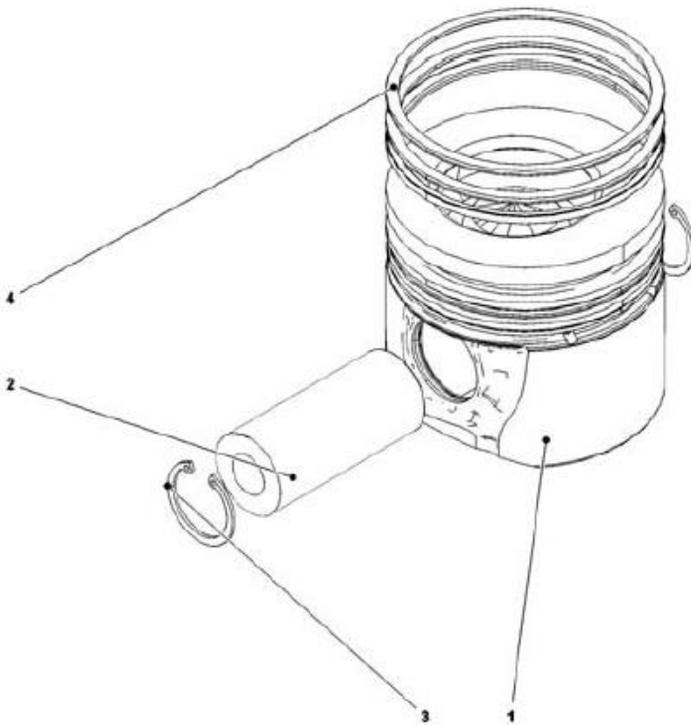
Year

2015



07 - 0512 4005

PISTON



NOTE

FIG 08

T654

0512 4312
0512 4050
0512 4246

P1

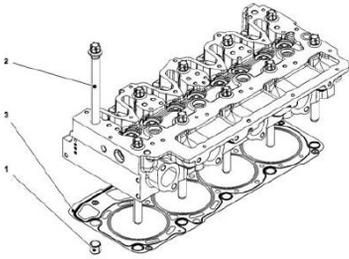
Year

2015



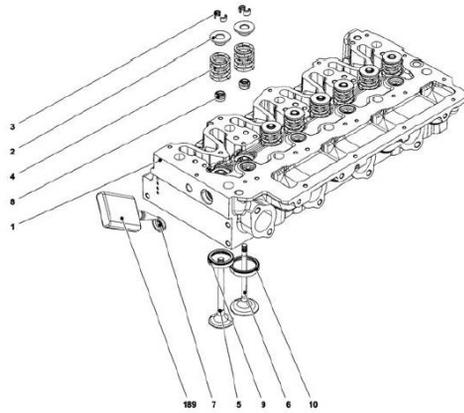
08 - 0512 4050

FASTENINGS



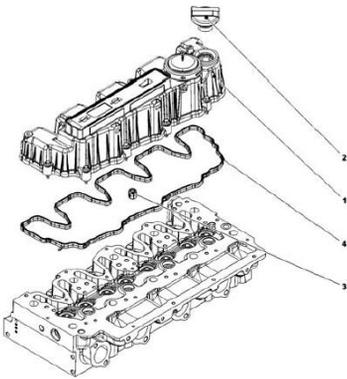
08 - 0512 4312

CYLINDER HEAD



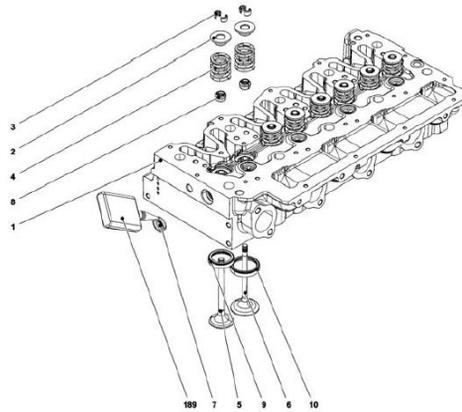
08 - 0512 4246

VALVE MECHAN COVER



08 - 0512 4312

CYLINDER HEAD



NOTE

FIG 09

T654

0512 4044
0512 4320
0512 4406

P1

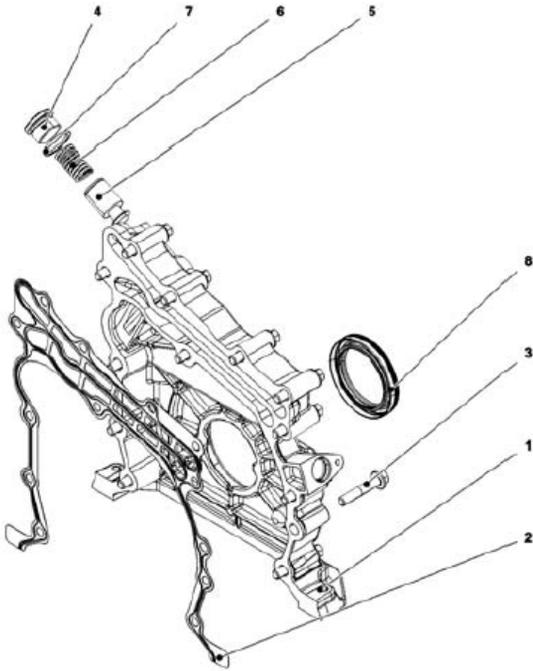
Year

2015



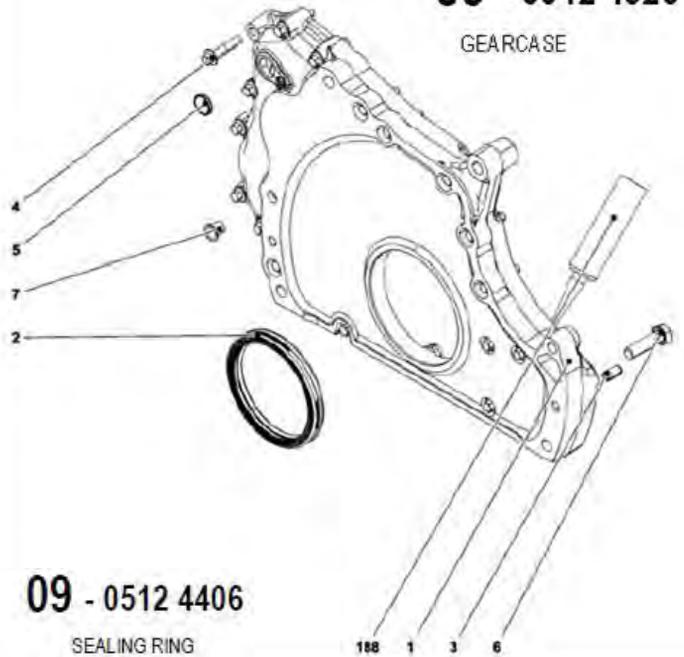
09 - 0512 4044

FRONT COVER



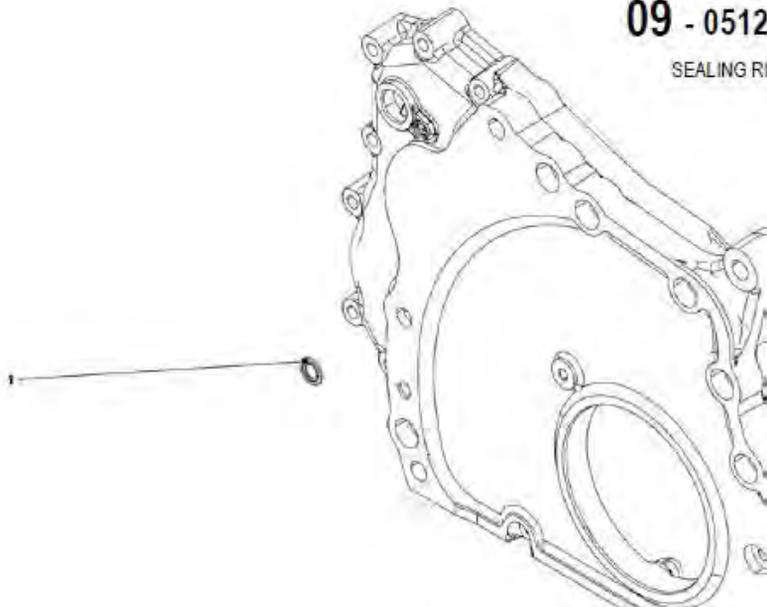
09 - 0512 4320

GEARCASE



09 - 0512 4406

SEALING RING



NOTE

FIG 10

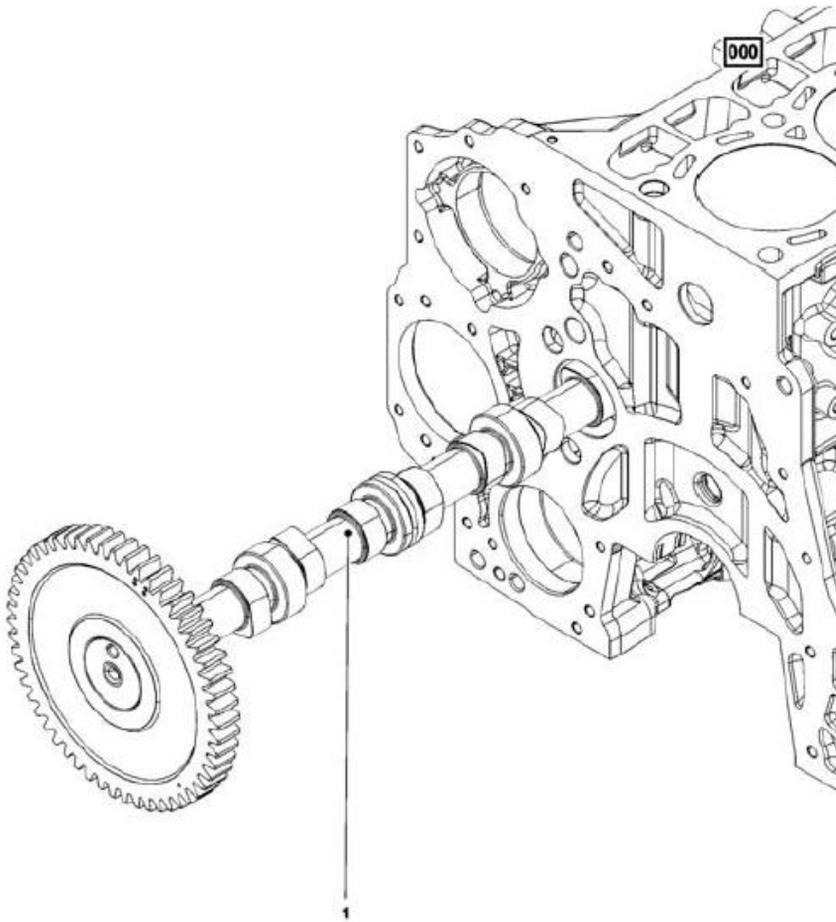
T654

0512 4284

P1

Year

2015



10 - 0512 4284

CAMSHAFT

NOTE

FIG 11

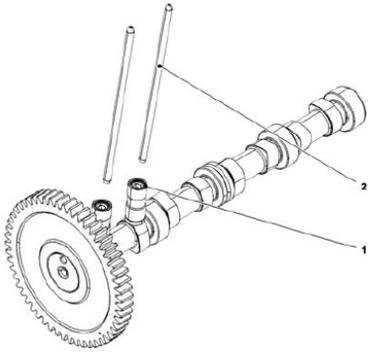
T654

0512 4004
0512 4045
0512 4046

P1

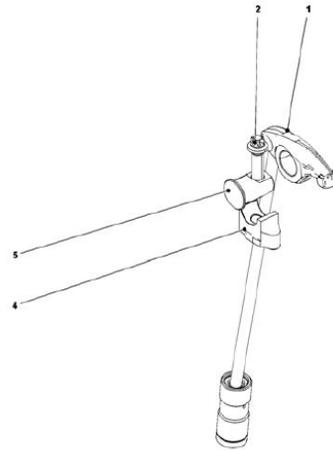
Year

2015



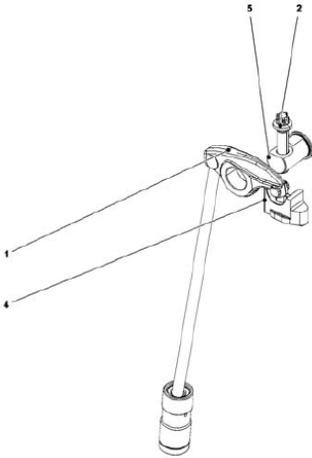
11 - 0512 4004

VALVE DRIVE



11 - 0512 4046

ROCKER ARM INLET



11 - 0512 4045

ROCKER ARM OUTLET

NOTE

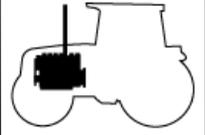
FIG 14

0512 4027

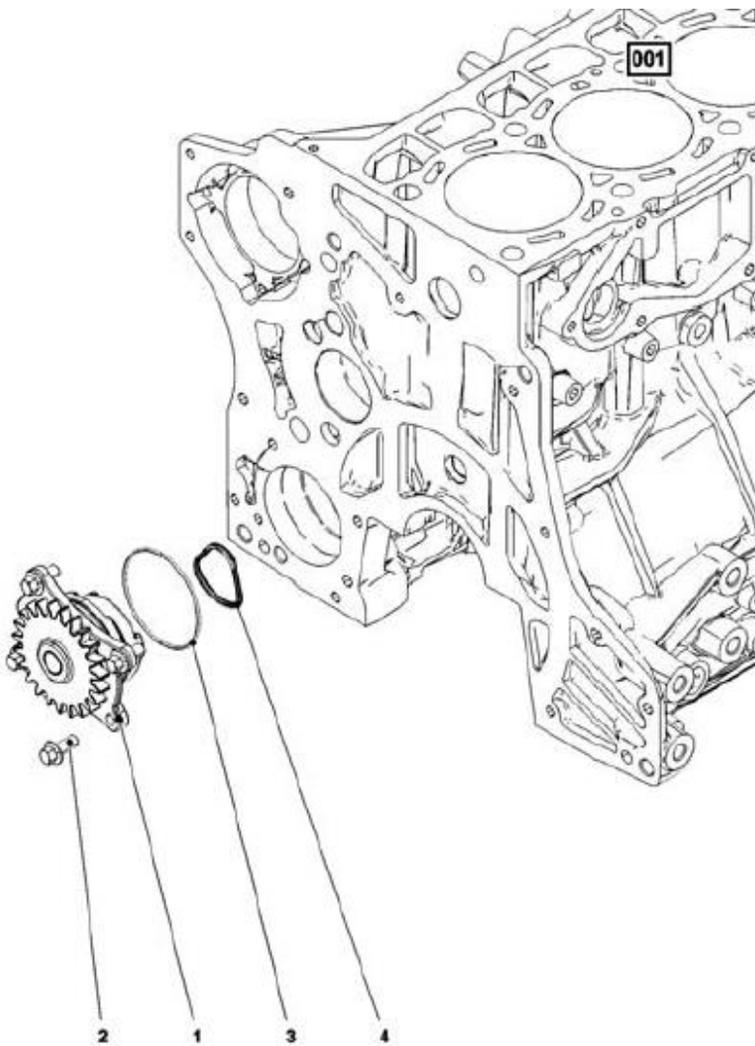
P1

Year

2015



T654



14 - 0512 4027

LUBRICAT. OIL PUMP

NOTE

FIG 15

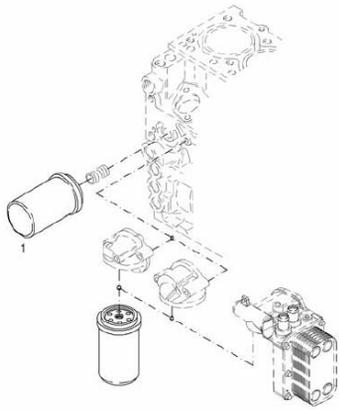
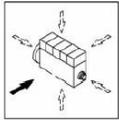
T654

0512 4120
0506 4400
0512 4000

P1

Year

2015

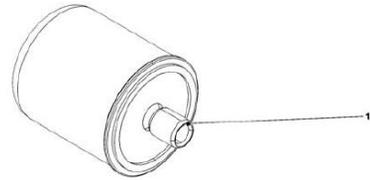


15 - 0506 4400

LUBRIC. OIL FILTER

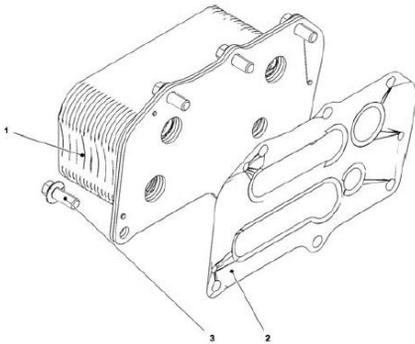
15 - 0512 4120

OIL FILTER ASSY



15 - 0512 4000

OIL COOLER



NOTE

FIG 16

0512 4261

P1

Year

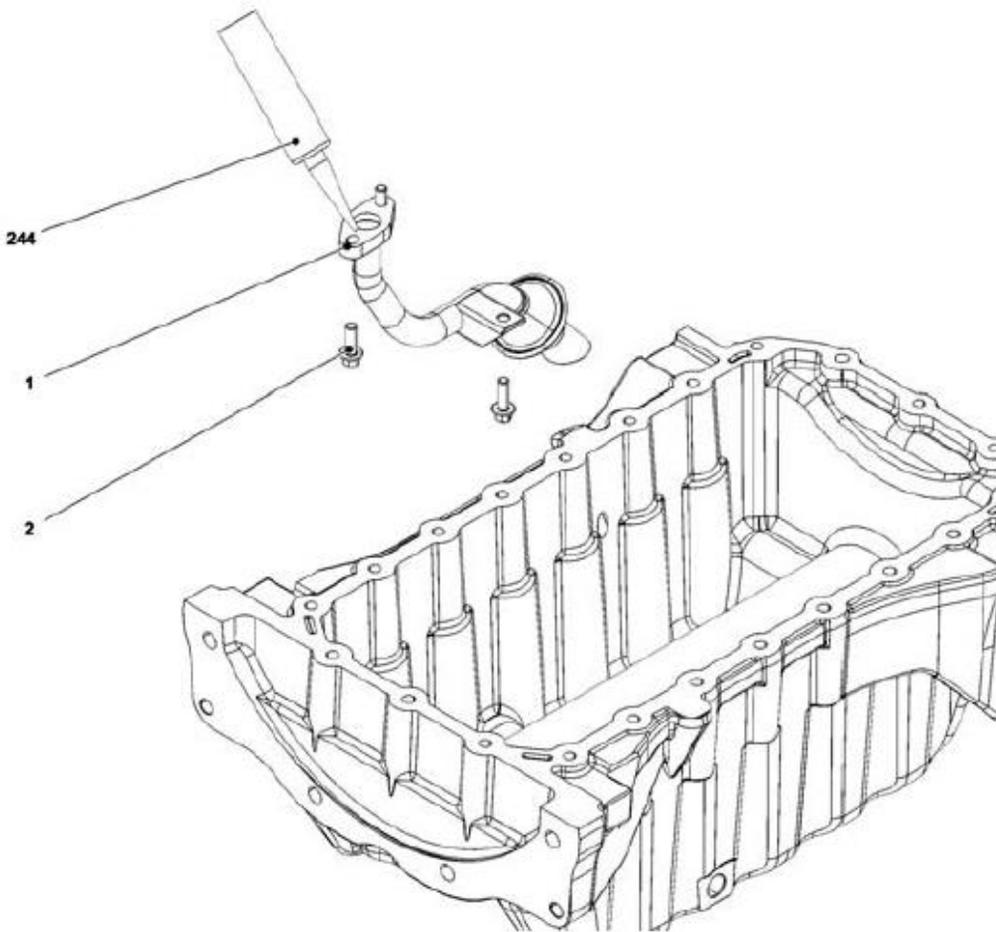
2015



T654

16 - 0512 4261

OIL SUCTION PIPE



NOTE

FIG 19

0512 4047

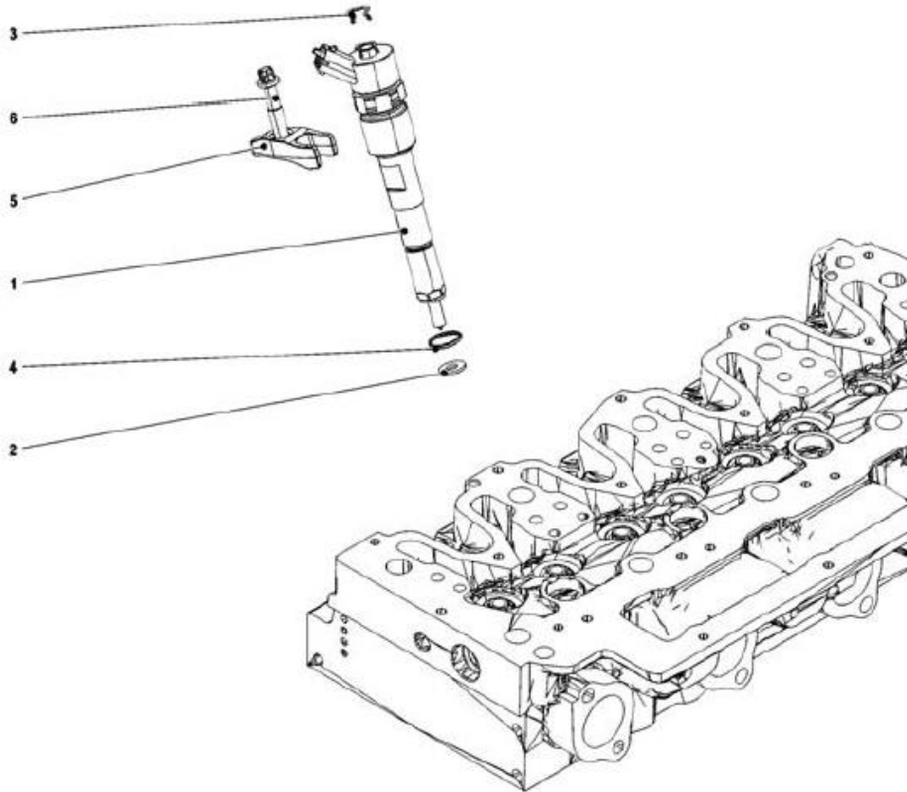
P1

Year

2015



T654



19 - 0512 4047

FUEL INJECTOR

NOTE

FIG 20

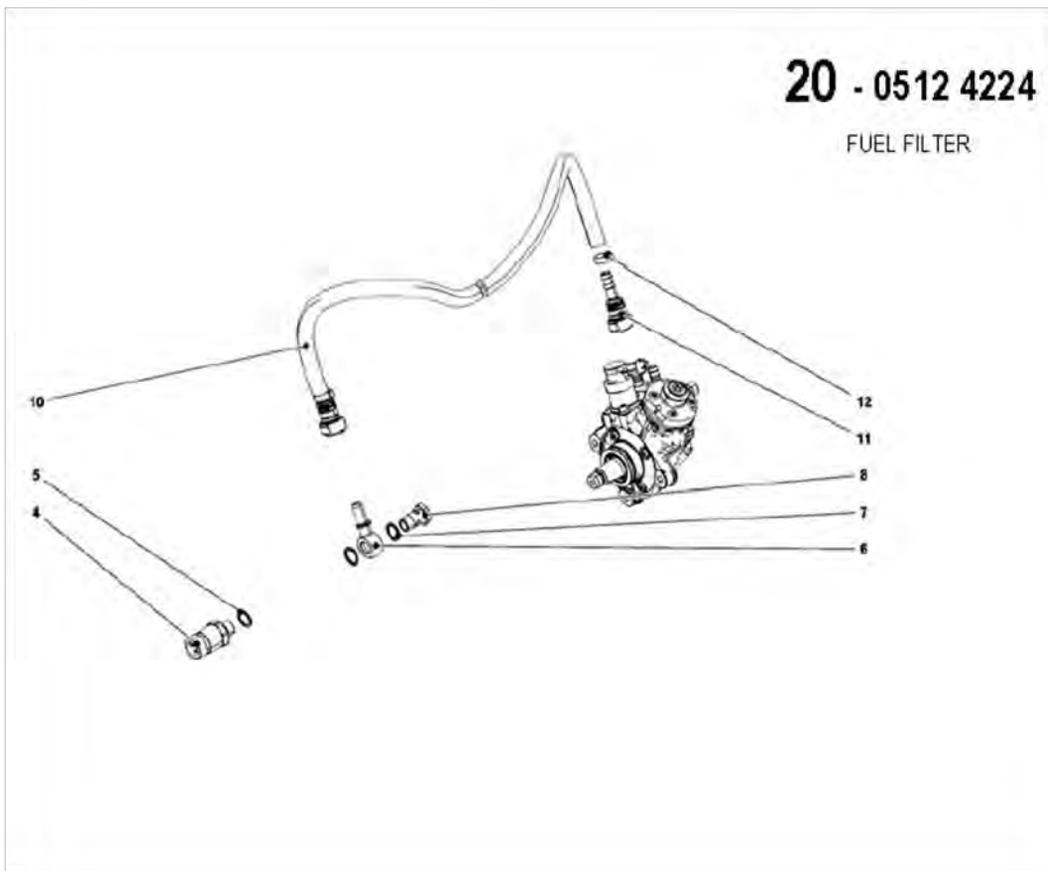
T654

0512 4224

P1

Year

2015



NOTE

FIG 21

T654

0512 4009
0512 4008
0512 4299

P1

Year

2015



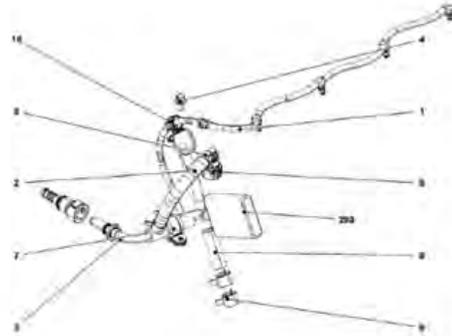
21 - 0512 4008

RAL



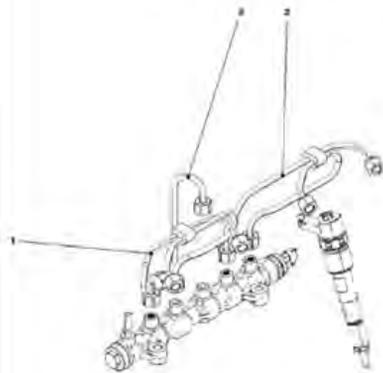
21 - 0512 4299

FUEL LINE



21 - 0512 4009

HIGH PRESSURE PIPE



NOTE

FIG 22

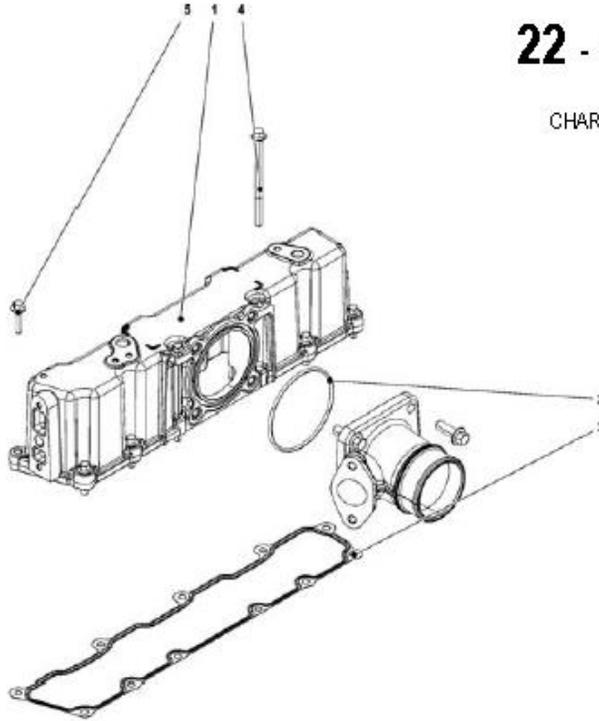
T654

0512 4345
0512 4392

P1

Year

2015

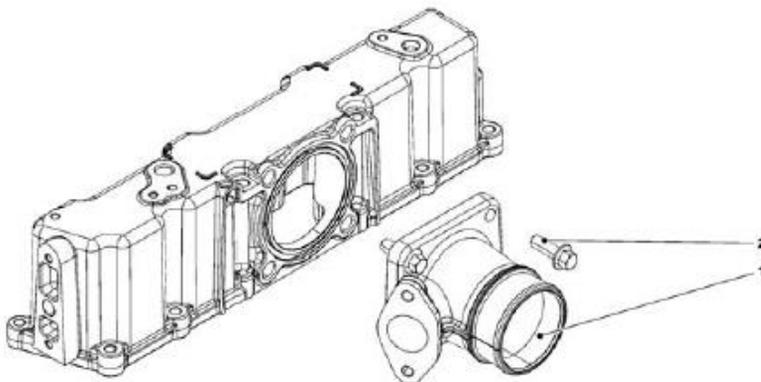


22 - 0512 4345

CHARGE AIR PIPE

22 - 0512 4392

CHARGE AIR ELBOW



NOTE

FIG 27

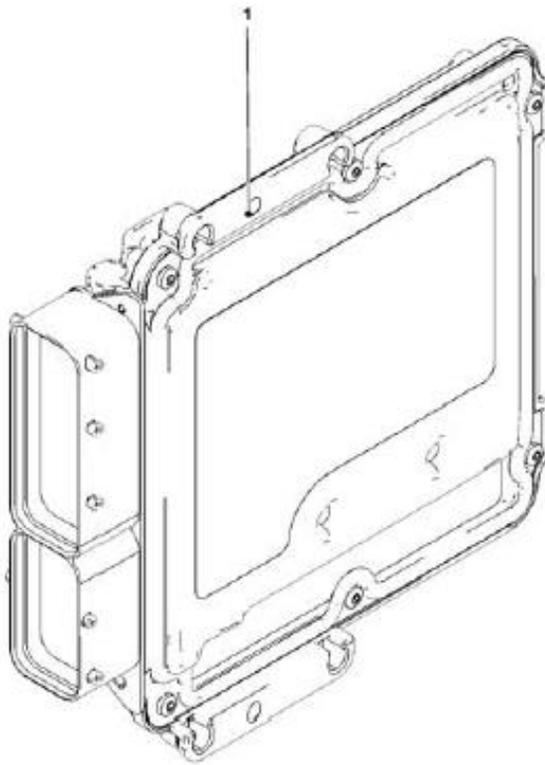
T654

0511 8909

P1

Year

2015



27 - 0511 8909

CONTROL UNIT

NOTE

FIG 37

0512 4331

P1

Year

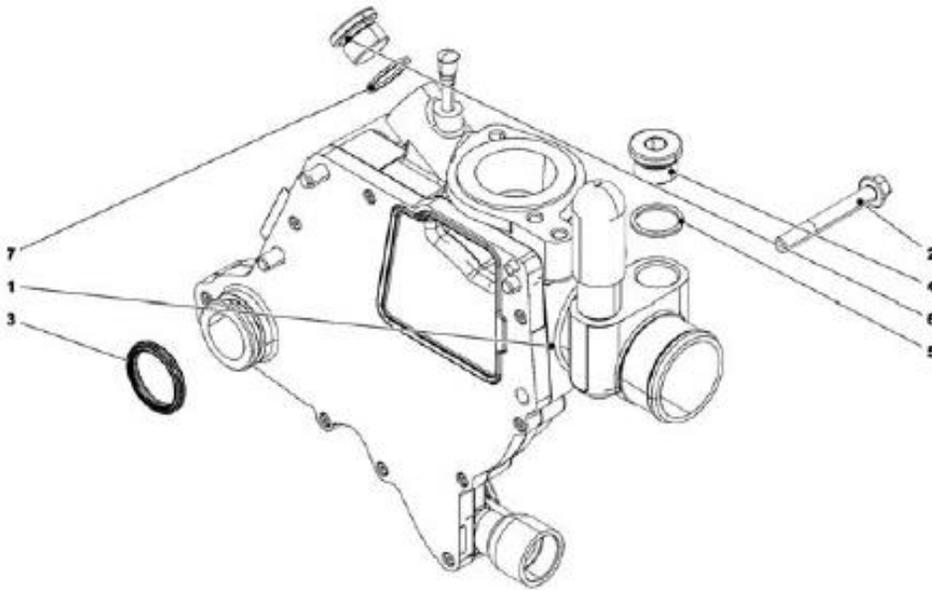
2015



T654

37 - 0512 4331

COOLANT PUMP



NOTE

FIG 38

T654

0512 4055

P1

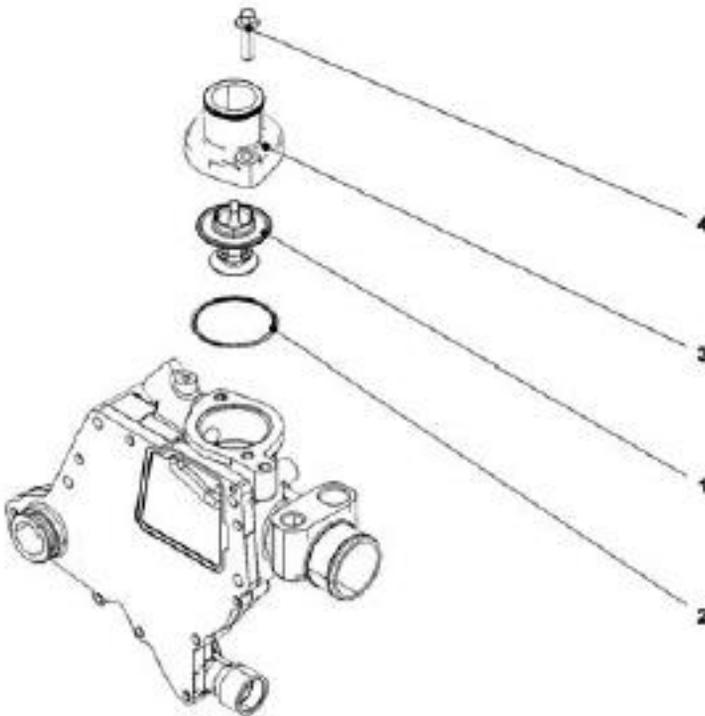
Year

2015



38 - 0512 4055

THERMOSTAT



NOTE

FIG 41

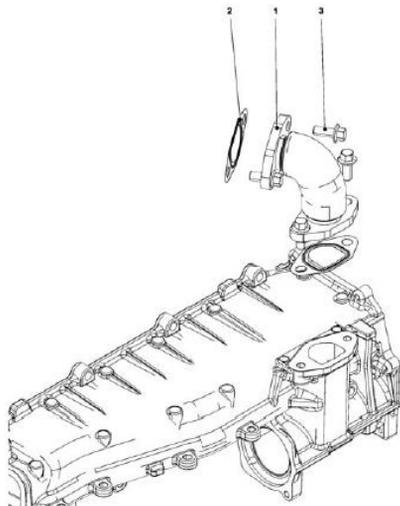
T654

0512 4143
0512 4058
0512 4097
0512 4257

P1

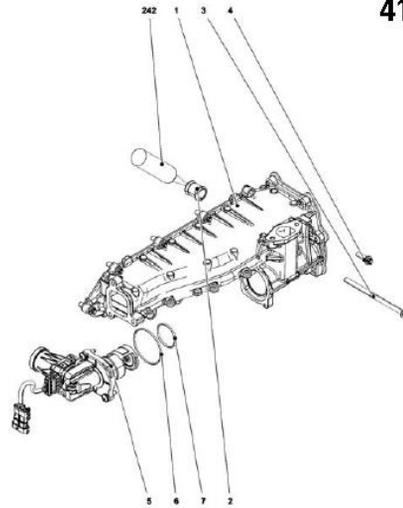
Year

2015



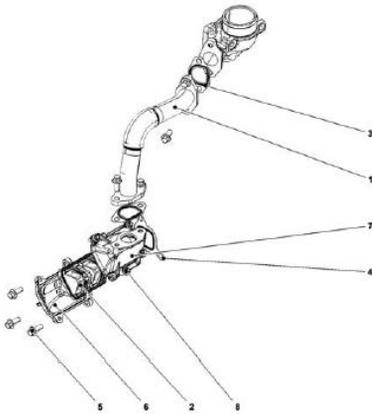
41 - 0512 4058

PIPE/LINE/LEAD



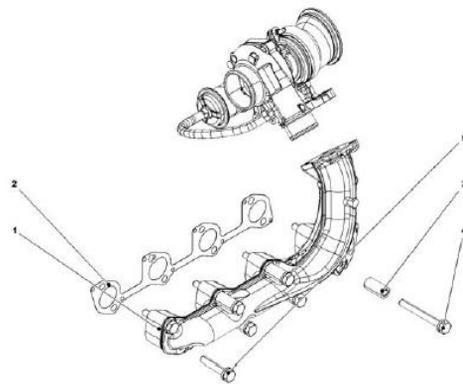
41 - 0512 4143

EGR-MODULE



41 - 0512 4097

PIPE/LINE/LEAD



41 - 0512 4257

EXHAUST MANIFOLD

NOTE

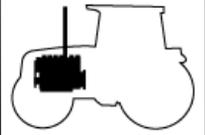
FIG 43

0512 4384

P1

Year

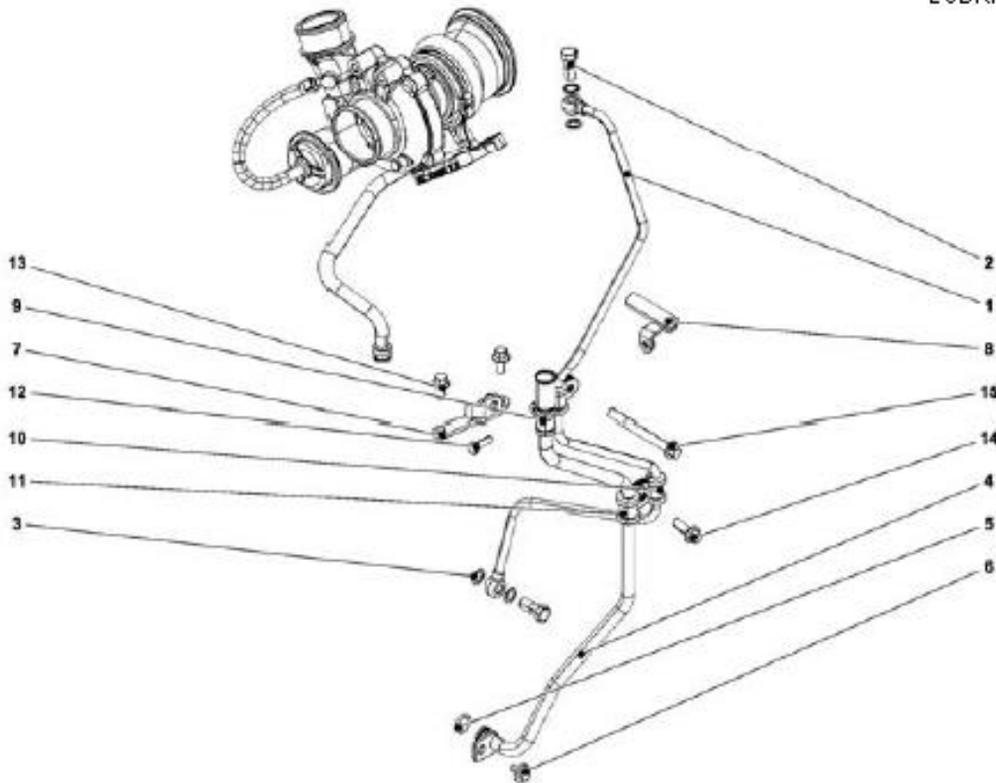
2015



T654

43 - 0512 4384

LUBRICAT. OIL LINE



NOTE

FIG 44

T654

0512 4062
0512 4256
0512 4393
0512 4400

P1

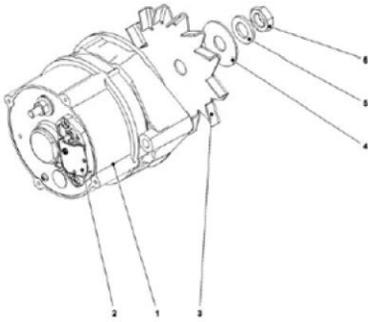
Year

2015



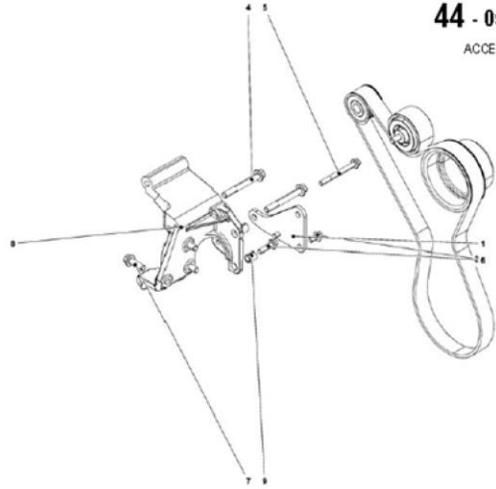
44 - 0512 4062

GENERATOR



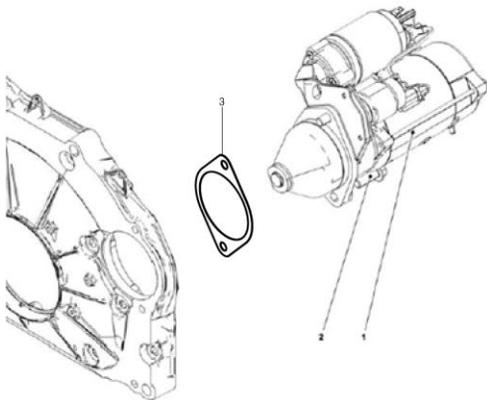
44 - 0512 4393

ACCESSORIES



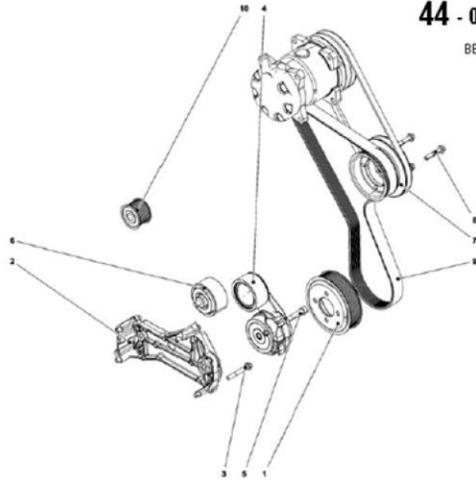
44 - 0512 4256

STARTER



44 - 0512 4400

BELT DRIVE



NOTE

FIG 48

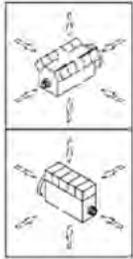
T654

0511 7723
0512 4011 0512 4098
0512 4127 0512 4292

P1

Year

2015



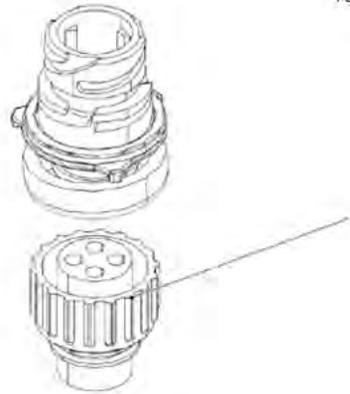
48 - 0511 7723

ATTACHMENT PLUG



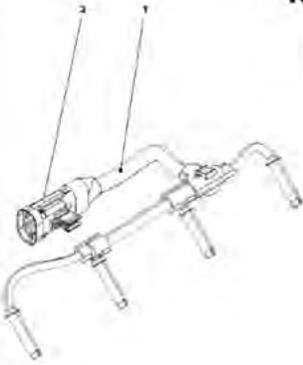
48 - 0512 4098

PLUG-IN CONNECTOR



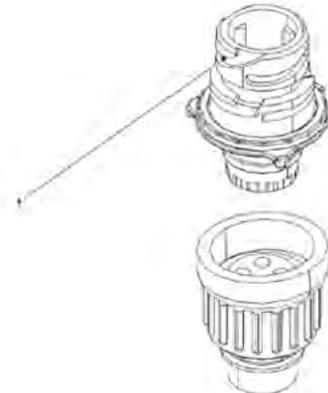
48 - 0512 4011

CABLE HARNESS



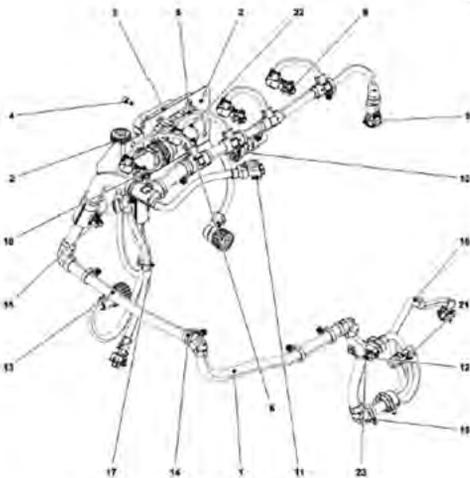
48 - 0512 4127

PLUG-IN CONNECTOR



48 - 0512 4292

CABLE HARNESS



NOTE

FIG 48

T654

0512 4128 0512 4293
0512 4334 0512 4338
0512 4343

P1

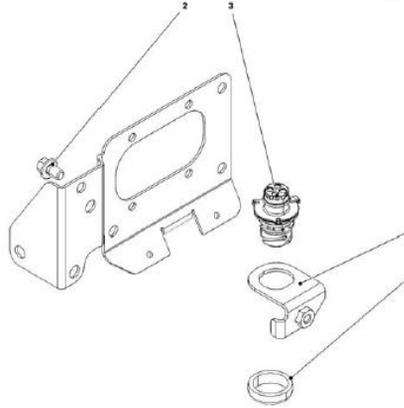
Year

2015



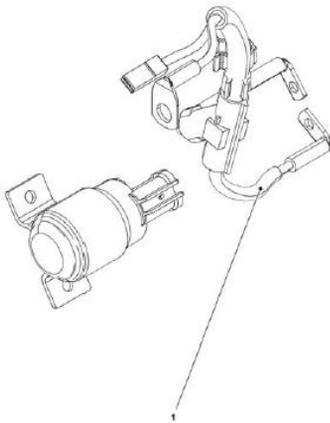
48 - 0512 4128

PLUG-IN CONNECTOR



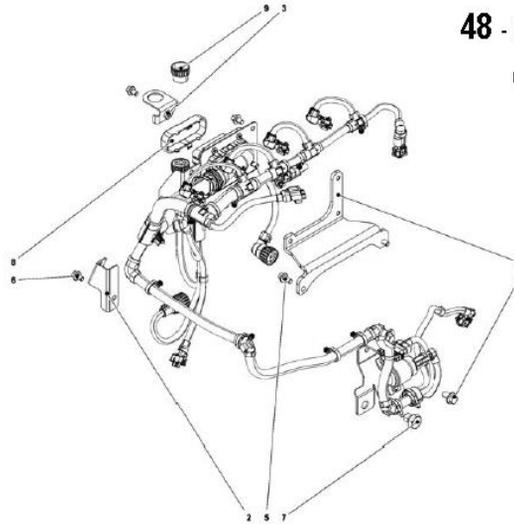
48 - 0512 4293

CONNECTING PIPE



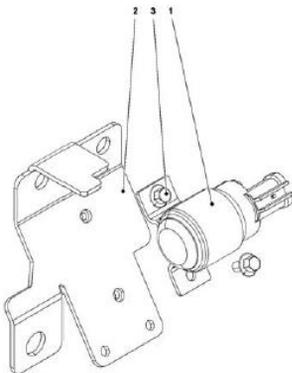
48 - 0512 4338

FASTENINGS



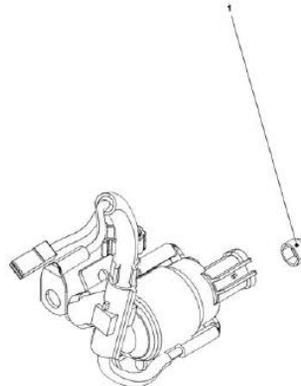
48 - 0512 4334

RELAY



48 - 0512 4343

PROTECTING CAP



NOTE

FIG 51

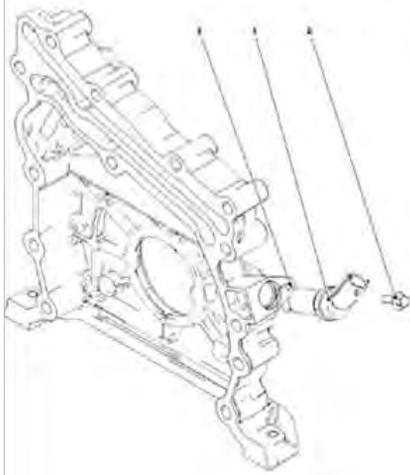
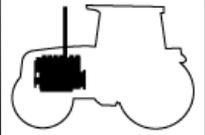
T654

0512 4060 0512 4104
0512 4300
0512 4329

P1

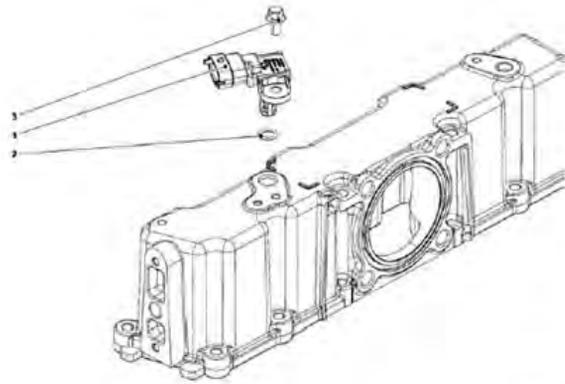
Year

2015



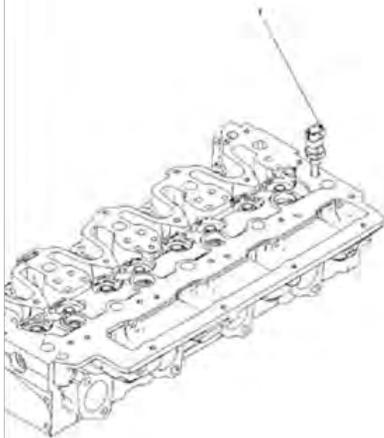
51 - 0512 4060

TACHO-GENERATOR



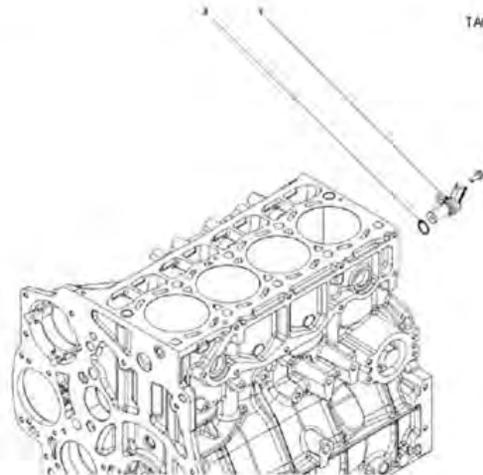
51 - 0512 4329

SENSOR



51 - 0512 4104

TEMPER. TRANSMITTER



51 - 0512 4300

TACHO-GENERATOR

NOTE

FIG 63

T654

0512 4010

P1

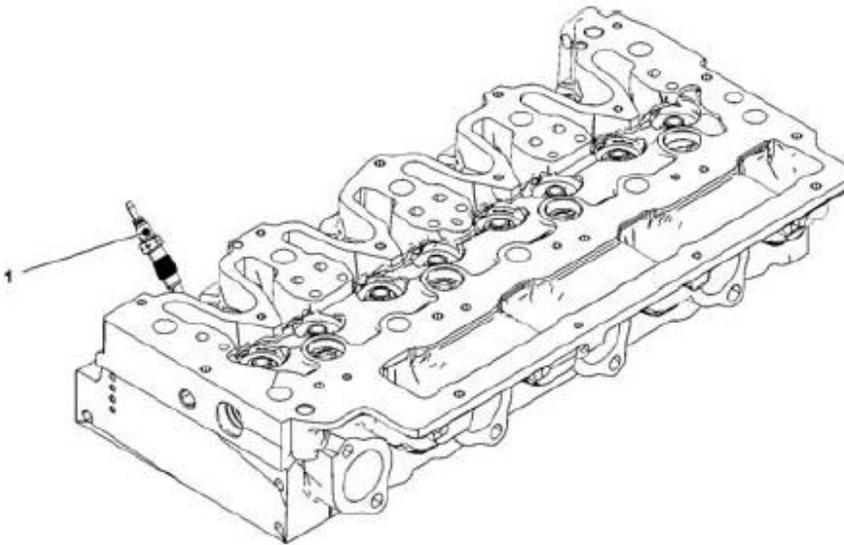
Year

2015



63 - 0512 4010

GLOW PLUG



NOTE

FIG 83

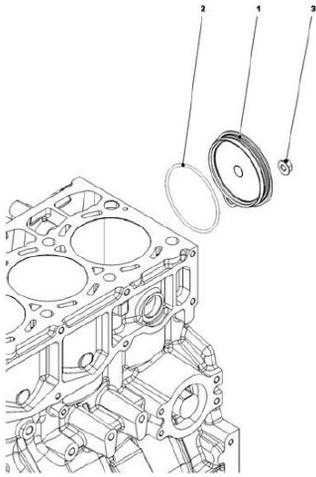
T654

0512 4176	0512 4180
0512 4251	0512 4337
0512 4339	0512 4340
0512 4344	

P1

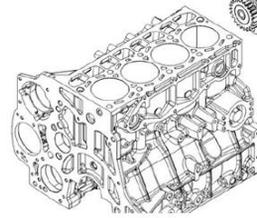
Year

2015

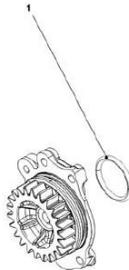


83 - 0512 4176
COVER

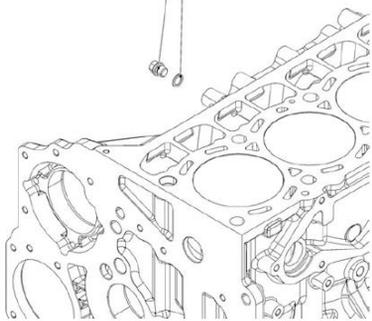
83 - 0512 4251
FASTENINGS



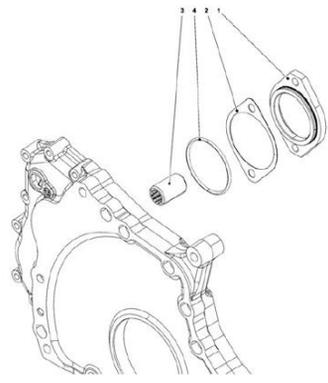
83 - 0512 4180
O-SEAL



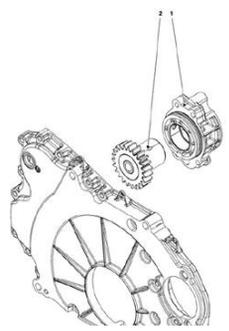
83 - 0512 4337
BLANKING PARTS



83 - 0512 4339
ADAPTERFLANSCH



83 - 0512 4344
LUBRICANT OIL LINE



83 - 0512 4340
AUXILIARY DRIVE

NOTE

FIG 90

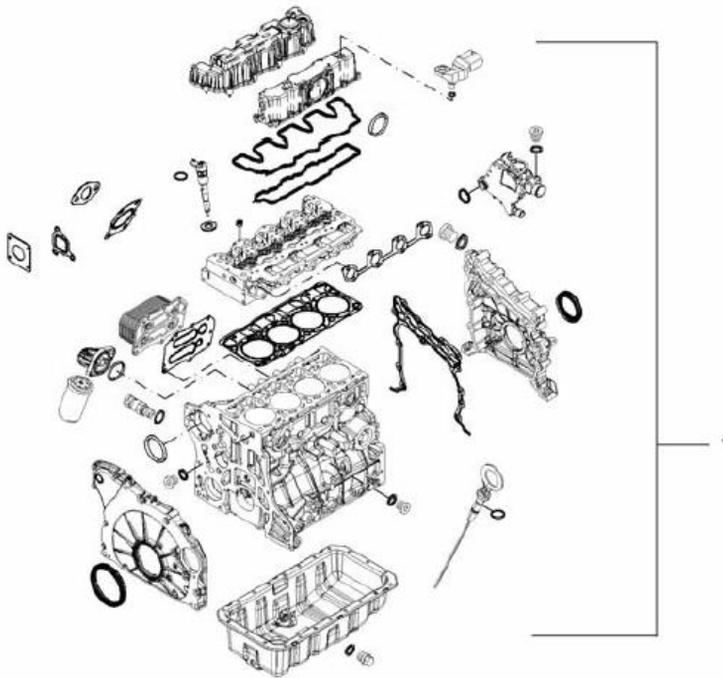
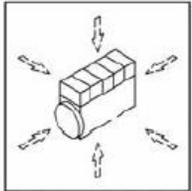
T654

0512 4355

P1

Year

2015



90 - 0512 4355

GASKET SET

NOTE

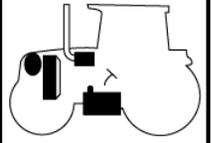
FIG 201

AIR CLEANER

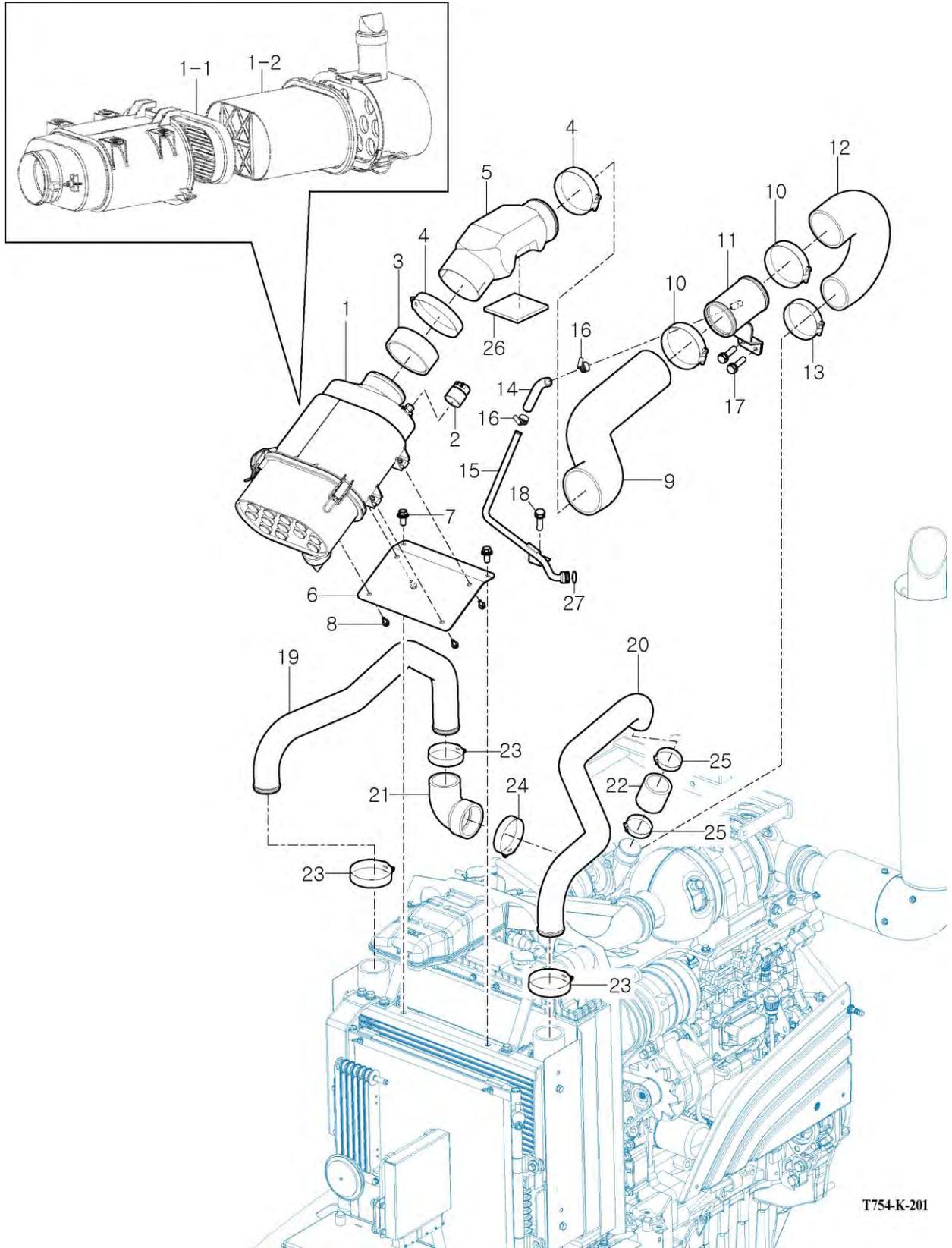
P1

Year

2015



T654



T754-K-201

NOTE

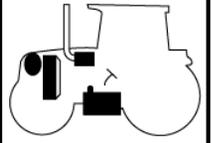
FIG 202

RADIATOR

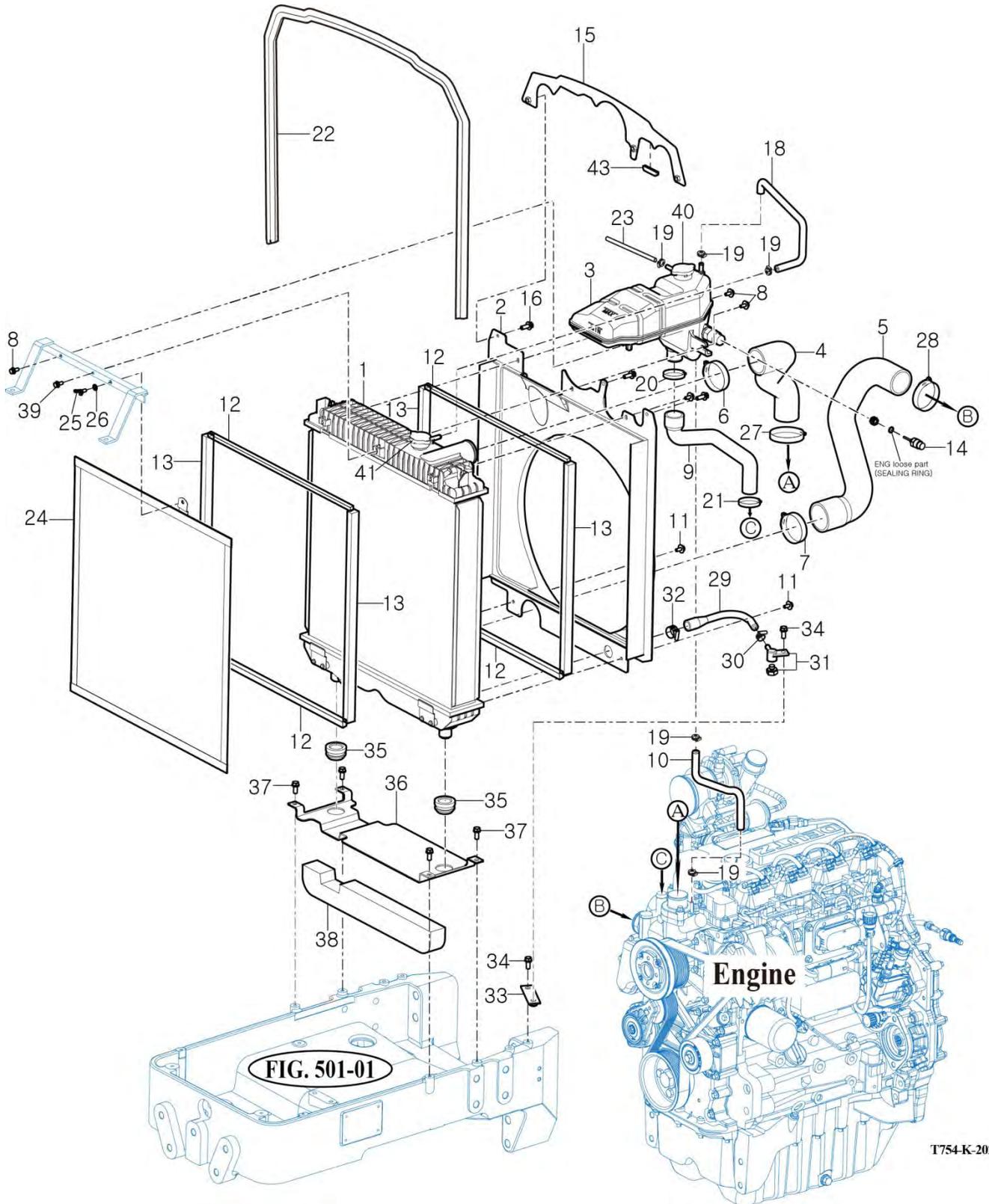
P1

Year

2015



T654



T754-K-202

NOTE

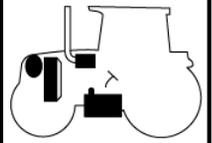
FIG 203

MUFFLER & EXHAUST PIPE

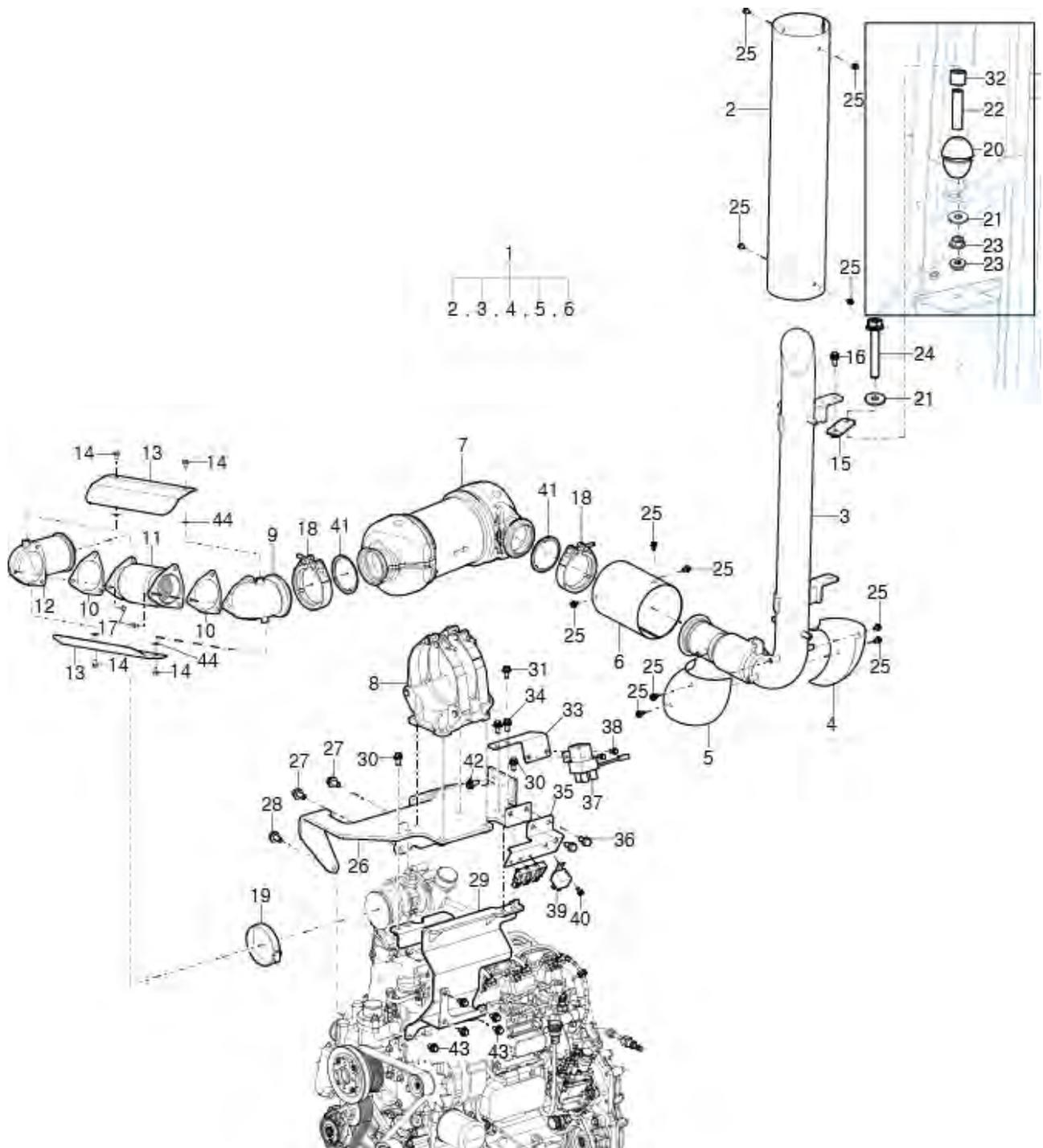
P1

Year

2015



T654



NOTE

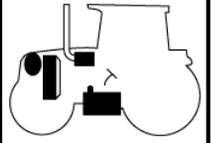
FIG 204

FUEL TANK

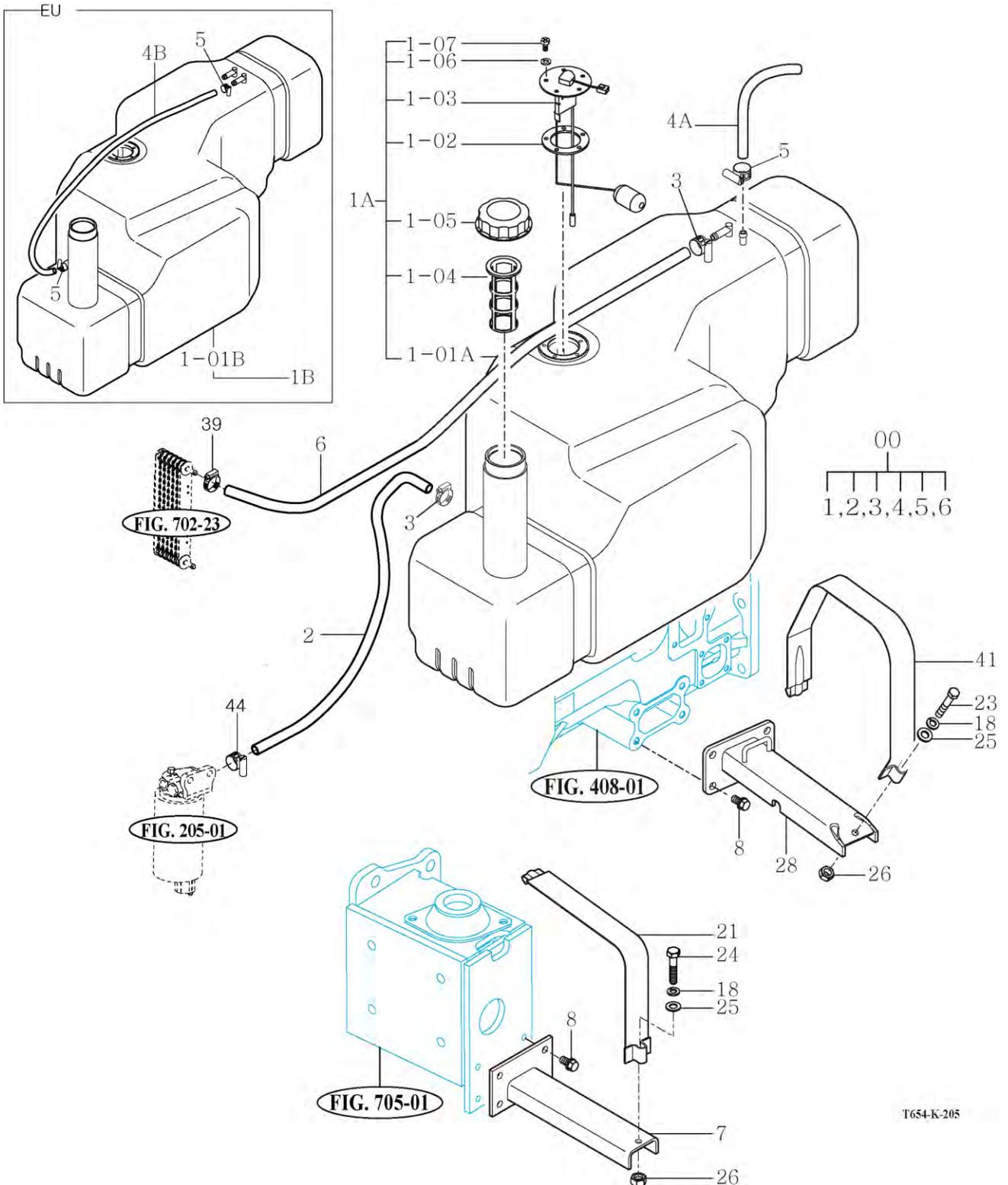
P1

Year

2015



T654



NOTE

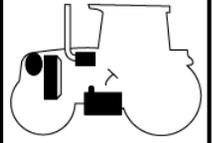
FIG 205

FUEL FILTER & FUEL PUMP

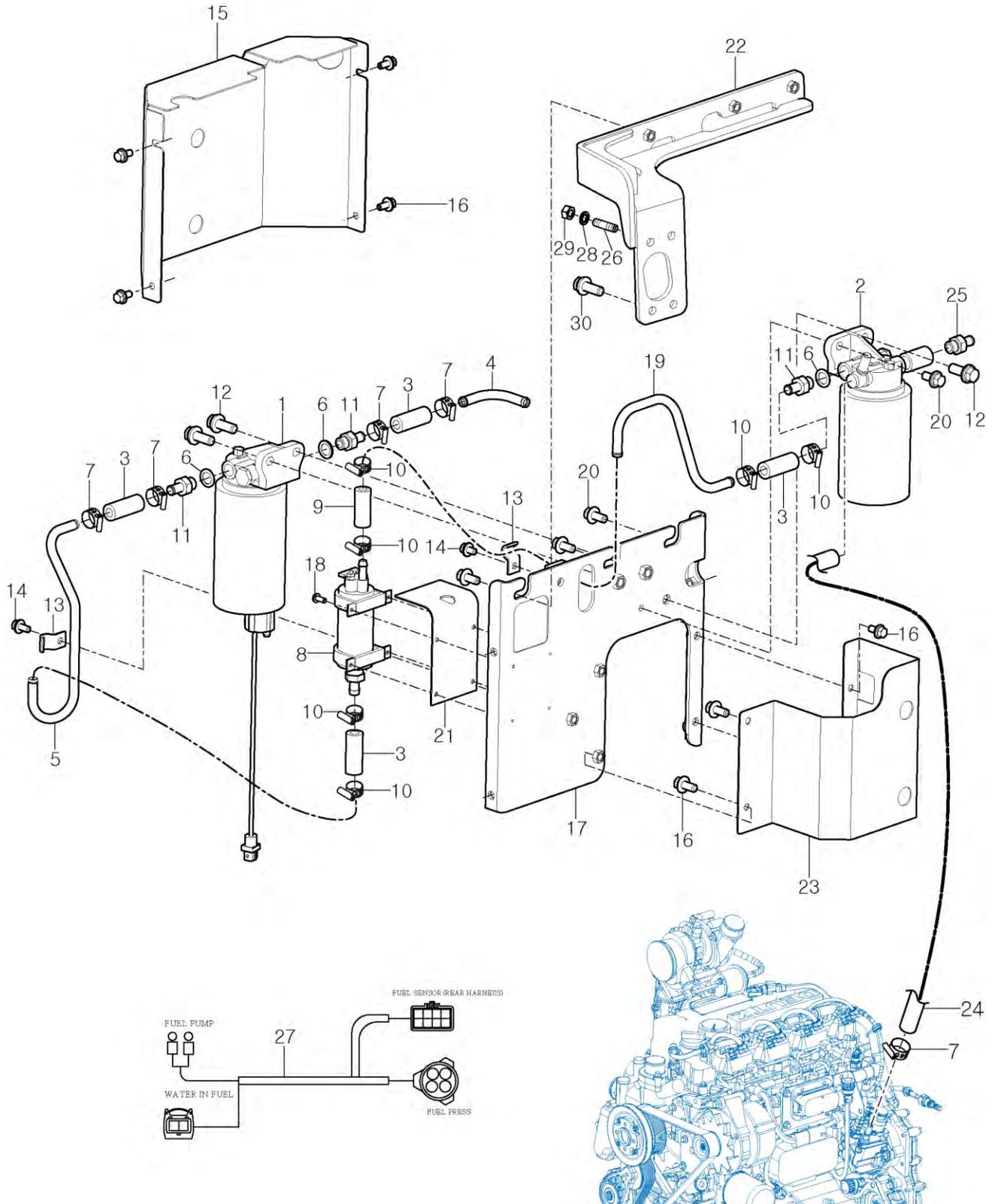
P1

Year

2015



T654



NOTE

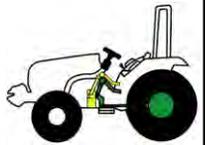
FIG 301

CLUTCH

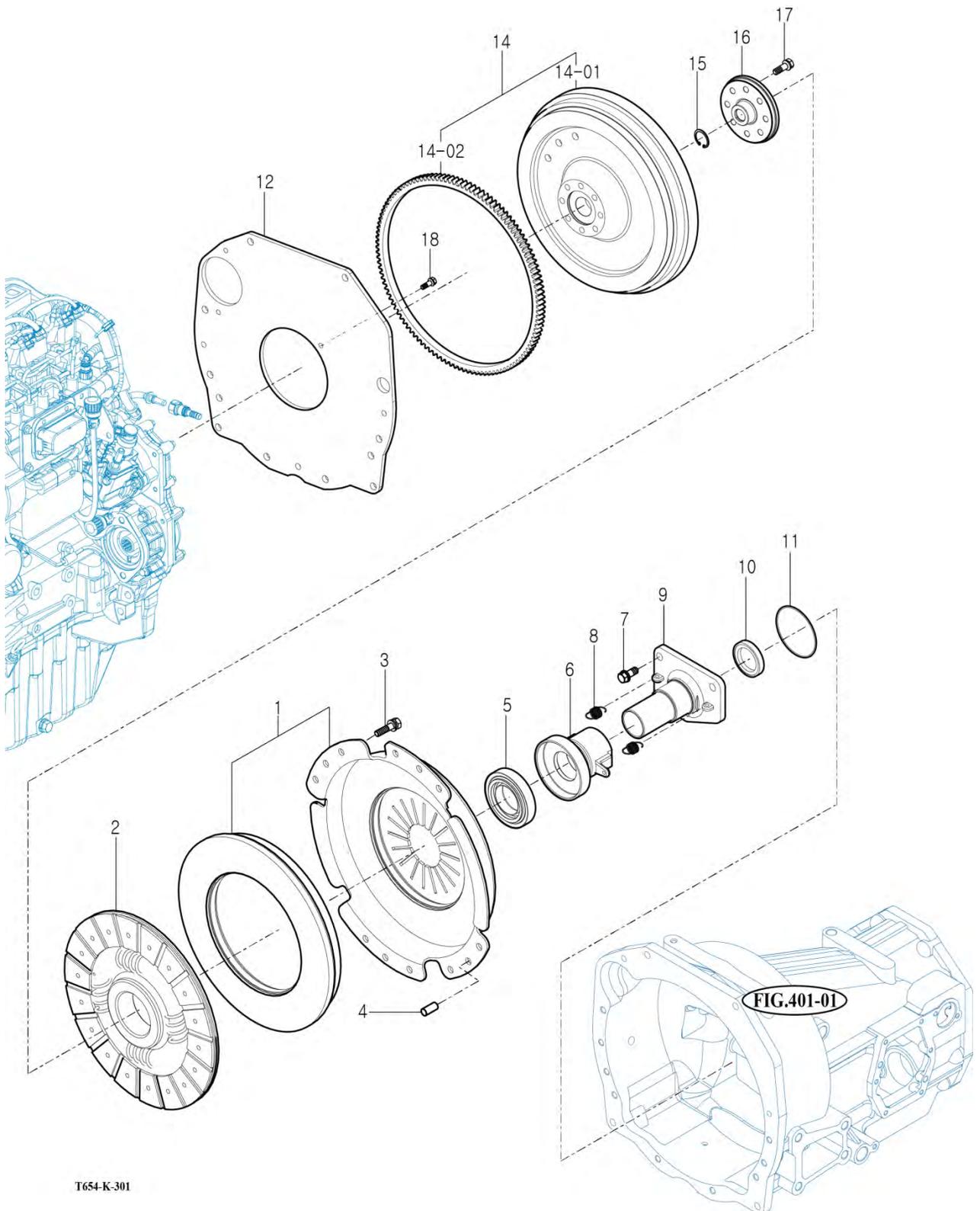
P1

Year

2015



T654



T654-K-301

NOTE

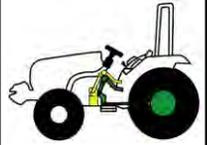
FIG 302

CLUTCH PEDAL

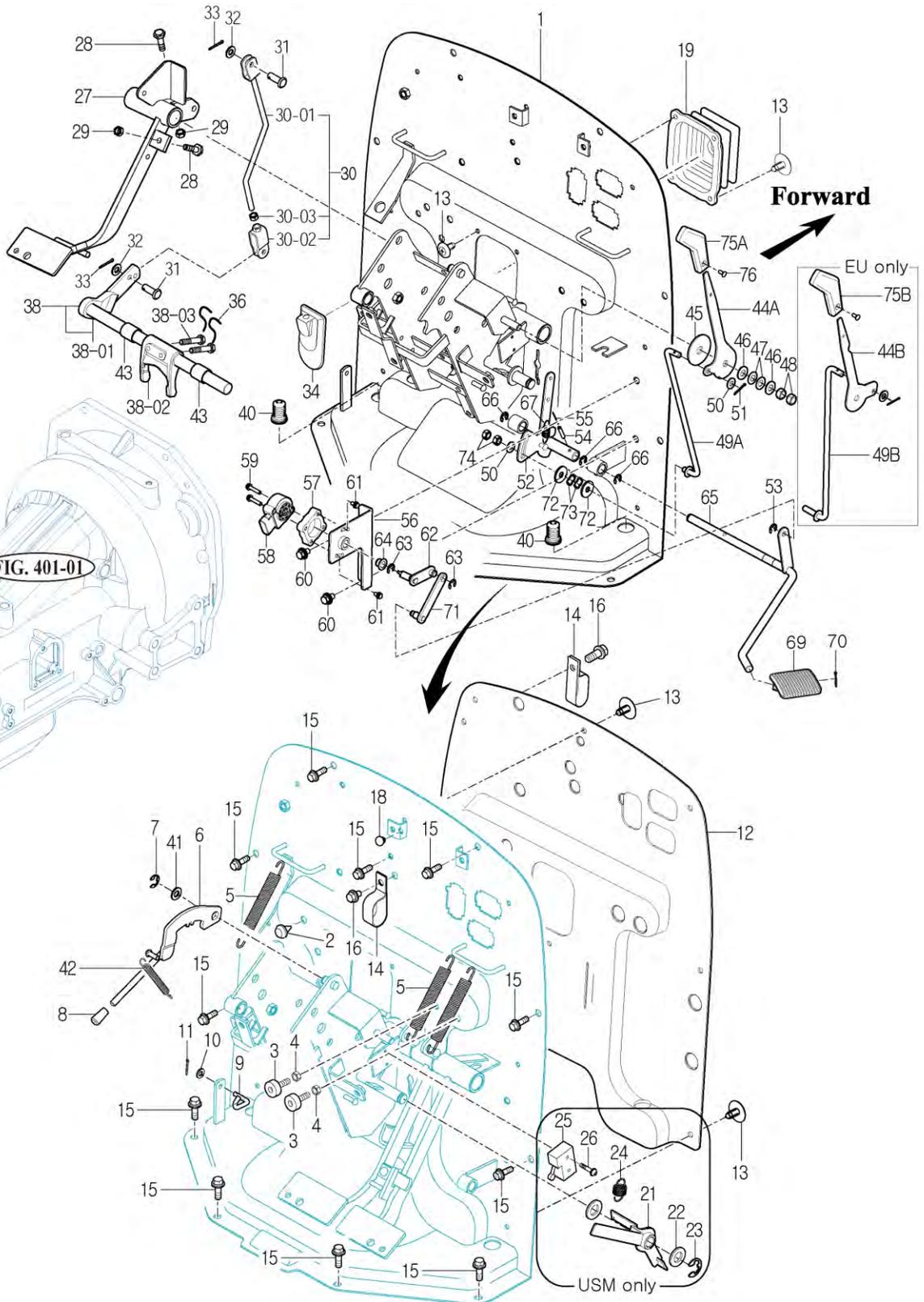
P1

Year

2015



T654



NOTE

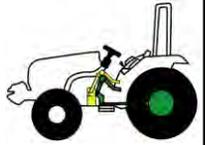
FIG 302

CLUTCH PEDAL

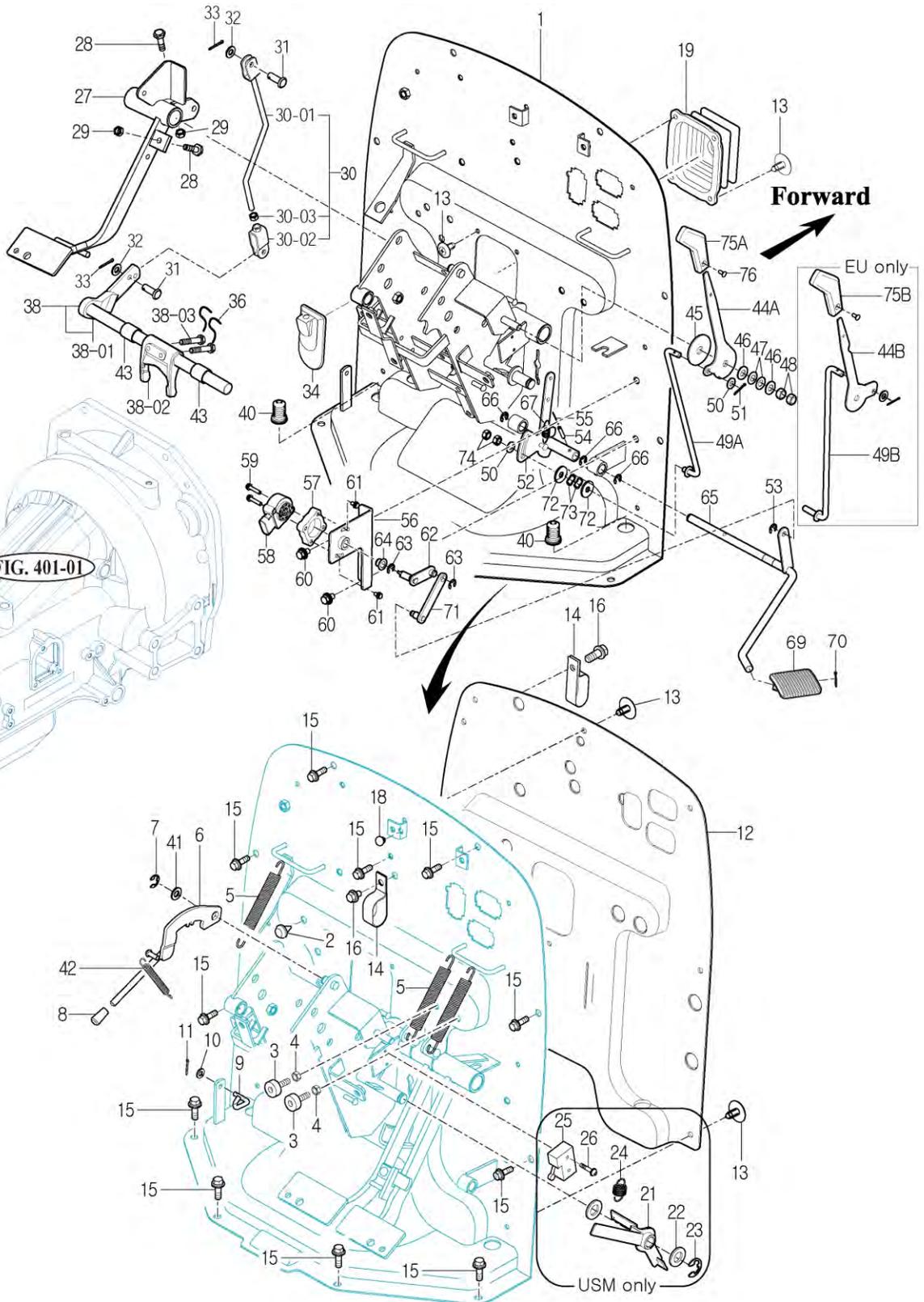
P2

Year

2015



T654



NOTE

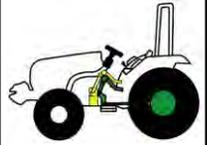
FIG 304

BRAKE PEDAL & LINK

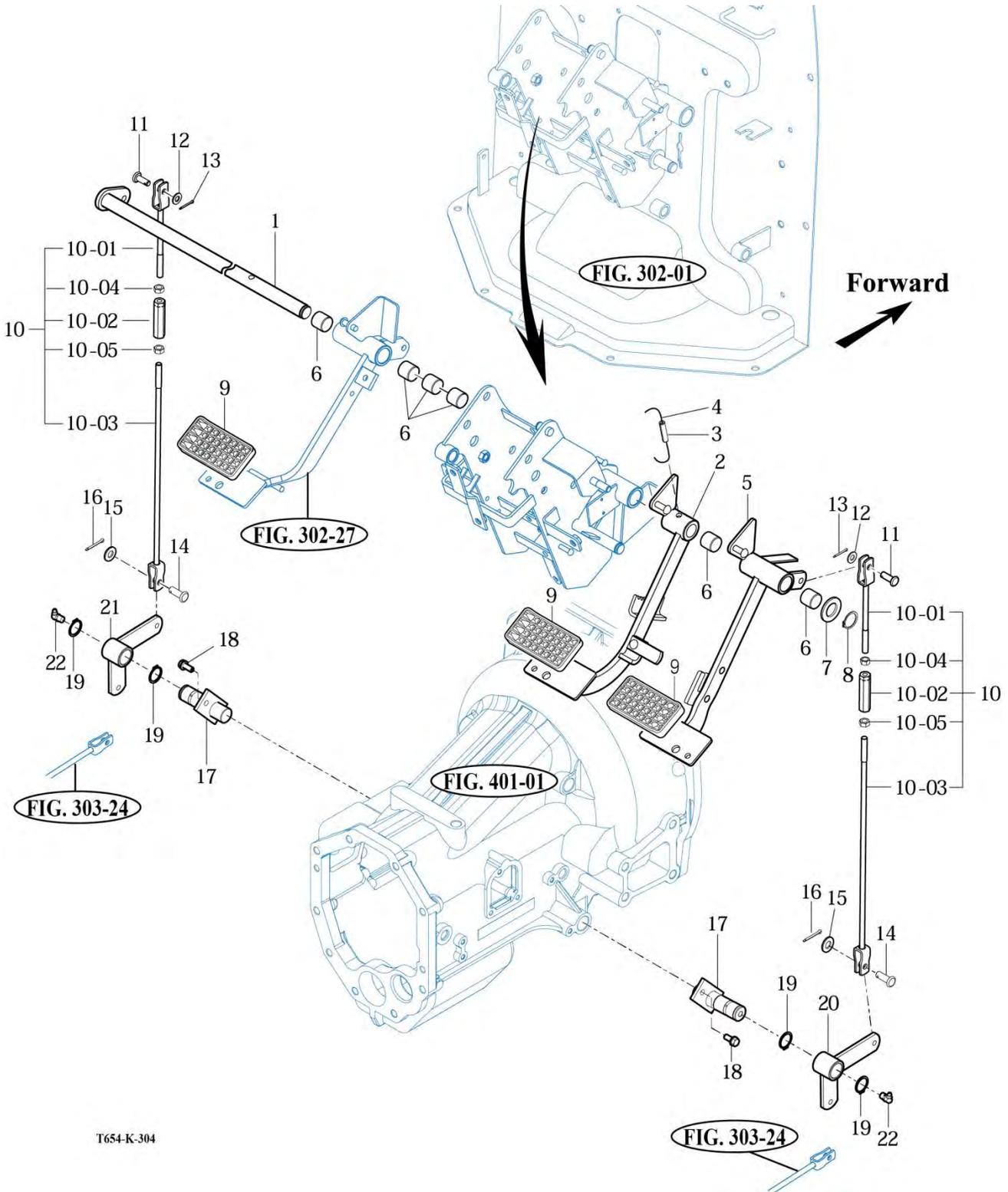
P1

Year

2015



T654



T654-K-304

NOTE

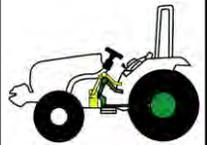
FIG 305

FRONT WHEEL

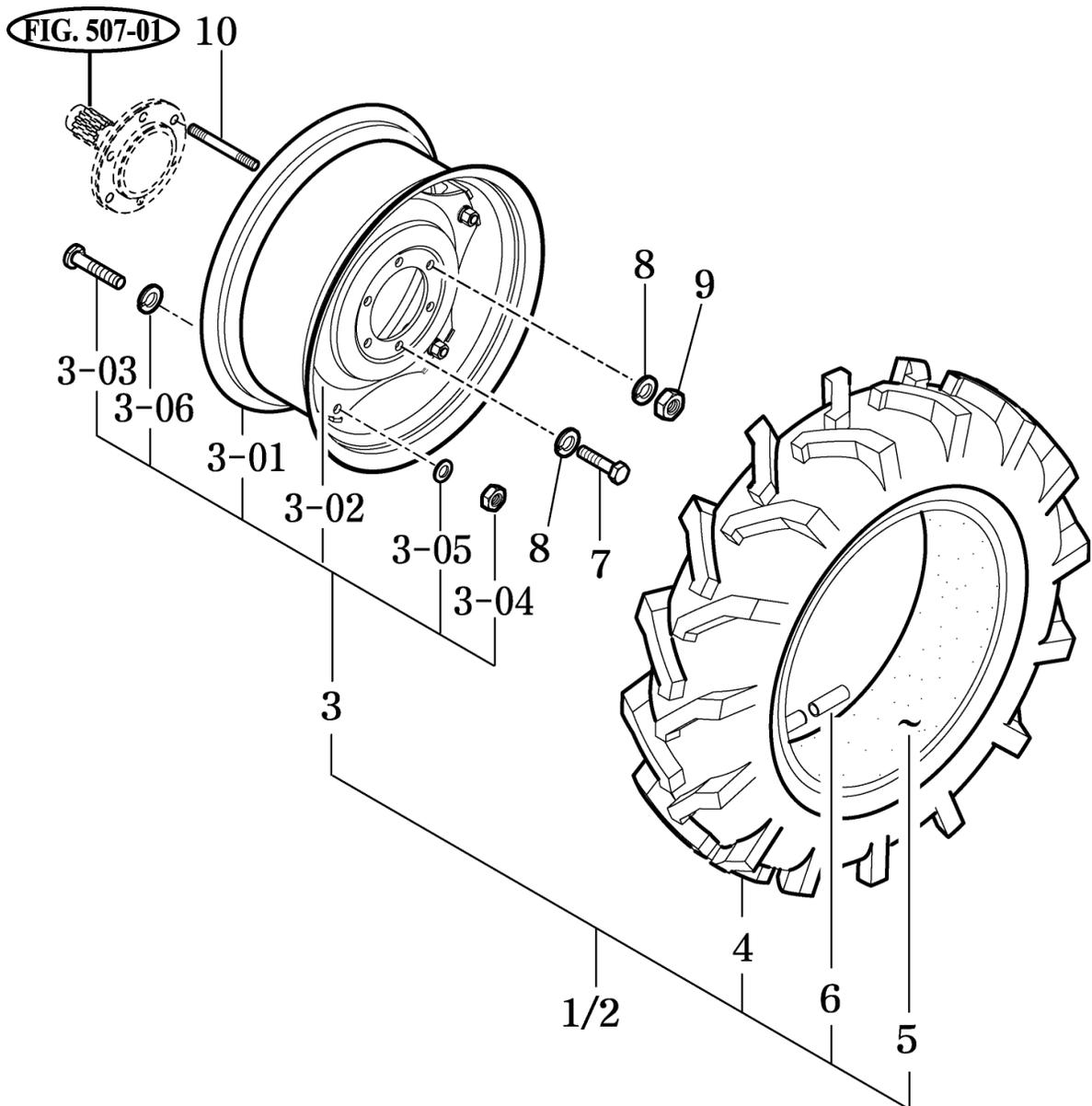
P1

Year

2015



T654



T552/T552NC-K-305A

NOTE

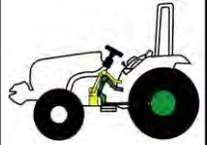
FIG 306

REAR WHEEL

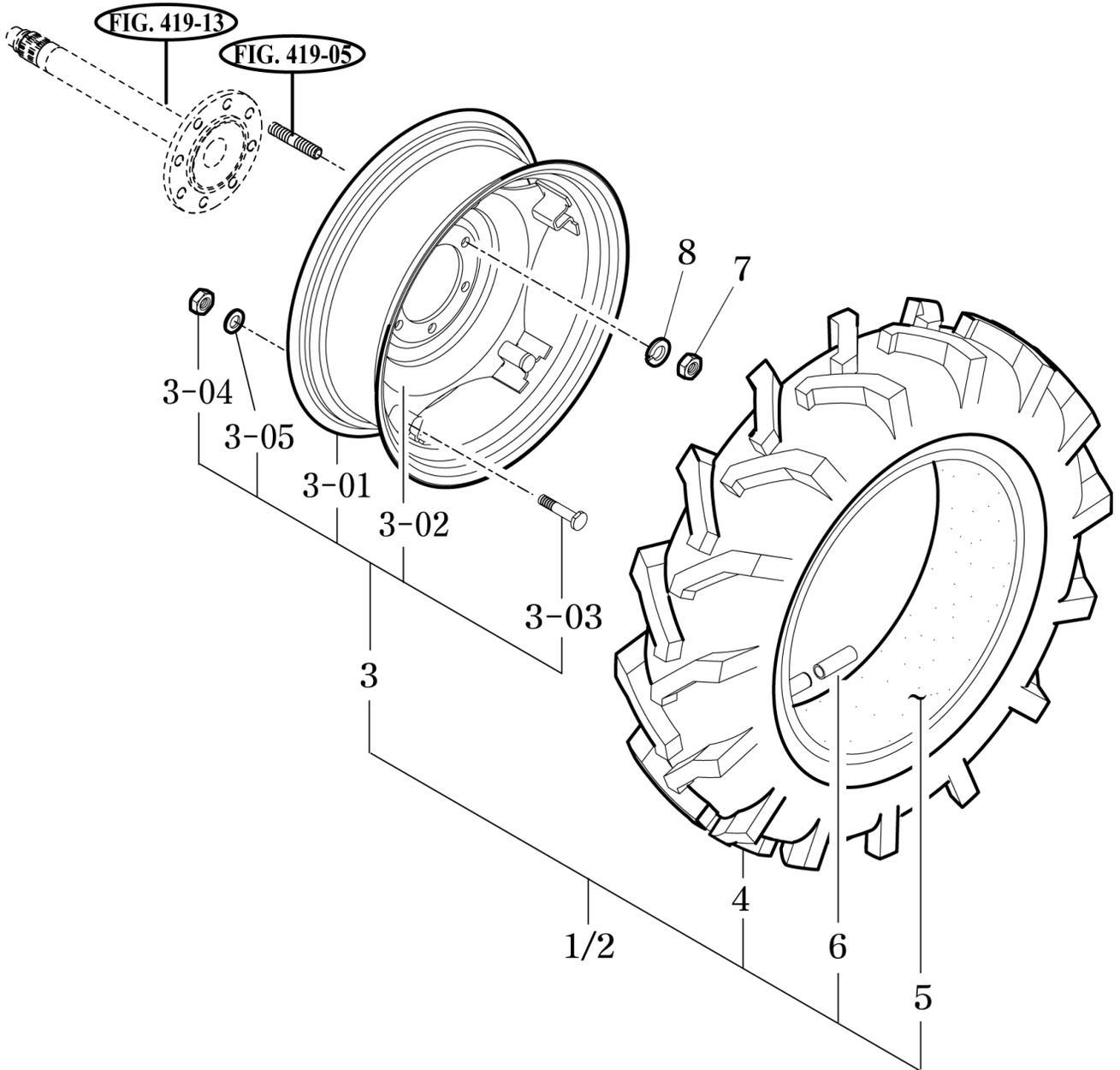
P1

Year

2015

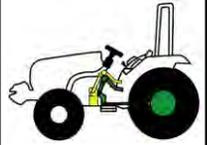


T654

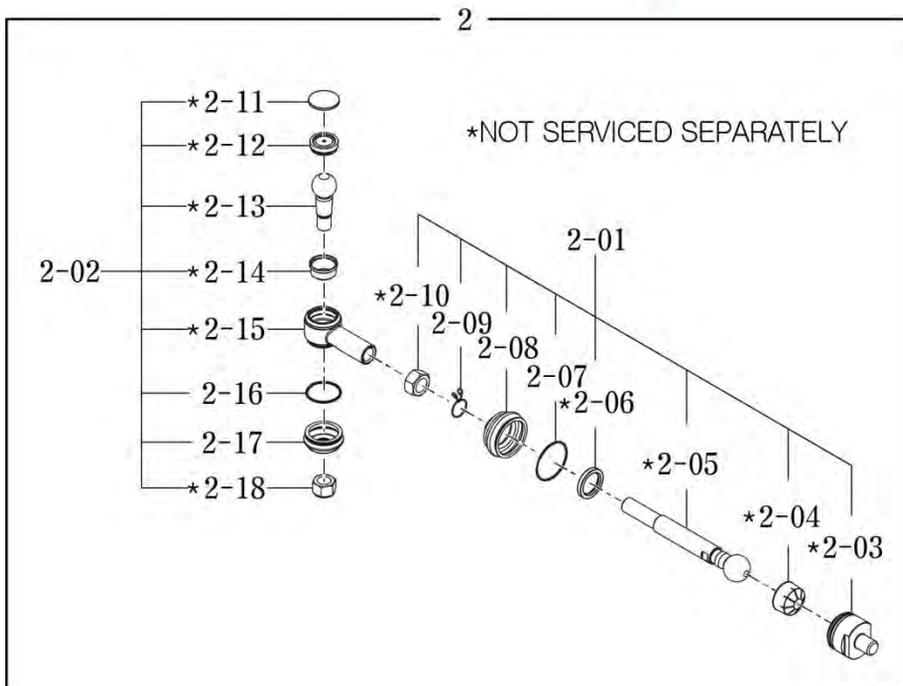
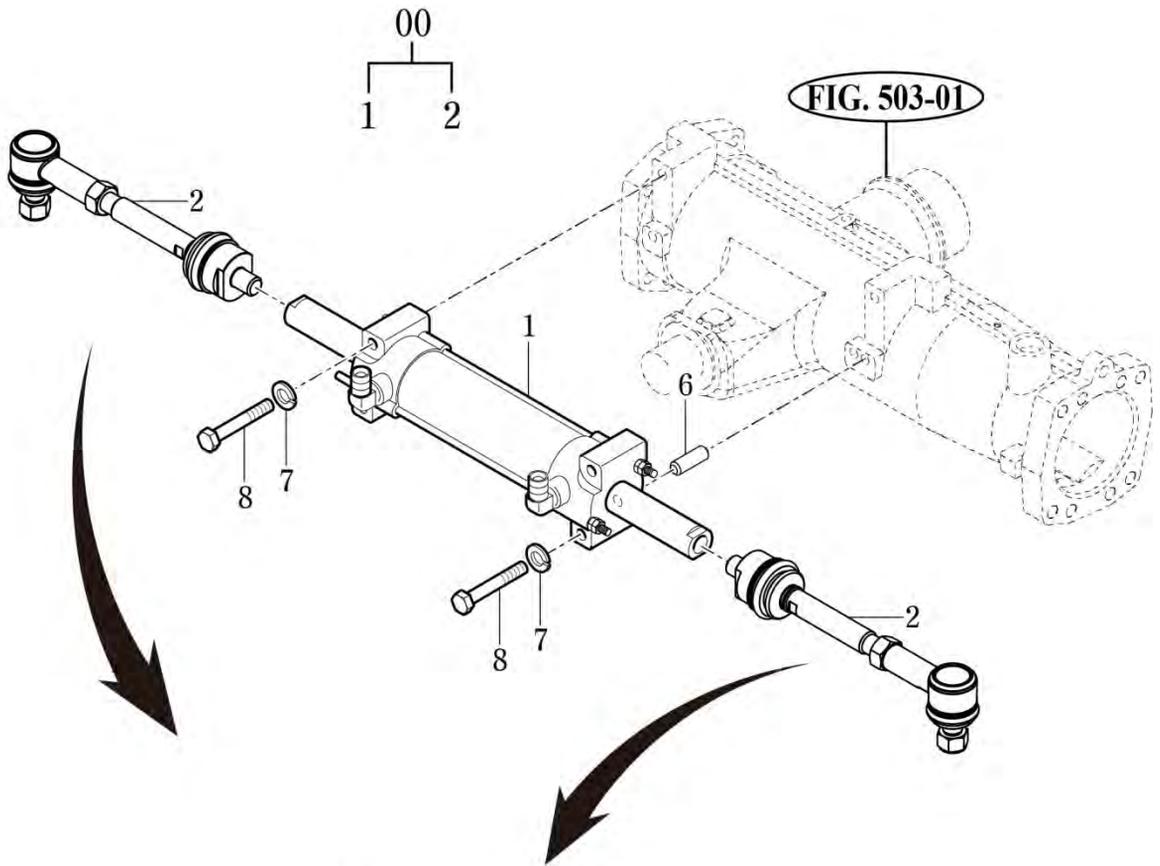


T623STQP-K-306

NOTE



T654



TX553/653/703-K-309

NOTE

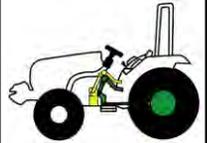
FIG 310

HAND BRAKE & BRAKE(EU)

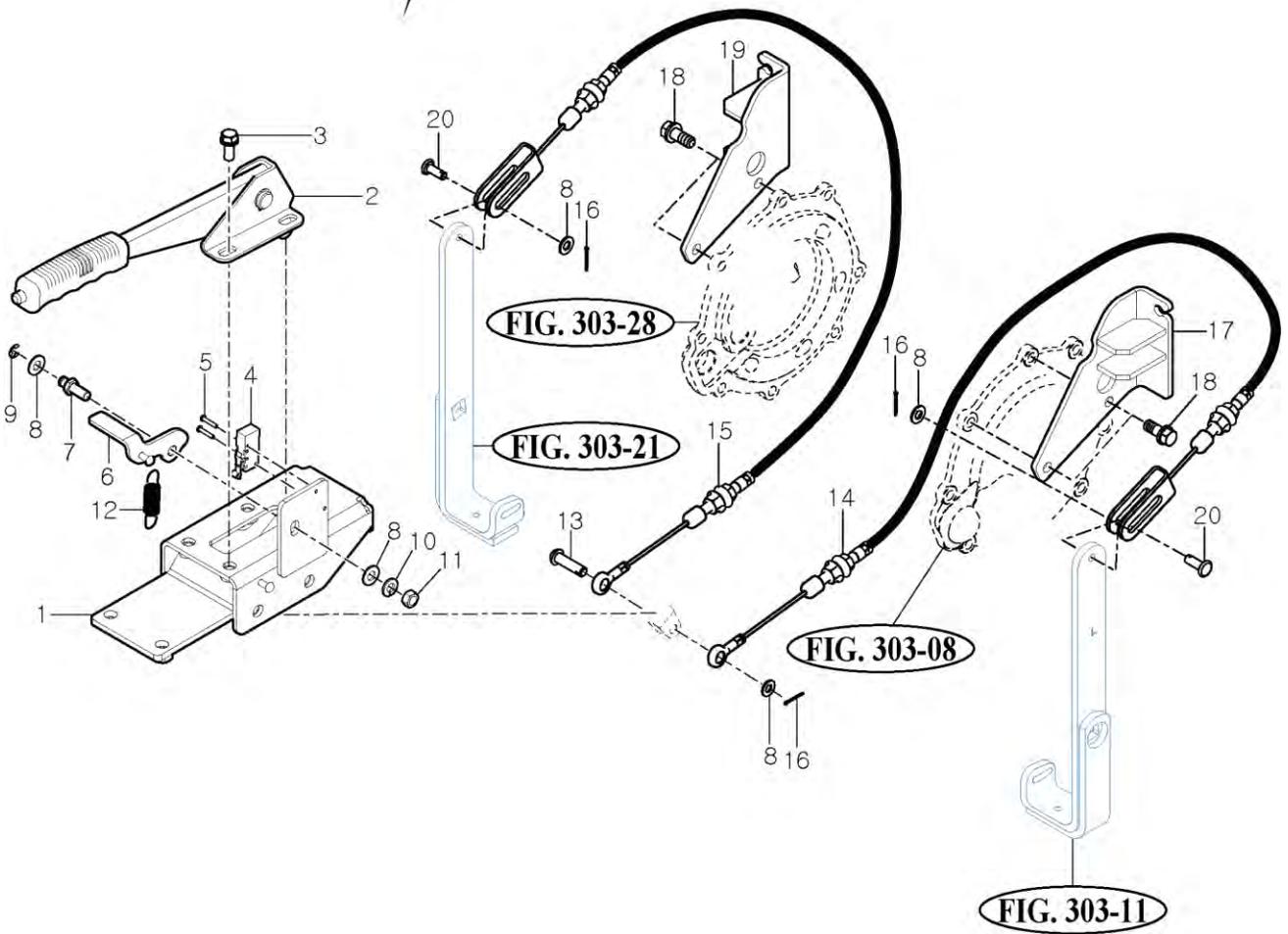
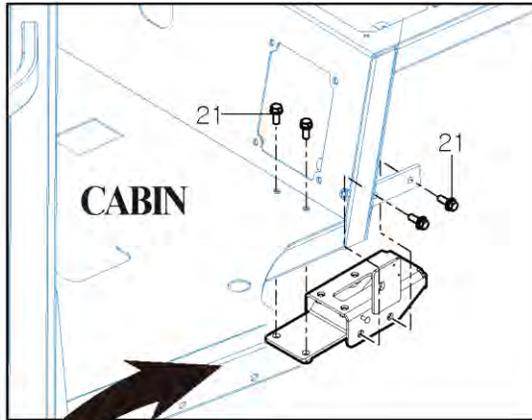
P1

Year

2015



T654



NOTE

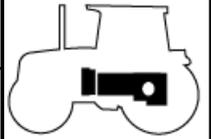
FIG 401

TRANSMISSION FRONT CASE

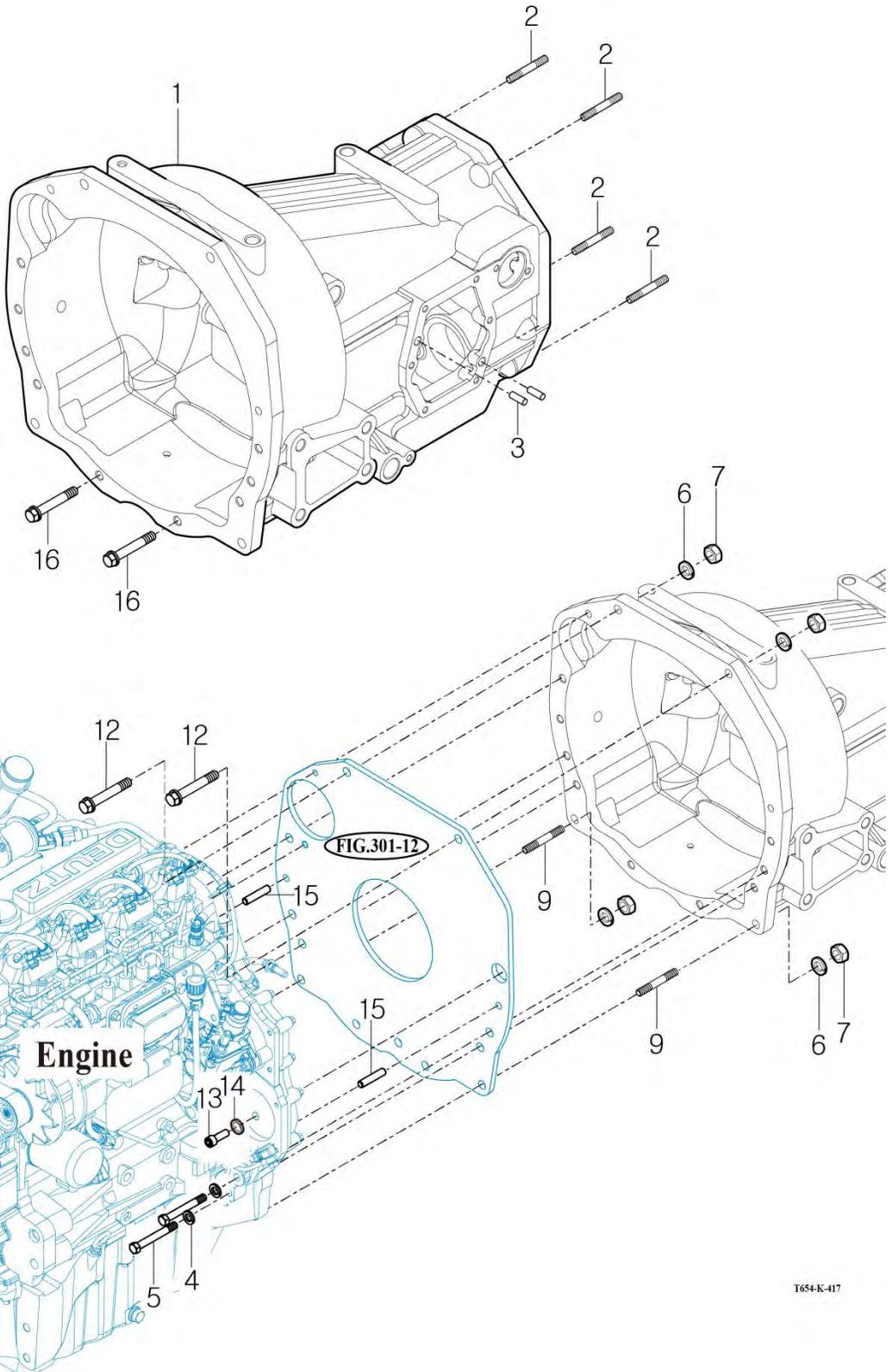
P1

Year

2015



T654



T654-K-417

NOTE

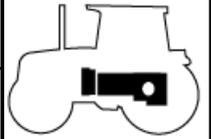
FIG 402

FORWARD & BACKWARD GEARS

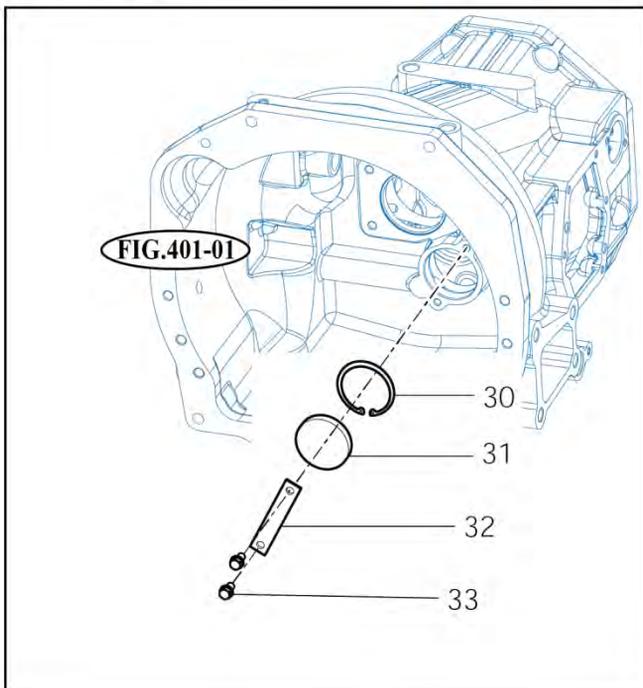
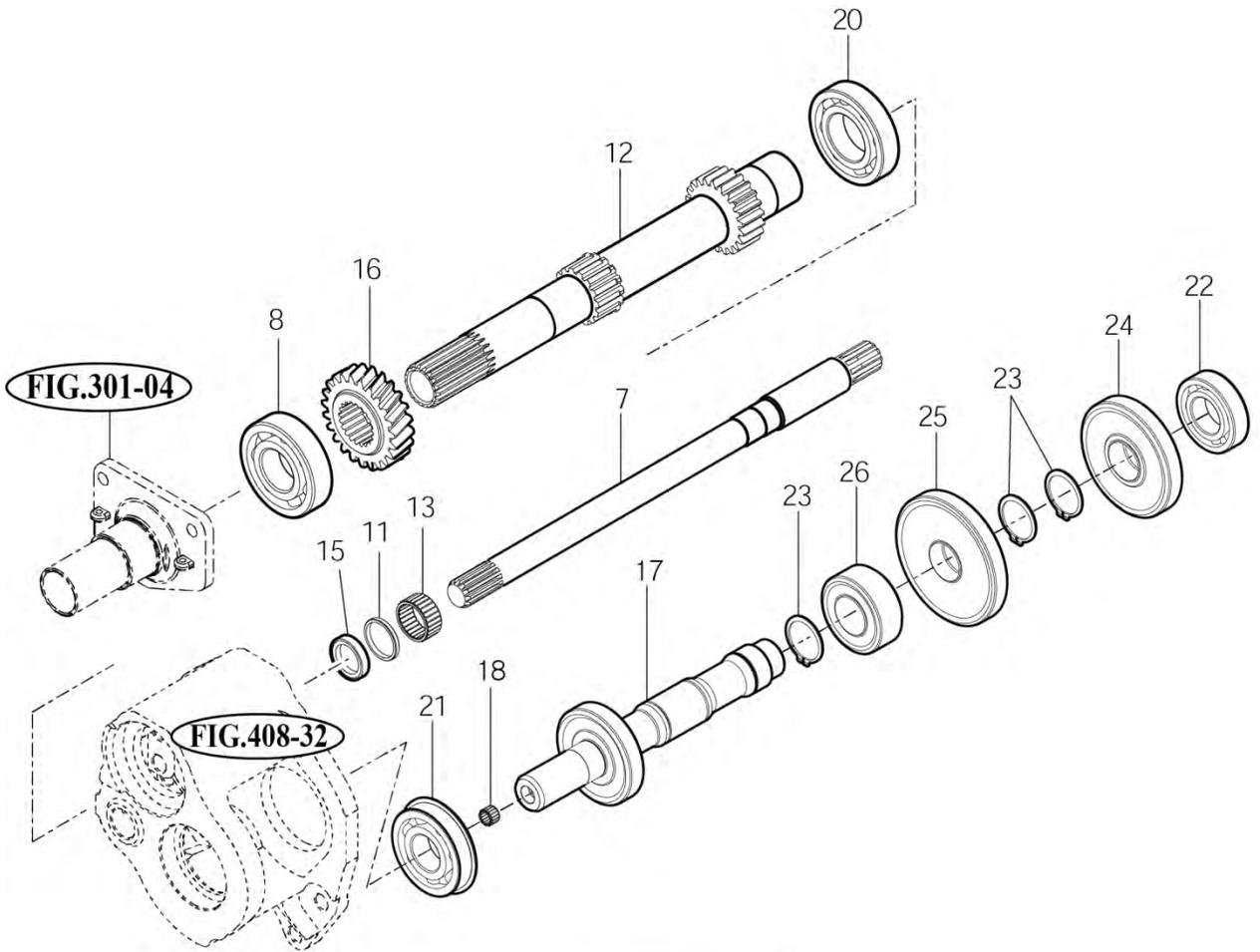
P1

Year

2015



T654



*NOT SERVICED SEPARATELY

T654-E-402

NOTE

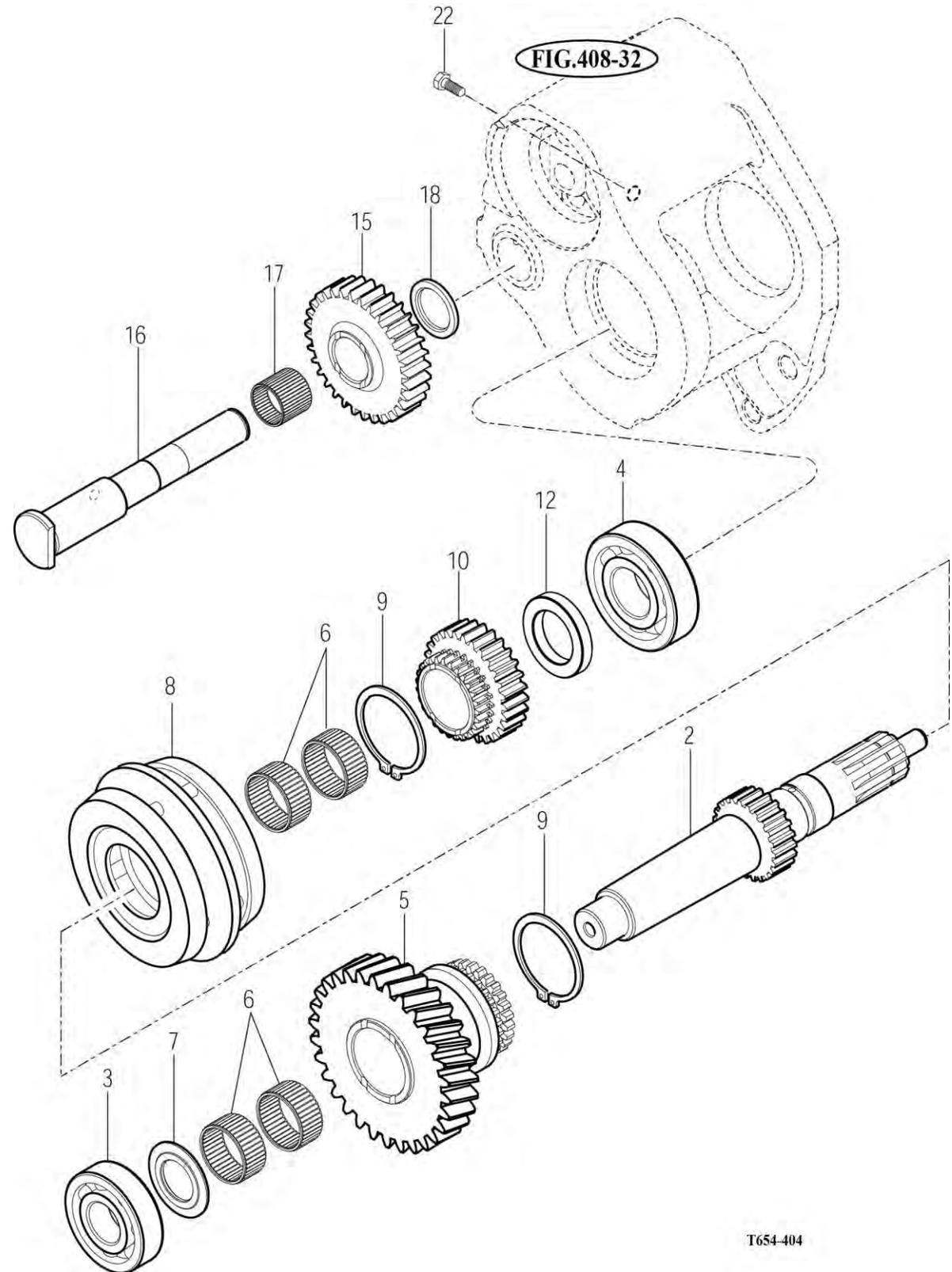
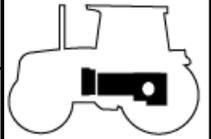
FIG 404

REVERSE GEARS

P1

Year

2015



T654-404

NOTE

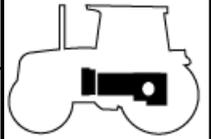
FIG 405

P.T.O DRIVE SHAFT

P1

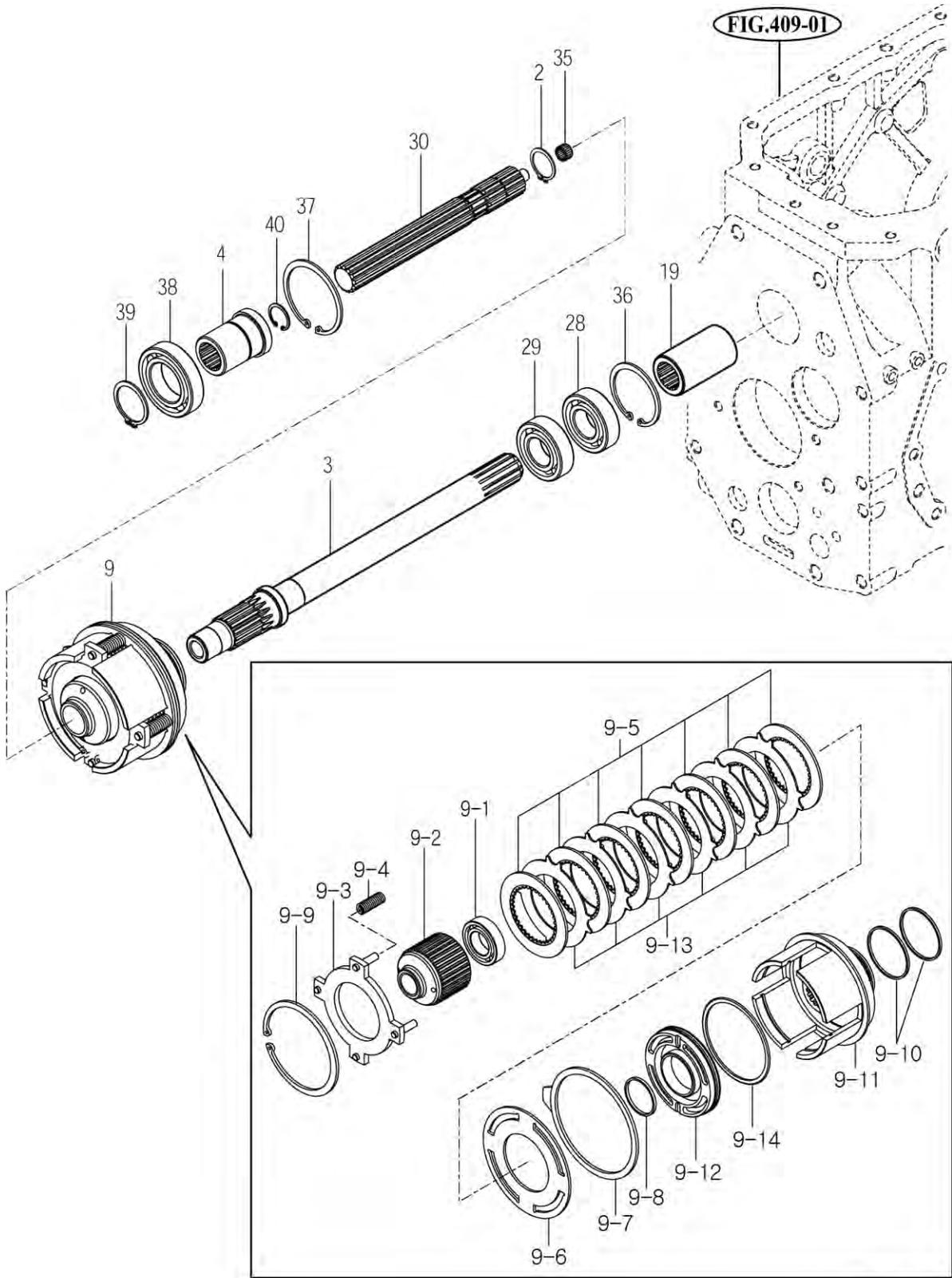
Year

2015



T654

FIG.409-01



T543/T603-E-405A

NOTE

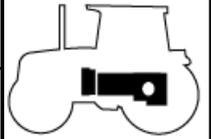
FIG 406

MAIN CHANGE LEVER

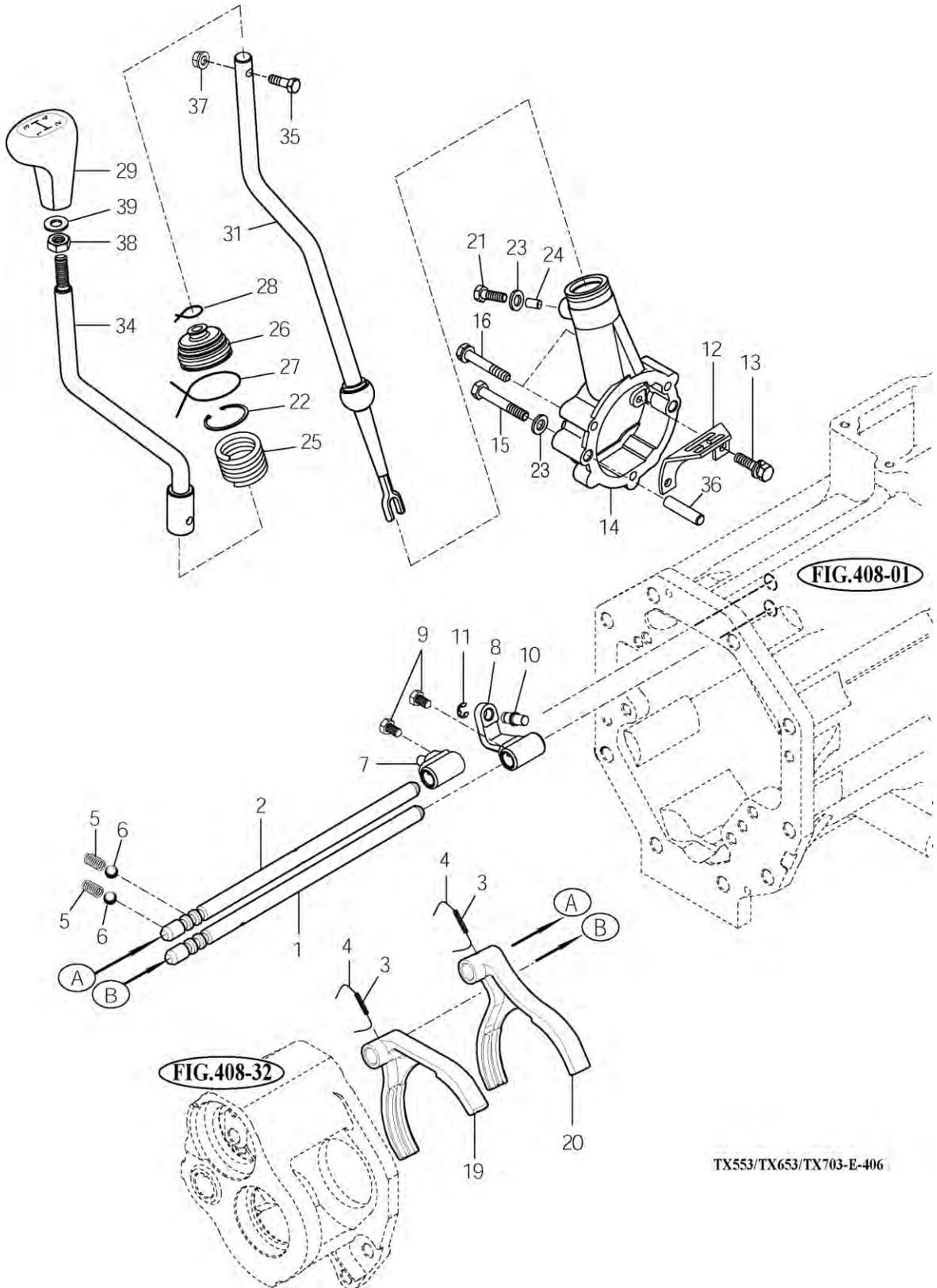
P1

Year

2015



T654



TX553/TX653/TX703-E-406

NOTE

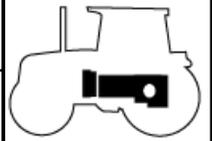
FIG 407

REVERSE CHANGE LEVER

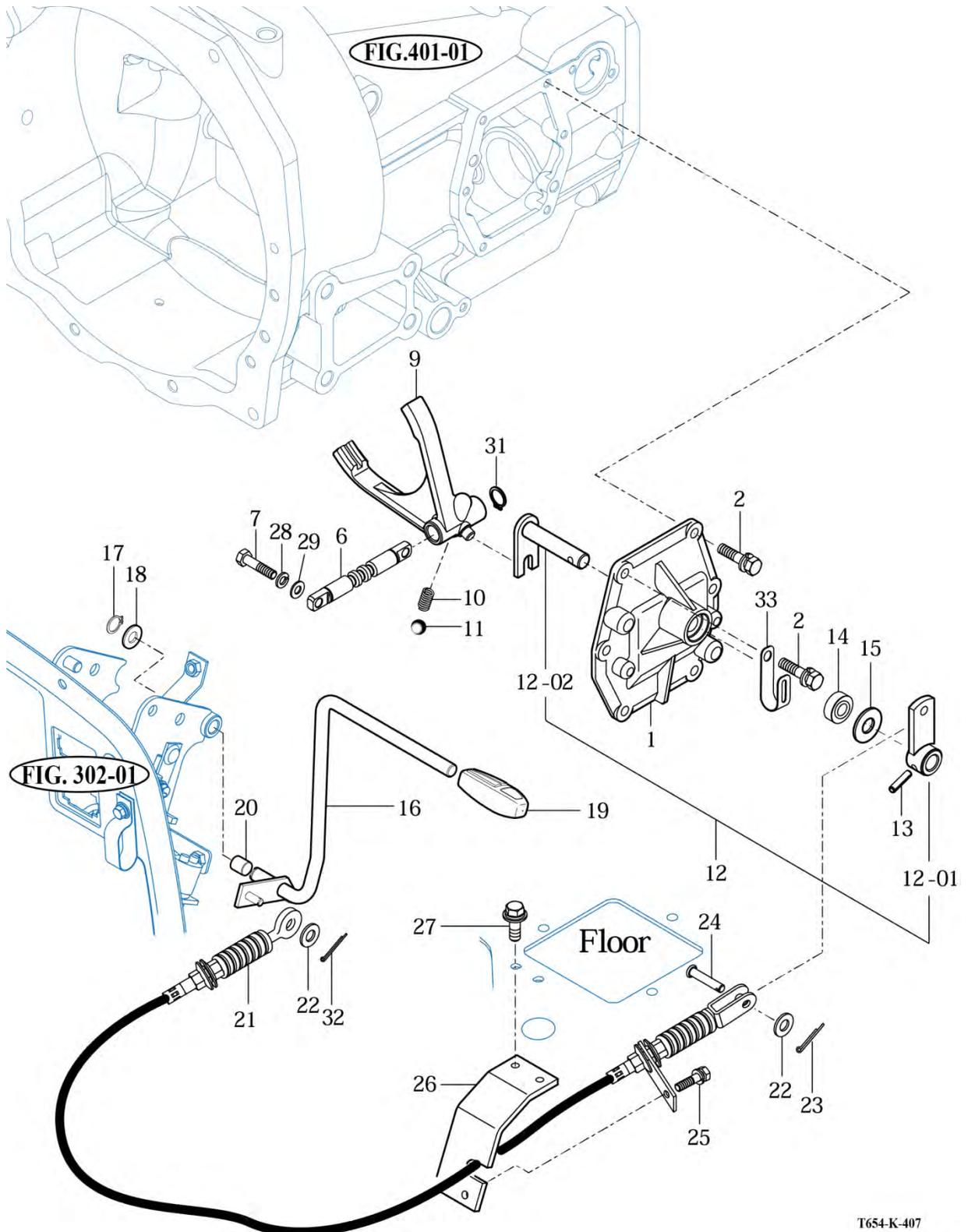
P1

Year

2015



T654



T654-K-407

NOTE

FIG 408

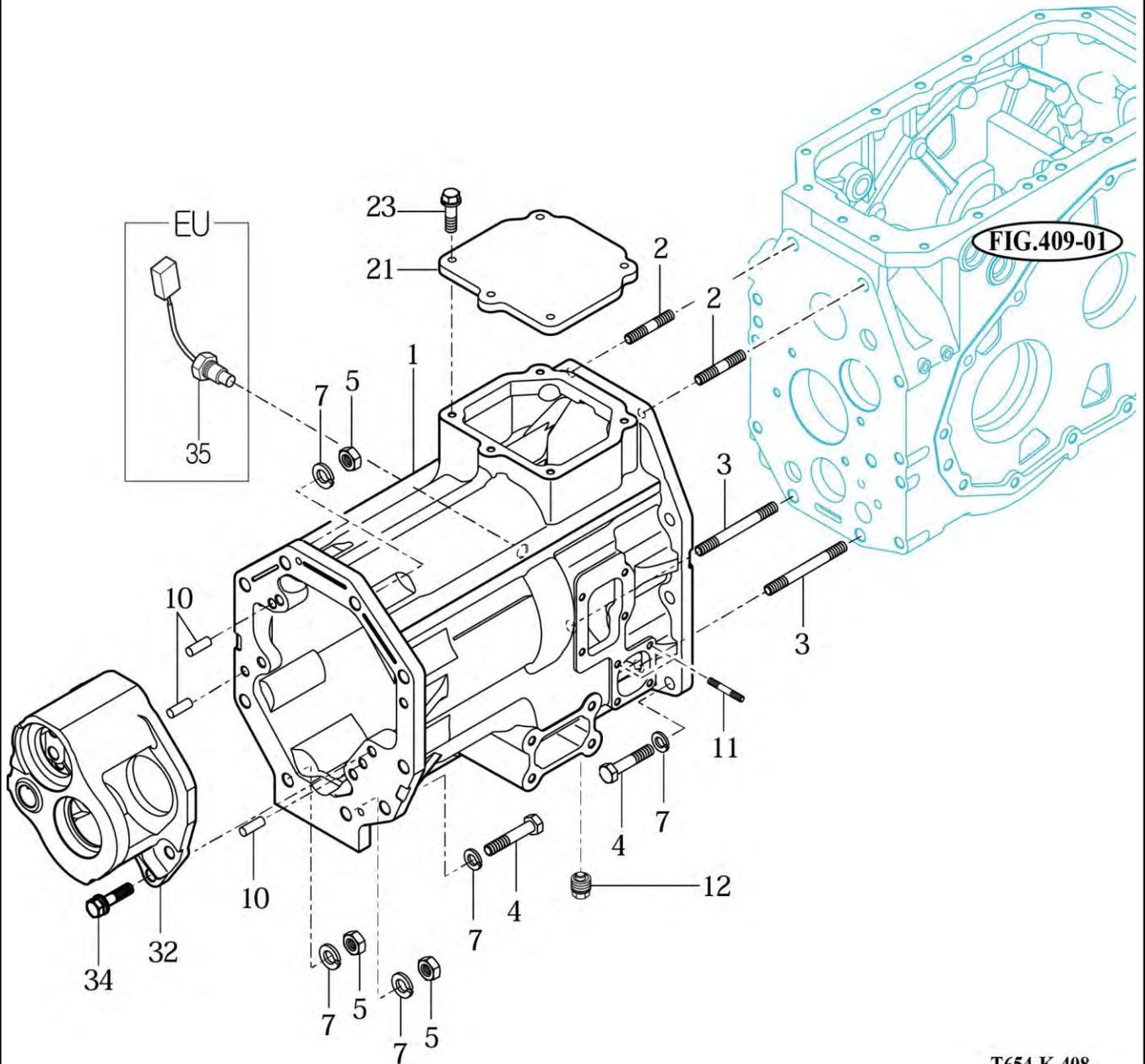
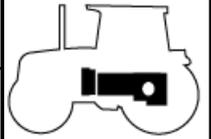
T654

TRANSMISSION MID CASE

P1

Year

2015



T654-K-408

NOTE

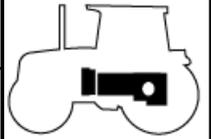
FIG 409

TRANSMISSION REAR CASE

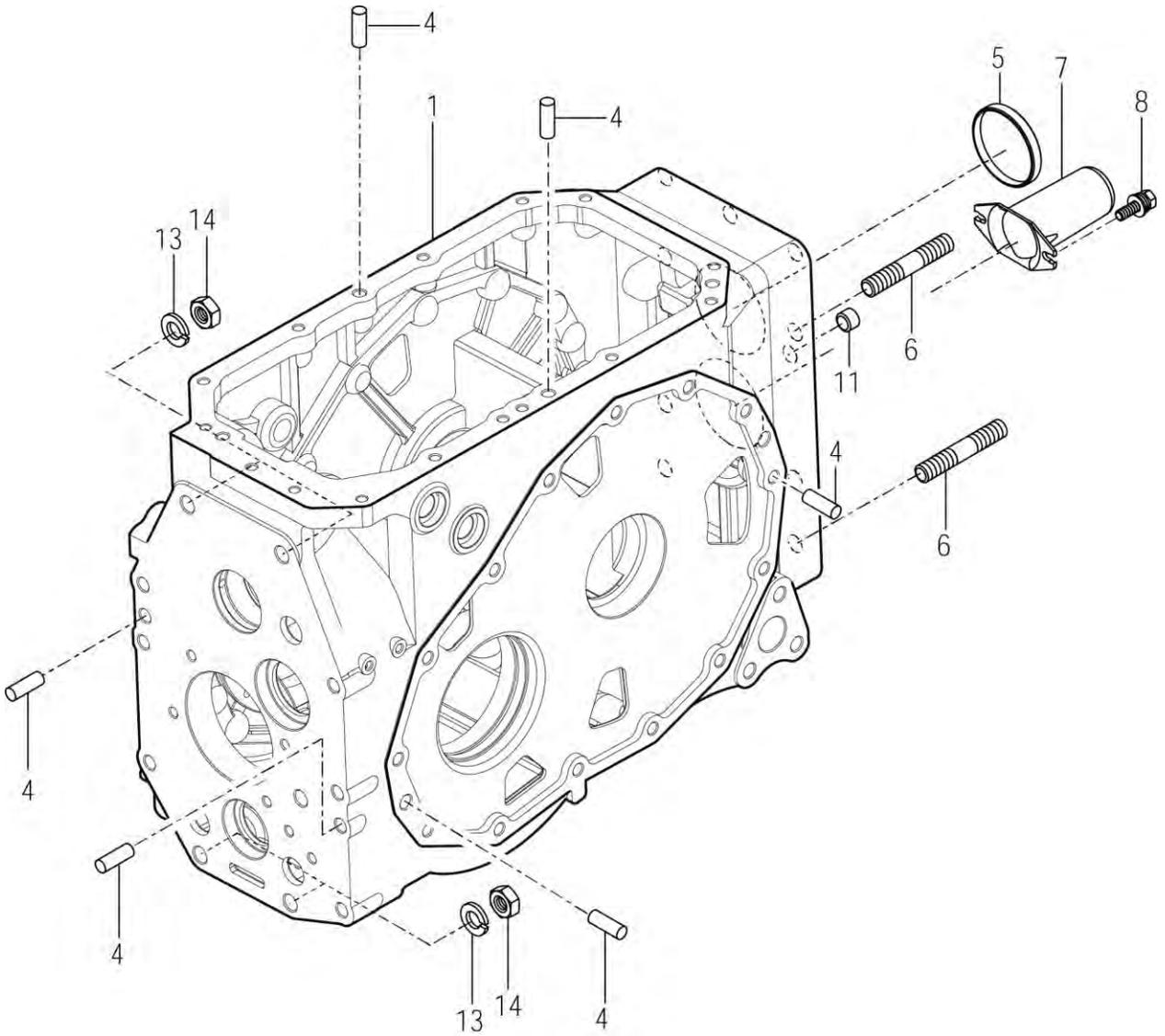
P1

Year

2015



T654



TX553/653/703-E-409

NOTE

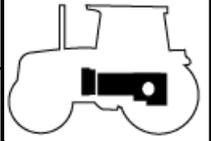
FIG 410

SUB CHANGE GEARS

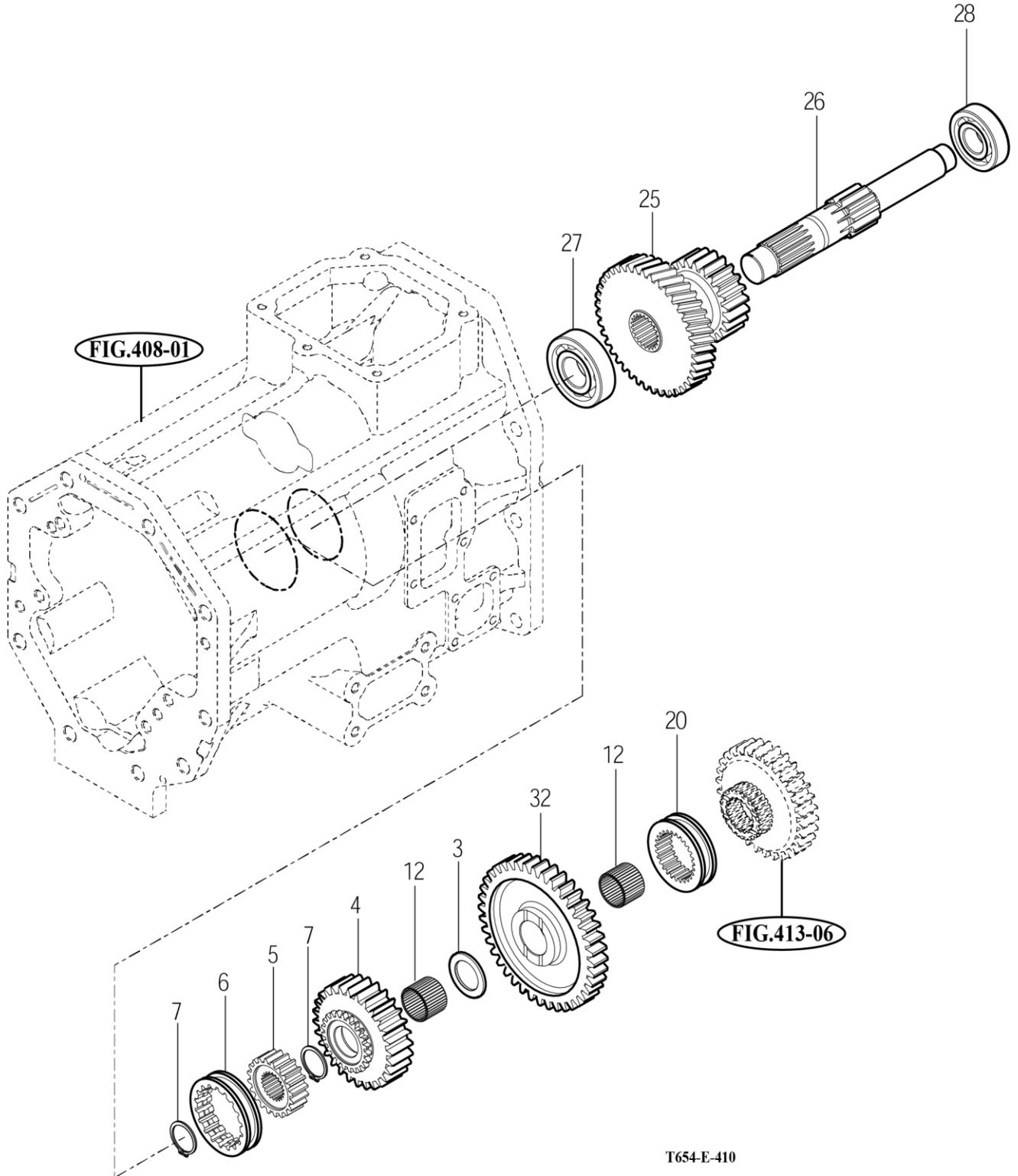
P1

Year

2015



T654



T654-E-410

NOTE

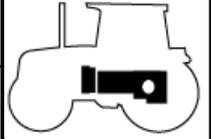
FIG 411

SUB CHANGE SHIFTER

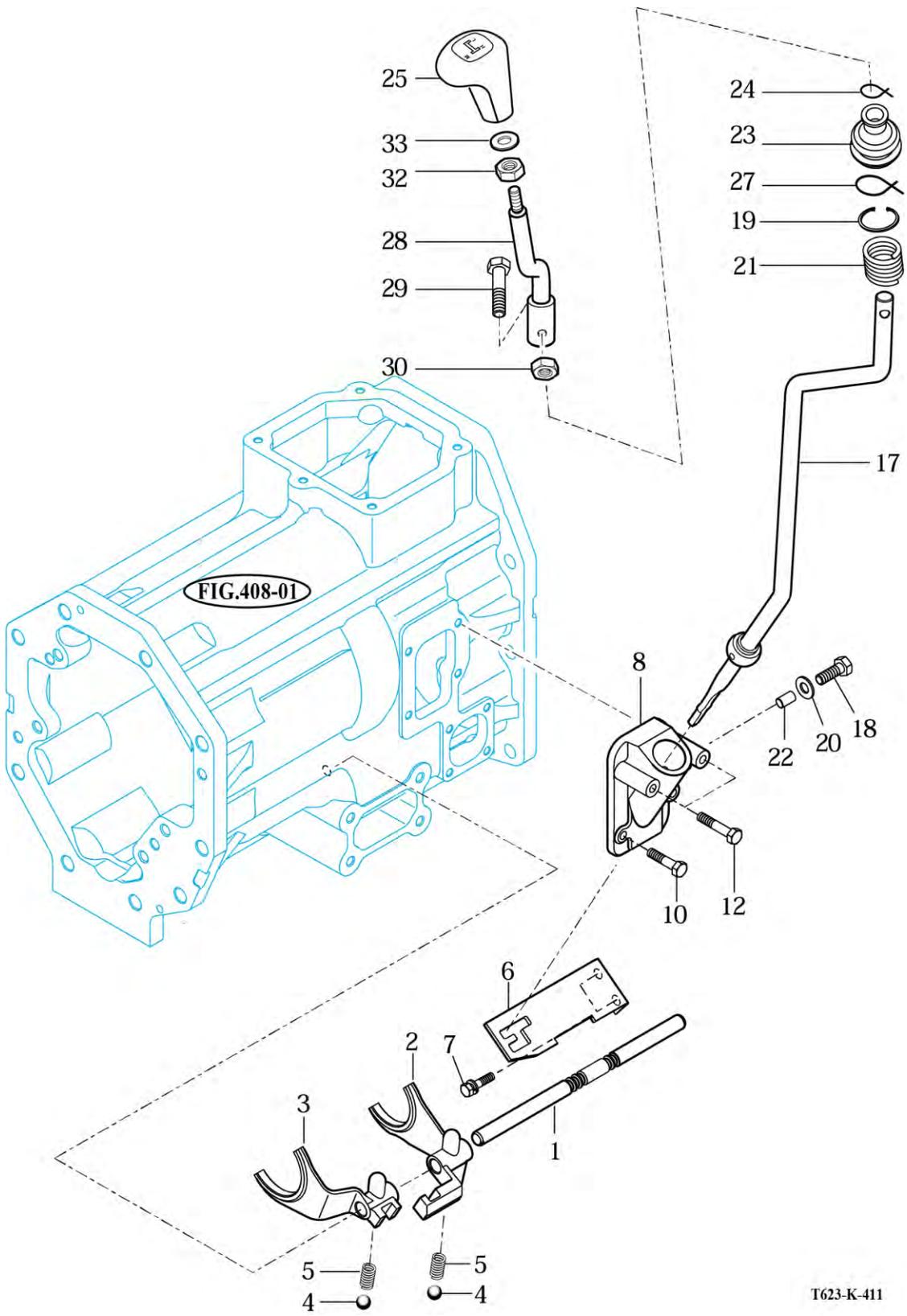
P1

Year

2015



T654



T623-K-411

NOTE

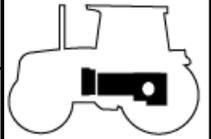
FIG 412

CREEP CHANGE

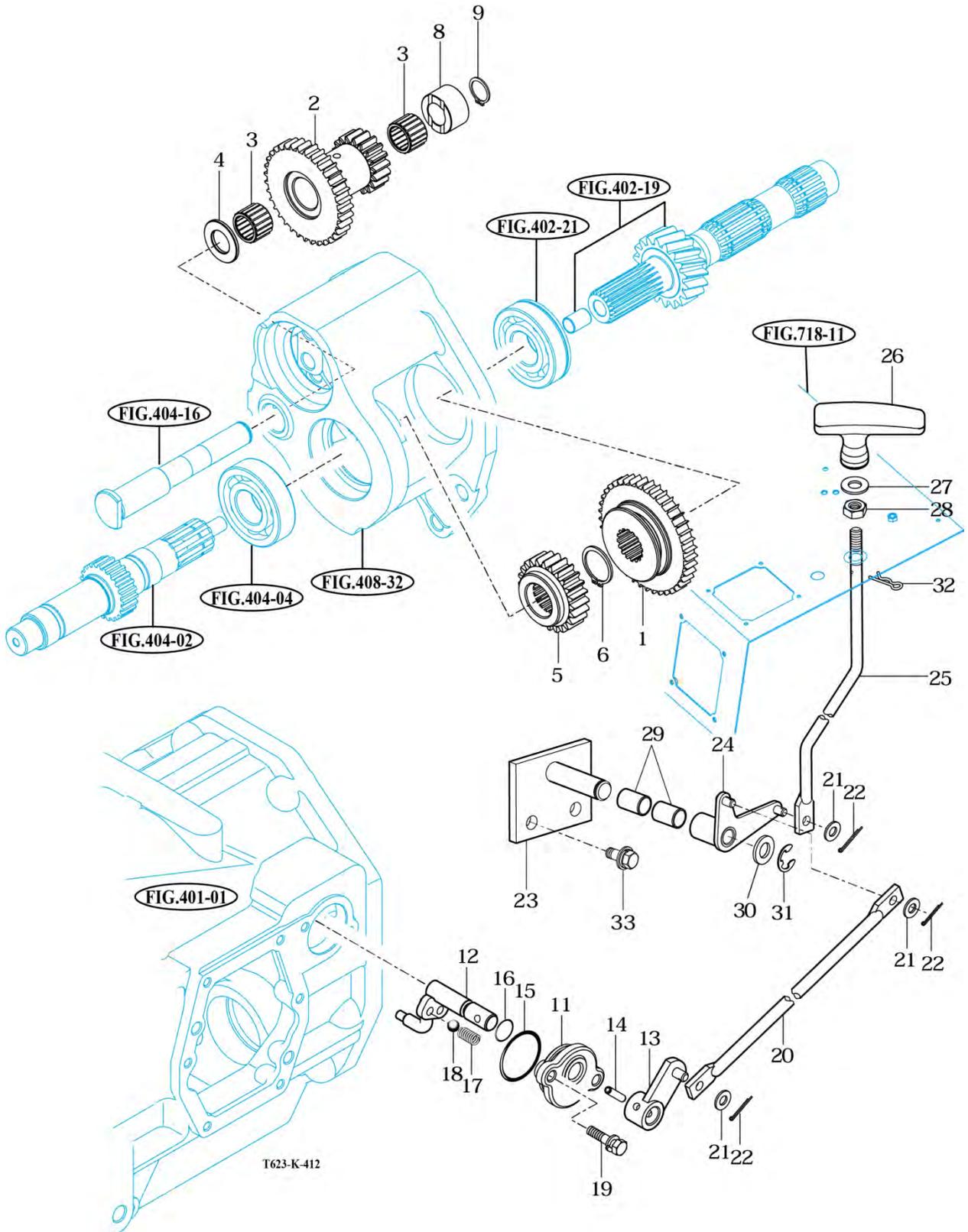
P1

Year

2015



T654



NOTE

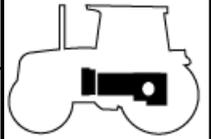
FIG 413

DRIVE GEARS(US)

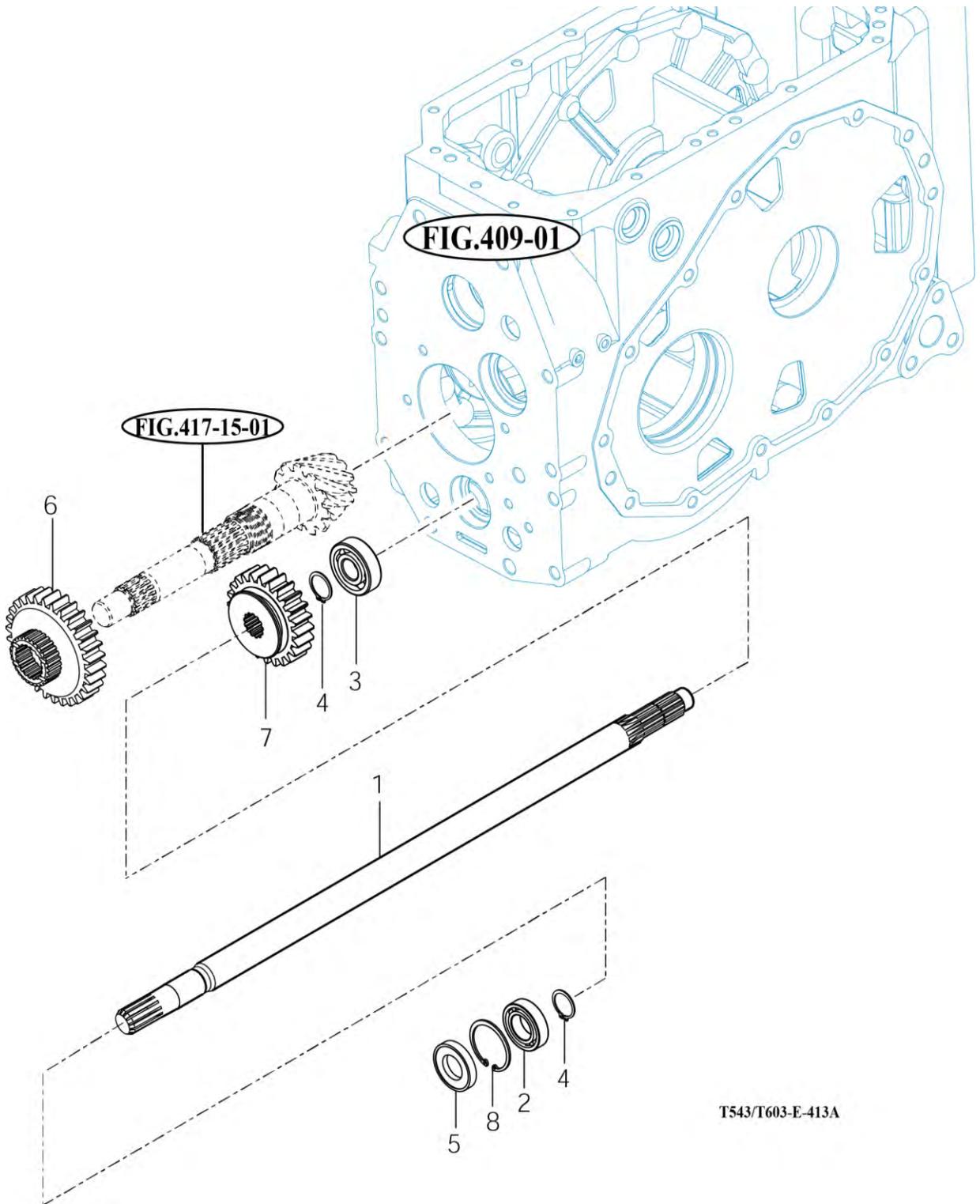
P1

Year

2015



T654



T543/T603-E-413A

NOTE

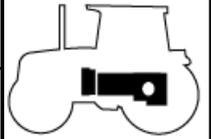
FIG 413

DRIVE GEARS(EU)

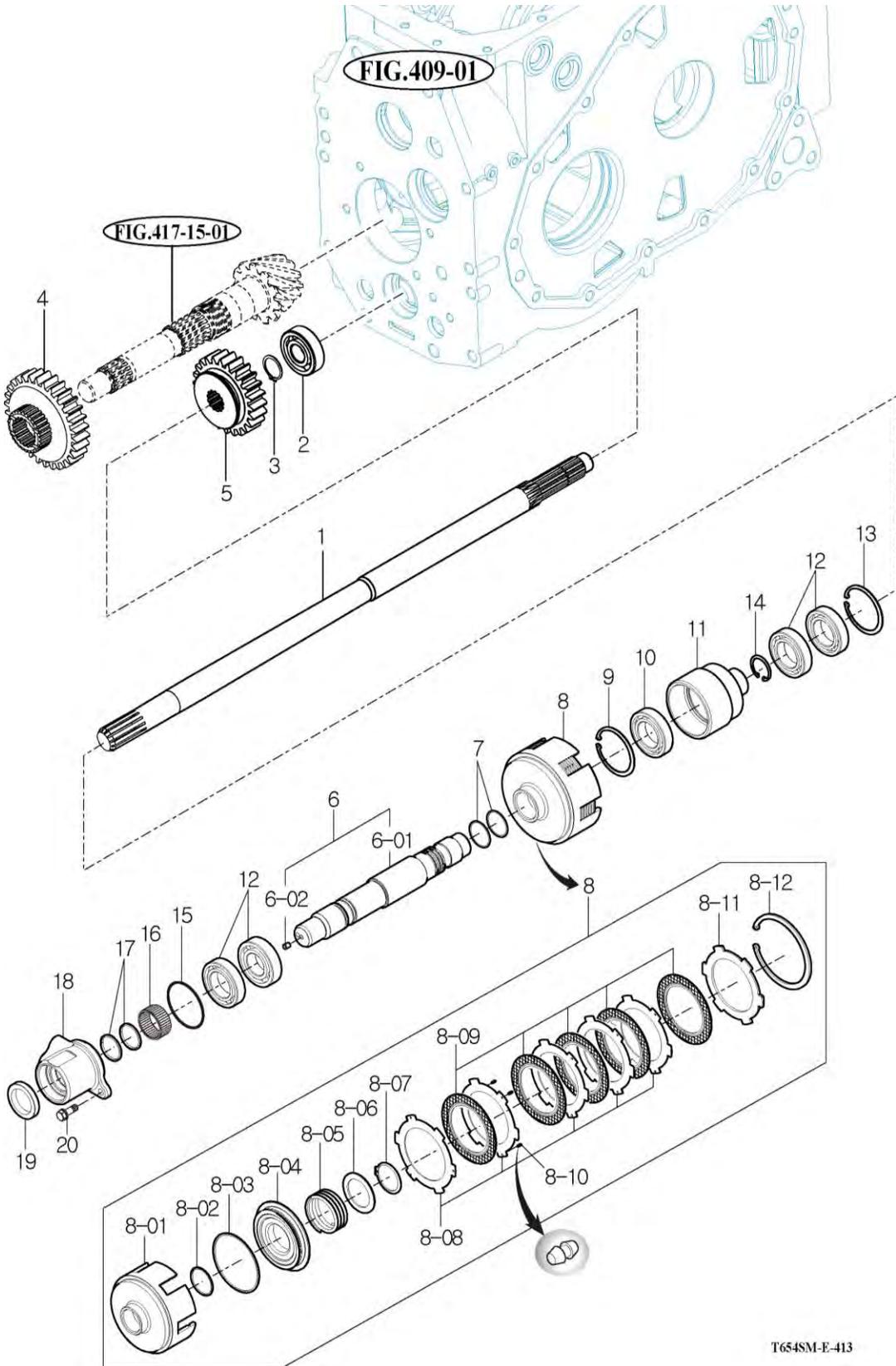
P2

Year

2015



T654



T654SM-E-413

NOTE

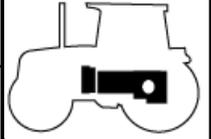
FIG 414

4WD CHANGE LEVER

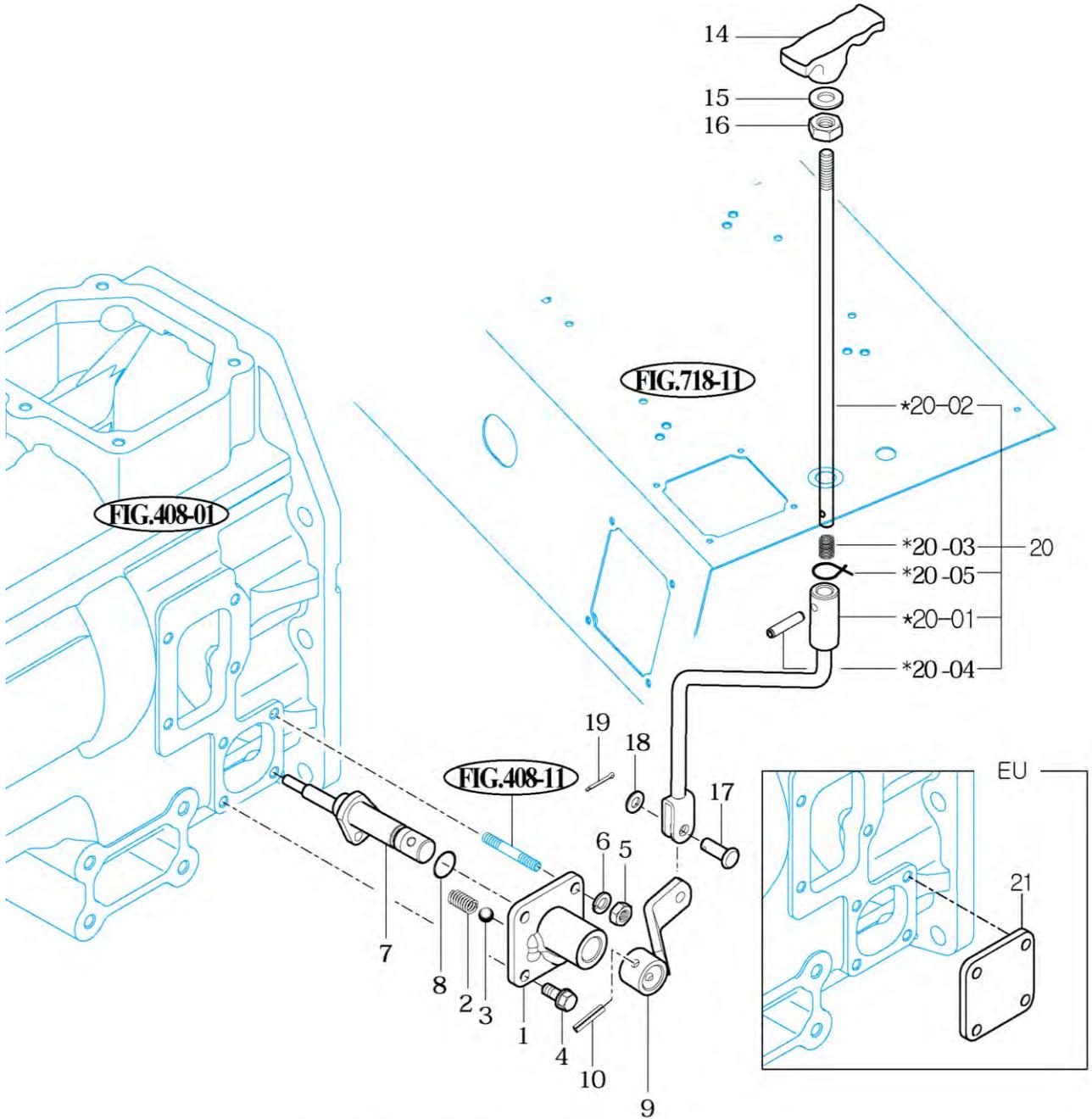
P1

Year

2015



T654



T623-K-414

*NOT SERVICED SEPARATELY

NOTE

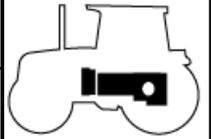
FIG 415

P.T.O CHANGE GEARS

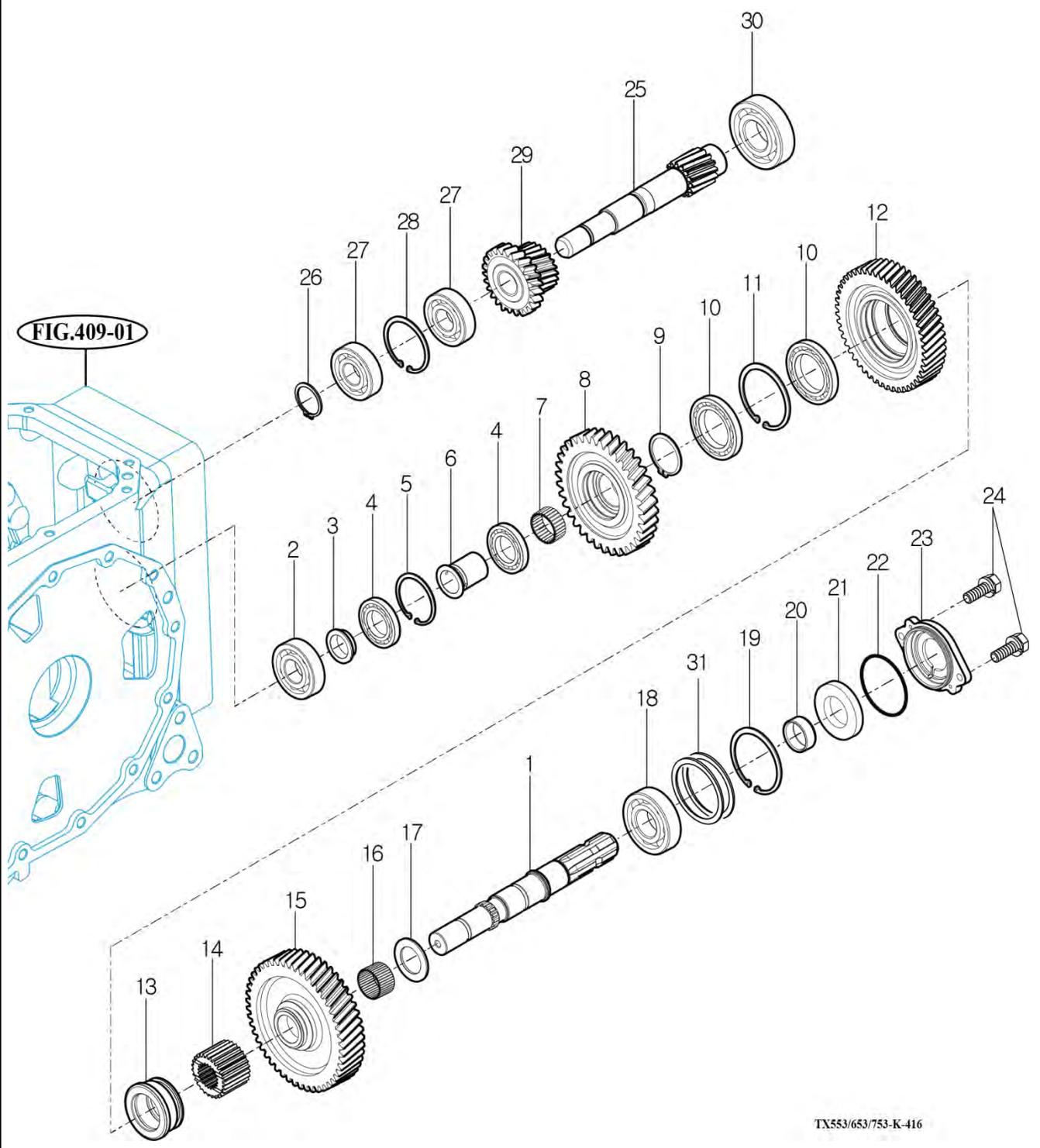
P1

Year

2015



T654



TX553/653/753-K-416

NOTE

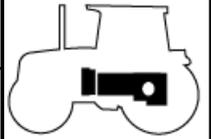
FIG 416

P.T.O CHANGE SHIFTER

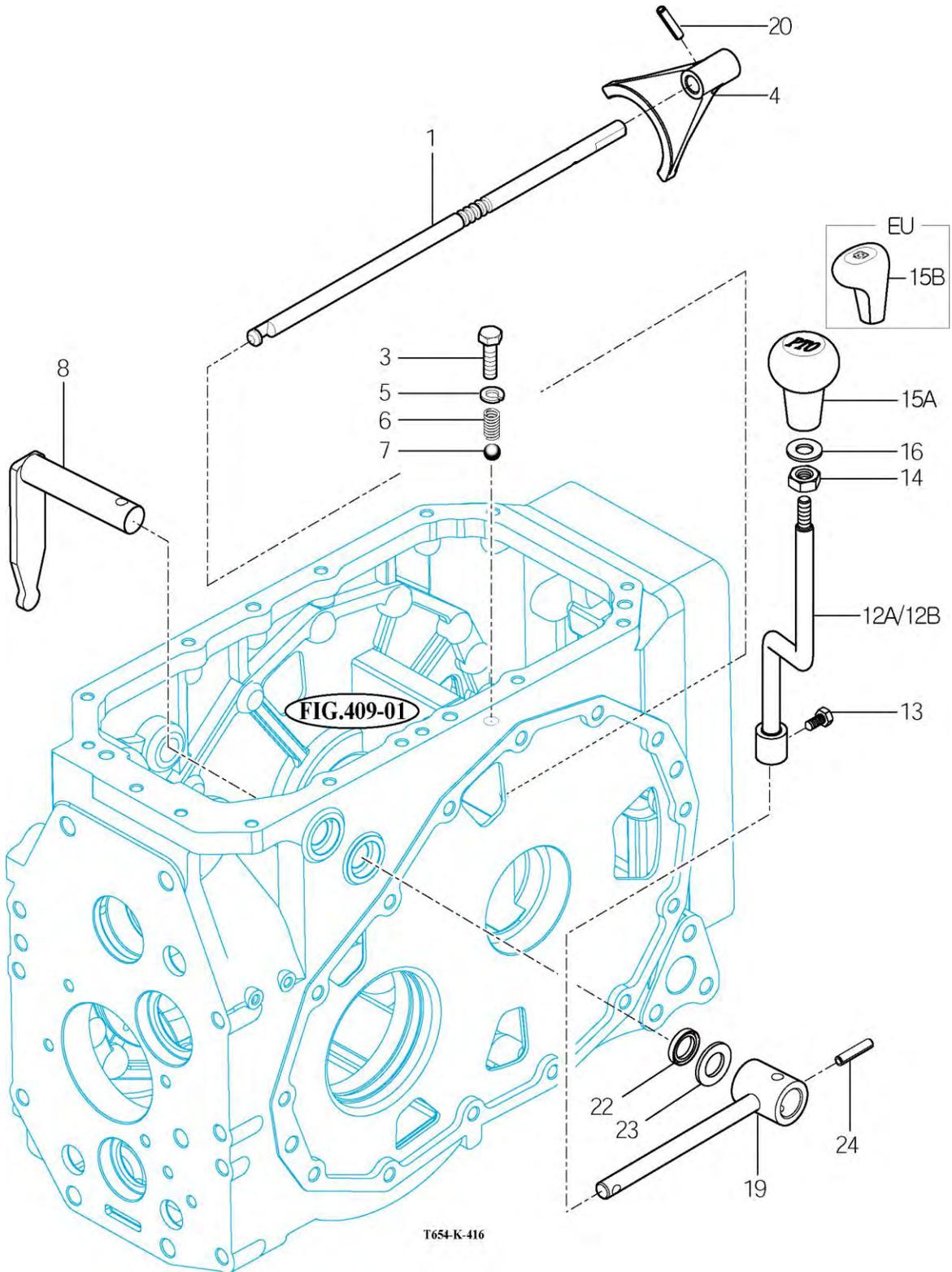
P1

Year

2015



T654



NOTE

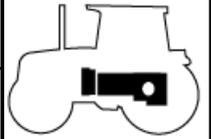
FIG 417

REAR DIFFERENTIAL GEARS

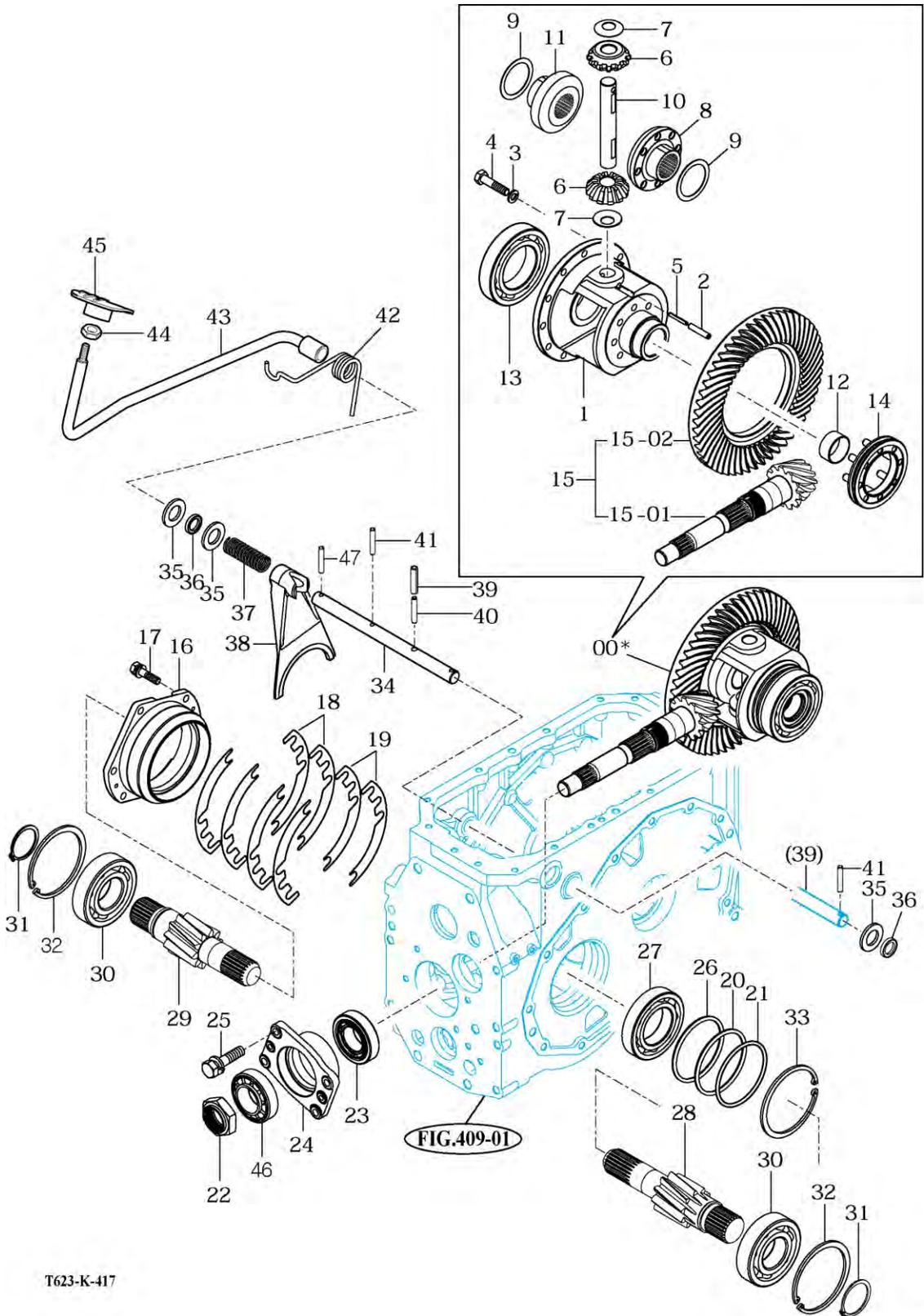
P1

Year

2015



T654



T623-K-417

NOTE

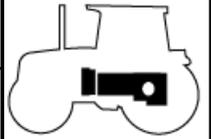
FIG 417

REAR DIFFERENTIAL GEARS

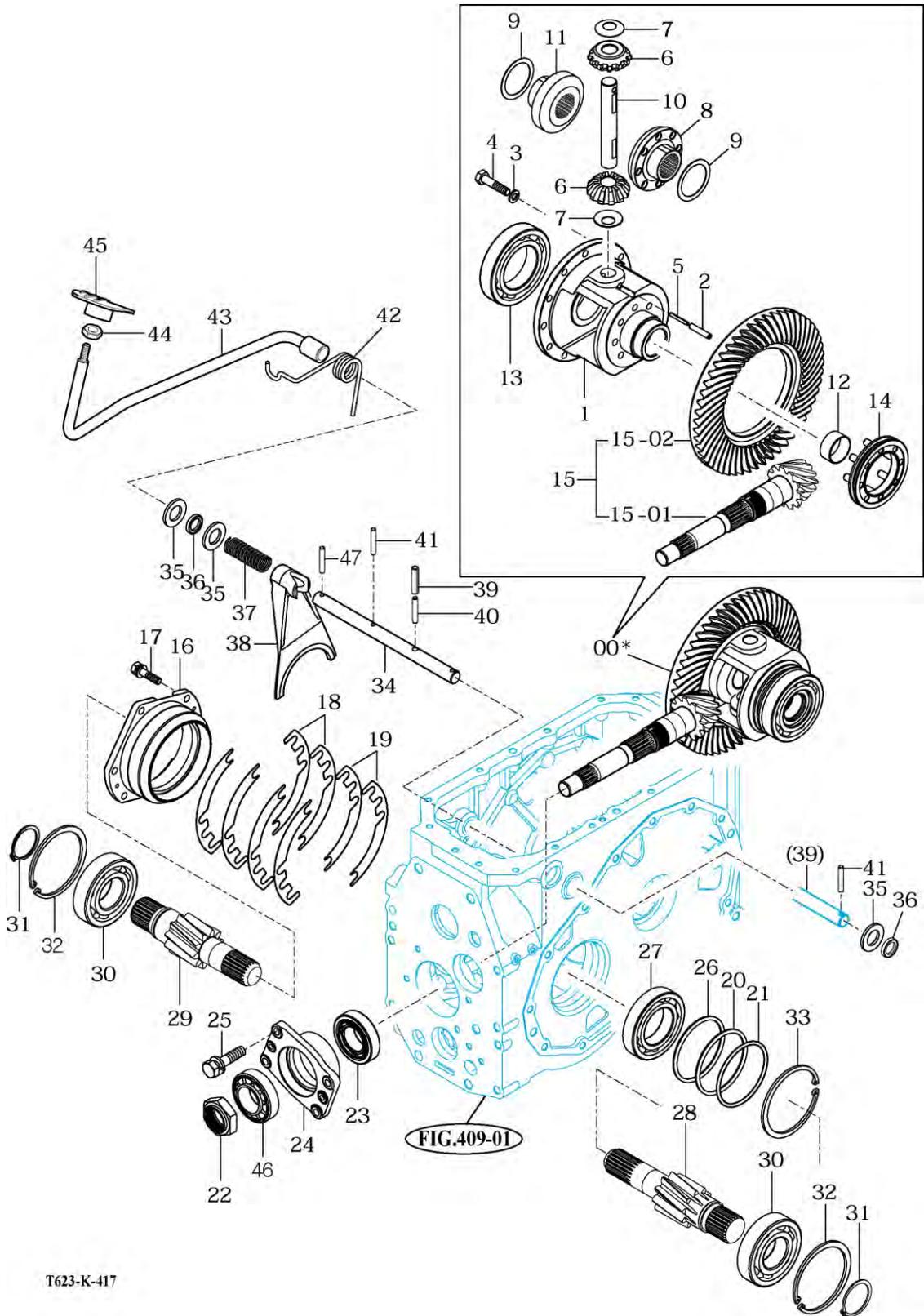
P2

Year

2015



T654



T623-K-417

NOTE

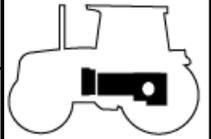
FIG 418

REAR AXLE HOUSING

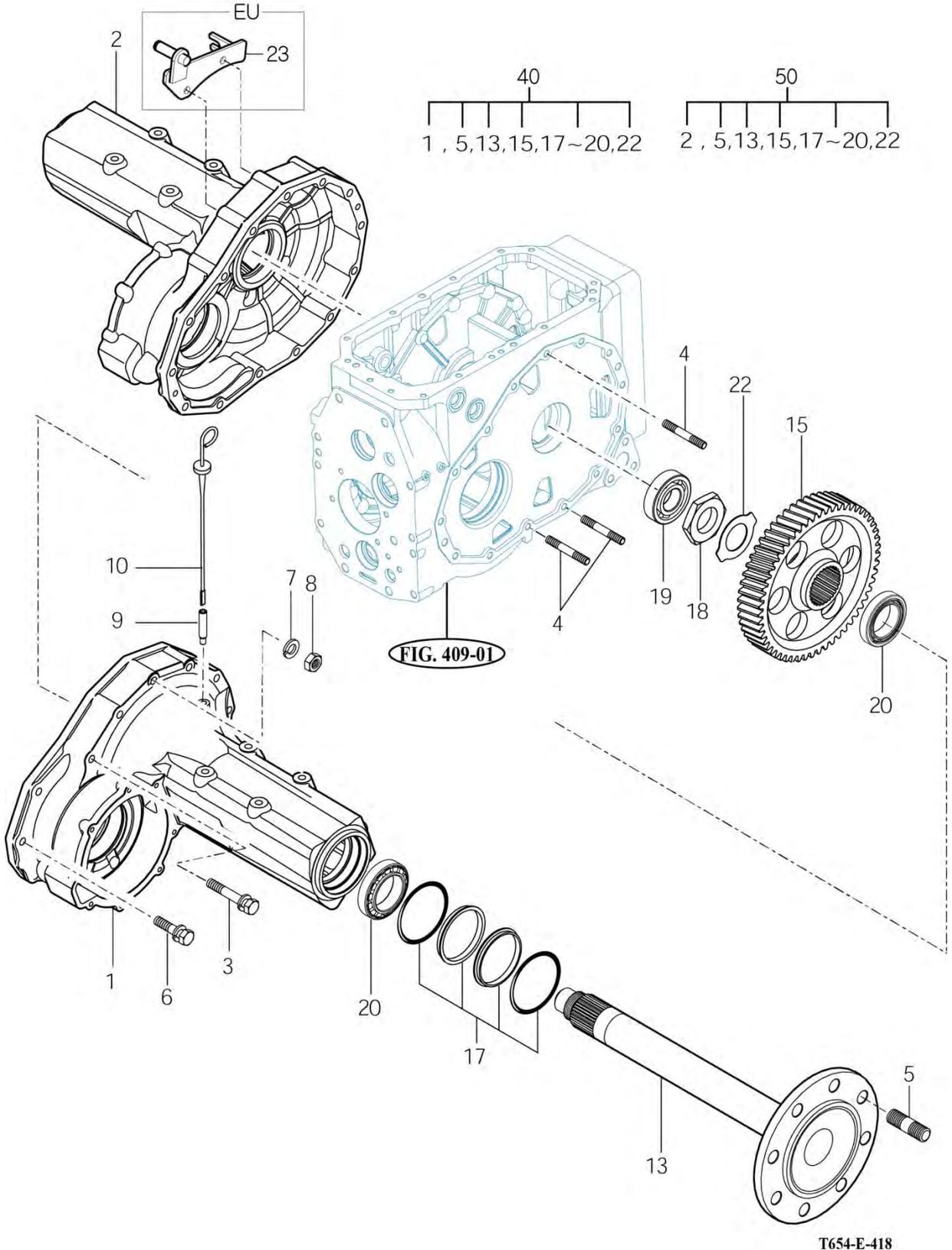
P1

Year

2015



T654



T654-E-418

NOTE

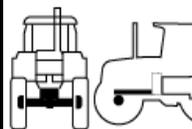
FIG 501

FRONT AXLE SUPPORT

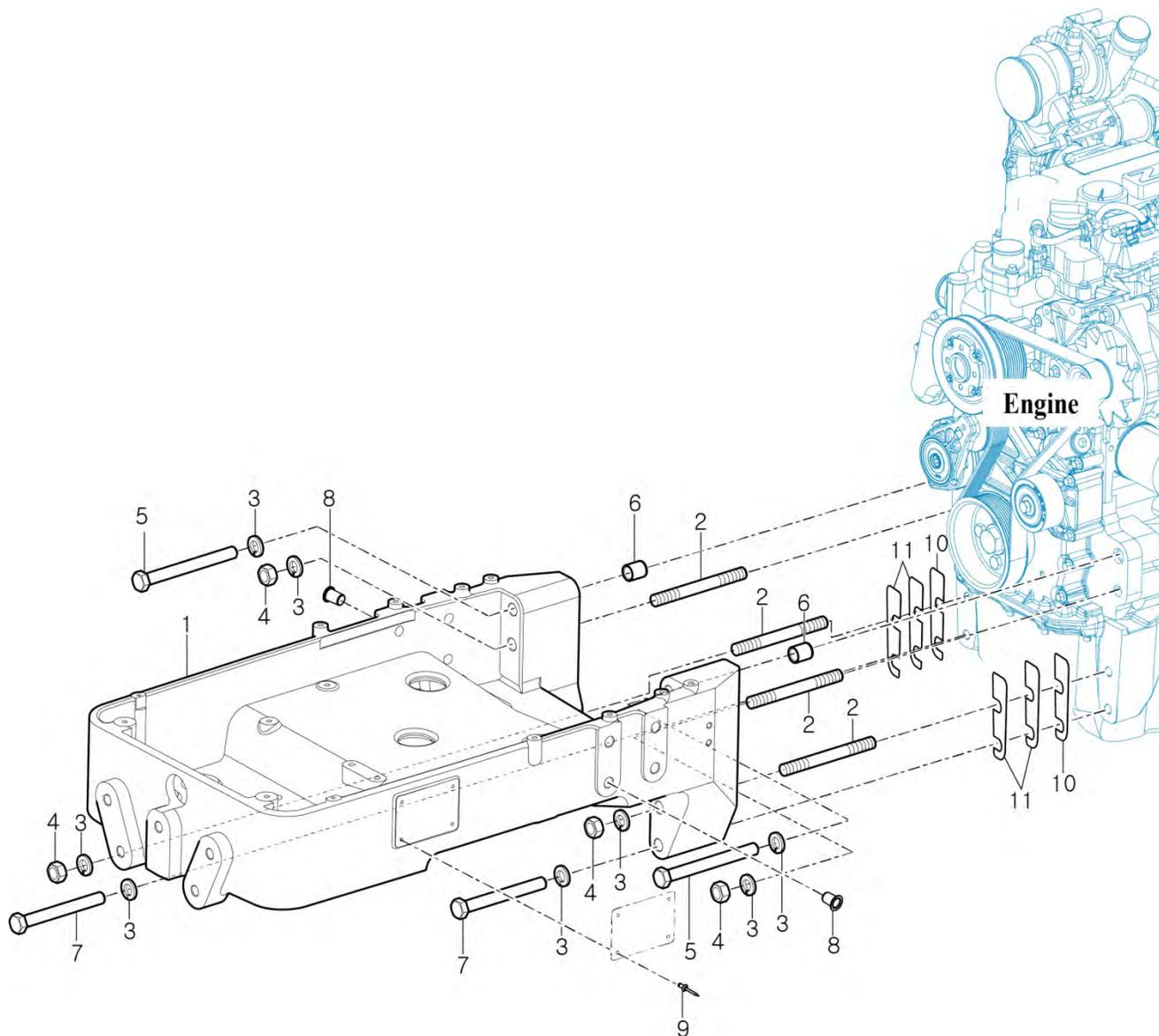
P1

Year

2015



T654



T754-K-501

NOTE

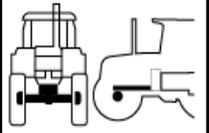
FIG 502

FRONT DRIVE SHAFT

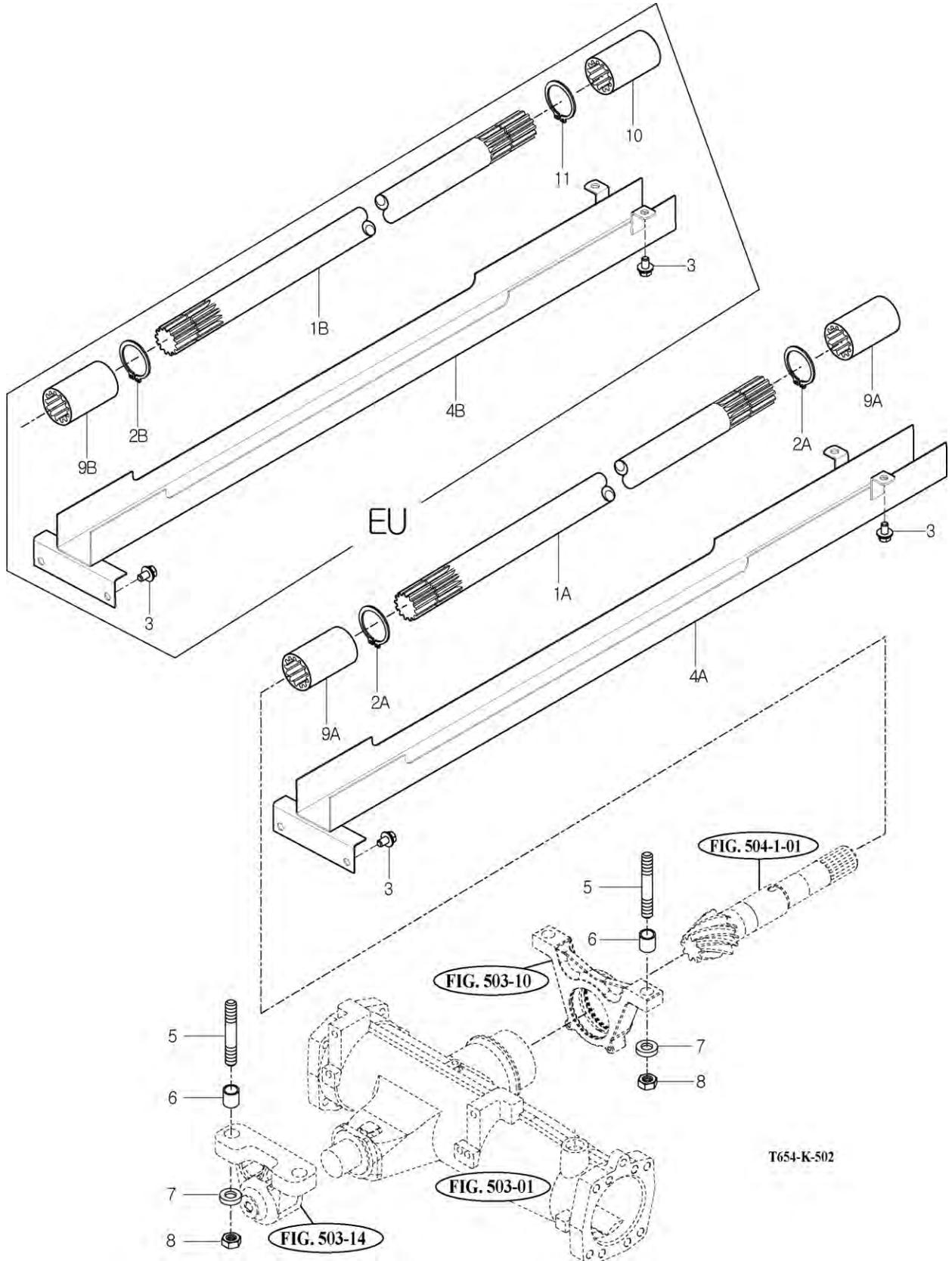
P1

Year

2015



T654



T654-K-502

NOTE

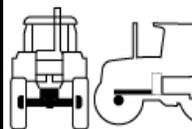
FIG 503

FRONT AXLE HOUSING

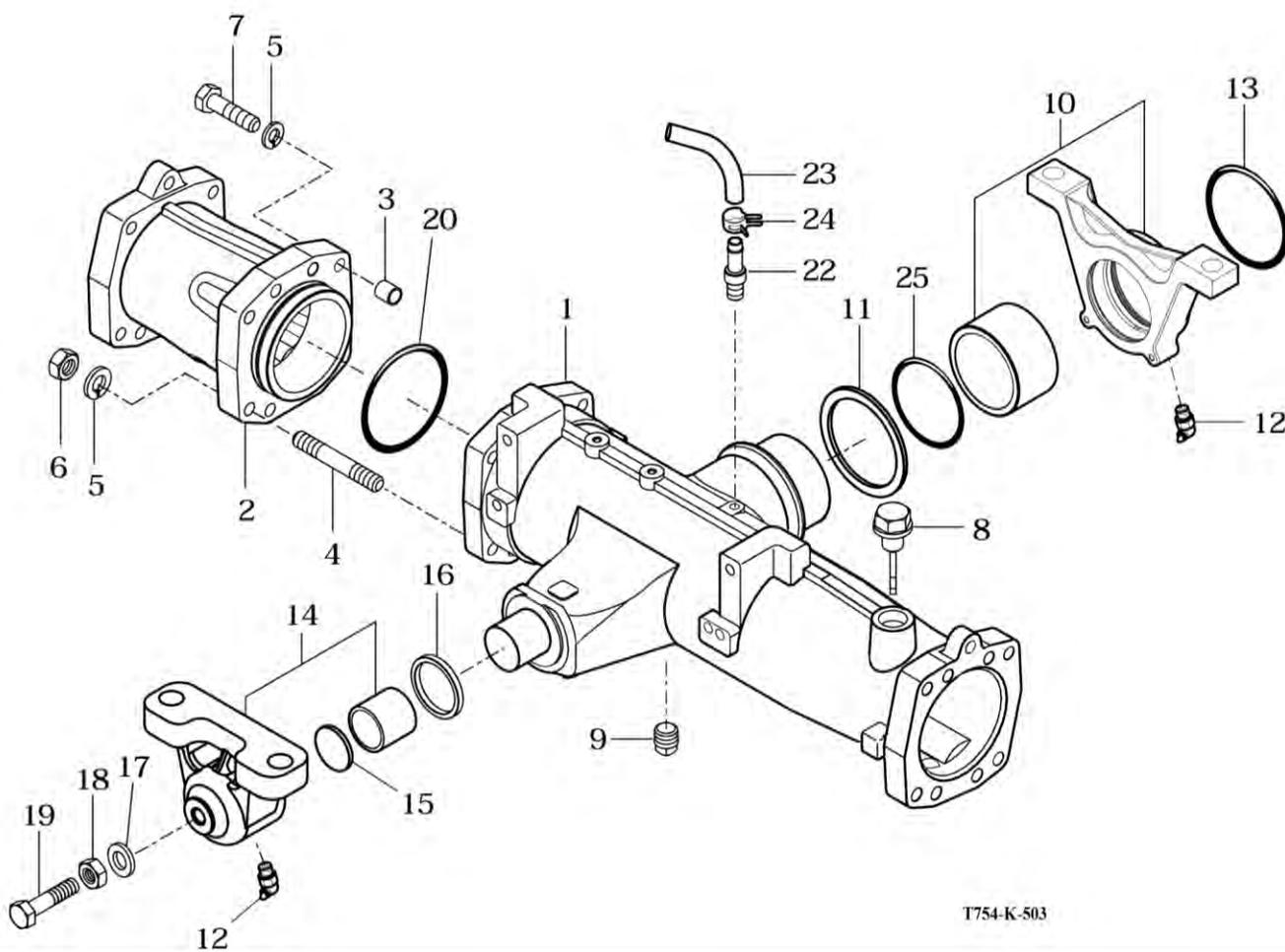
P1

Year

2015



T654



T754-K-503

NOTE

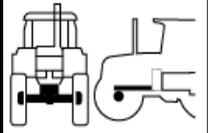
FIG 504

FRONT DIFFERENTIAL GEARS

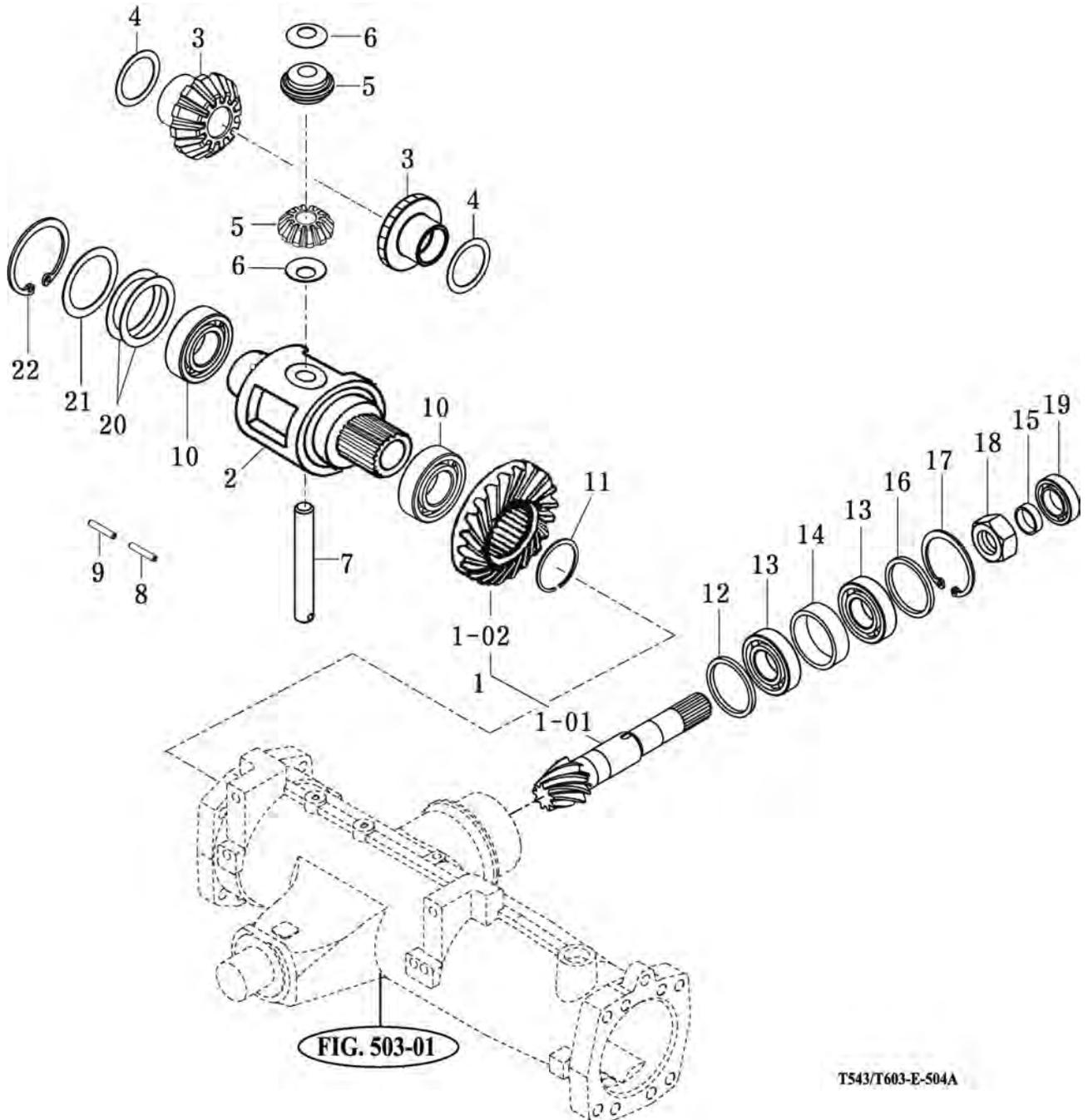
P1

Year

2015



T654



T543/T603-E-504A

NOTE

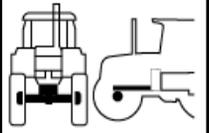
FIG 505

FRONT GEAR CASE (1)

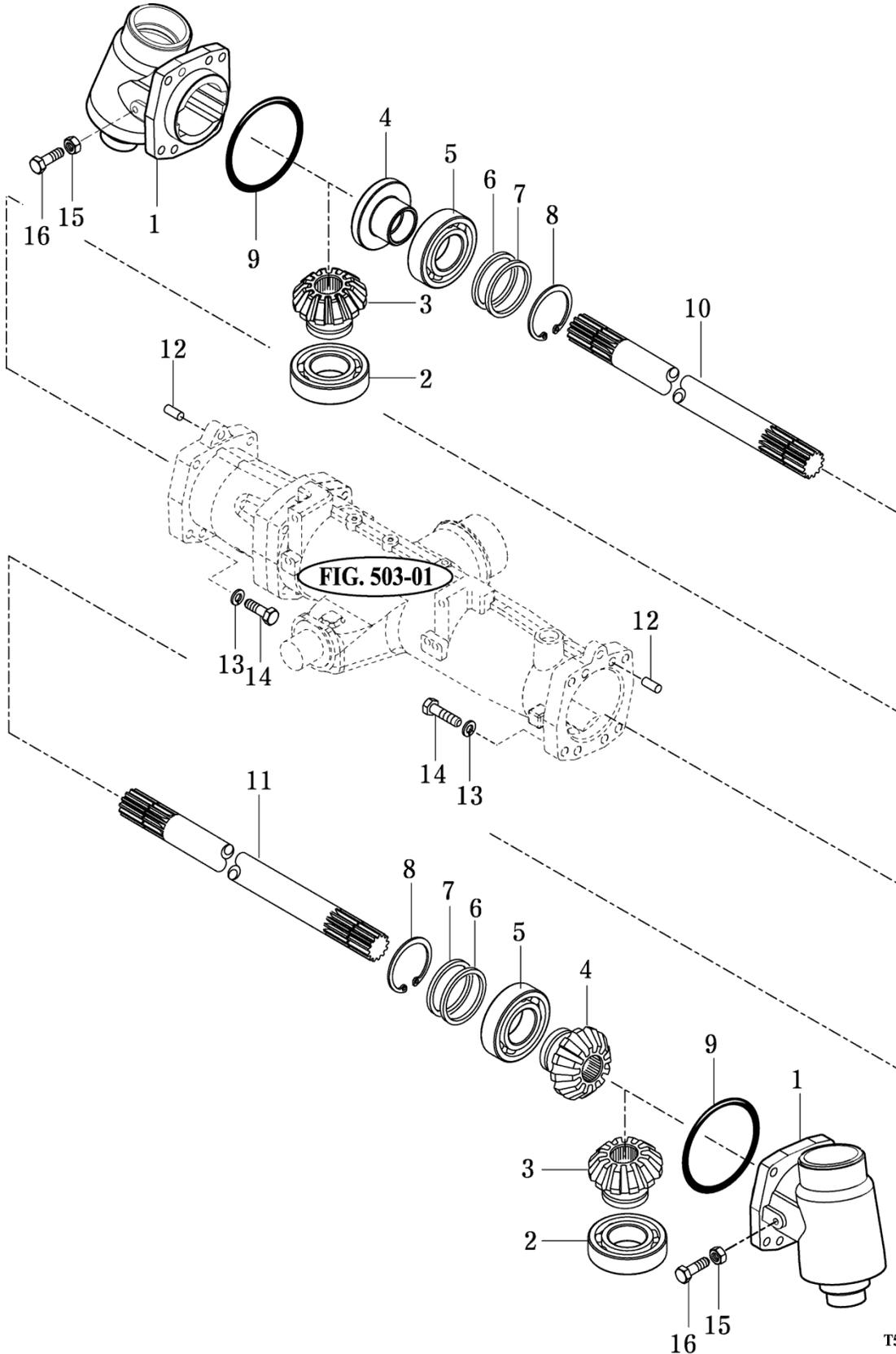
P1

Year

2015



T654



T543/T603-E-505A

NOTE

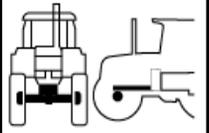
FIG 506

FRONT GEAR CASE (2)

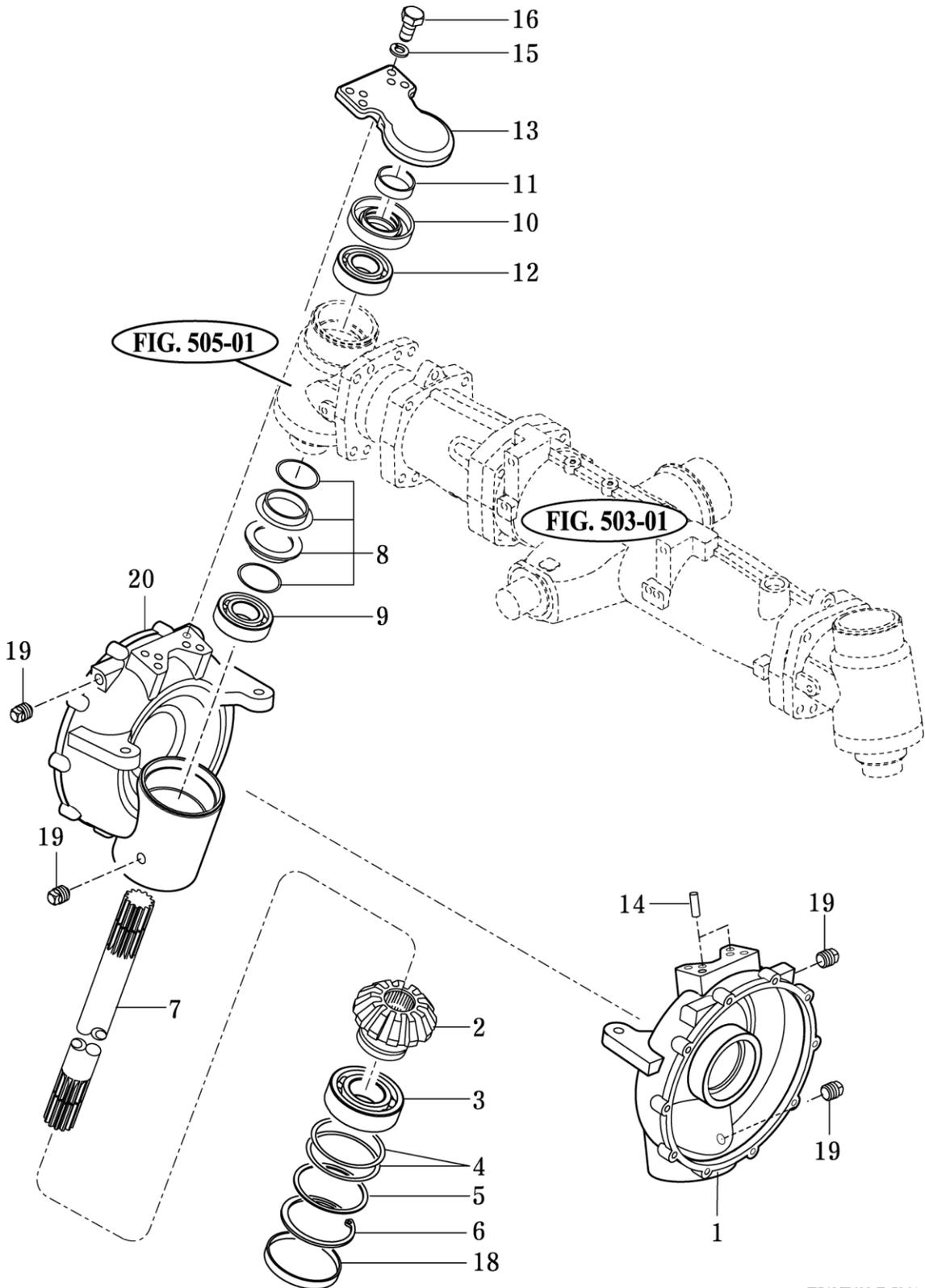
P1

Year

2015



T654



T543/T603-E-506A

NOTE

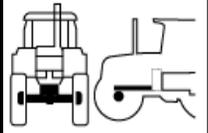
FIG 507

FRONT GEAR CASE (3)

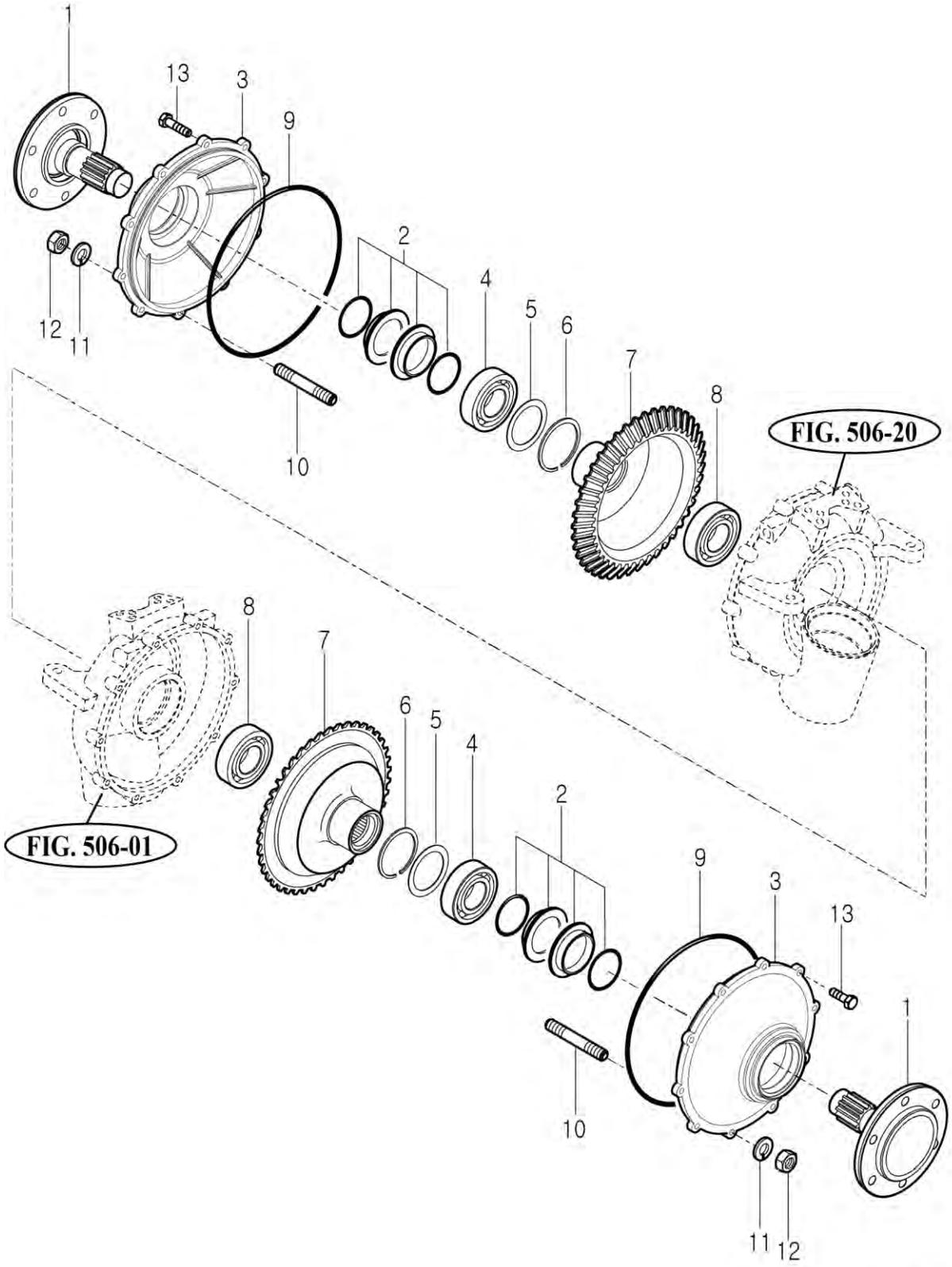
P1

Year

2015



T654



T754-E-507

NOTE

FIG 601

T654

CYLINDER CASE

P1

Year

2015

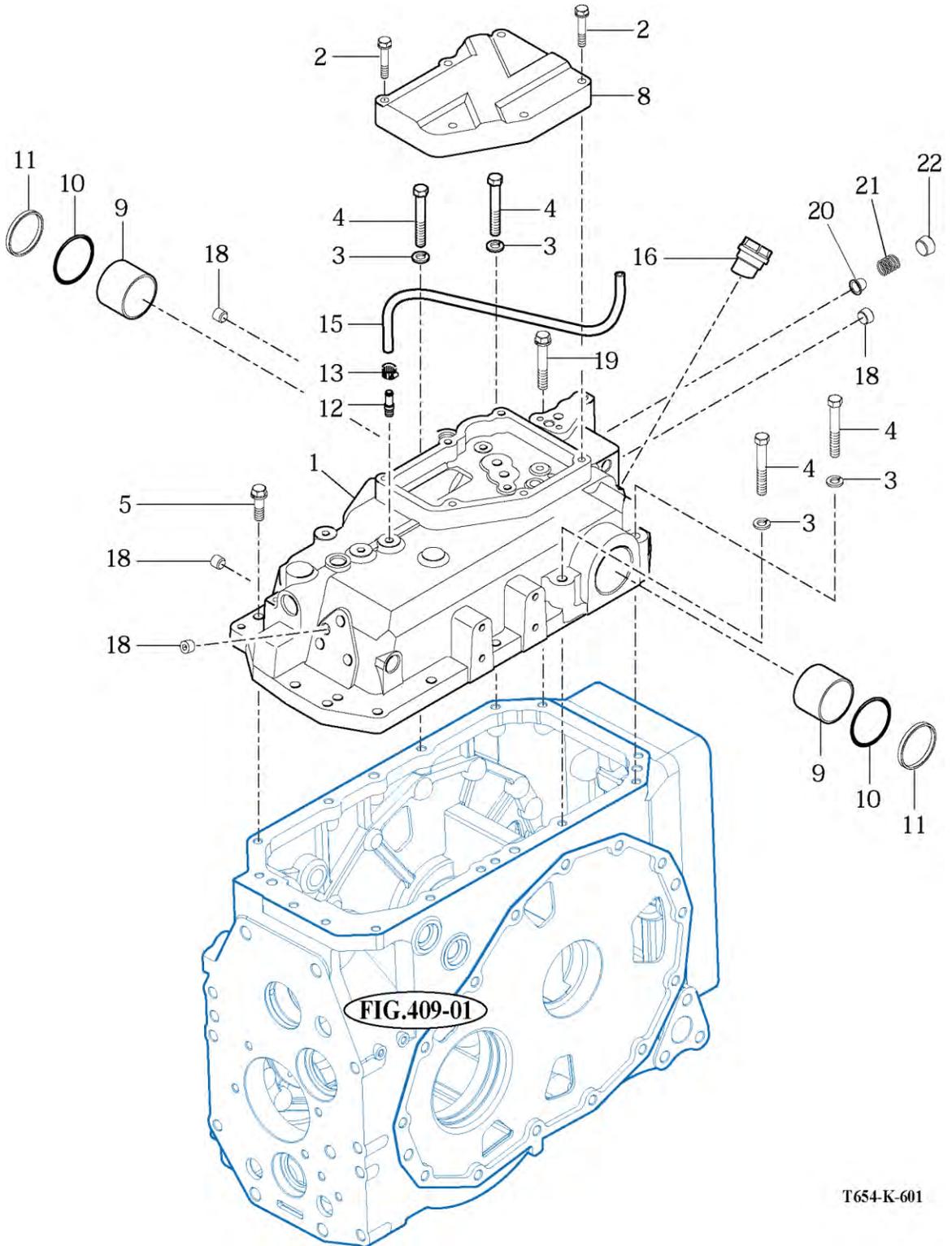
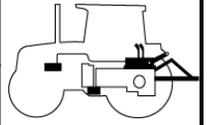


FIG.409-01

T654-K-601

NOTE

FIG 602

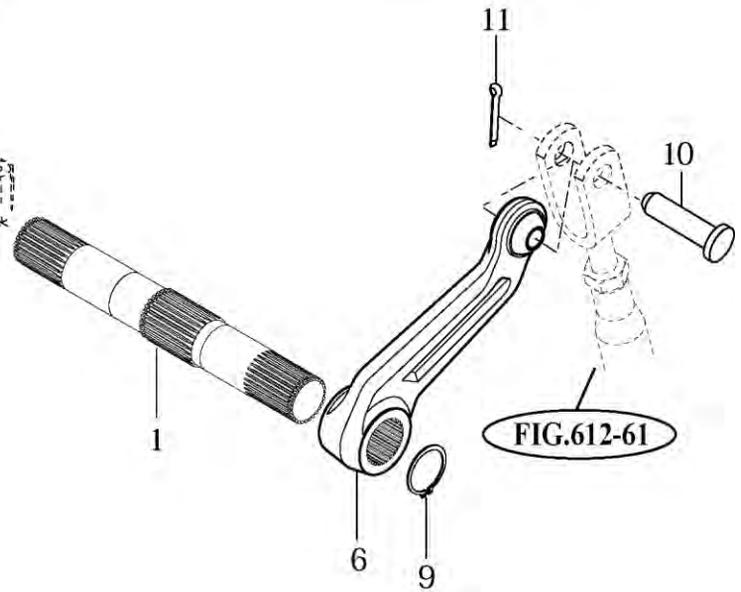
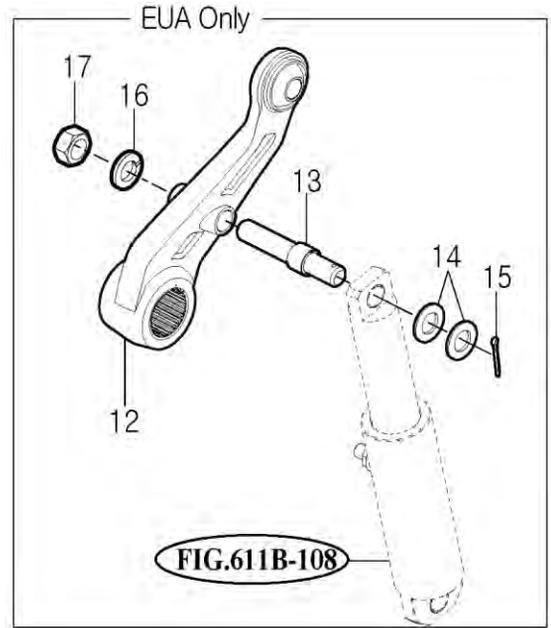
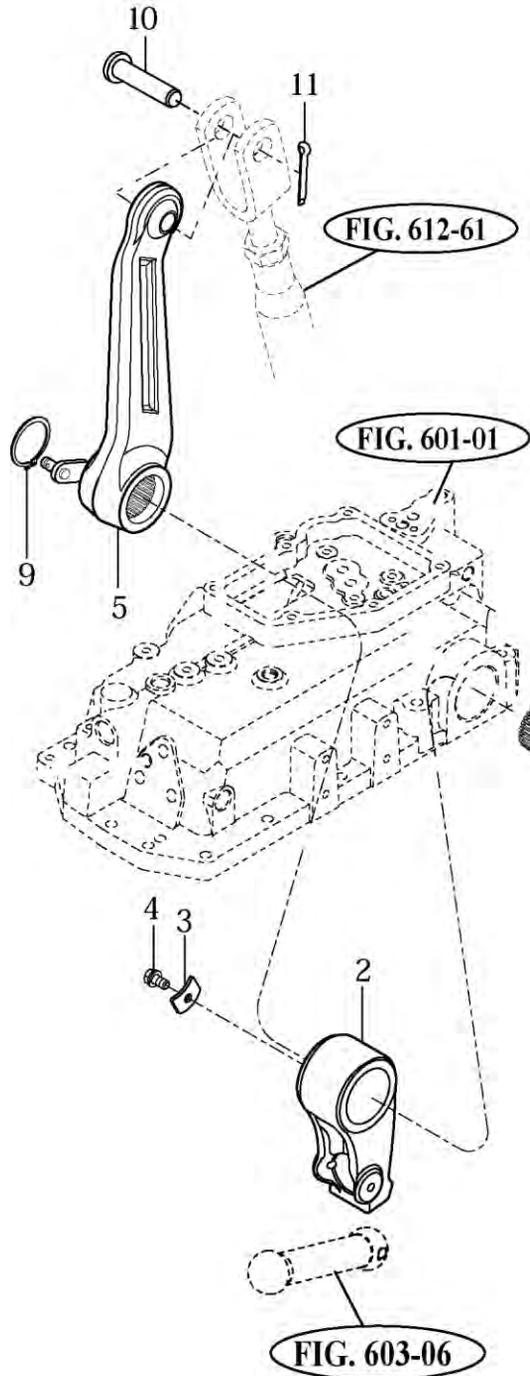
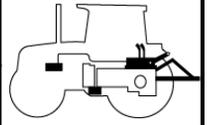
LIFT ARM

T654

P1

Year

2015



T724-K-602

NOTE

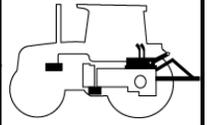
FIG 603

CYLINDER

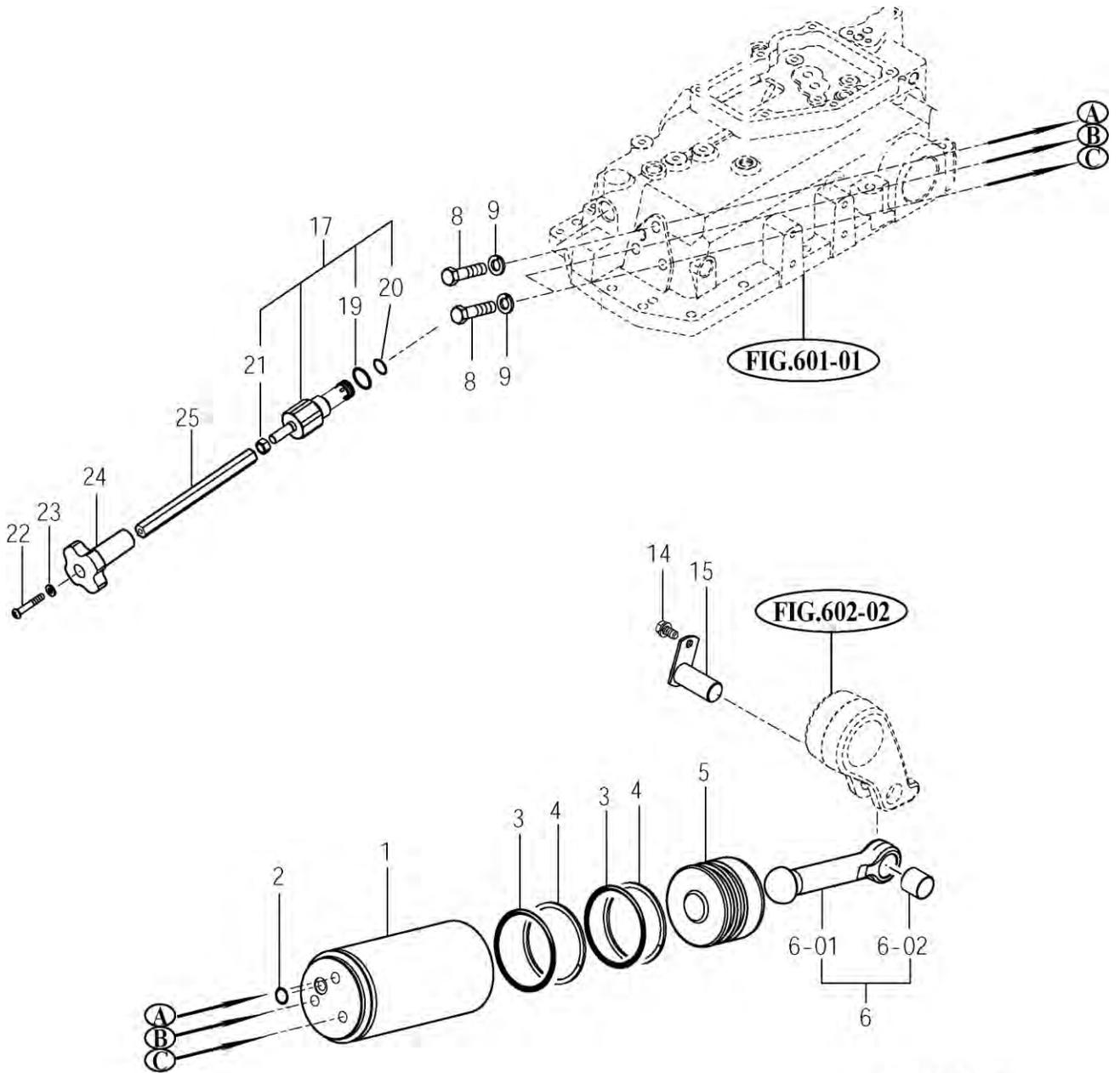
P1

Year

2015



T654



T543/T603-E-603A

NOTE

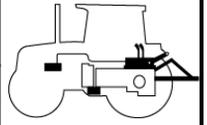
FIG 604

POSITION LINK

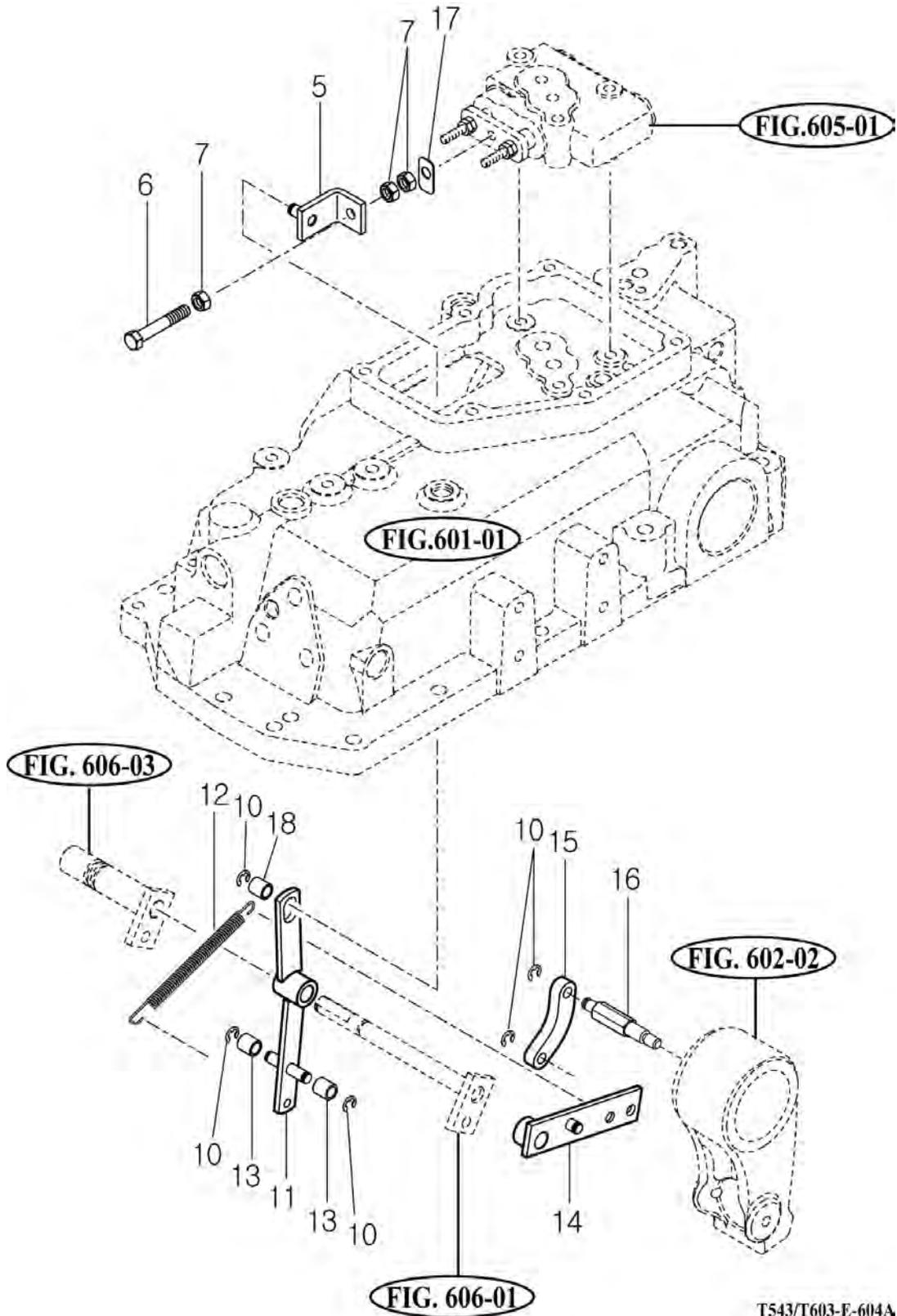
P1

Year

2015



T654



T543/T603-E-604A

NOTE

FIG 605

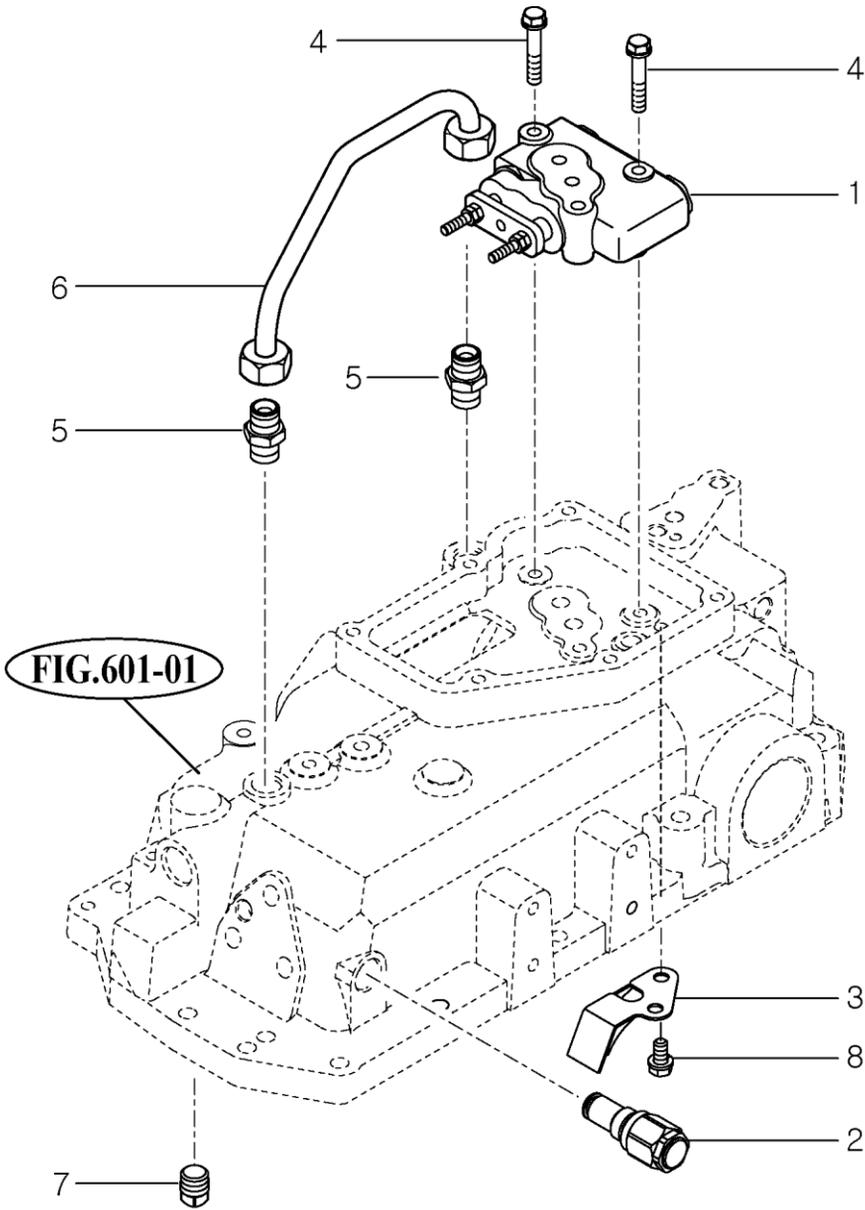
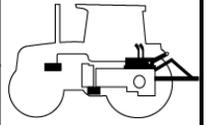
CONTROL VALVE

T654

P1

Year

2015



T543/T603-E-605A

NOTE

FIG 606

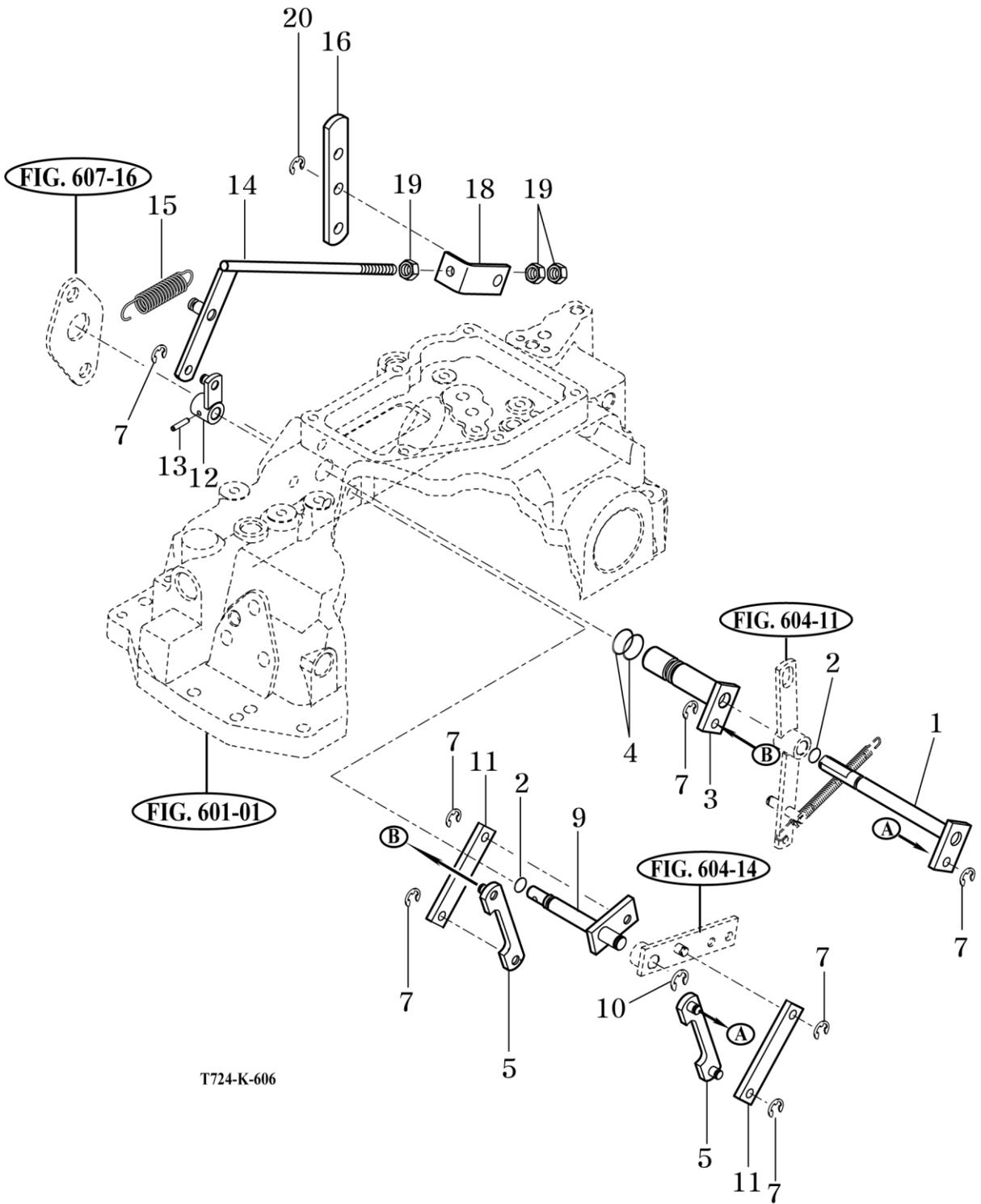
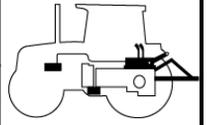
DRAFT LINK

T654

P1

Year

2015



T724-K-606

NOTE

FIG 607

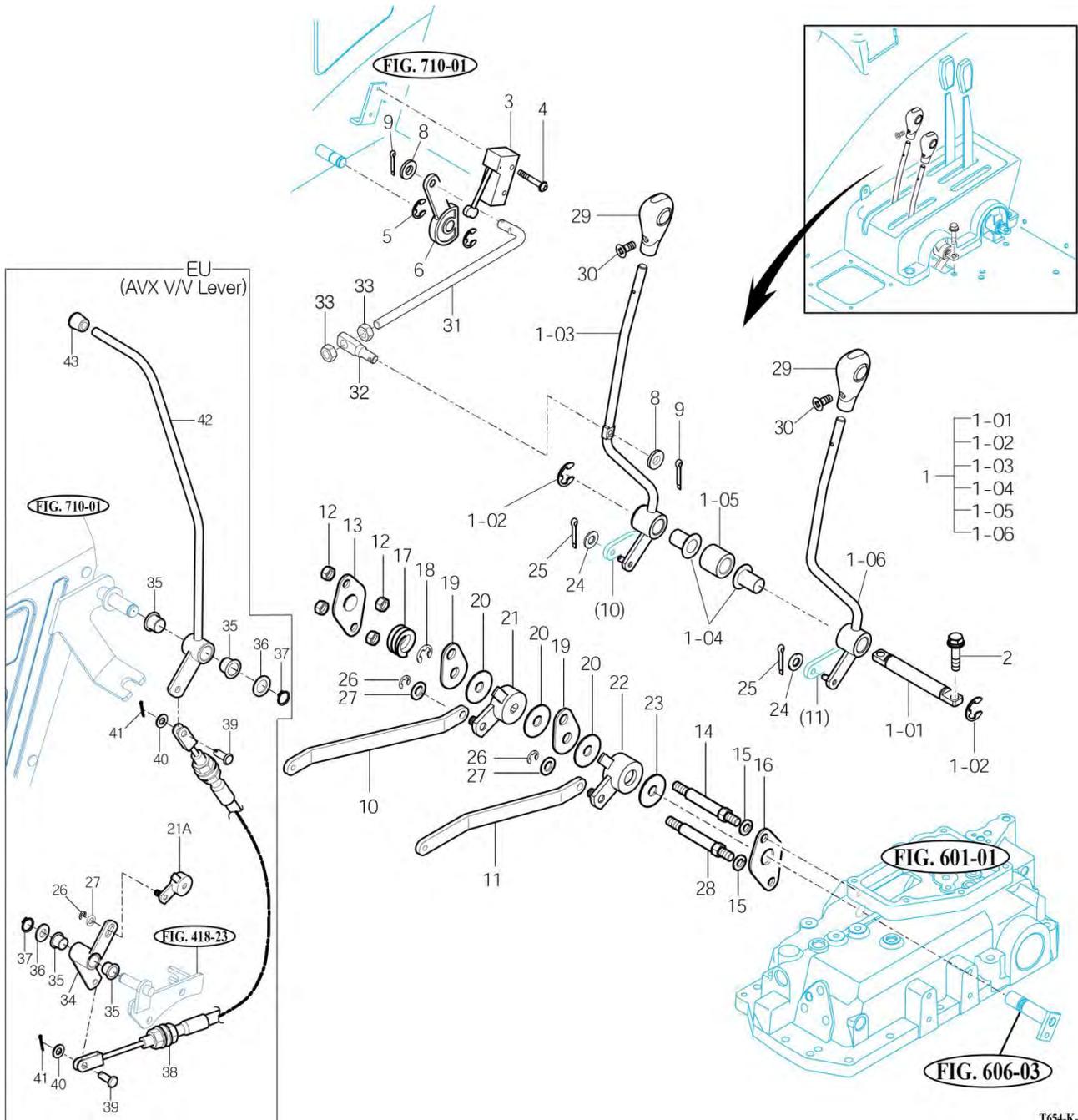
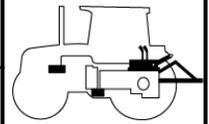
POSITION & DRAFT LEVER

T654

P1

Year

2015



T654-K-607

NOTE

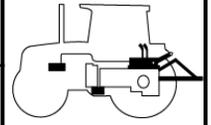
FIG 608A

EXTERIOR HYD.VALVE

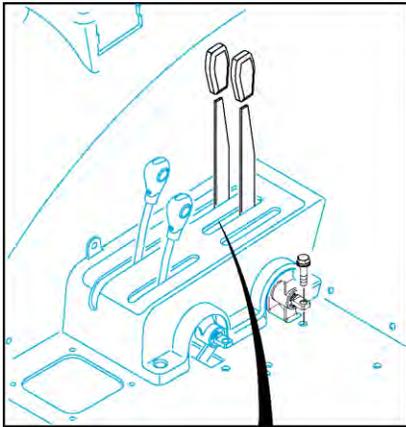
P1

Year

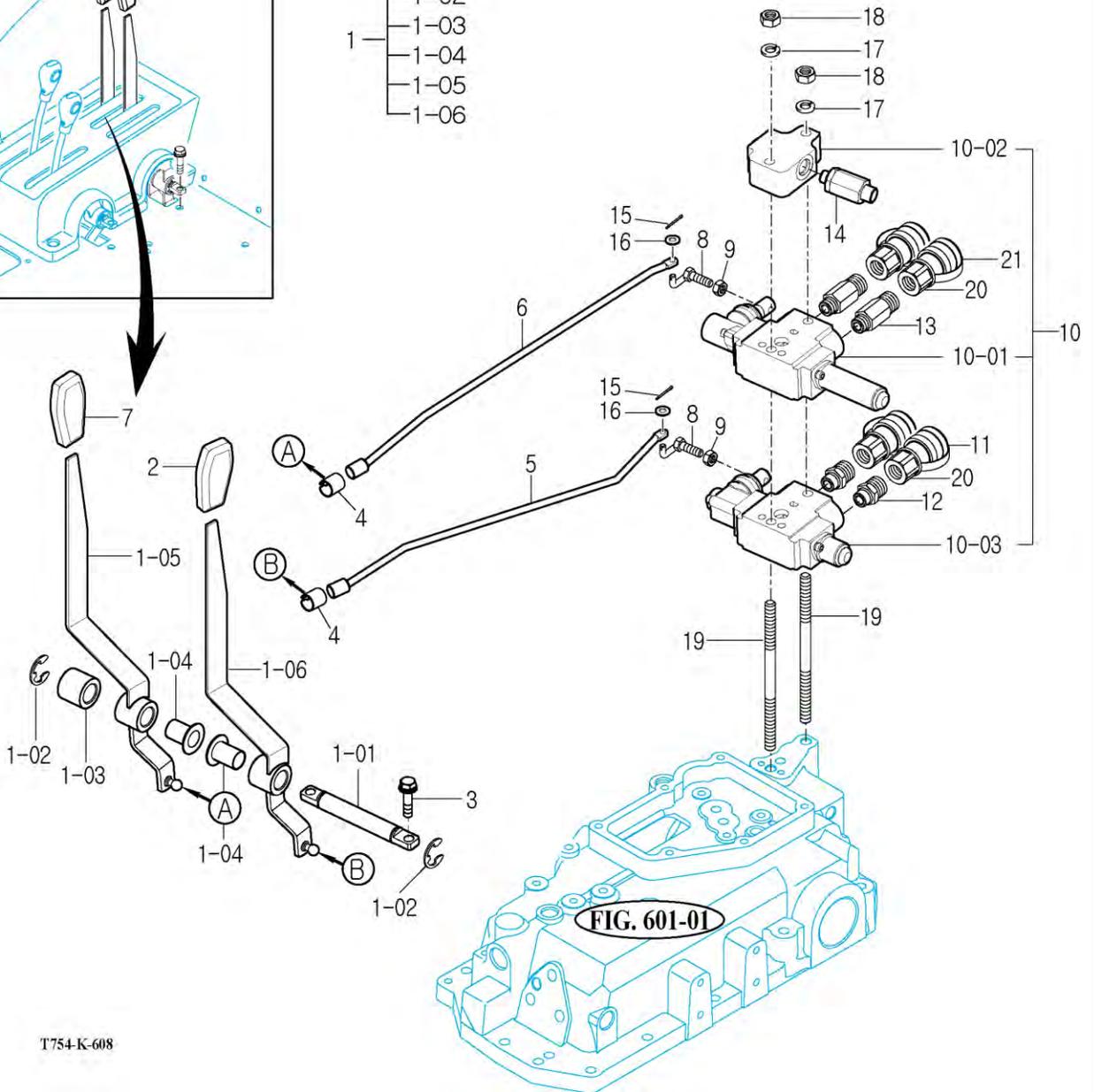
2015



T654



- 1-01
- 1-02
- 1-03
- 1-04
- 1-05
- 1-06



T754-K-608

NOTE

FIG 608B

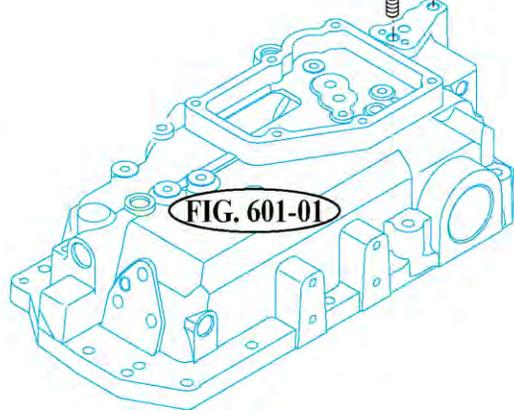
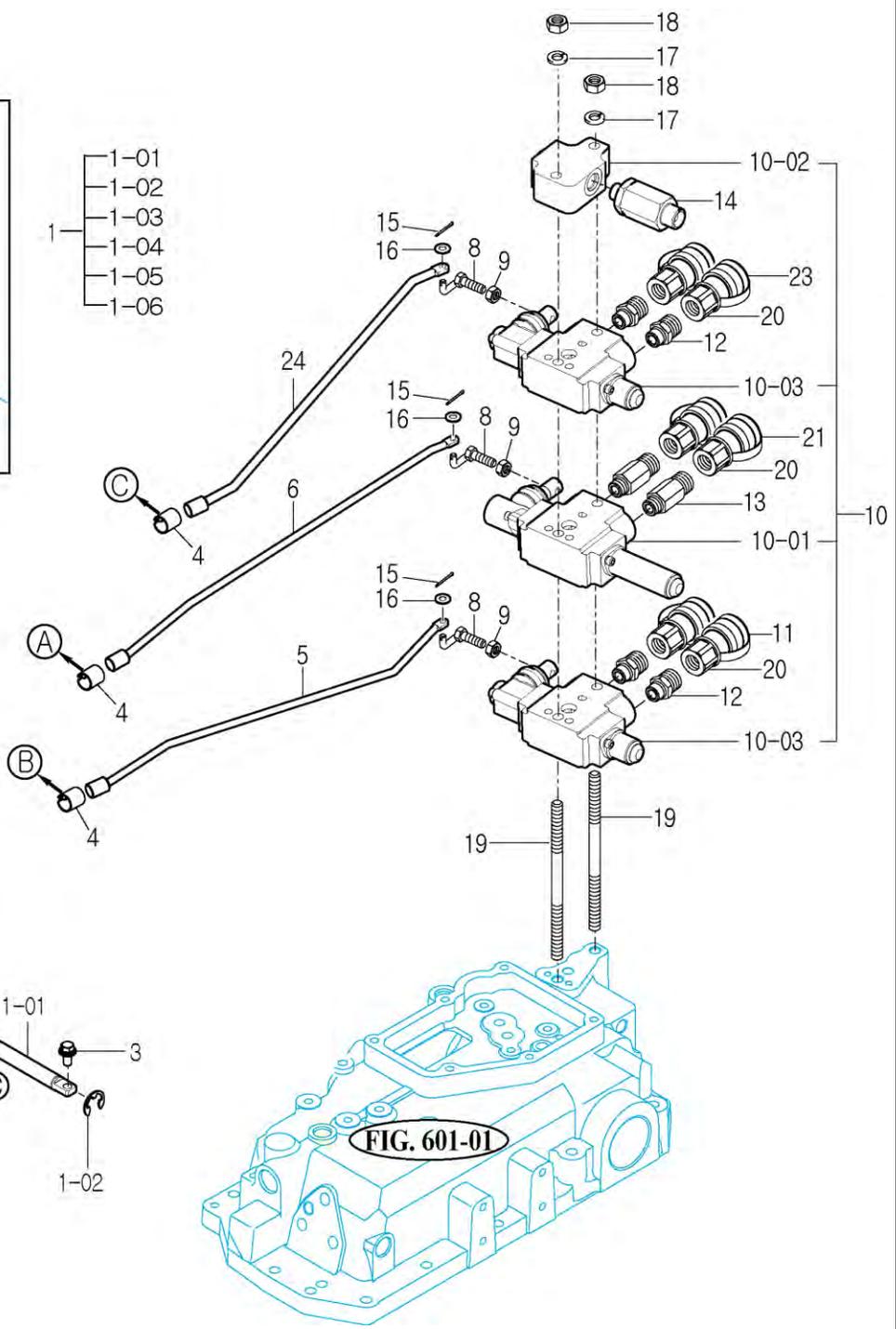
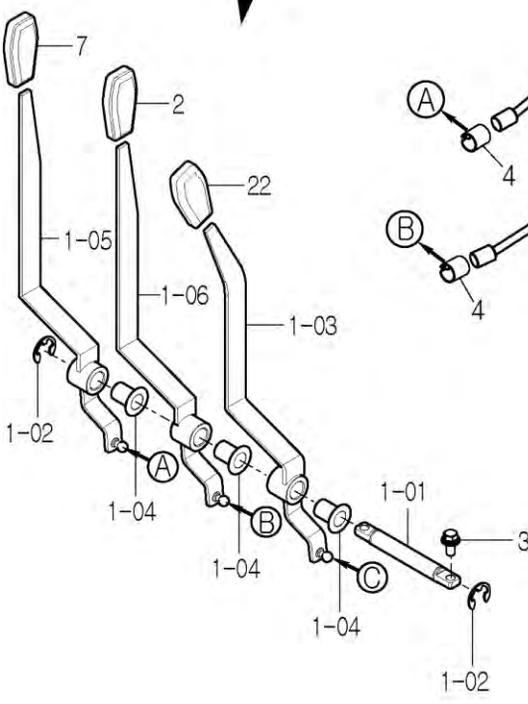
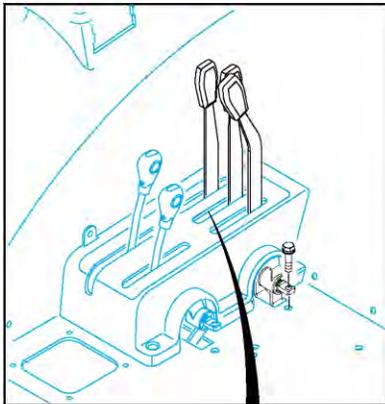
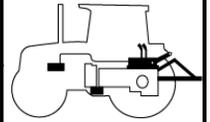
T654

EXTERIOR
HYD.VALVE(OPTION_6P)

P1

Year

2015



T754-K-608

NOTE

FIG 609

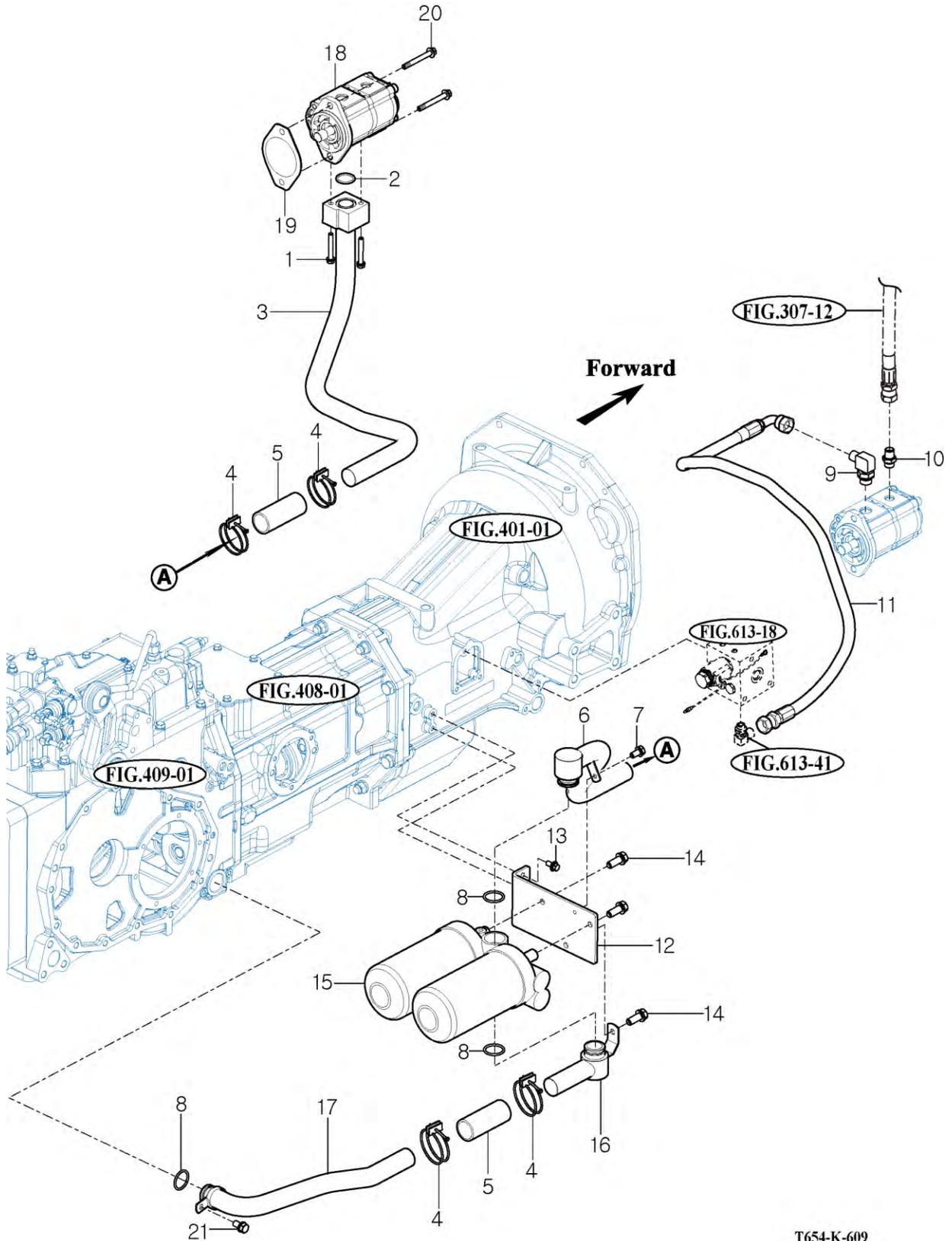
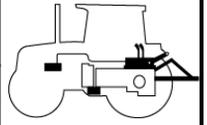
HYDRAULIC PIPE

T654

P1

Year

2015



T654-K-609

NOTE

FIG 610

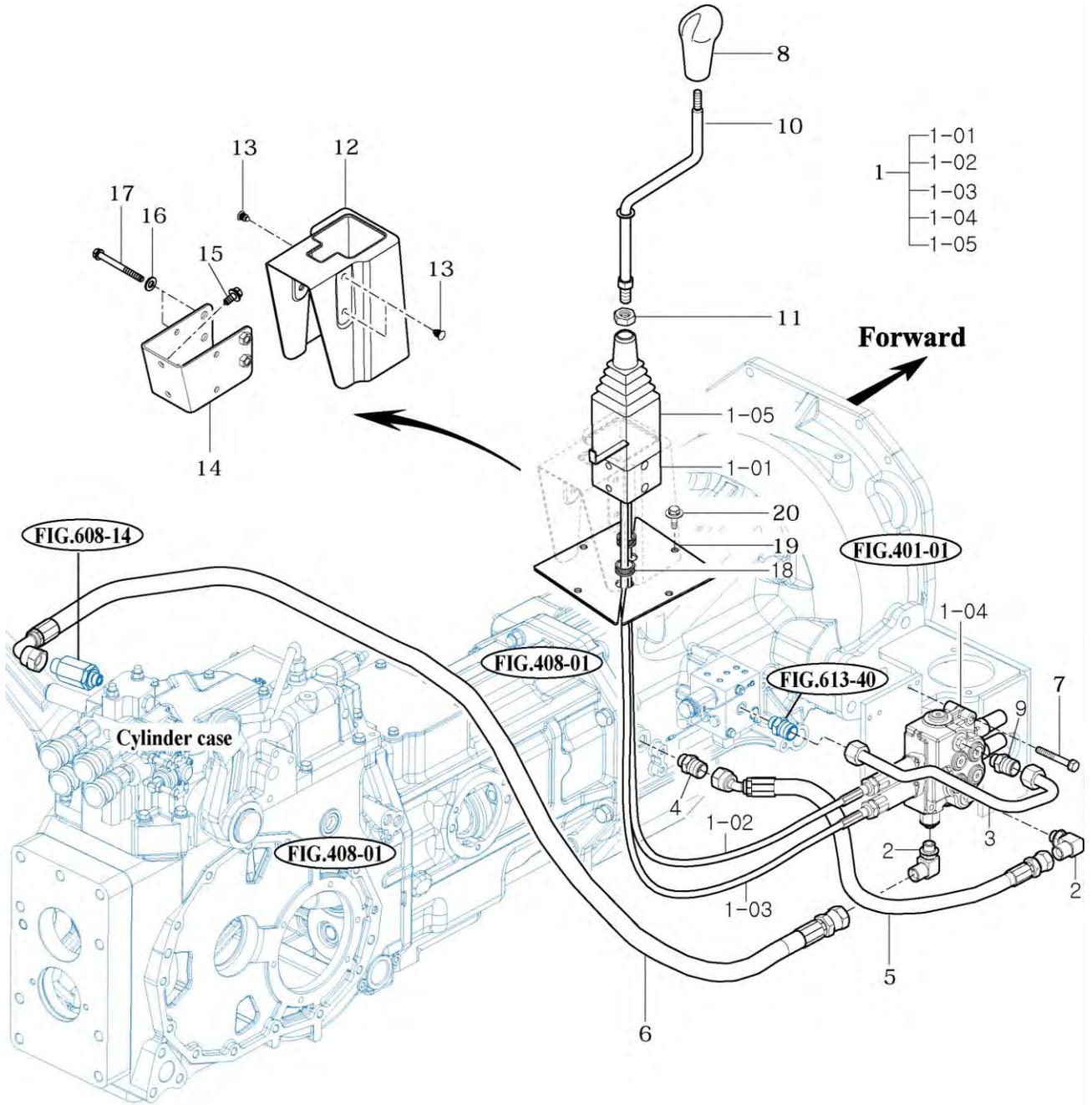
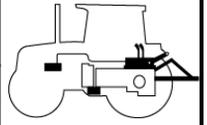
JOYSTICK

T654

P1

Year

2015



T654-K-610

NOTE

FIG 611A

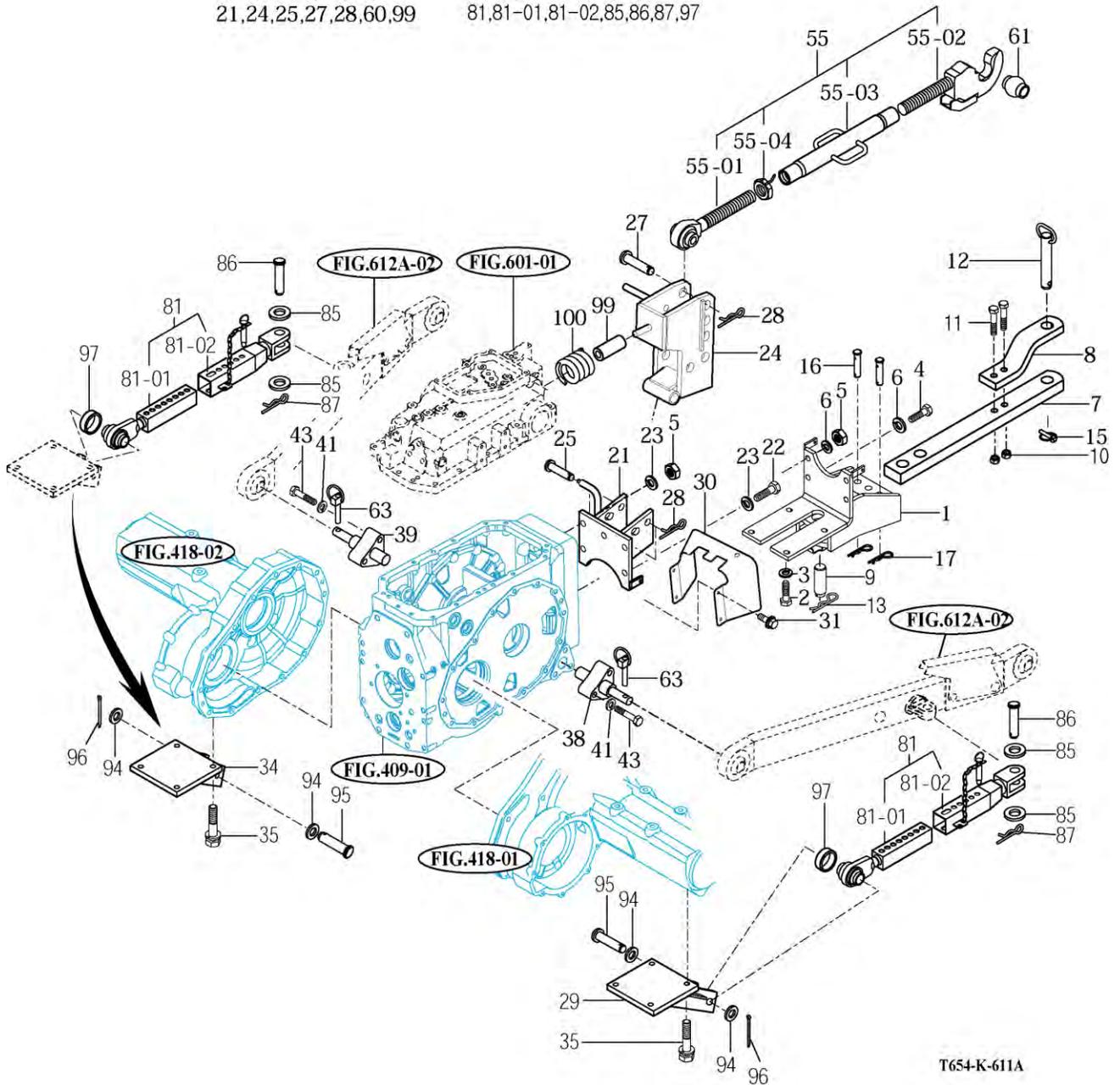
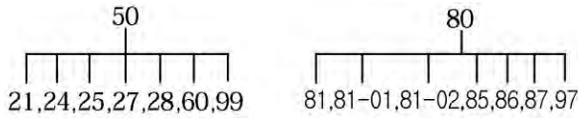
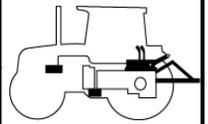
HITCH & 3-POINT LINK (US)

T654

P1

Year

2015



T654-K-611A

NOTE

FIG 611A

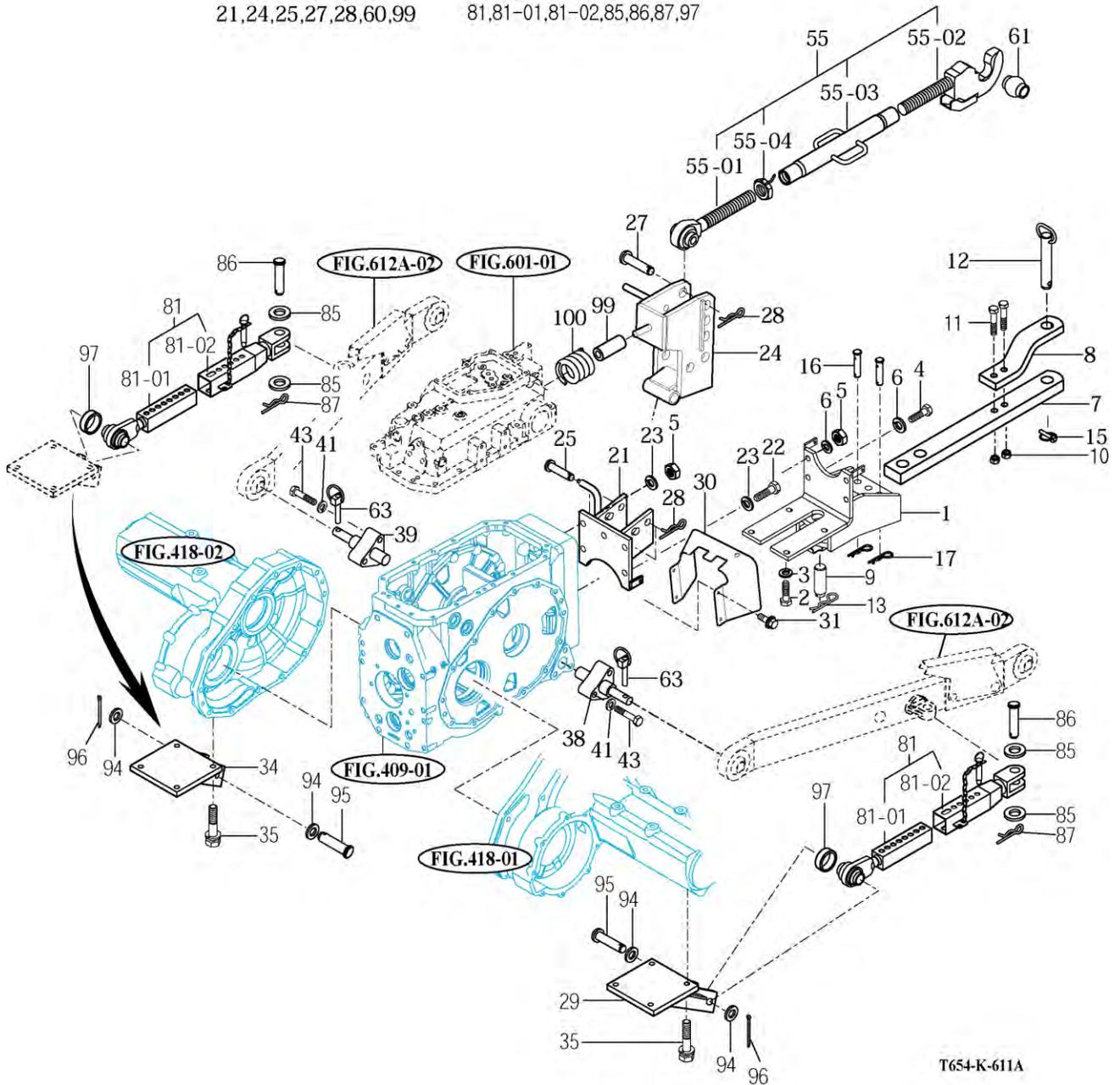
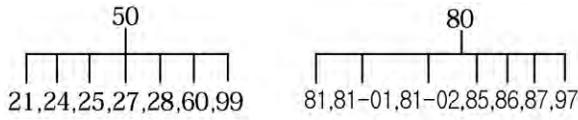
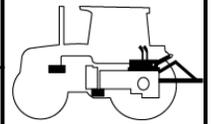
HITCH & 3-POINT LINK

T654

P2

Year

2015



T654-K-611A

NOTE

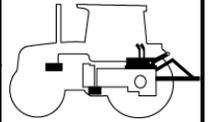
FIG 611B

HITCH & 3-POINT LINK (EU)

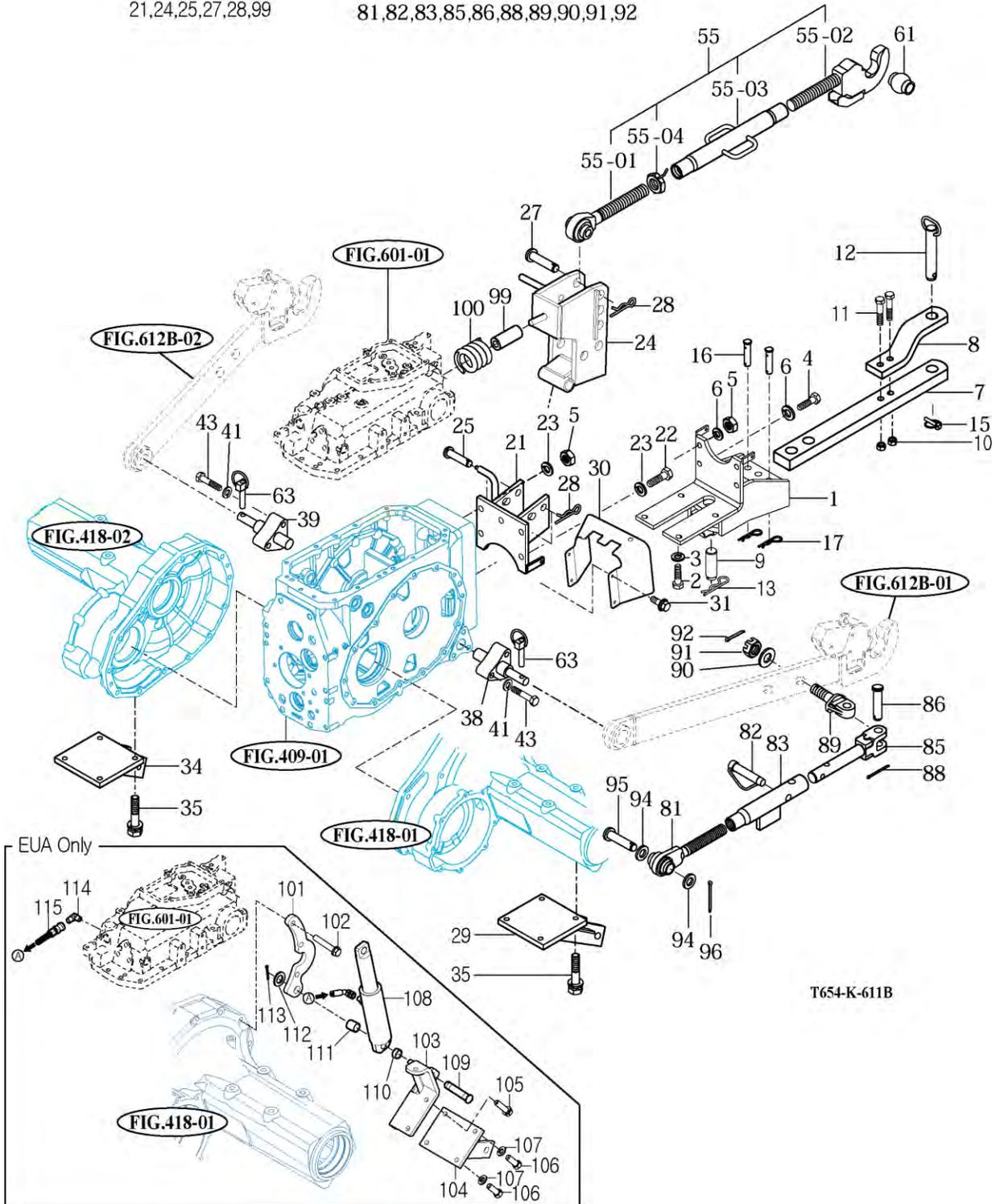
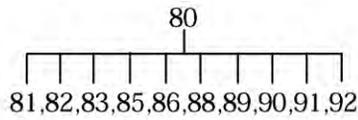
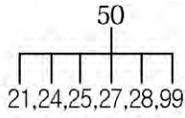
Year

P1

2015



T654



T654-K-611B

NOTE

FIG 611B

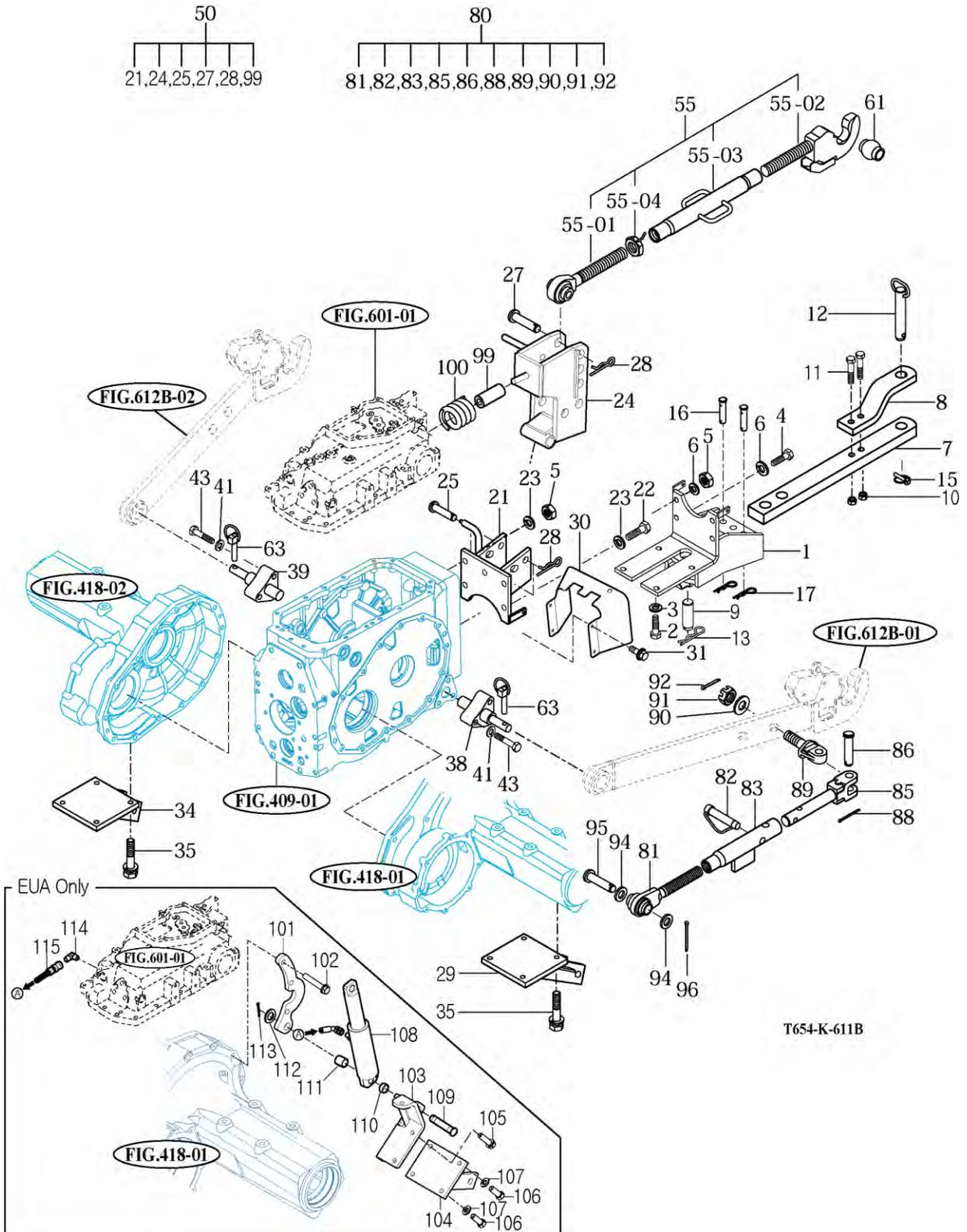
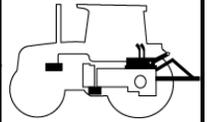
HITCH & 3-POINT LINK

T654

P2

Year

2015



T654-K-611B

NOTE

FIG 612A

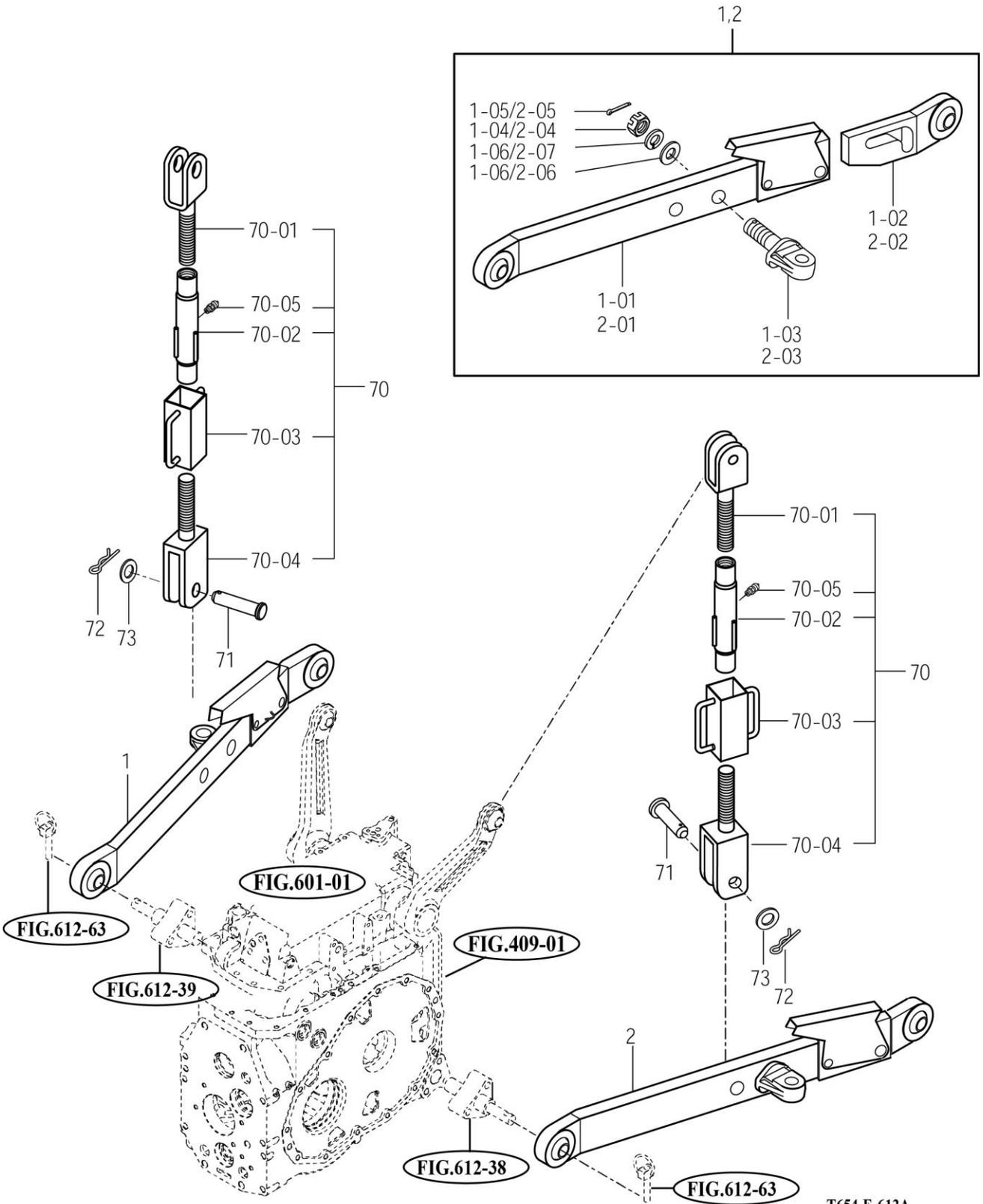
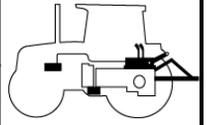
LOWER LINK & LIFT ROD (US)

T654

P1

Year

2015



T654-E-612A

NOTE

FIG 612B

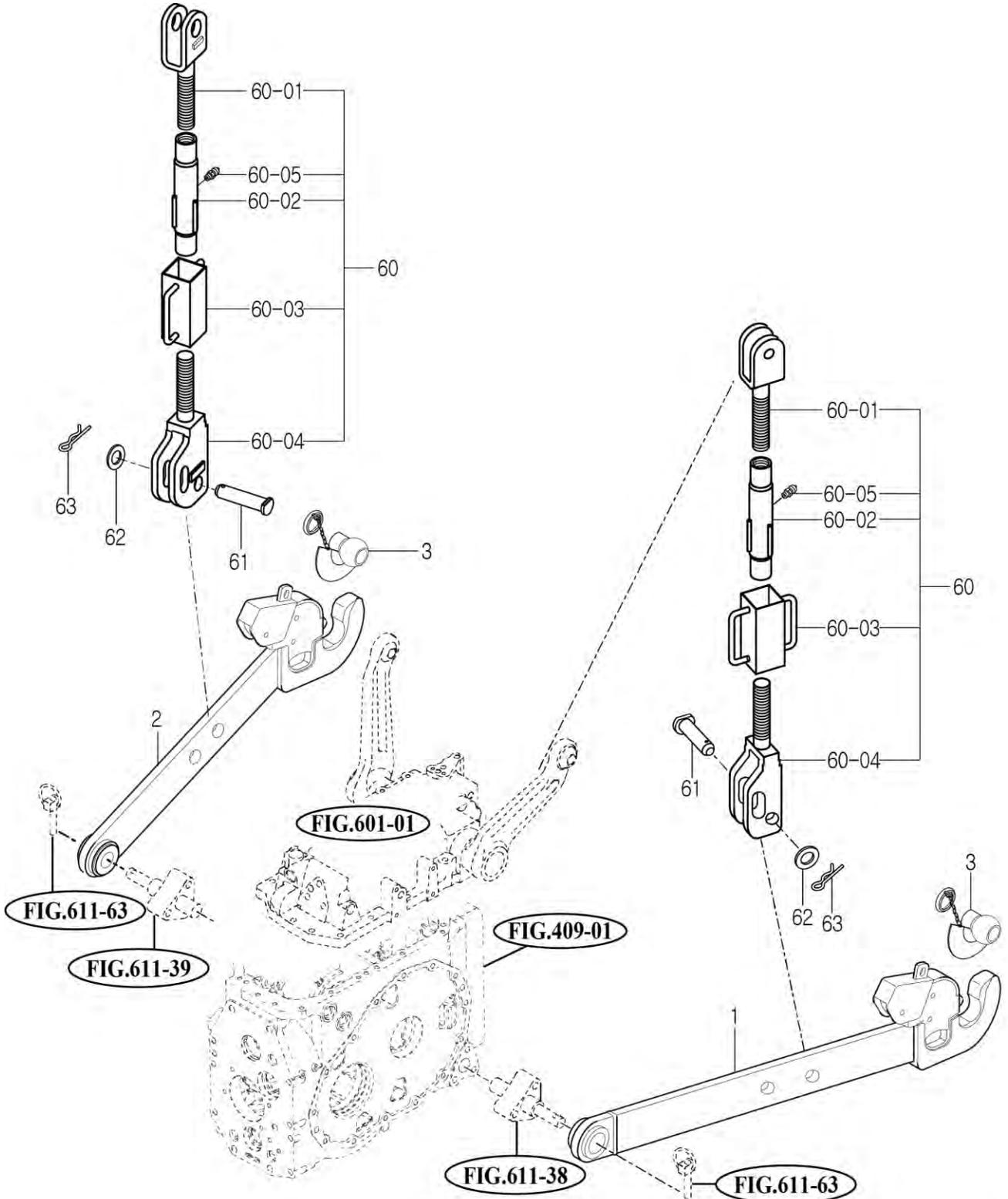
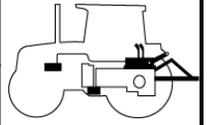
LOWER LINK & LIFT ROD (EU)

T654

P1

Year

2015



T654-K-612B

NOTE

FIG 613

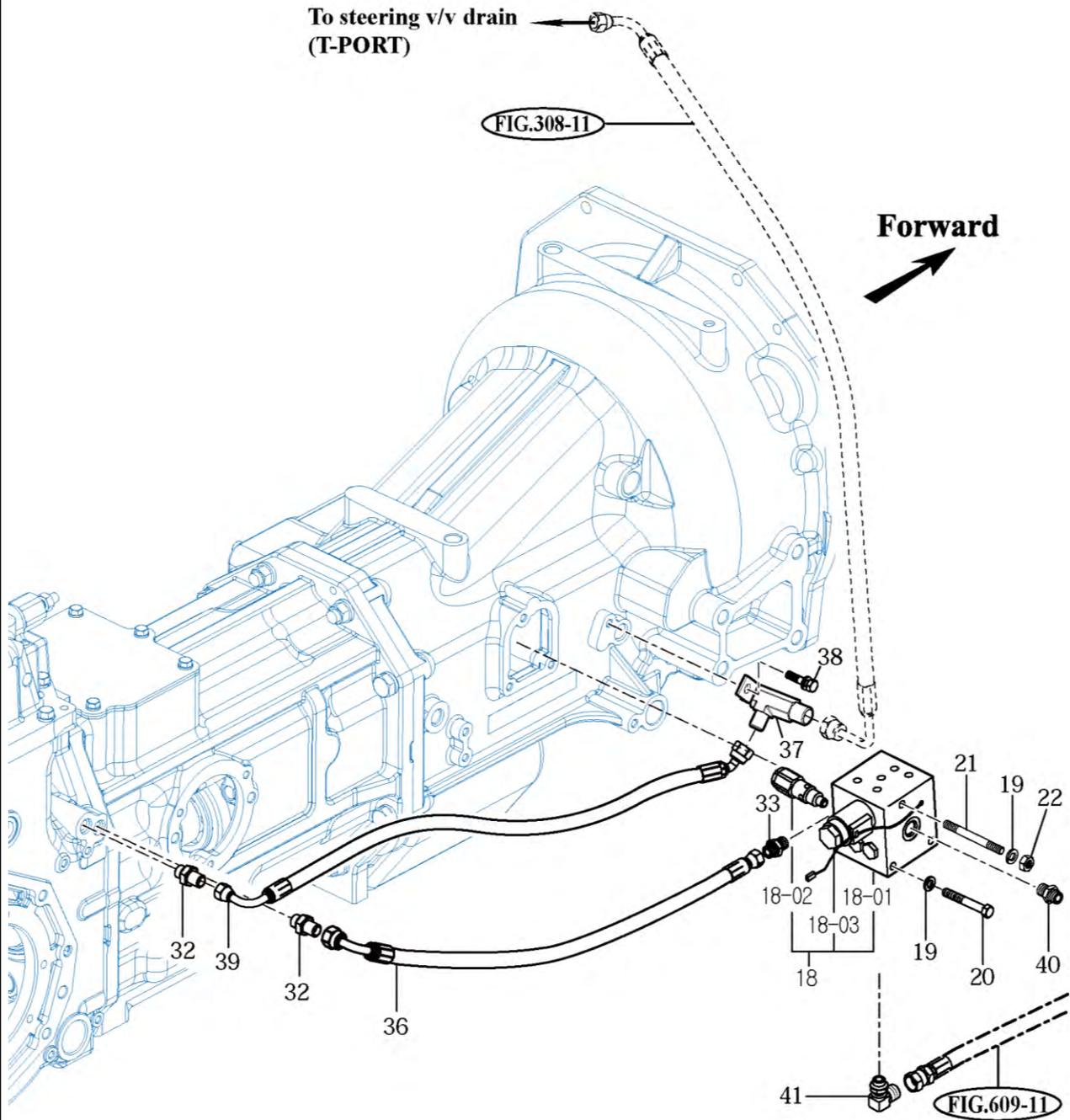
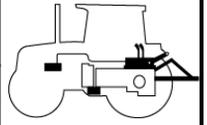
HYDRAULIC HOSE(US)

T654

P1

Year

2015



T654-K-614

NOTE

FIG 613

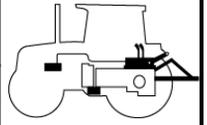
HYDRAULIC HOSE(EU)

T654

P1

Year

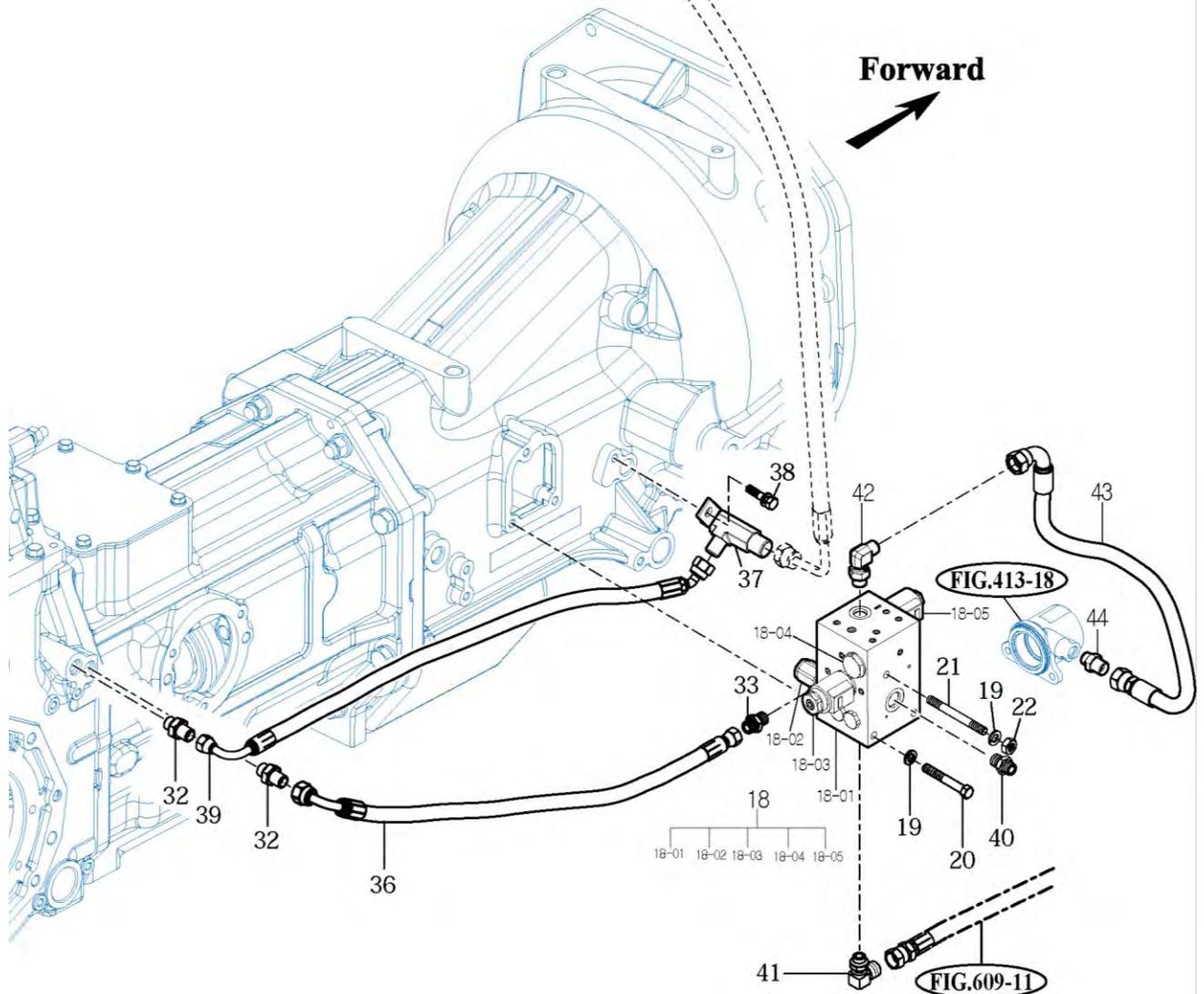
2015



To steering v/v drain
(T-PORT)

FIG.308-11

Forward



T654-K-614

NOTE

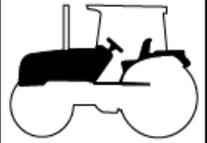
FIG 701

HOOD

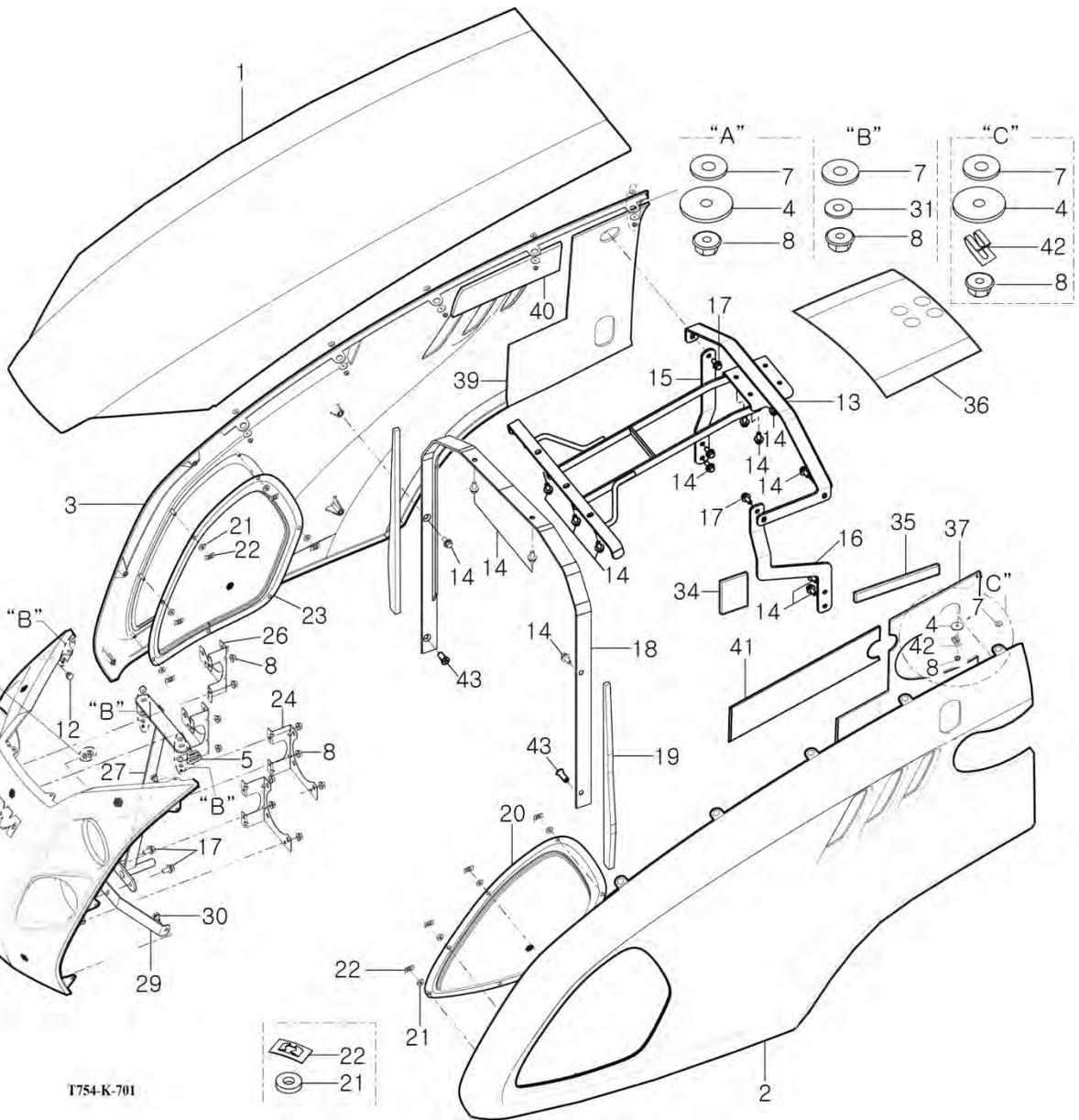
P1

Year

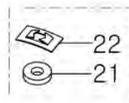
2015



T654



T754-K-701



NOTE

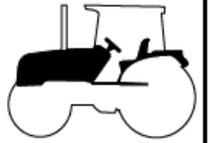
FIG 702

FRONT FRAME

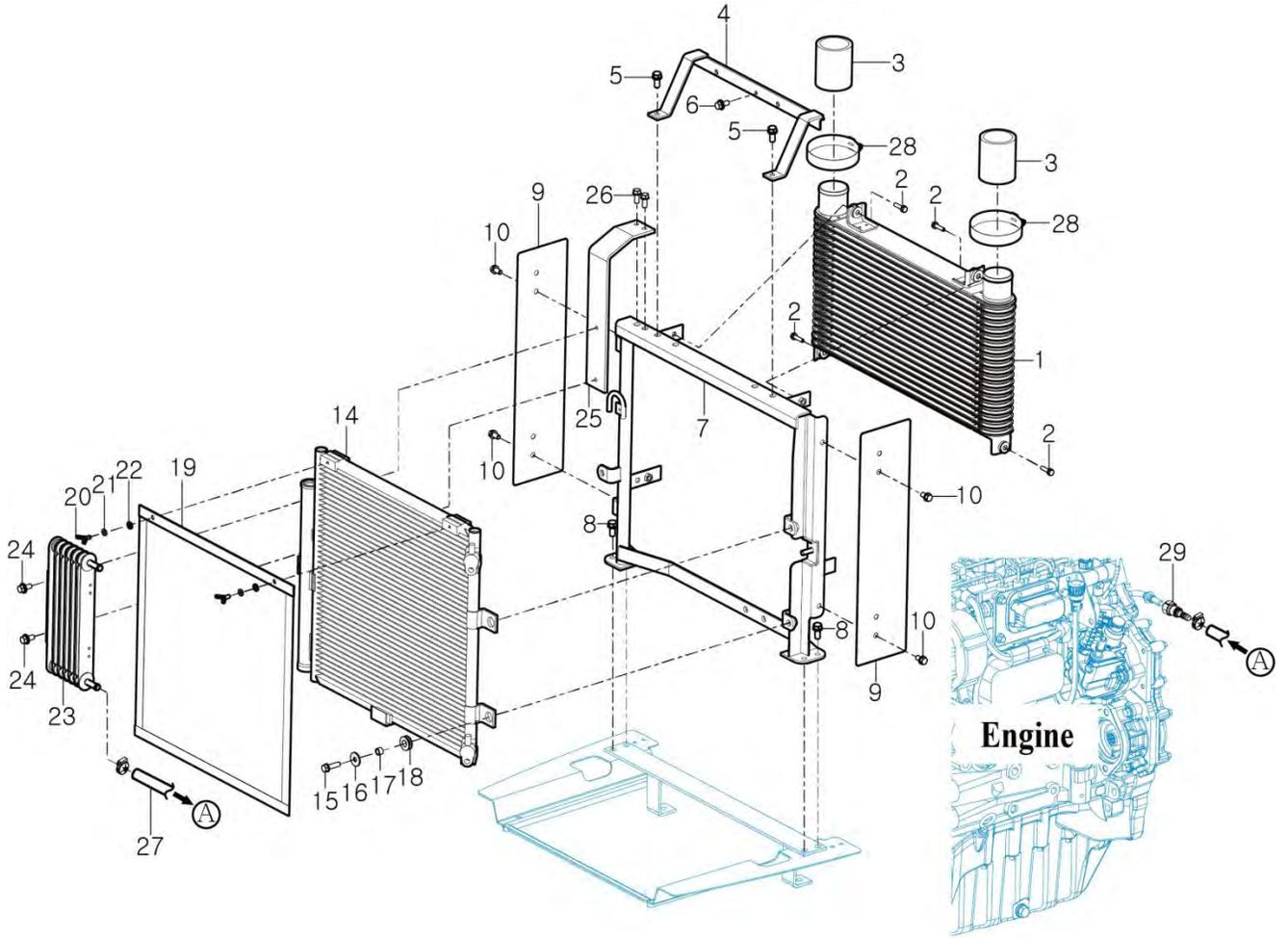
P1

Year

2015



T654



T754-K-702

NOTE

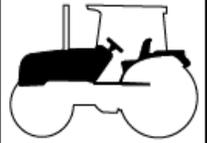
FIG 703

SIDE SUPPORT & FRAME HOOD

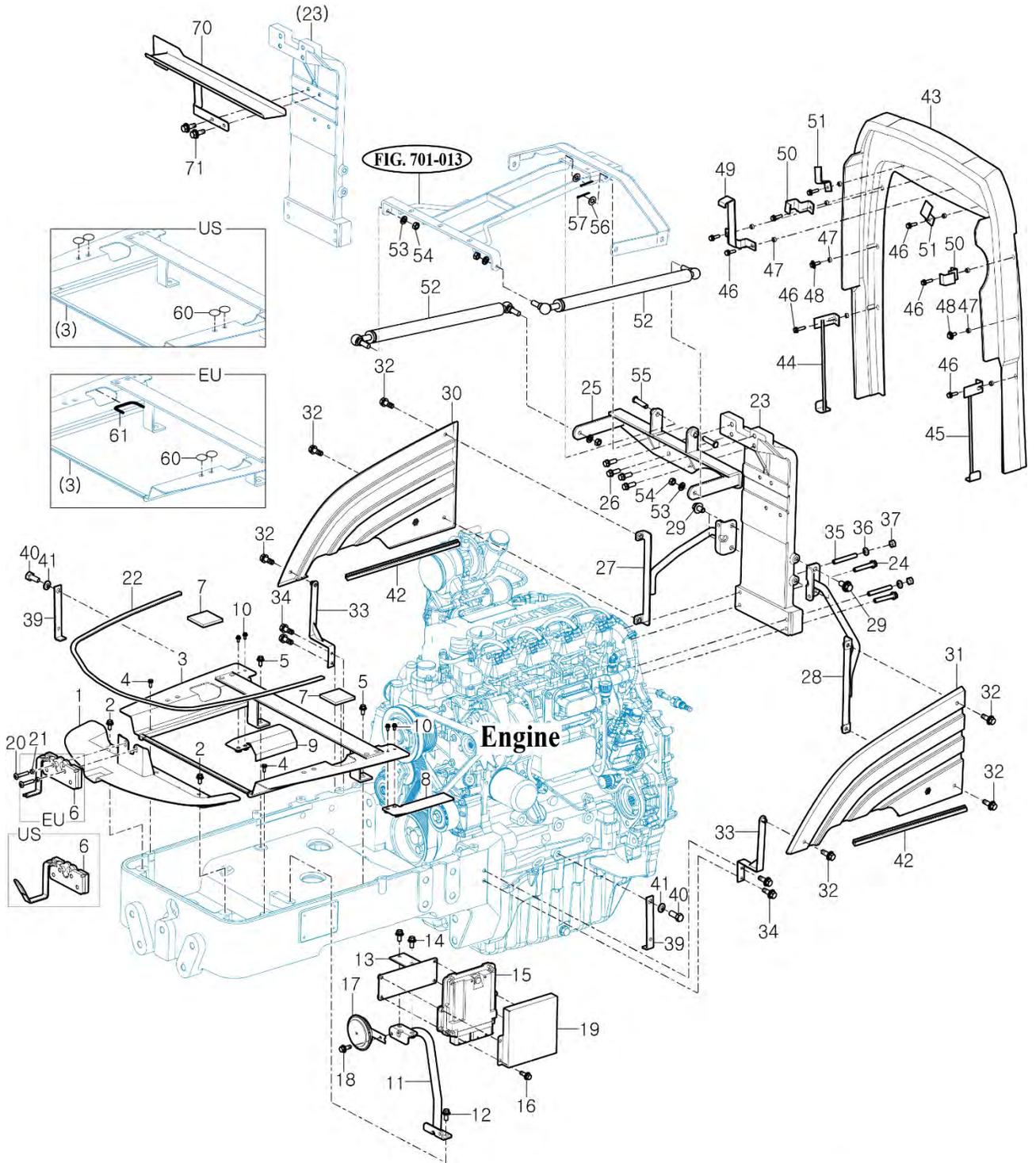
P1

Year

2015



T654



T754-K-703

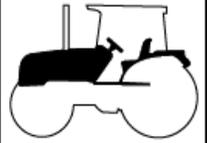
FIG 703

SIDE SUPPORT & FRAME HOOD

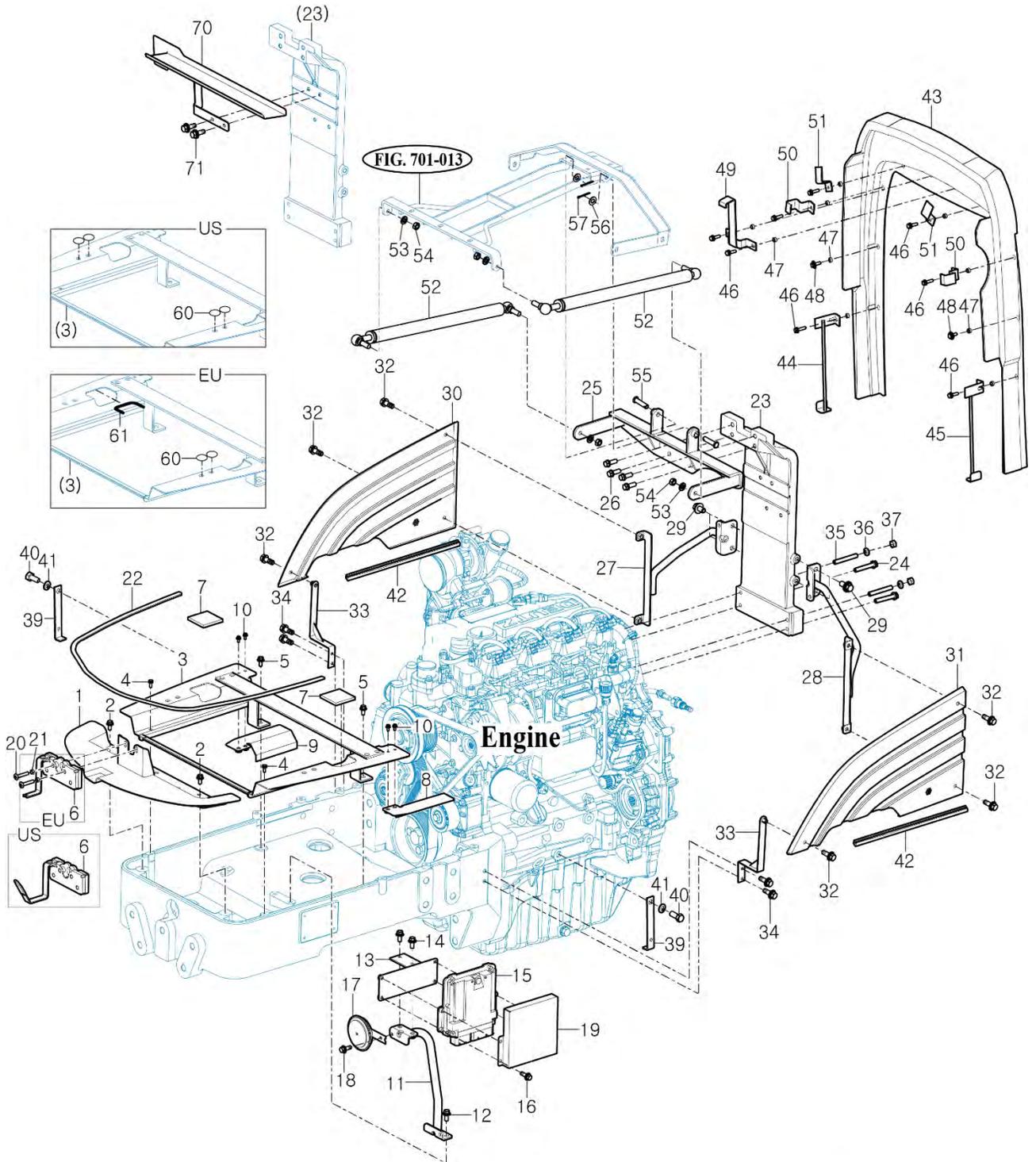
P2

Year

2015

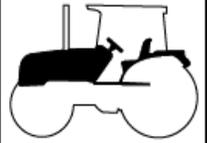


T654



T754-K-703

NOTE



T654

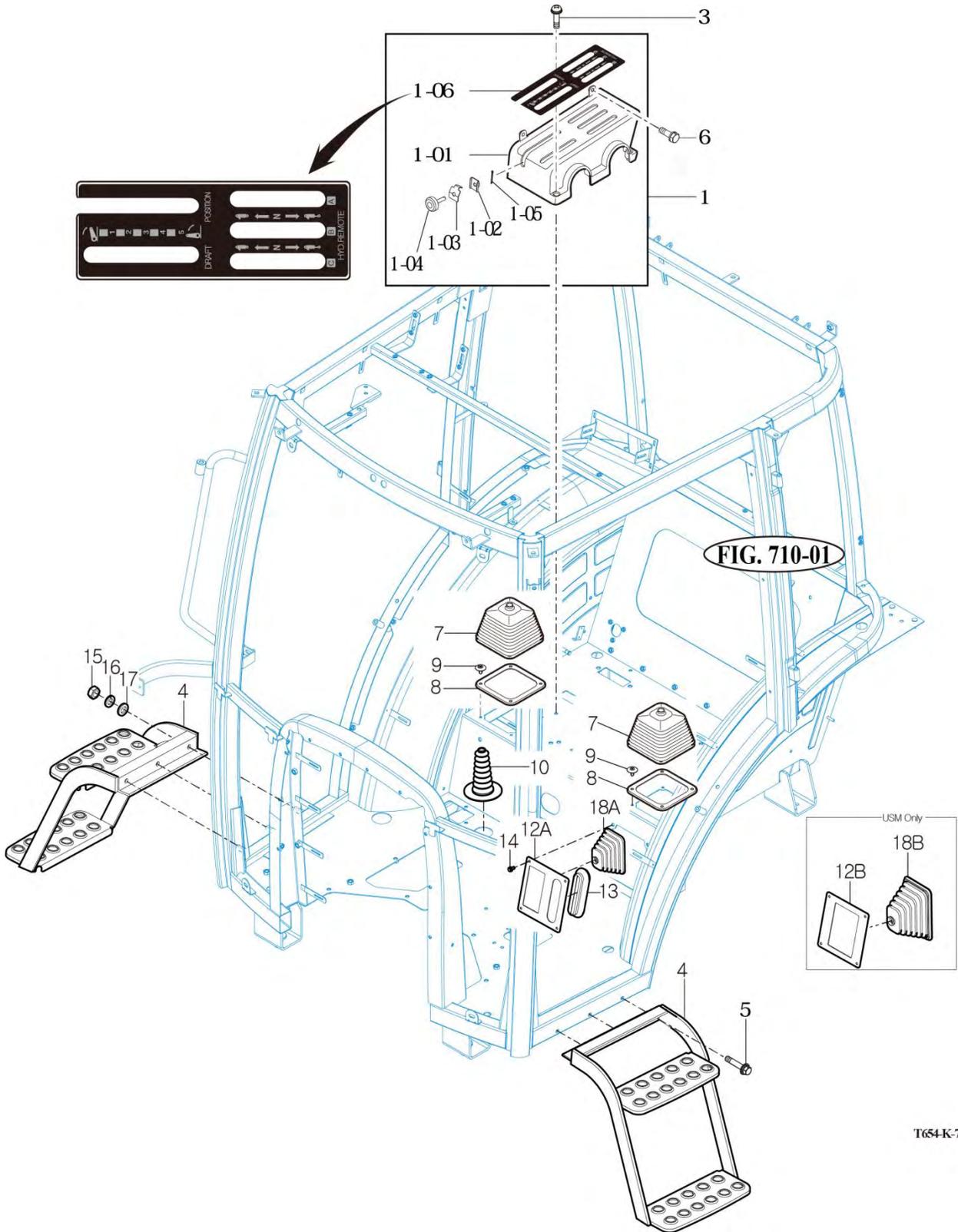


FIG. 710-01

USM Only

T654-K-704

NOTE

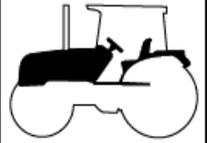
FIG 705

FRONT & REAR MOUNTING

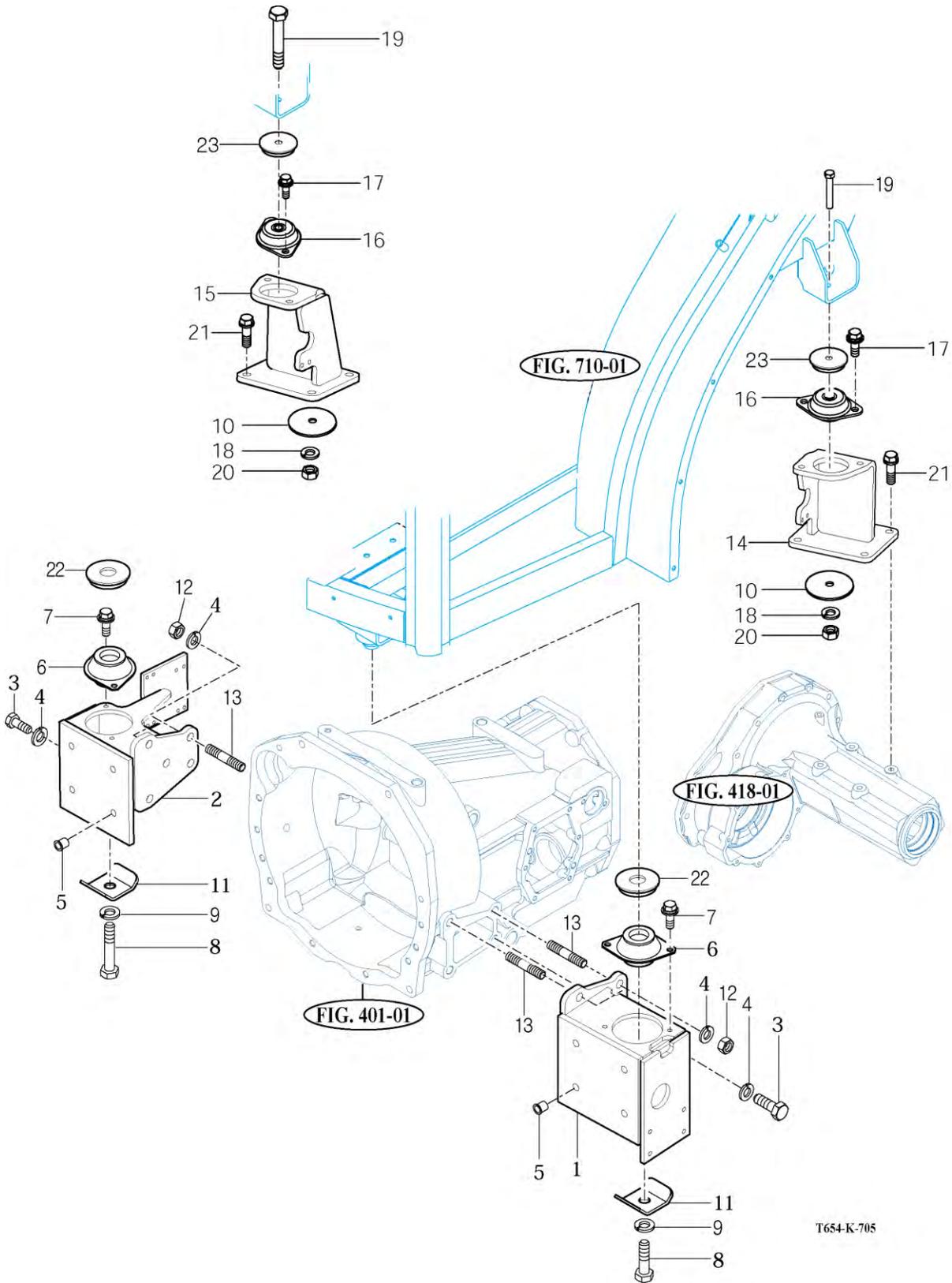
P1

Year

2015



T654



T654-K-705

NOTE

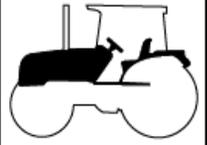
FIG 706

SEAT & MAT

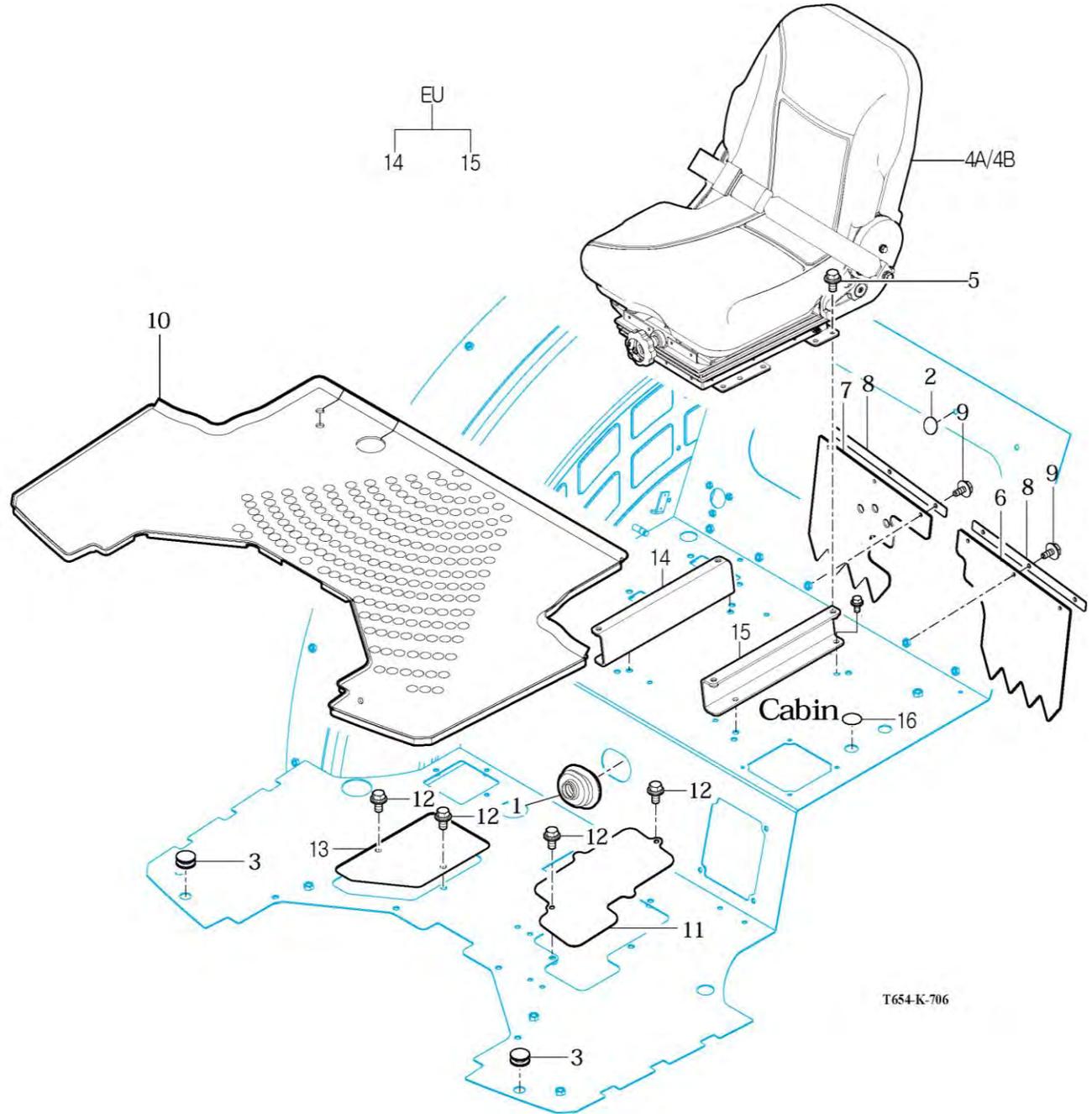
P1

Year

2015



T654



T654-K-706

NOTE

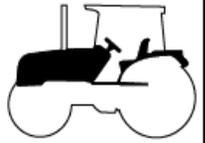
FIG 709

DOOR

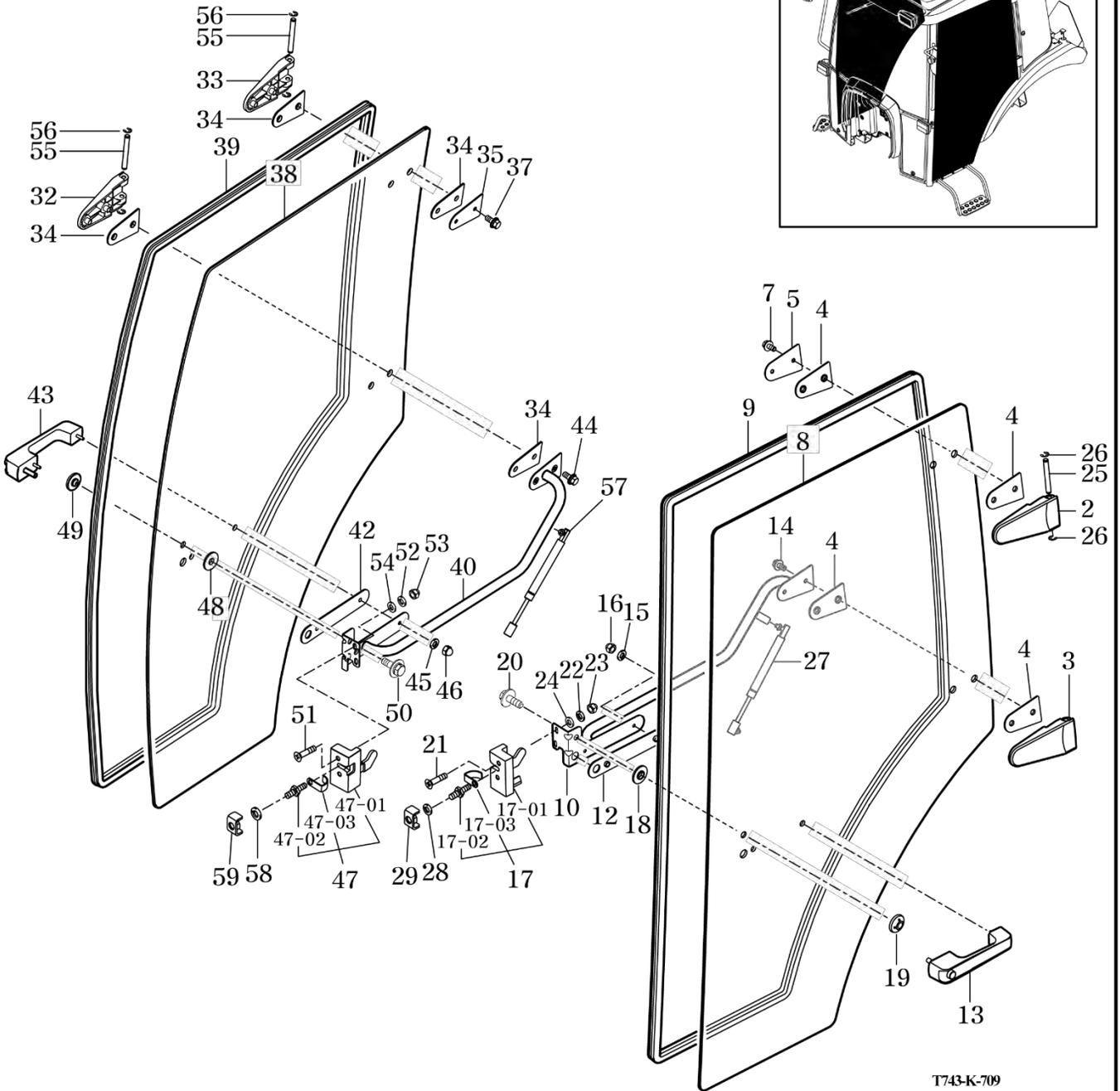
P1

Year

2015



T654



T743-K-709

NOTE

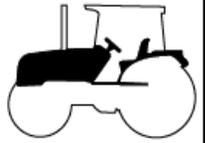
FIG 709

DOOR

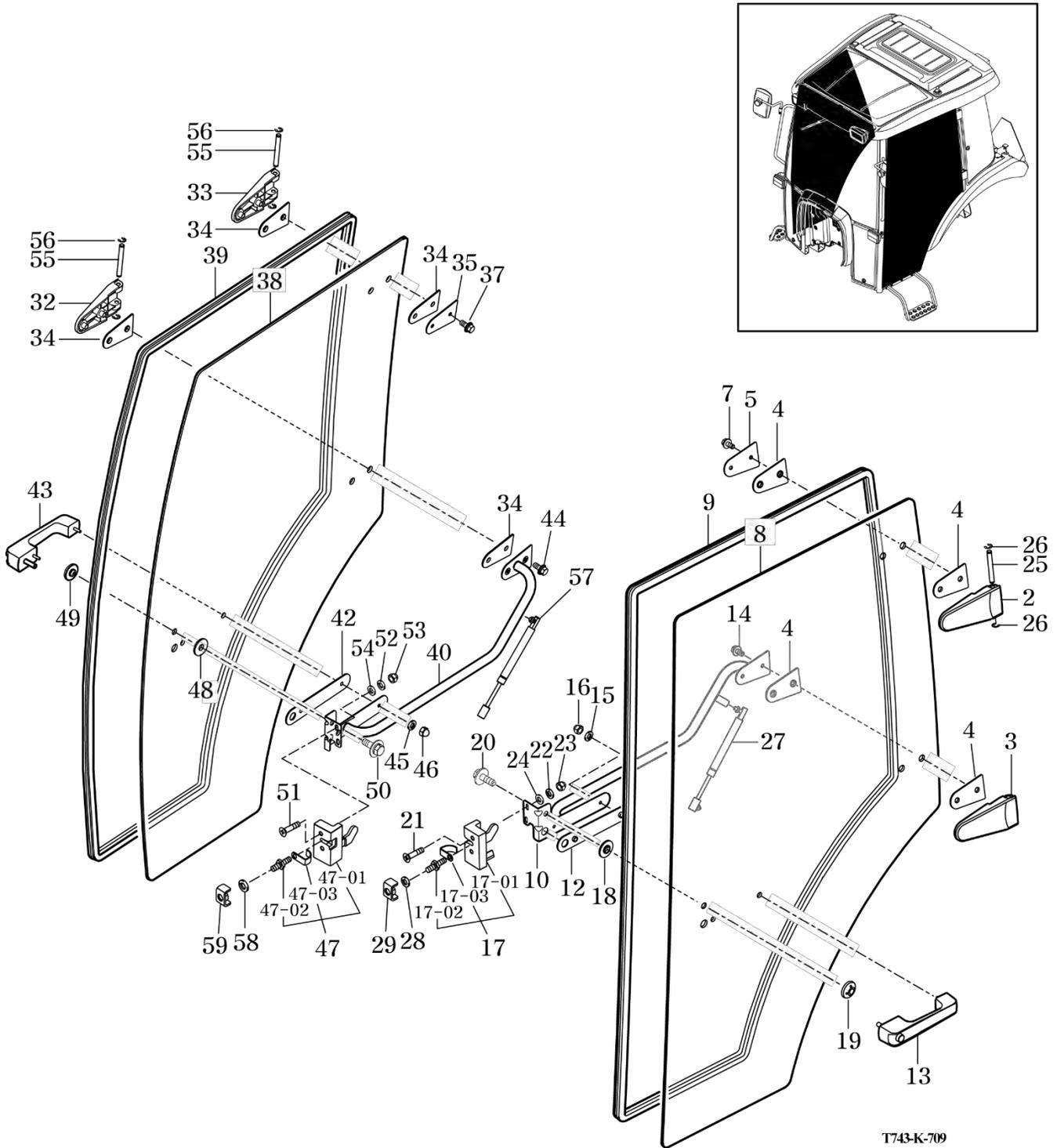
P2

Year

2015



T654



T743-K-709

NOTE

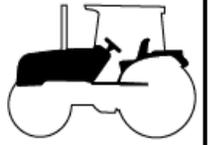
FIG 710

FRONT GLASS

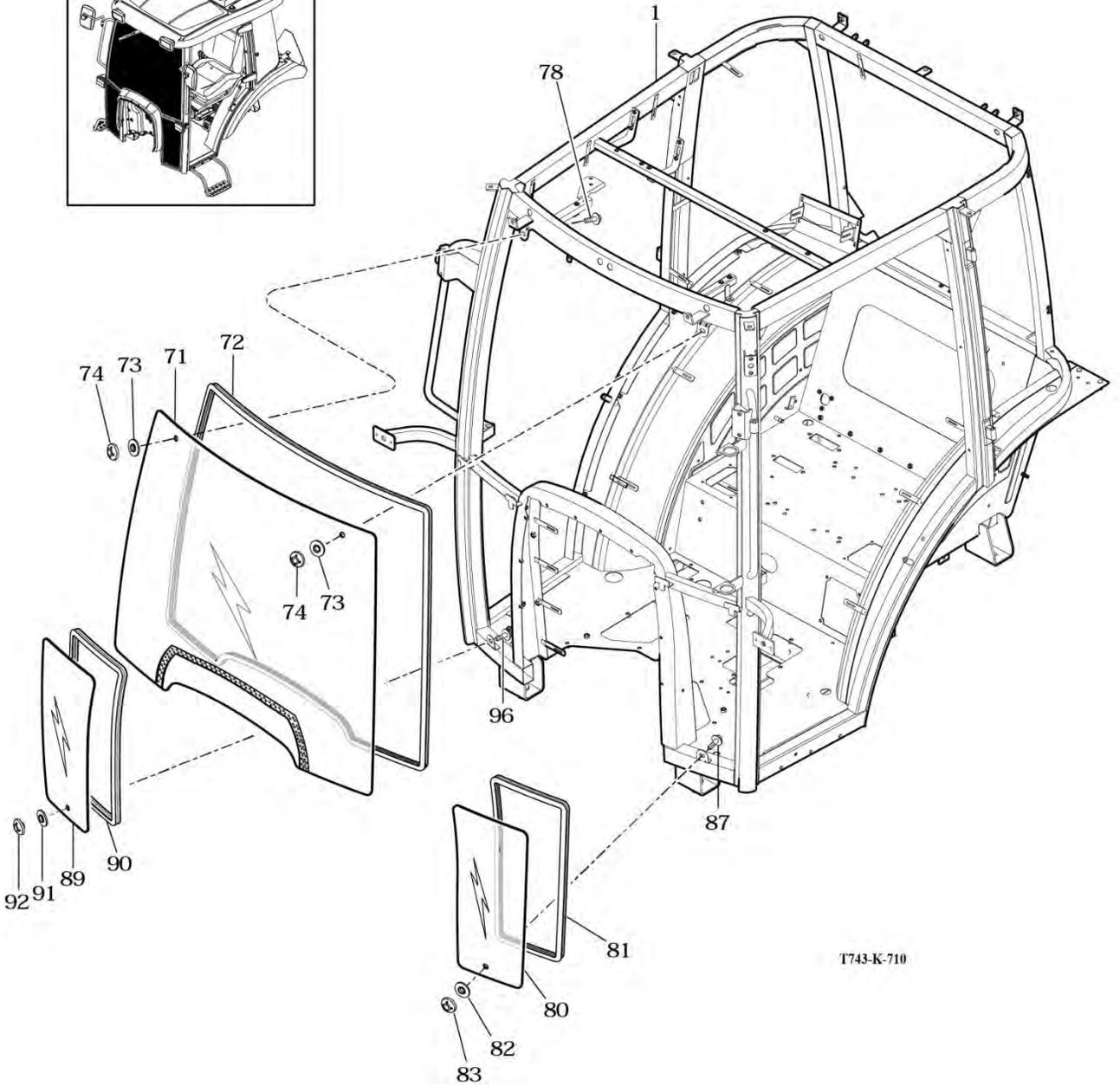
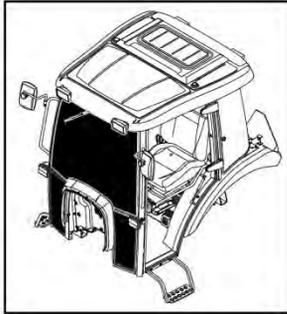
P1

Year

2015



T654



T743-K-710

NOTE

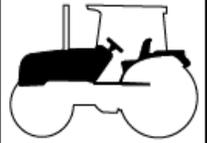
FIG 711

SIDE GLASS

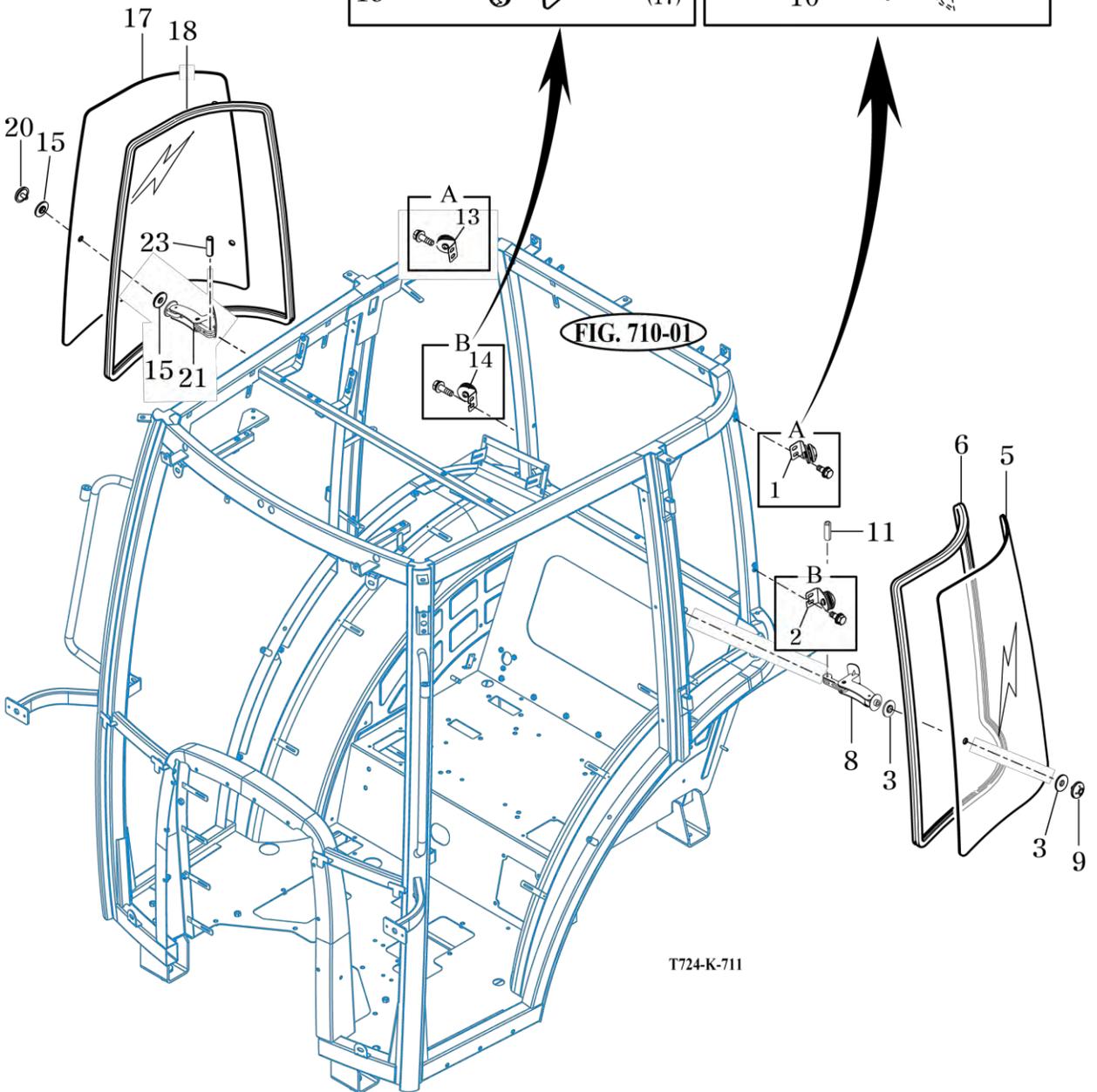
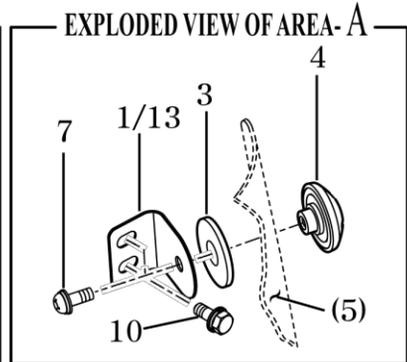
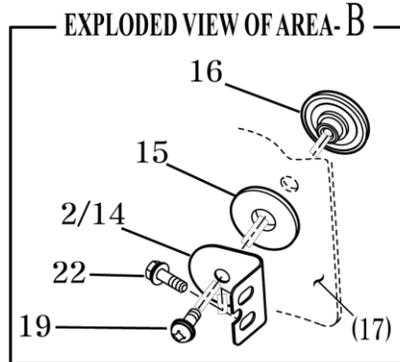
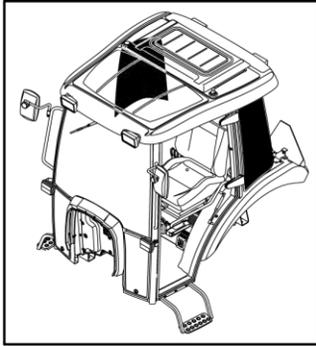
P1

Year

2015



T654



NOTE

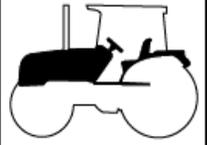
FIG 712

REAR GLASS

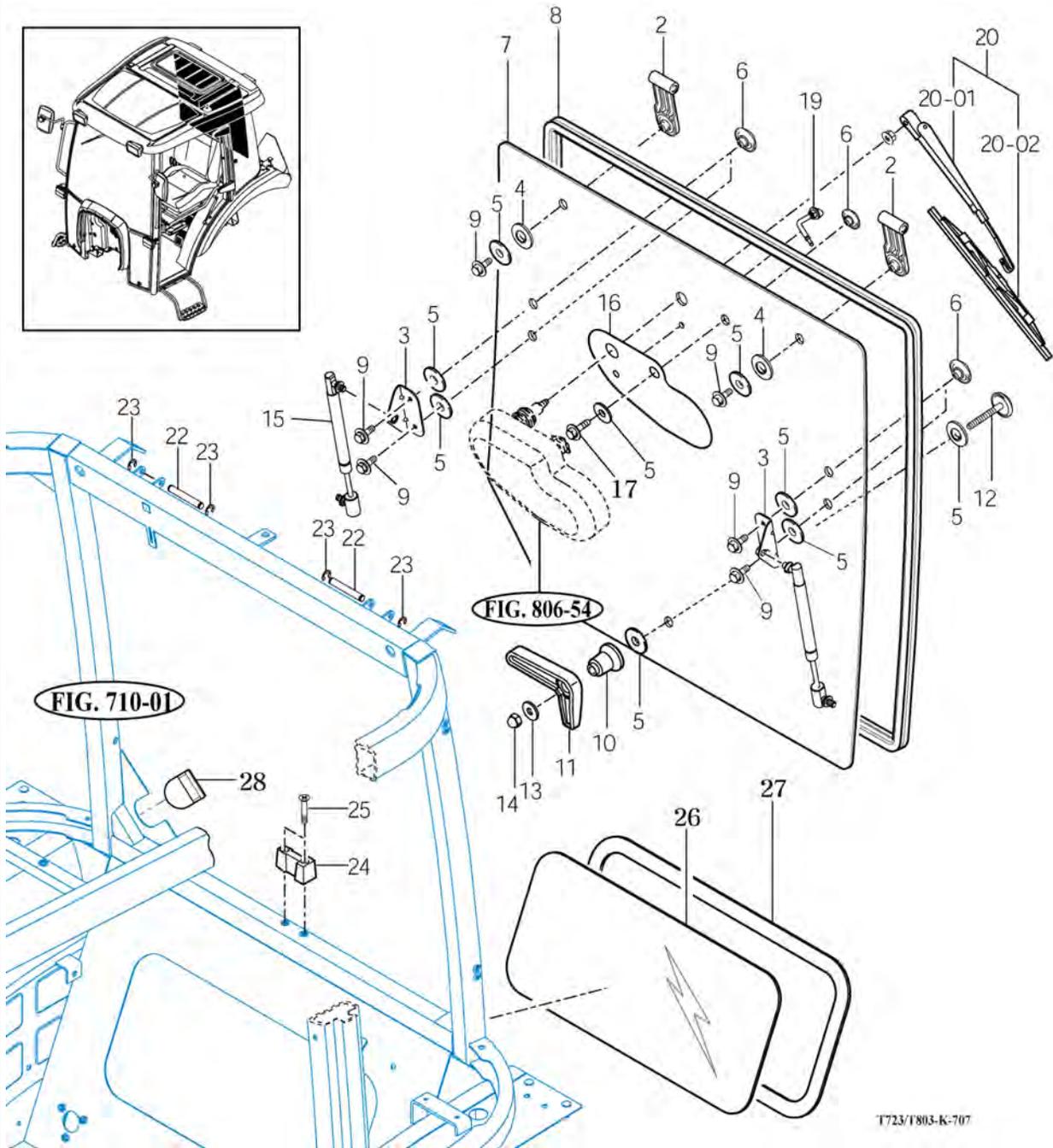
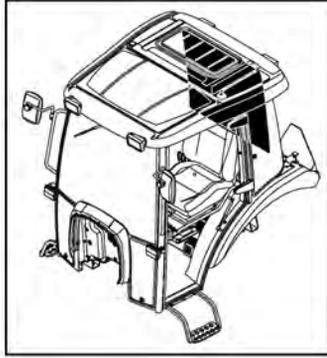
P1

Year

2015



T654



T723/T803-K-707

NOTE

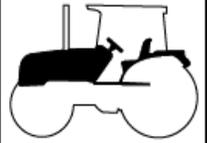
FIG 713

SUB FENDER & COVER

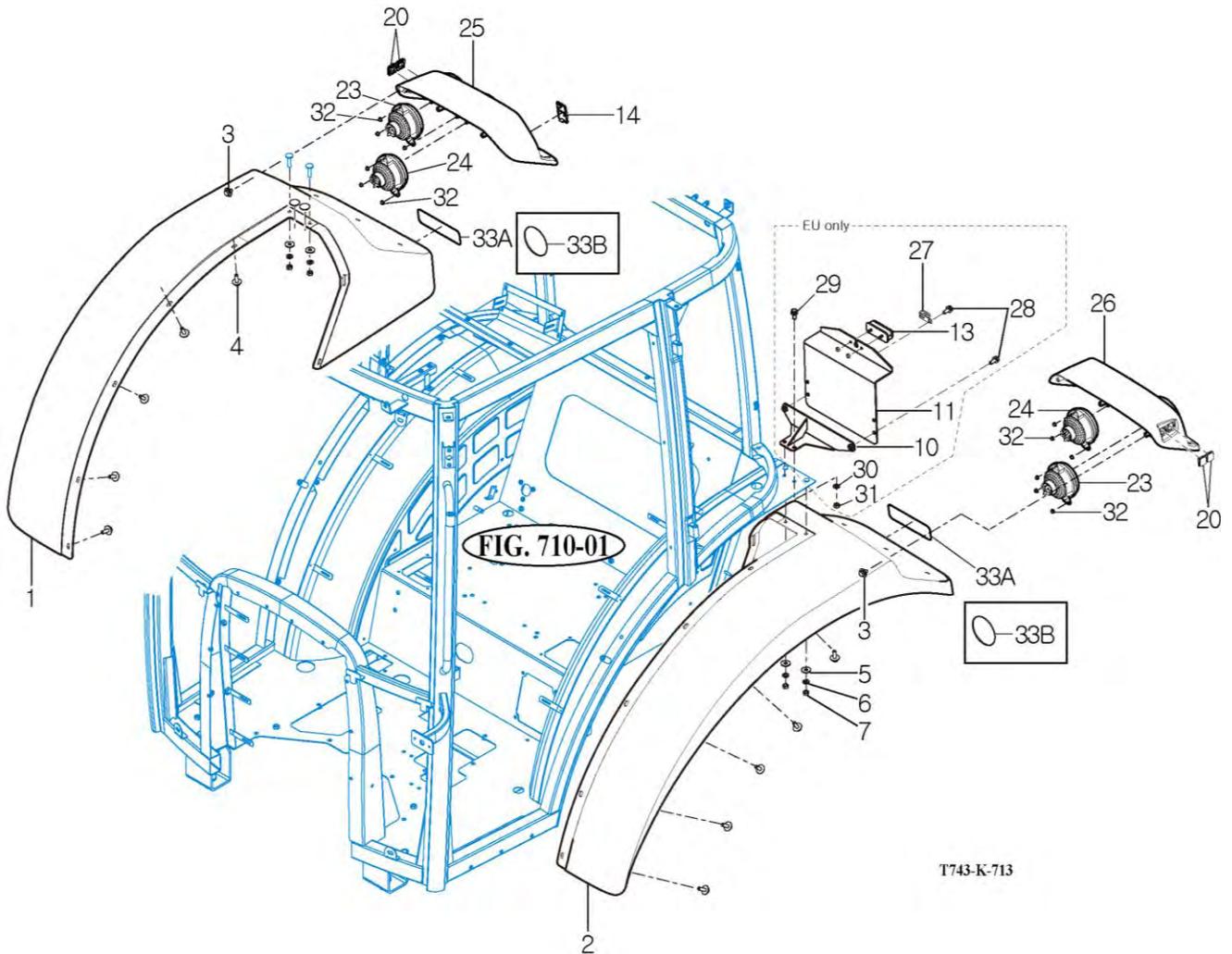
P1

Year

2015



T654



T743-K-713

NOTE

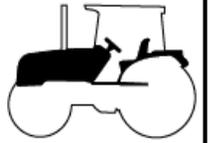
FIG 714

MIRROR

P1

Year

2015



T654

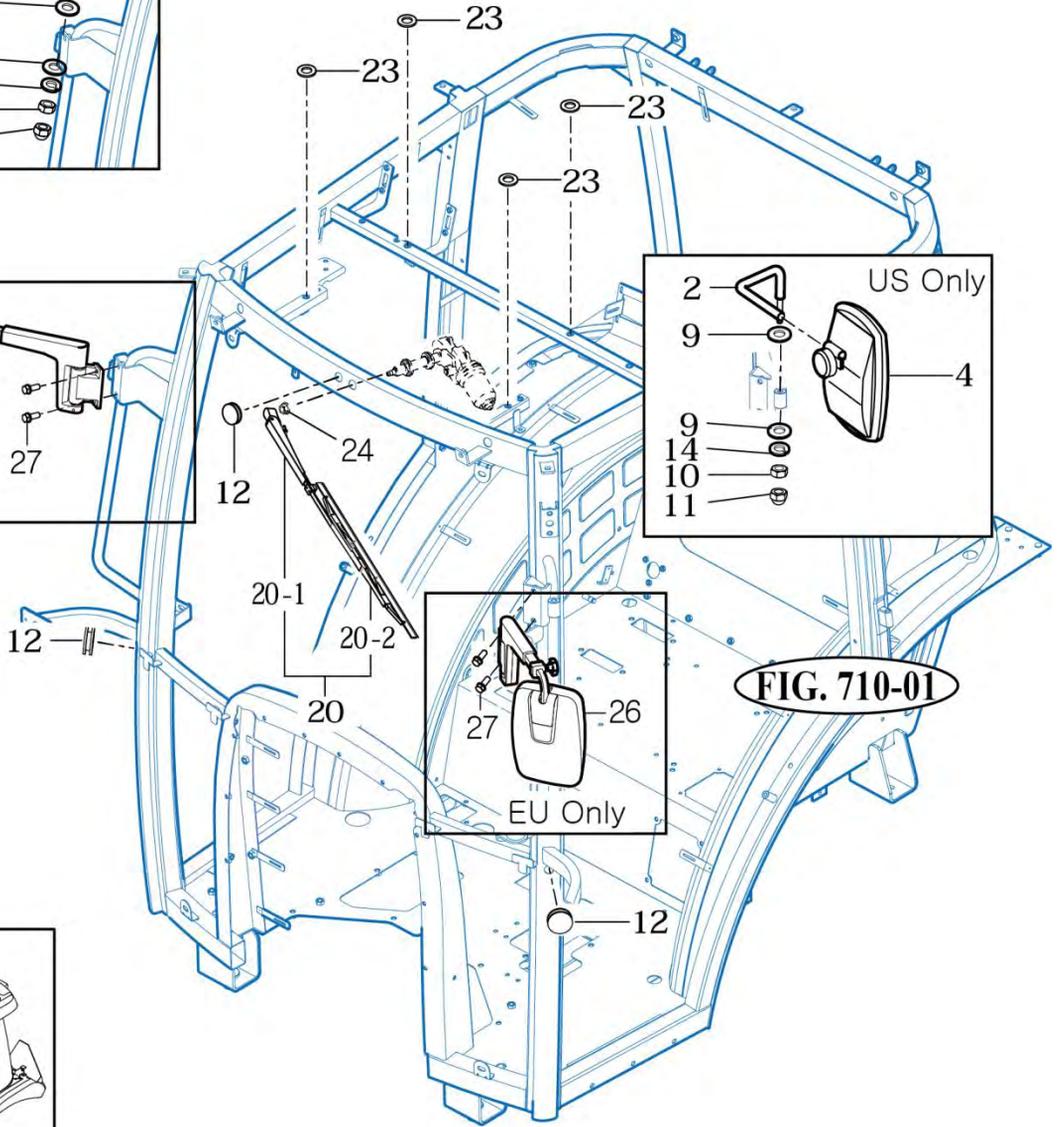
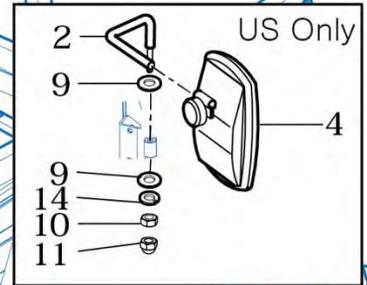
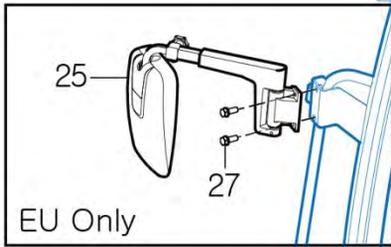
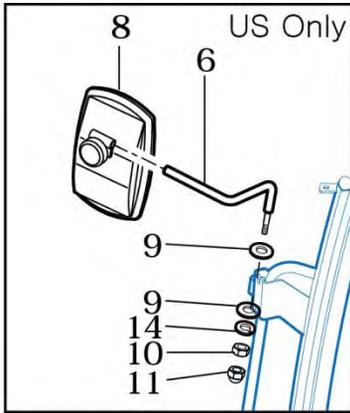
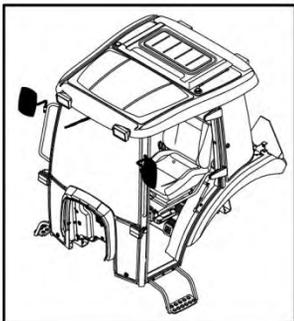
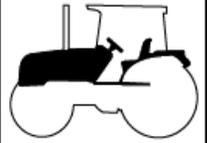


FIG. 710-01

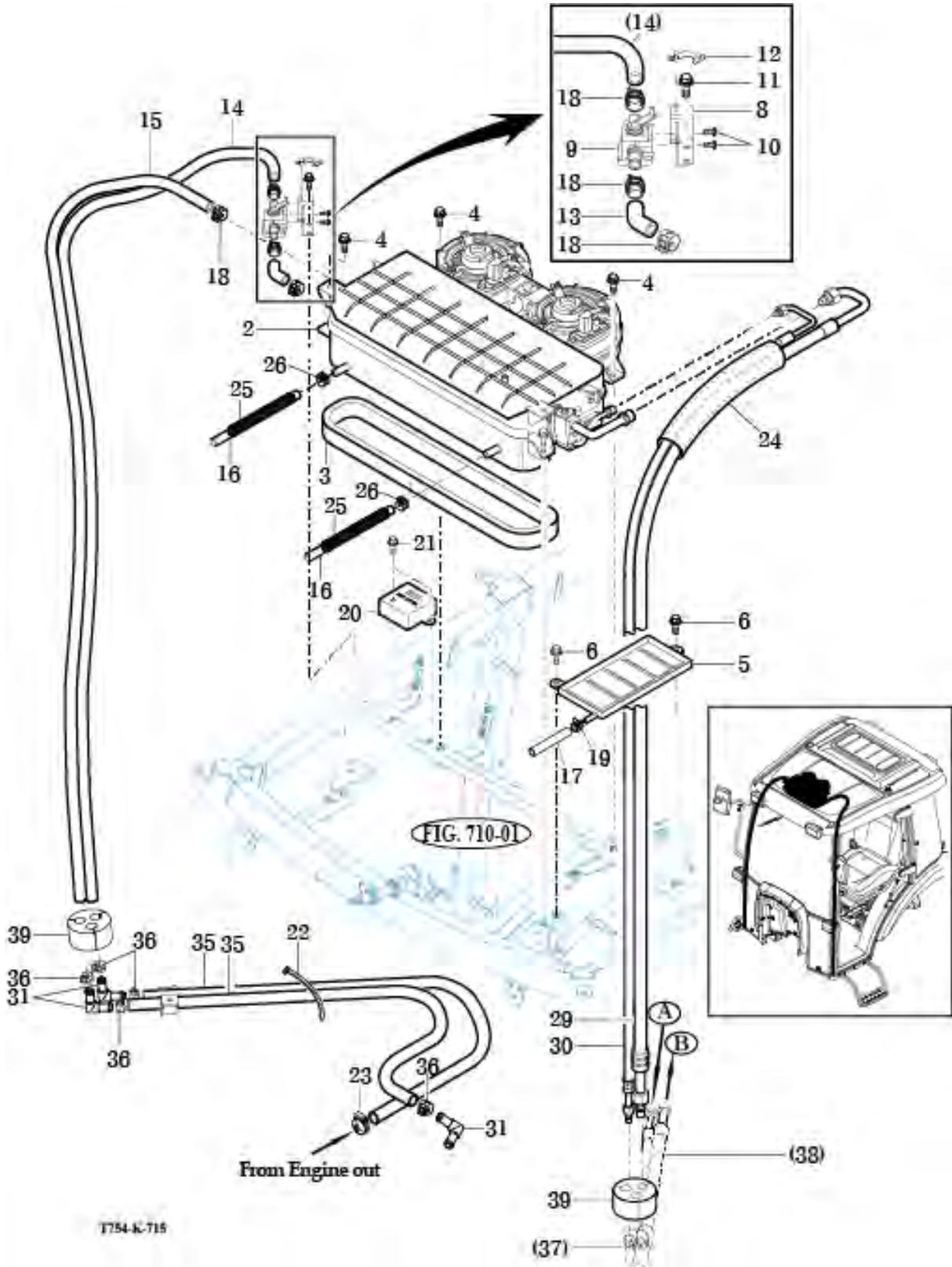


T743-K-714

NOTE



T654



T754-K-715

NOTE

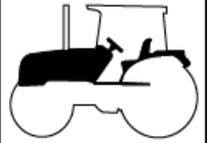
FIG 715

HEATER & AIR-CON

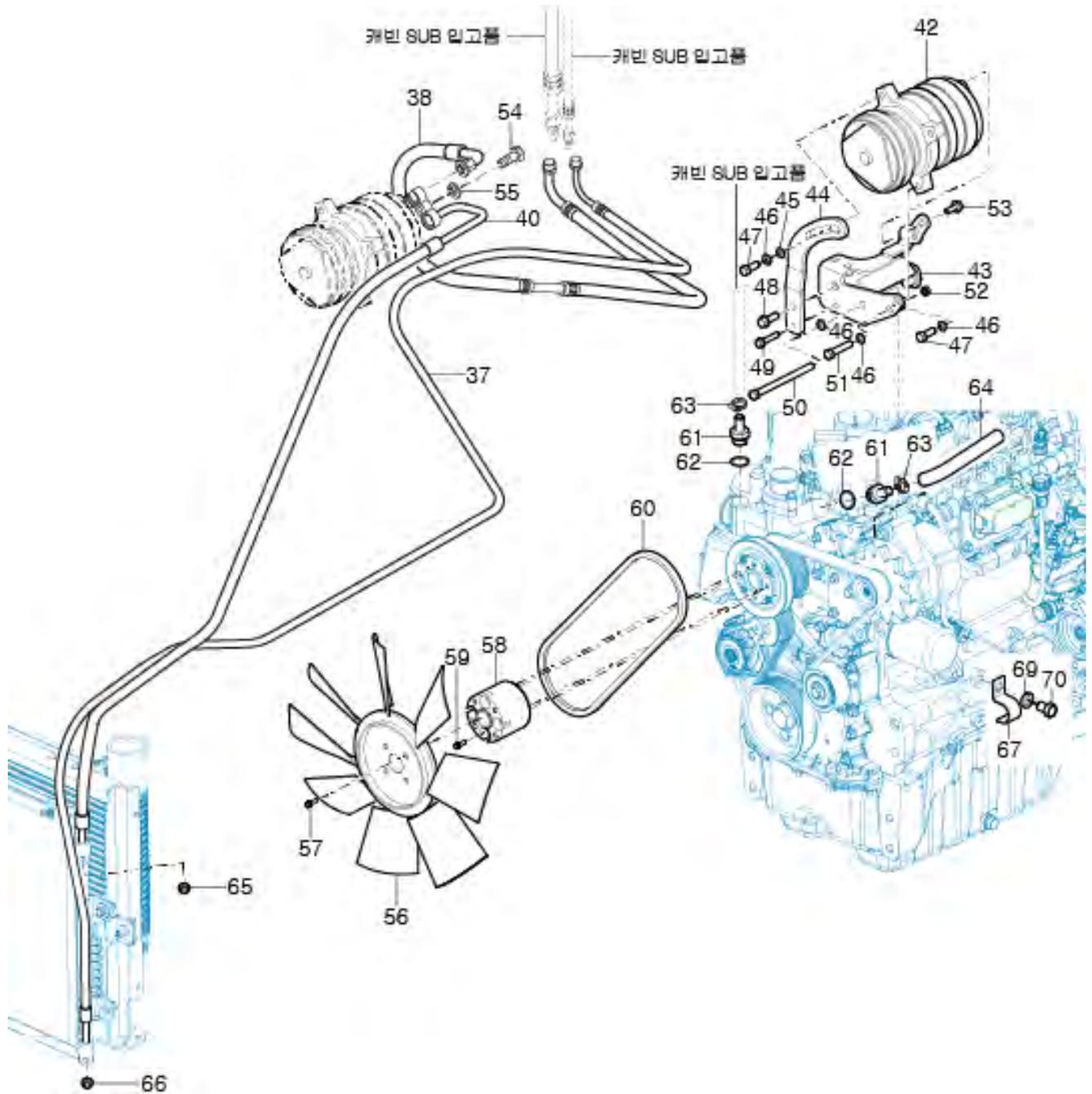
P2

Year

2015



T654



NOTE

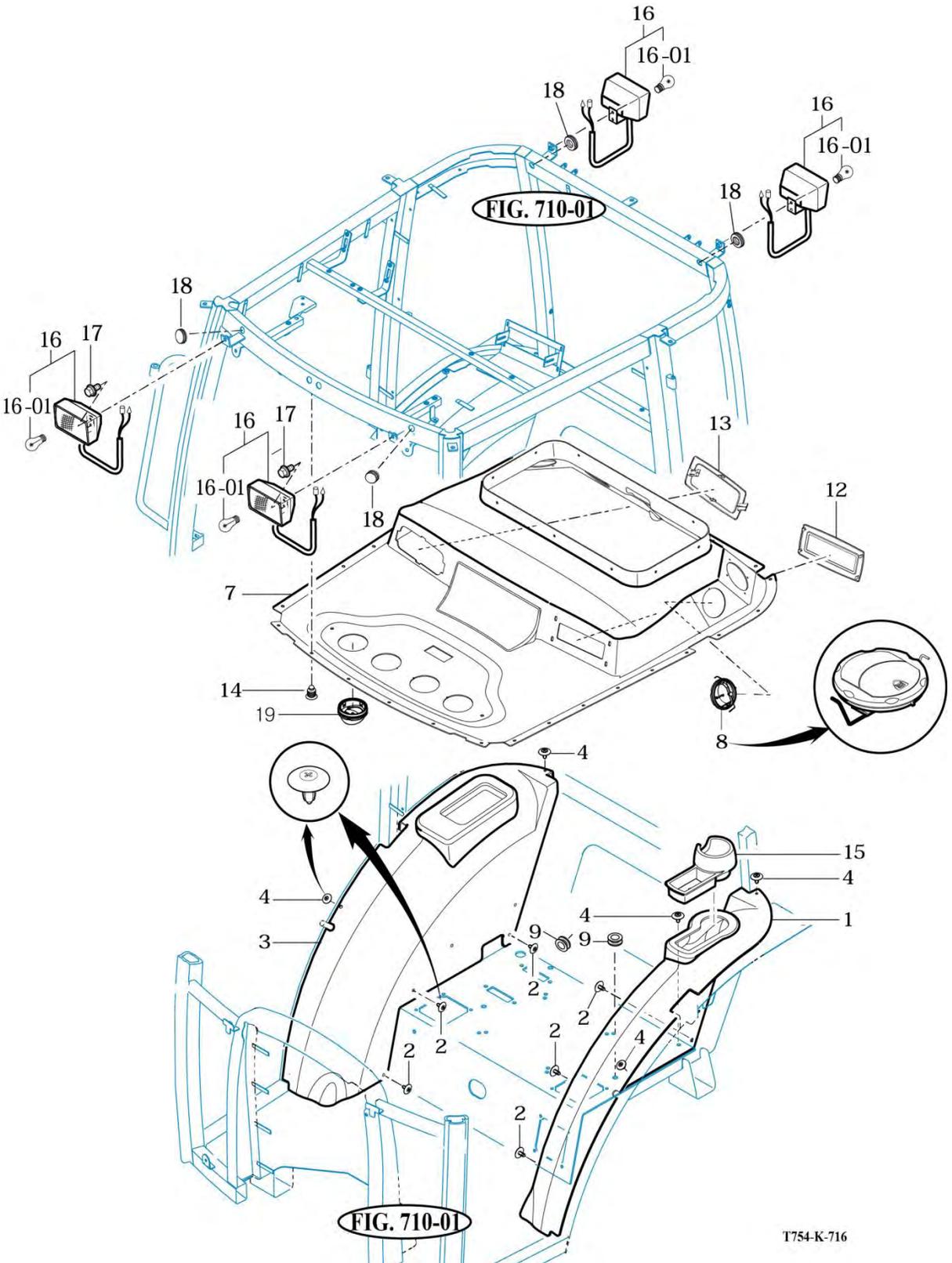
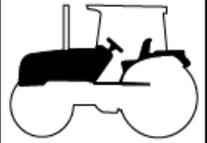
FIG 716

FENDER COVER

P1

Year

2015



T754-K-716

NOTE

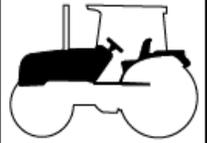
FIG 717

ROOF

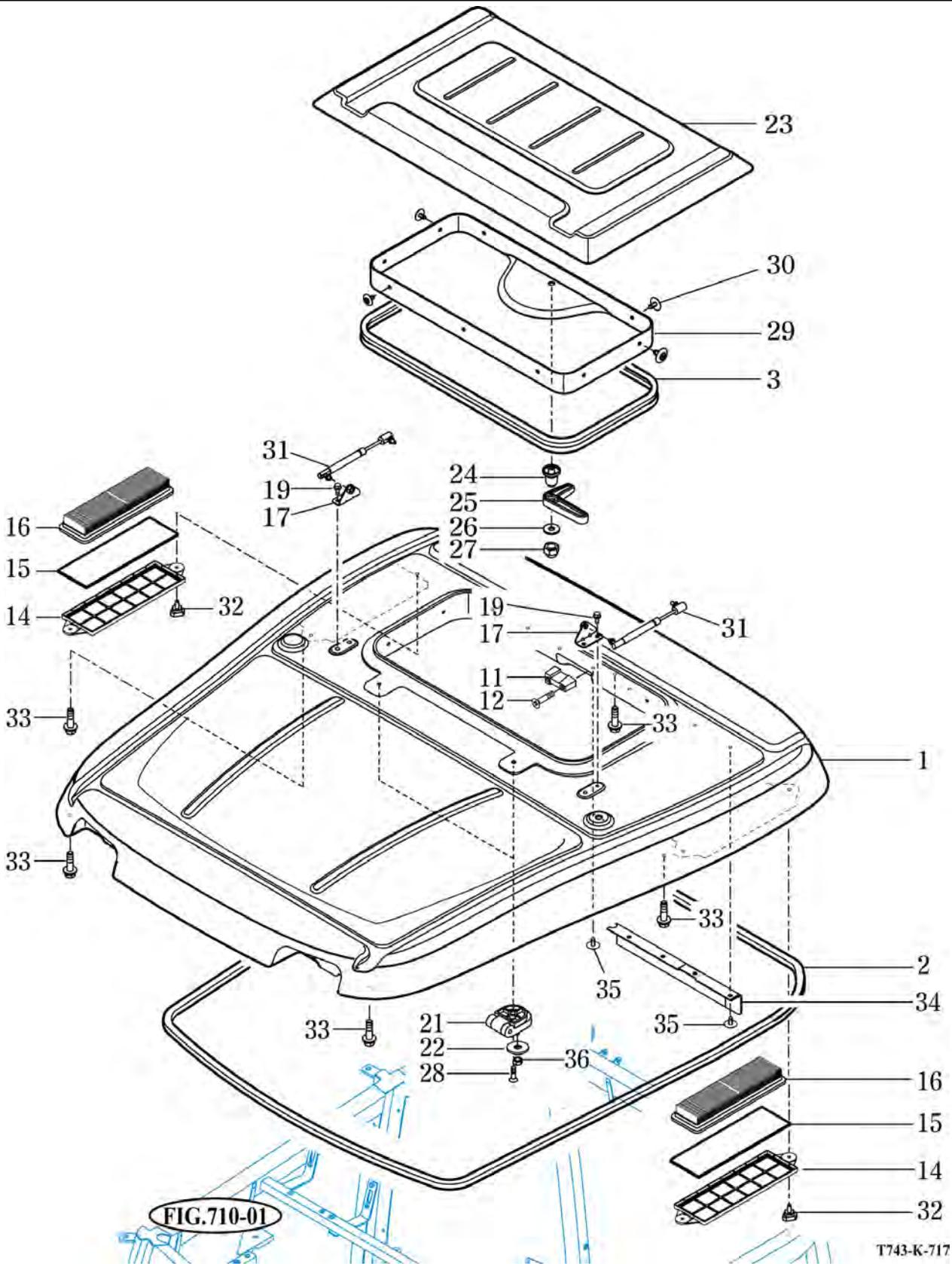
P1

Year

2015



T654



NOTE

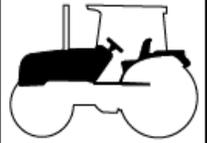
FIG 718

CABIN INTERIOR

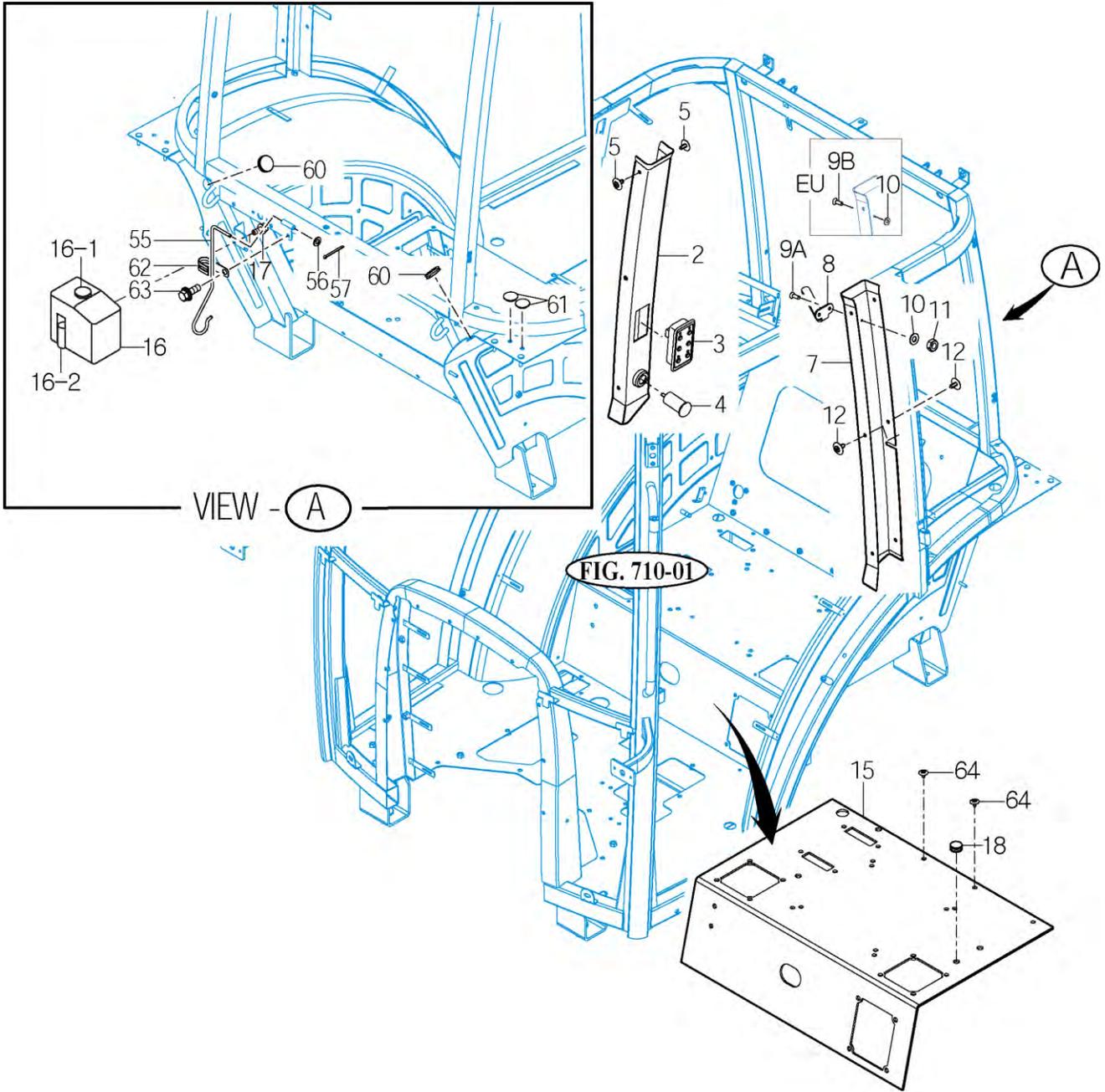
P1

Year

2015



T654



T654-K-718

NOTE

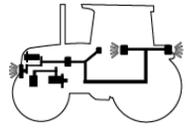
FIG 801

BATTERY & MOUNTING

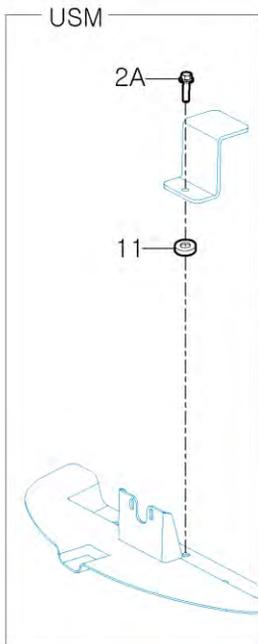
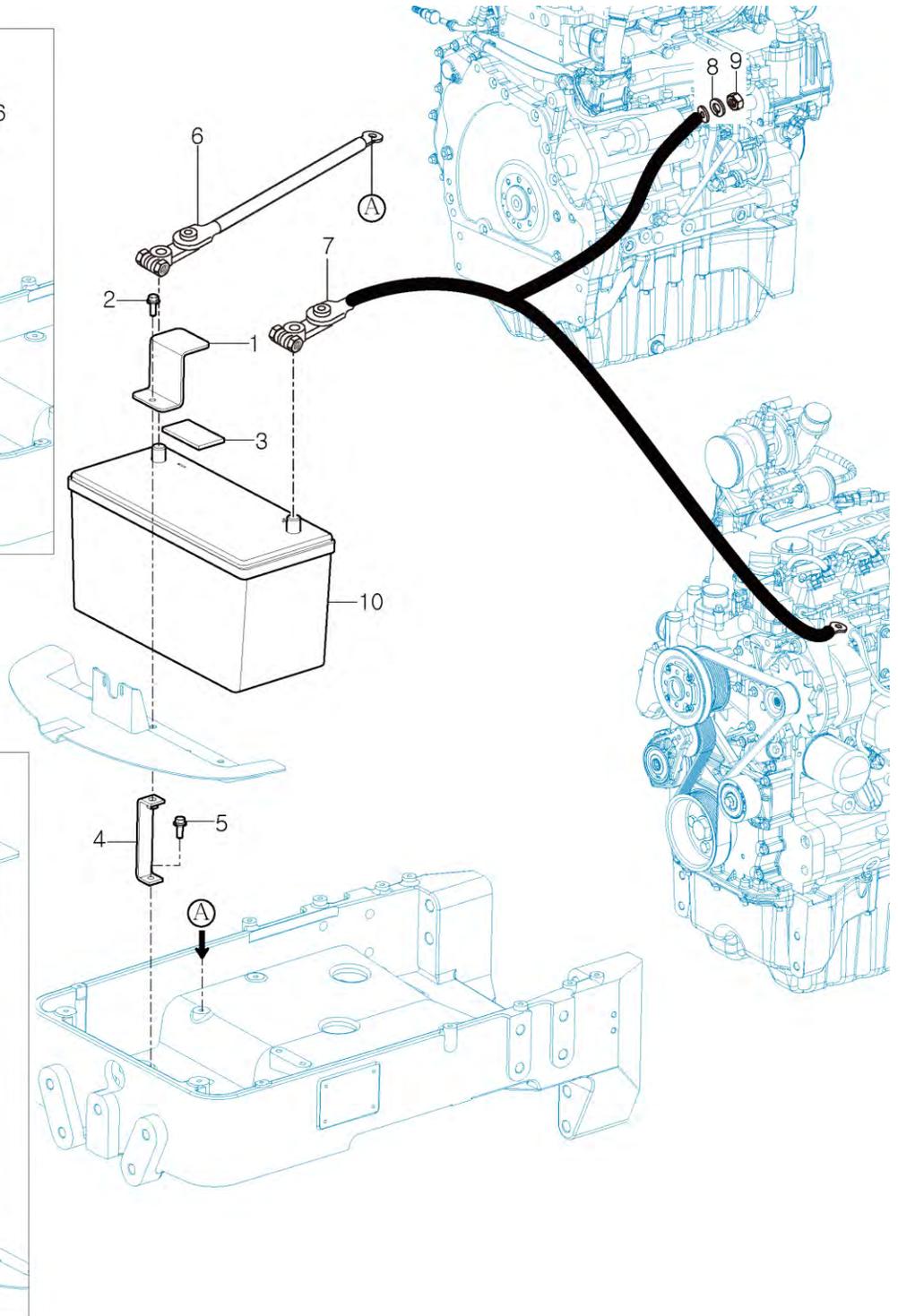
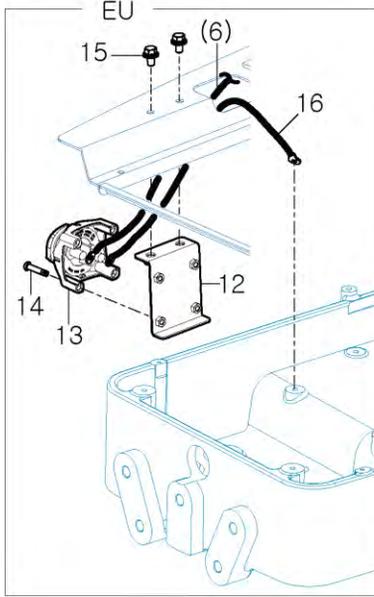
P1

Year

2015



T654



NOTE

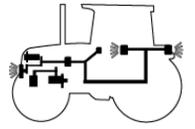
FIG 802

HARNESS

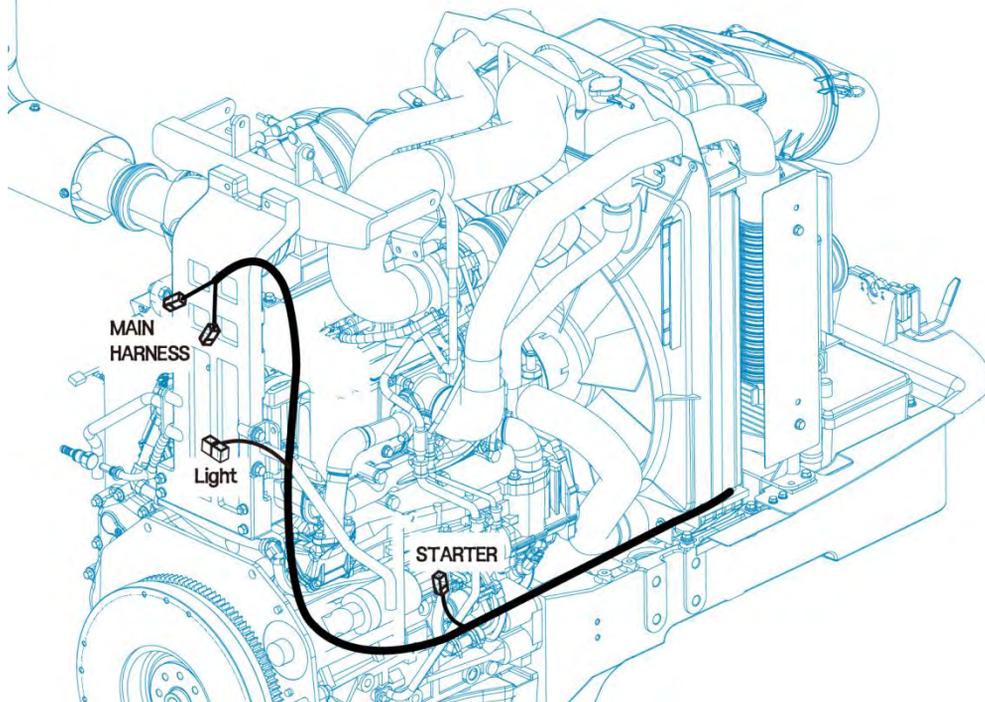
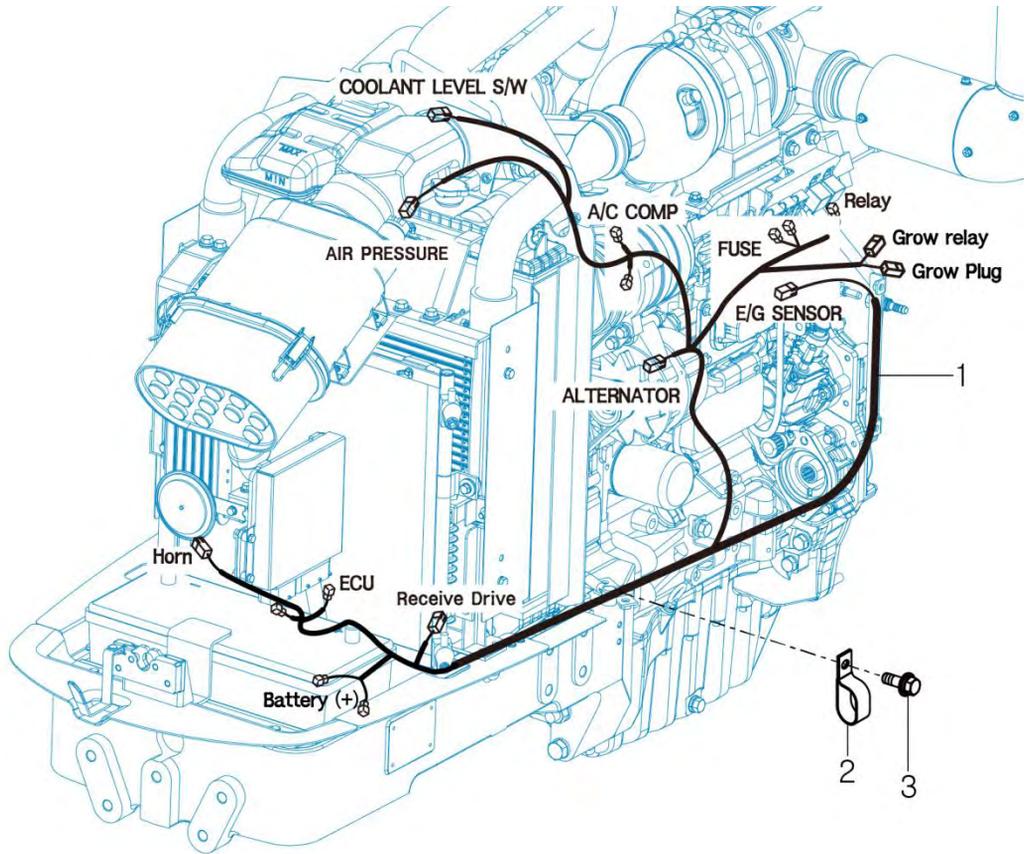
P1

Year

2015



T654



NOTE

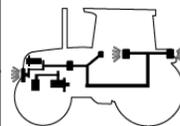
FIG 803

LIGHT & BACK LAMP

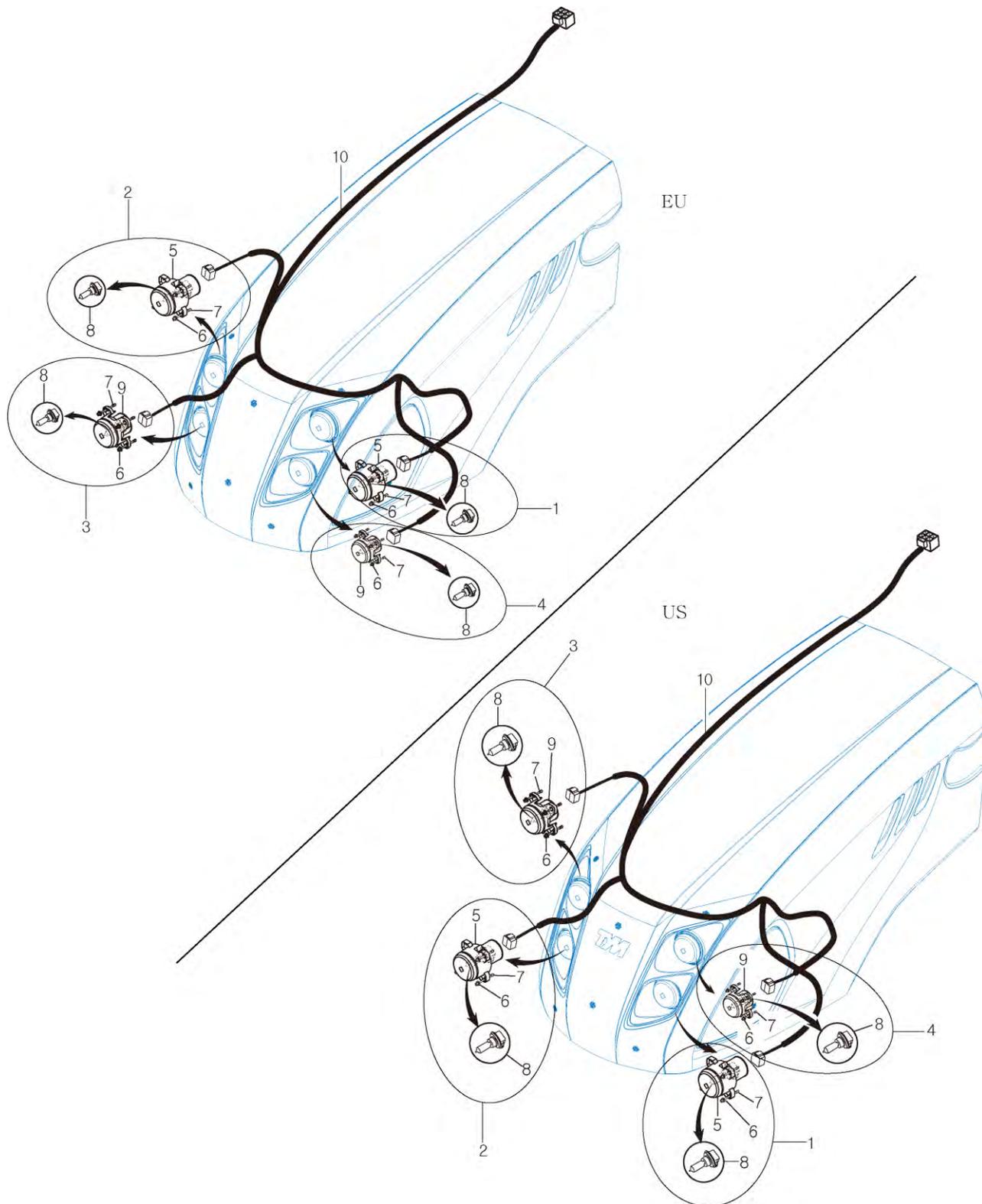
P1

Year

2015



T654



NOTE

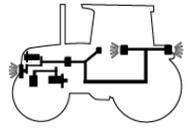
FIG 804

INSTRUMENT PANEL

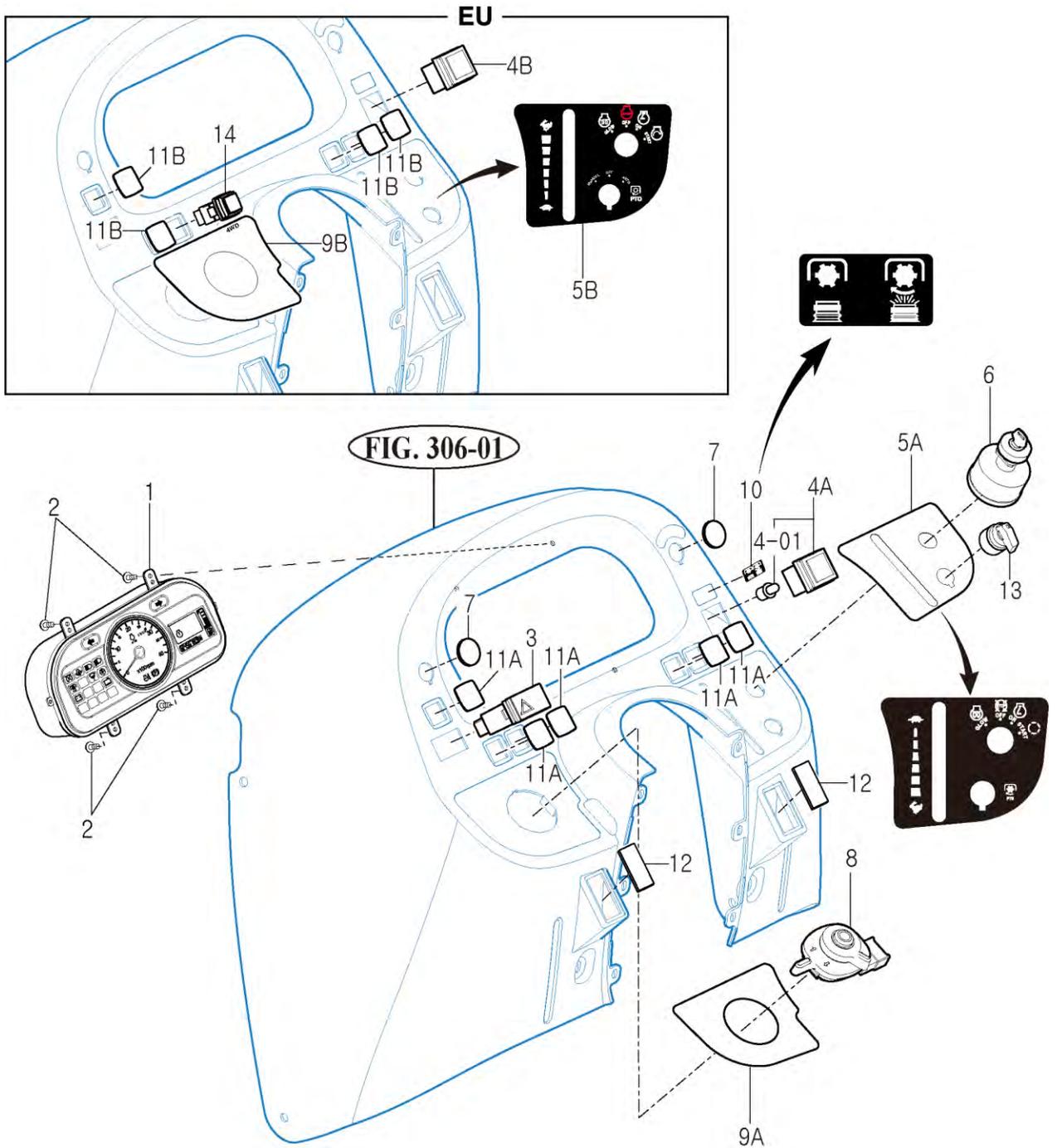
P1

Year

2015

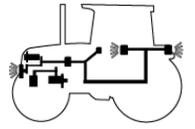


T654



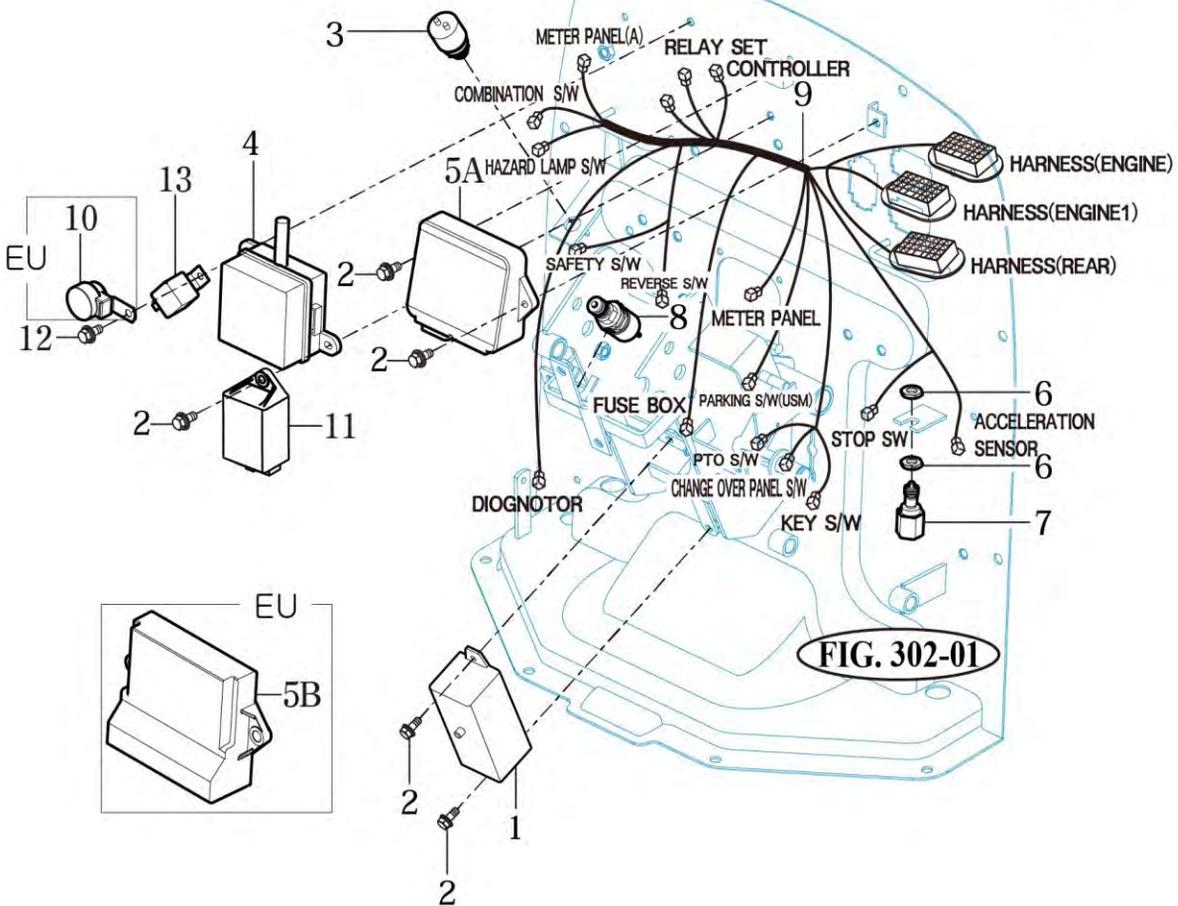
T754-K-804

NOTE



T654

Forward



T754-K-805

NOTE

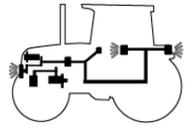
FIG 806

ELECTRIC SYSTEM (2)

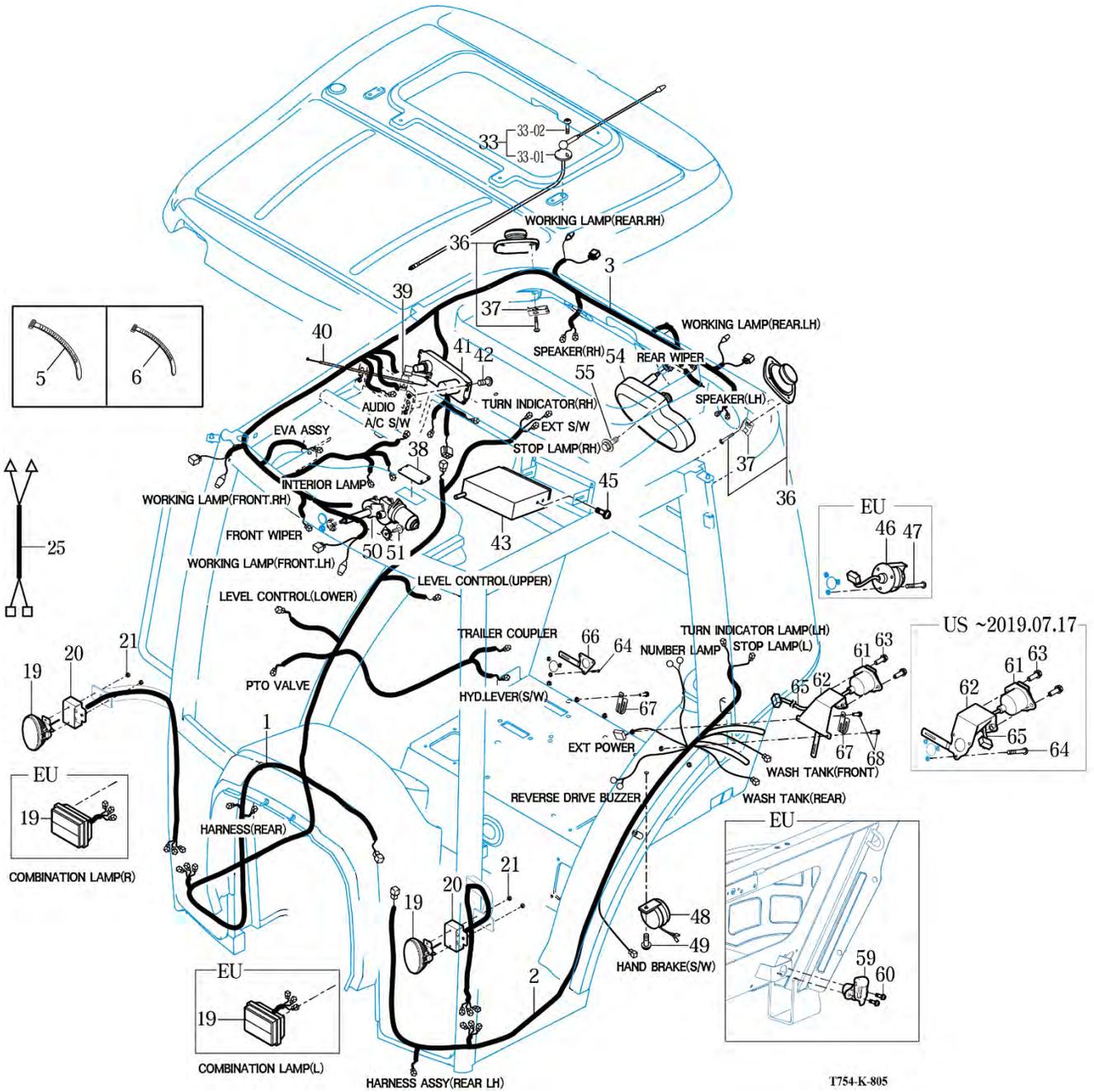
P1

Year

2015



T654



US ~2019.07.17

T754-K-805

NOTE

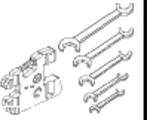
FIG 901

TOOL & ACCESSORY

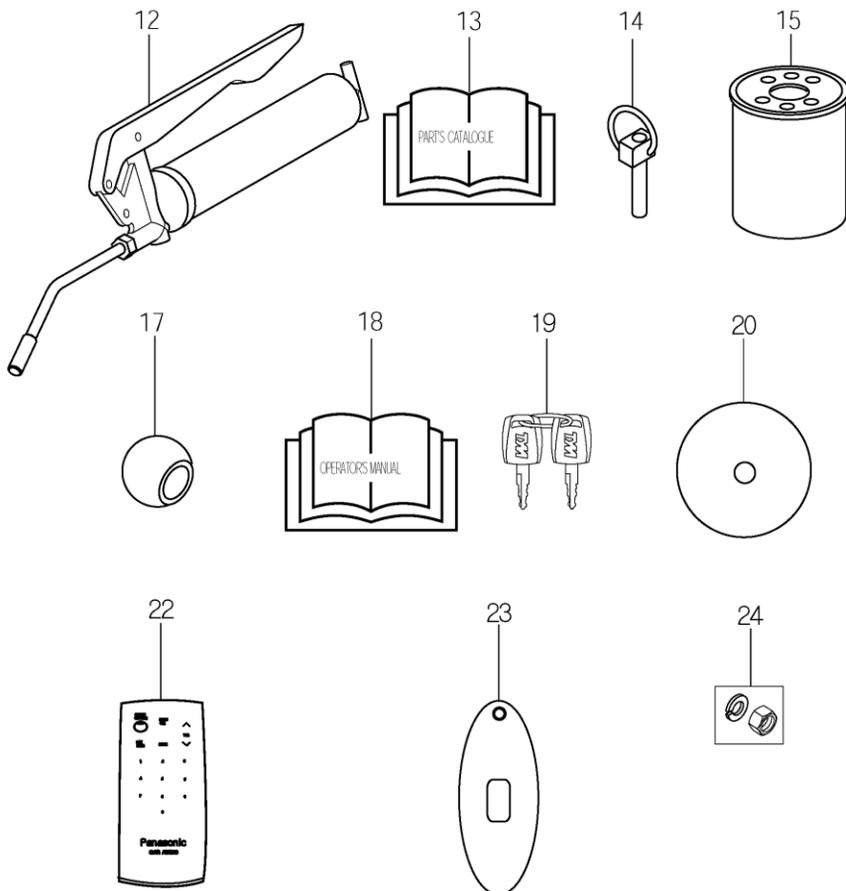
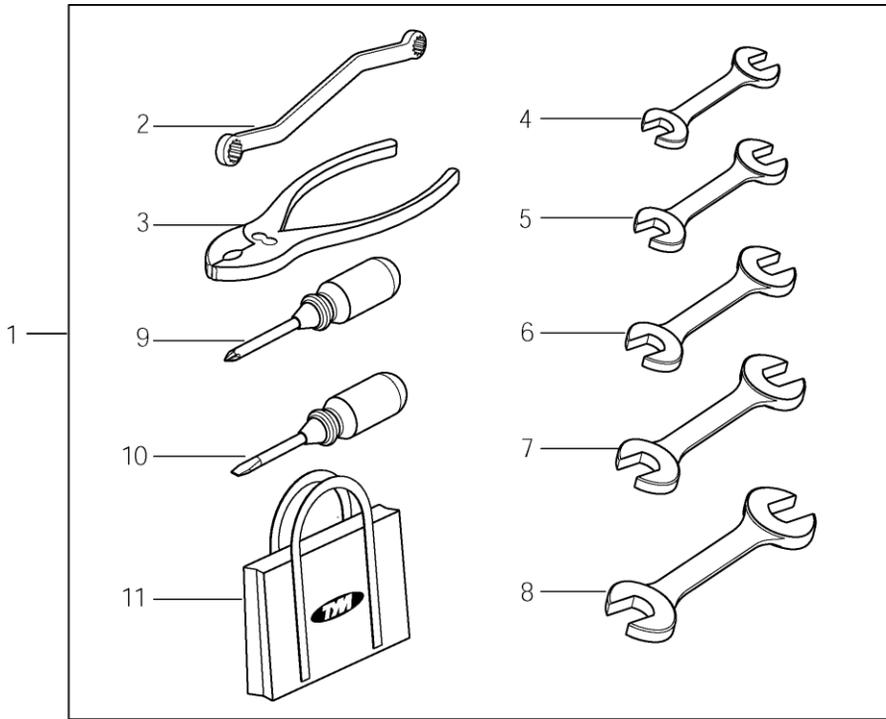
P1

Year

2015

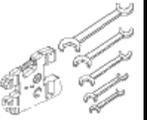


T654



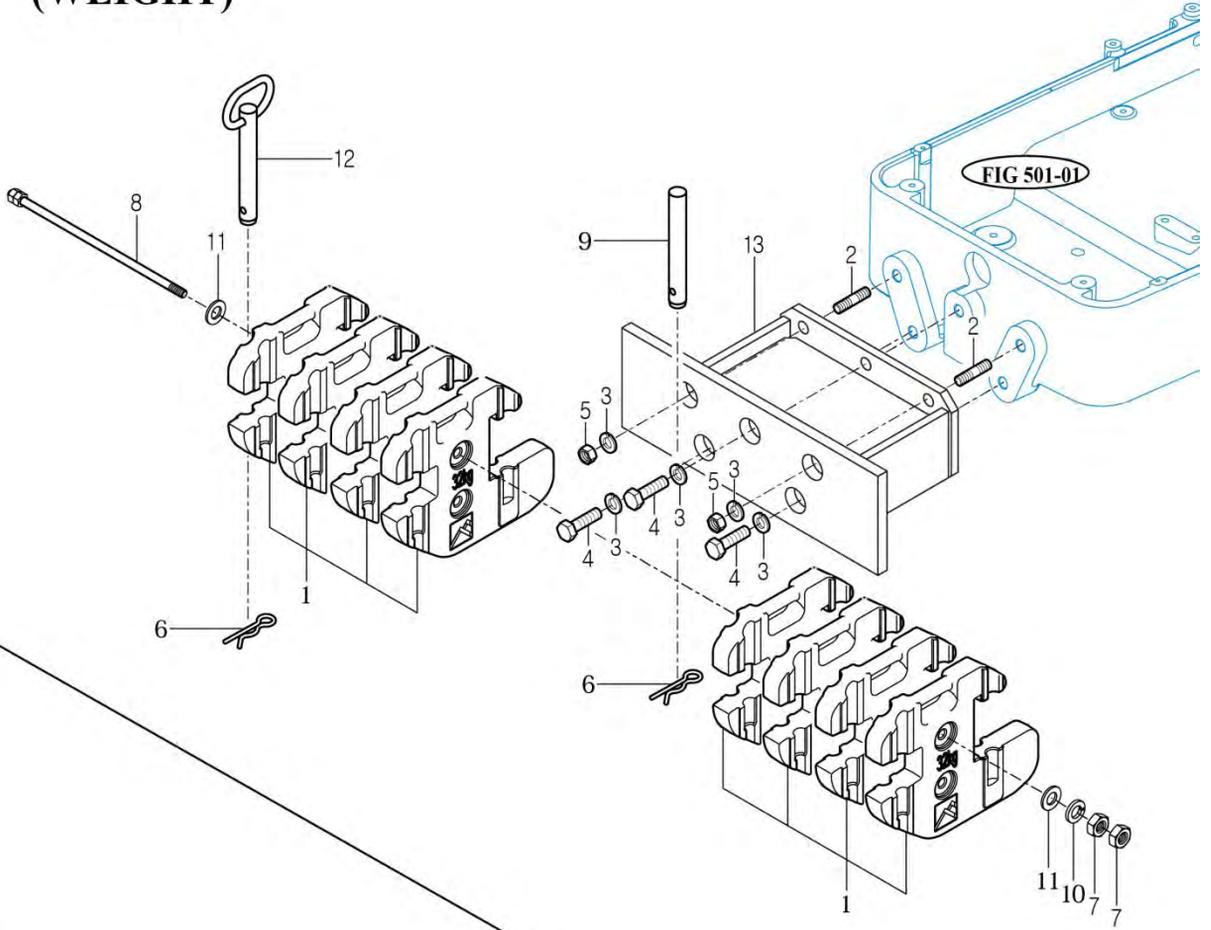
T754-E-901

NOTE

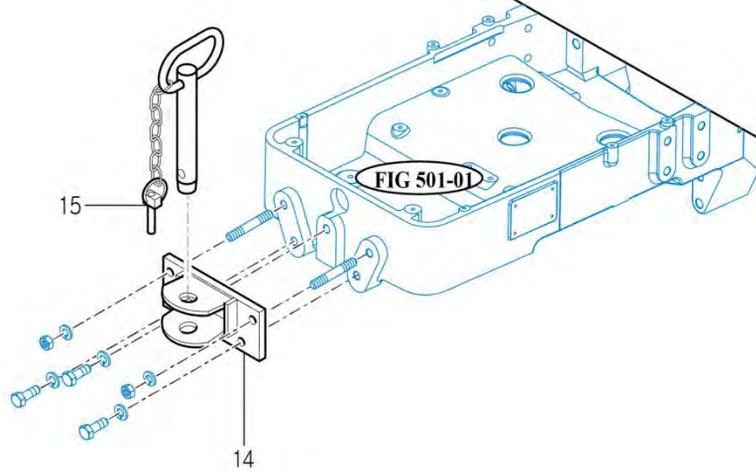


T654

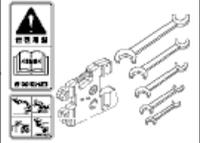
(WEIGHT)



(TOWING HOOK)



NOTE



T654

Inner/Outer air Ventilation

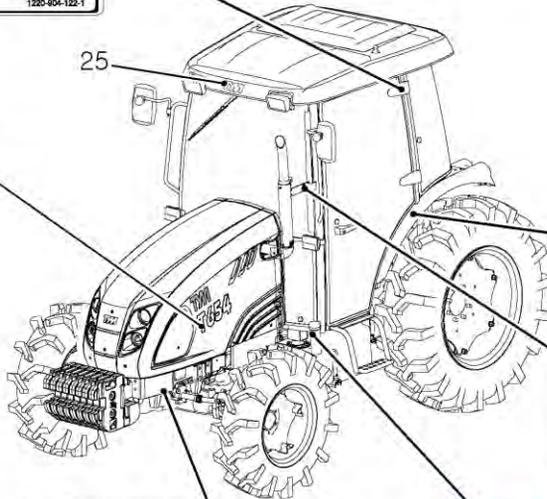
- When grills of rear and both sides are opened, inner air will ventilate in.
- For effective use, open it when operate heater or air conditioner and close when ventilate fresh air.

1220-904-122-1

18

25

T654
51



⚠ DANGER

Do not ride except operator.

1220-910-018-0

6

⚠ CAUTION

Do not touch while the system is hot. It cause serious burns.

1220-910-024-0

33

TVM

MODEL: _____

TYPE: _____

ENGINE: _____

SERIAL NO.: _____

MANUFACTURER: TONG YANG MOOLSAN CO.,LTD

ADDRESS: SONGHONG DONGNINH GISELLUKTER

TEL: 82-2-3014-2800

32B

TONGYANGMOOLSAN CO.,LTD.

VIN Number: _____

EU Type-Approval Number: _____

Category: _____

Axis: _____

12-1	12-2	12-3	12-4
12-5	12-6	12-7	12-8
12-9	12-10	12-11	12-12
12-13	12-14	12-15	12-16

32A

⚠ WARNING

Do not refuel the tractor while smoking or near naked flame or sparks. always stop engine before refueling tractors.

1220-910-005-0

17



87

⚠ WARNING

Do not remove radiator cap while engine is hot. Hot steam will injure you.

1220-910-015-0

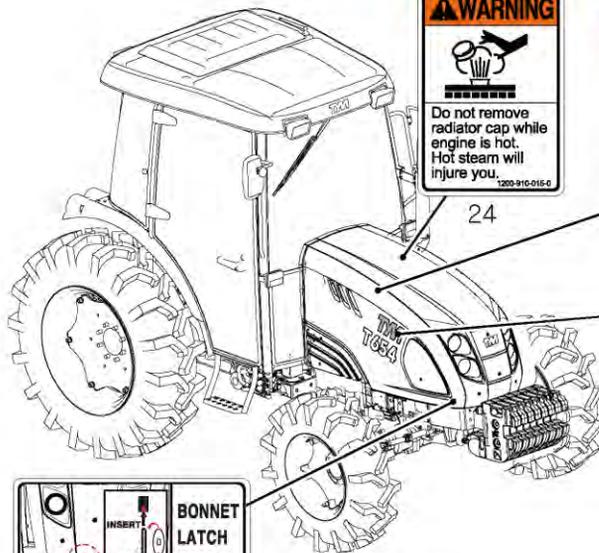
24

⚠ CAUTION

Keep hands and clothing away from rotating fan and belts to prevent serious injury.

1220-910-012-0

23

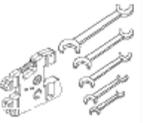


52

BONNET LATCH OPEN

121-901-002-0

88



T654

SPEED TABLES

APPLICATION	TRACTOR	NOTES	FIELD	ROAD	HAUL
1	2	3	4	5	6
SPEED	0	1	2	3	4
100 RPM	0	1	2	3	4
200 RPM	0	1	2	3	4
300 RPM	0	1	2	3	4
400 RPM	0	1	2	3	4
500 RPM	0	1	2	3	4
600 RPM	0	1	2	3	4
700 RPM	0	1	2	3	4
800 RPM	0	1	2	3	4
900 RPM	0	1	2	3	4
1000 RPM	0	1	2	3	4

* Use 1 gear for maximum torque and 2 gears for a constant speed.
 * The time required for the tractor to reach a certain speed is affected by the weight and the resistance of the tractor.

WARNING

Work in ventilated Area.

1200-910-025-0

DANGER

Periodic ventilation should be made to avoid suffocation while heating an air conditioning is used. Sleeping in the cab is prohibited.

1200-910-010-0

WARNING

Always fasten Your seat belt.

1200-910-018-0

WARNING

Operator's manual

1200-910-020-0

WARNING

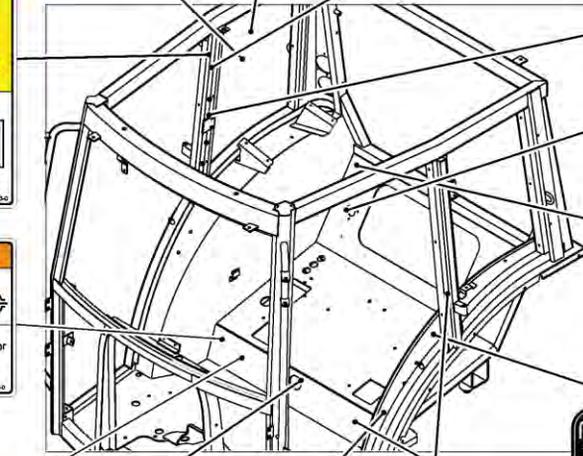
Never use the diff-lock at high speed or on the road as this can cause rollover and injury.

1200-910-028-0

WARNING

Always set the knob to lock when:
 1. Traveling on the road.
 2. Reversing blades on an implement.
 3. Making adjustment to an implement.
 Sudden dropping of an implement can cause serious injury or death.

1200-910-029-0



CAUTION Remote hydraulic valve instruments

REMOTE VALVE: "H" (Holding Select) TYPE
 * Always select "NEUTRAL" before starting the engine.
 * Always select "NEUTRAL" after completing the hydraulic operation.

REMOTE VALVE: "C" (Creep Select) TYPE
 * Always select "NEUTRAL" before starting the engine.
 * Always select "NEUTRAL" after completing the hydraulic operation.

Remote valve couplers Remote control levers

1200-910-019-0

WARNING

Creep speed Operation!Warning

Don't use creep speed as shown below works:
 1) Tree loads 2) Front loader 3) Blade work 4) Civil Engineering work 5) In & out the jobsite 6) Heavy industry

Brake engagement at creep speed.
 1) Be sure to depress clutch pedal before depress brake pedal.
 2) Don't depress brake strongly as short reduction ratio of creep speed is very high and high torque.

Front wheel drive shift lever Creep speed shift lever

ON OFF ON OFF

1200-910-030-0

WARNING

Always set the knob to lock when:
 1. Traveling on the road.
 2. Reversing blades on an implement.
 3. Making adjustment to an implement.
 Sudden dropping of an implement can cause serious injury or death.

1200-910-029-0

WARNING

Always apply the park brake when parking. Failure to do so can cause accidents and damages.

1200-910-021-0

WARNING

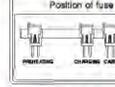
Do not use the sub shift lever at "H" position when driving backward.

1200-910-021-0

1000
750
540

1000
750
540

82A 82



WARNING

1. DO NOT OPEN THE RADIATOR CAP. HOT STEAM WILL INJURE YOU.
 2. REPLACEMENT OF THE COOLANT SHOULD BE DONE IN THE AUXILIARY TANK.

1200-910-024-0

EPA REGULATION

USE ULTRA LOW SULFUR FUEL ONLY

1200-910-025-0

CAUTION

Always place the transmission in neutral and apply the brake while the tractor is in standstill position. Failure to do so can cause accidents and damages.

1200-910-025-0

DANGER

Rotating driveline contact can cause death. KEEP AWAY! Keep all drive lines, tractor and equipment shields in place during operation.

1200-910-026-0

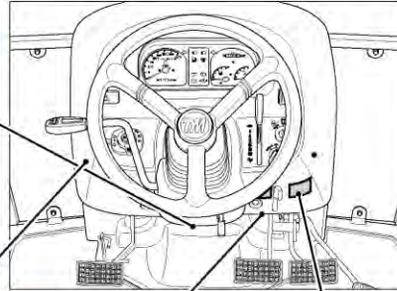
WARNING

1200-910-027-0

WARNING

Do not adjust the tilt handle when traveling.

1200-910-028-0



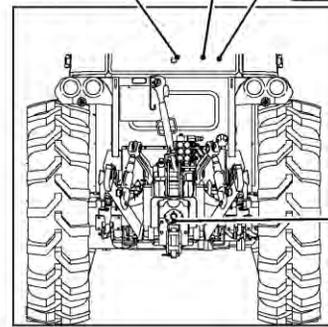
WARNING

Attach implements and trailers to the tractor only using the prescribed draw-bar or hitch.

1200-910-029-0

WARNING

1200-910-030-0



TONGYANGMOOLSAN CO., LTD

TYPE : T-C03

e13

00057 NS

T : 19 ton/hae
 S : 19000 kg

1200-910-031-0

WARNING

Start engine only from operator seat. If safety start switch is by peased engine can start with transmission in gear.
 Do not connect or short across terminal on starter solenoid.
 Attach booster cables as shown on battery decal and operators manual.

Starting in gear causing runaway can result in serious injury.

1200-910-032-0

WARNING

Do not use the accelerator lever on the field.

1200-910-033-0

WARNING

Brake pedals must always be locked together when traveling on the highway. This will grant uniform braking and provide maximum stopping ability sharp turns must only be made at slow speeds.

1200-910-034-0