

F50CHN_EU_FL(AC02151) TRACTOR

Parts Catalogue



CONTENTS

GROUP NO	GROUP NAME	PAGE
G. ENGINE		
A01_007	CYLINDER BLOCK	6
A02_005	DRIVE PULLY	8
A03_004	CRANK SHAFT PULLEY	10
A04_005	GLOW PLUG ASS'Y OPTION	12
A05_005	CRANK SHAFT ASS'Y OPTION	14
A06_004	BREATHER OPTION	16
A07_005	CAMSHAFT	18
A08_006	ALTERNATOR	20
A09_007	COOLING WATER PUMP	22
A10_010	COOLING FAN SPACER	24
A11_007	INJECTOR	26
A12_017	FUEL INJECTON	28
A13_005	PLUMBING, FUEL	30
A14_003	FUEL FILTER BRACKET	33
A16_018	FUEL FILTER ASS'Y OPTION	35
A17_012	INTAKE MANIFOLD ASS'Y OPTION	37
A18_011	FLYWHEEL	39
A19_007	FLYWHEEL HOUSING	41
A20_010	HEAD, CYLINDER	43
A21_004	HEAD COVER	45
A23_009	TURBOCHARGER SUPPORT ASS'Y OPTION	47
A25_002	OIL JET ASS'Y OPTION	49
A26_005	COOLER, ENGINE OIL	51
A27_005	OIL PAN ASS'Y OPTION	53
A28_001	PUMP, LUBRICATING OIL	55
A29_005	FILTER, LUBRICATING OIL	57
A30_003	FRONT GEAR ACCESSORY DRIVE	59
A31_007	PISTON	61
A32_003	LEVER, LOCKER	63
A33_013	EXHAUST MANIFOLD	65
A35_002	IDLE GEAR	67
A36_004	COVER, FRONT GEAR	69
A37_001	BALANCE ASS'Y	71
A38_009	GAUGE, OIL LEVEL	73

CONTENTS

GROUP NO	GROUP NAME	PAGE
G. ENGINE		
A39_001	OIL FILLER CAP	75
A40_003	LIFT ASS'Y OPTION	77
A41_001	COMP,DRIVE PULLEY ASS'Y OPTION	79
A42_003	MOTER, STARTIONS	81
A43_001	DPF SUPPORT OPTION	83
A44_006	DPF MOUNTING OPTION	85
A45_001	DPF	87
A48_006	V-BELT	89
B. ENGINE ACCESSORIES		
B01010	FUEL TANK	91
B02020B	RADIATOR	93
B03010A	AIR CLEANER	95
B05011	LEVER ACCELERATOR	97
C. CLUTCH, BREAK, LEVER		
C02000	BRAKE	99
C02010	BRAKE PEDAL	101
C02050	PARKING BRAKE	104
C03010	HYD SHIFT TRANSMISSION PEDAL	106
C04040	DIFFERENTIAL	109
D. HYDRAULIC		
D01010B	HYD PUMP	111
D01020A	LOW PRESSURE PIPE	113
D01040	HYD FILTER	115
D02010	STEERING COLUMN	117
D02030	P.S.T HOSE	119
D02040A	P.S.T CYLINDER	121
D03010	OIL COOLER	123
E. FRONT AXLE		
E01010A	FRONT AXLE CASE	125
E01013	SPACER	127
E01030A	GEAR CASE, FRONT AXLE	129
E01070A	FRONT DRIVE SHAFT	132
E01080A	TIE ROAD	134
F. TRANSMISSION		

CONTENTS

GROUP NO	GROUP NAME	PAGE
F. TRANSMISSION		
F01010	CLUTCH HOUSING	136
F01020	TRANSMISSION CASE	138
F01030	REAR AXLE HOUSING	140
F01050	HYD SHIFT TRANSMISSION HOUSING	143
F03040	RANGE SHIFT GEAR	145
F04010	FORNT DRIVE SHAFT	147
F05020	RING GEAR&DIFF.GEAR ASS'Y	149
F05020	RING GEAR&DIFF.GEAR ASS'Y	151
F07030	PTO DRIVE SHAFT	153
F07070	MAIN P.T.O SHAFT	155
F08060	FORK & LEVER, PTO	157
F10010	CASE, HYD CYLINDER	159
F10020	LIFT ARM	161
F10030	SAFETY VALVE	163
F10040	STOP VALVE	165
F10061	DRAFT/POSITION CONTROL LEVER	167
F10063	DRAFT CONTROL LEVER	169
F10064	POSITION CONTROL LEVER	171
F10120	REAR SCV	173
F11020	LEVER ASS'Y, RANGE SHIFT	176
F11080	4WD LEVER	178
G. SHEET METAL, CABIN		
G01020	BONNET	180
G01021	BONNET URETHANE	182
G01040	LOCKING ASS'Y, BONNET	184
G01060A	FIXED BRACKET, BONNET	186
G01080	FRONT AXLE BRACKET	188
G02010-A	CABIN FRAME ASS'Y	190
G02010-B	CABIN FRAME ASS'Y	192
G02011	PILLAR COVER ASS'Y	194
G02020	DASHBOARD	196
G02030	SIDE MIRROR ASS'Y	198
G02050_J	DOOR ASS'Y	200
G02050_W	DOOR ASS'Y	203

CONTENTS

GROUP NO	GROUP NAME	PAGE
G. SHEET METAL, CABIN		
G02071	FRONT WINDOW ASS'Y	205
G02072	REAR WINDOWS ASS'Y	207
G02131	ROOF(OUTER)	209
G02132	ROOF/INNER	211
G02140	DRIVER'S SEAT	213
G02180	FENDER COVER	215
G02190	FENDER	217
G03010	A/C ASS'Y, CABIN	219
G03020	A/C DUCT ASS'Y	221
G03091B	COMPRESSOR	223
G03092A	TENSION PULLY	225
G05020	TOP LINK, LIFT LINK	227
G05030	LOWER LINK	229
G05070	DRAWBAR HITCH	231
H. ELECTRICALS, HARNESS		
H01030	BATTERY	233
H03000	HARNES	235
H04050	SWITCH	237
I. WEIGHT, TOOLS, TIRE		
I03000A	NAME PLATE	239
I03060	NUMBER PALTE ASS'Y	241
I05000	TIRE	243

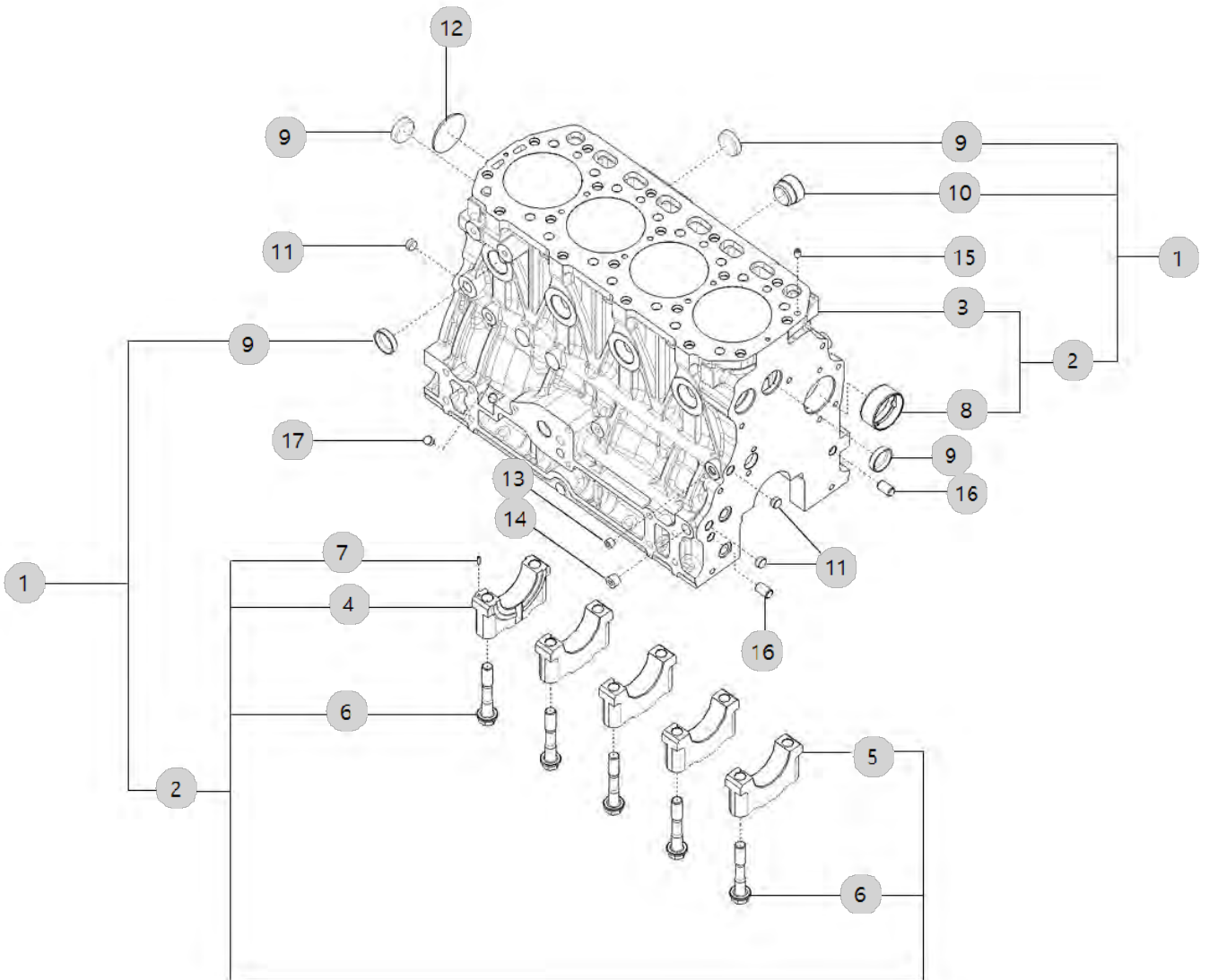
A01_007

A2300N4-ETC_5
(AB00331)

CYLINDER BLOCK

Year/Month

2023-01-18



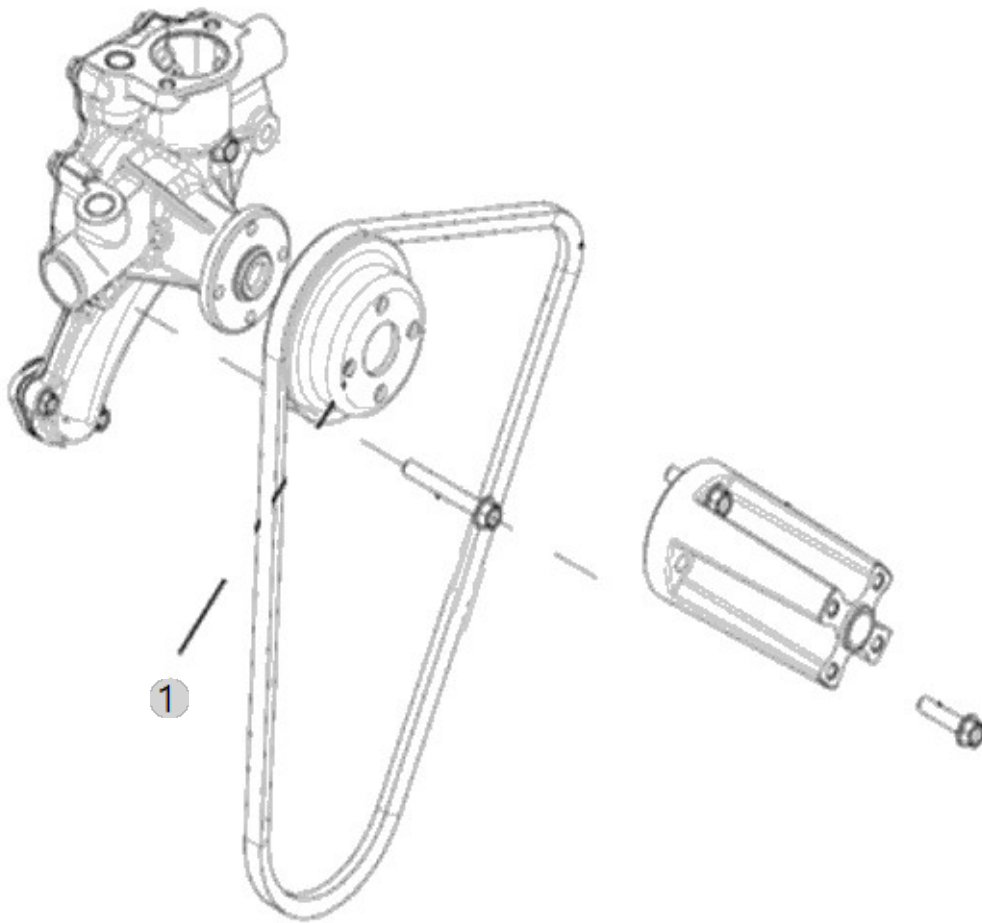
A02_005

A2300N4-ETC_5
(AB00331)

DRIVE PULLEY

Year/Month

2023-01-18



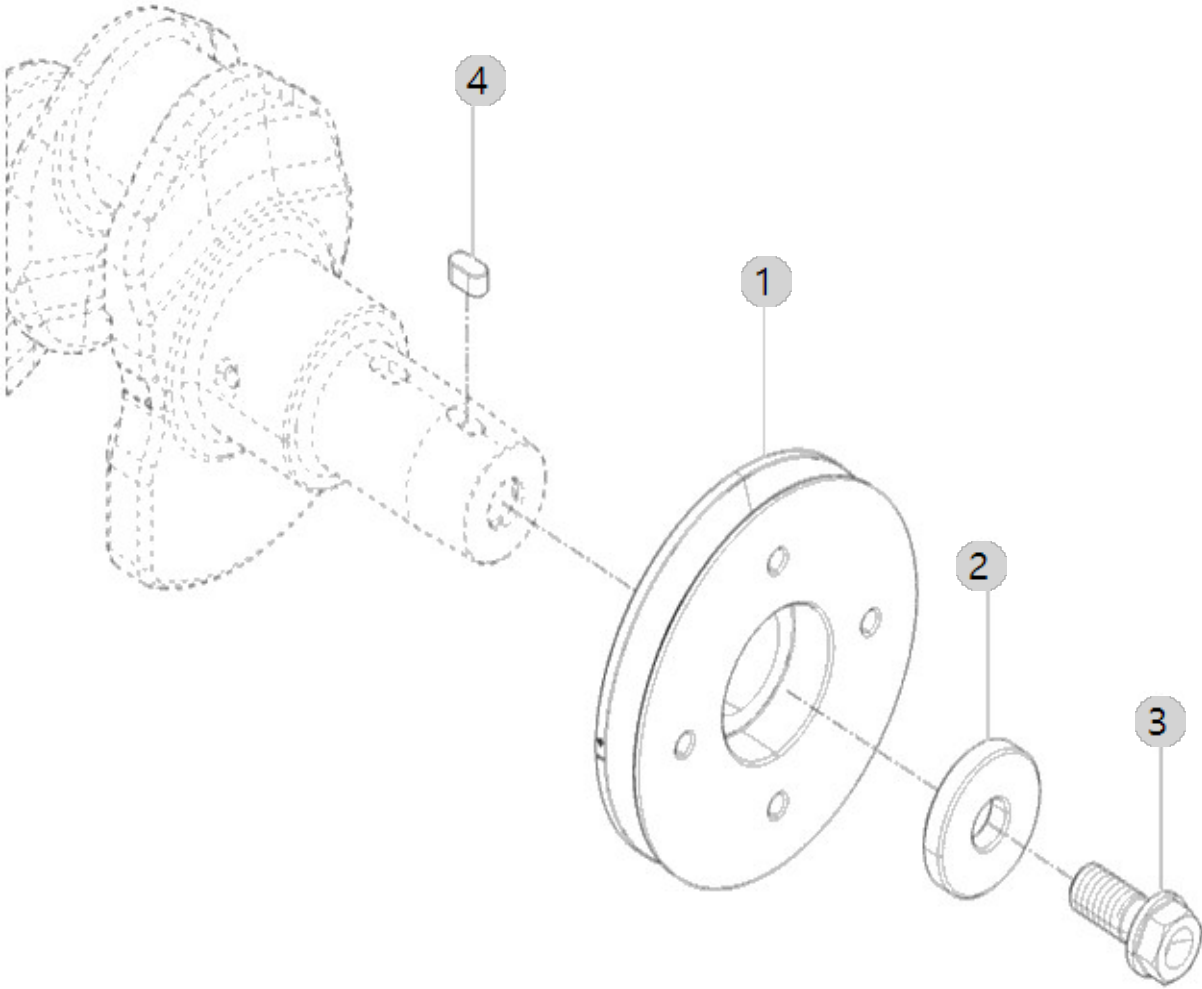
A03_004

A2300N4-ETC_5
(AB00331)

CRANK SHAFT PULLEY

Year/Month

2023-01-18



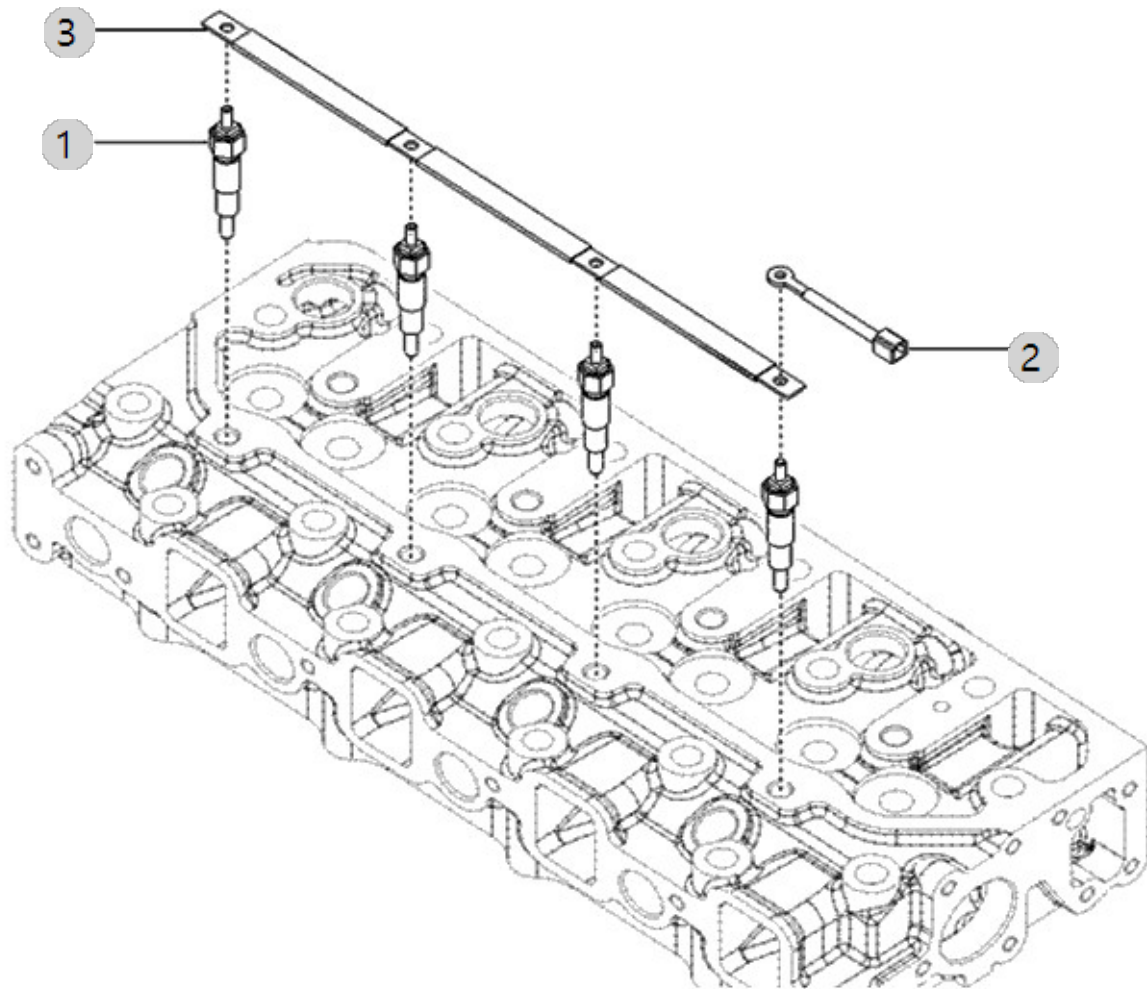
A04_005

A2300N4-ETC_5
(AB00331)

GLOW PLUG ASS'Y OPTION

Year/Month

2023-01-18



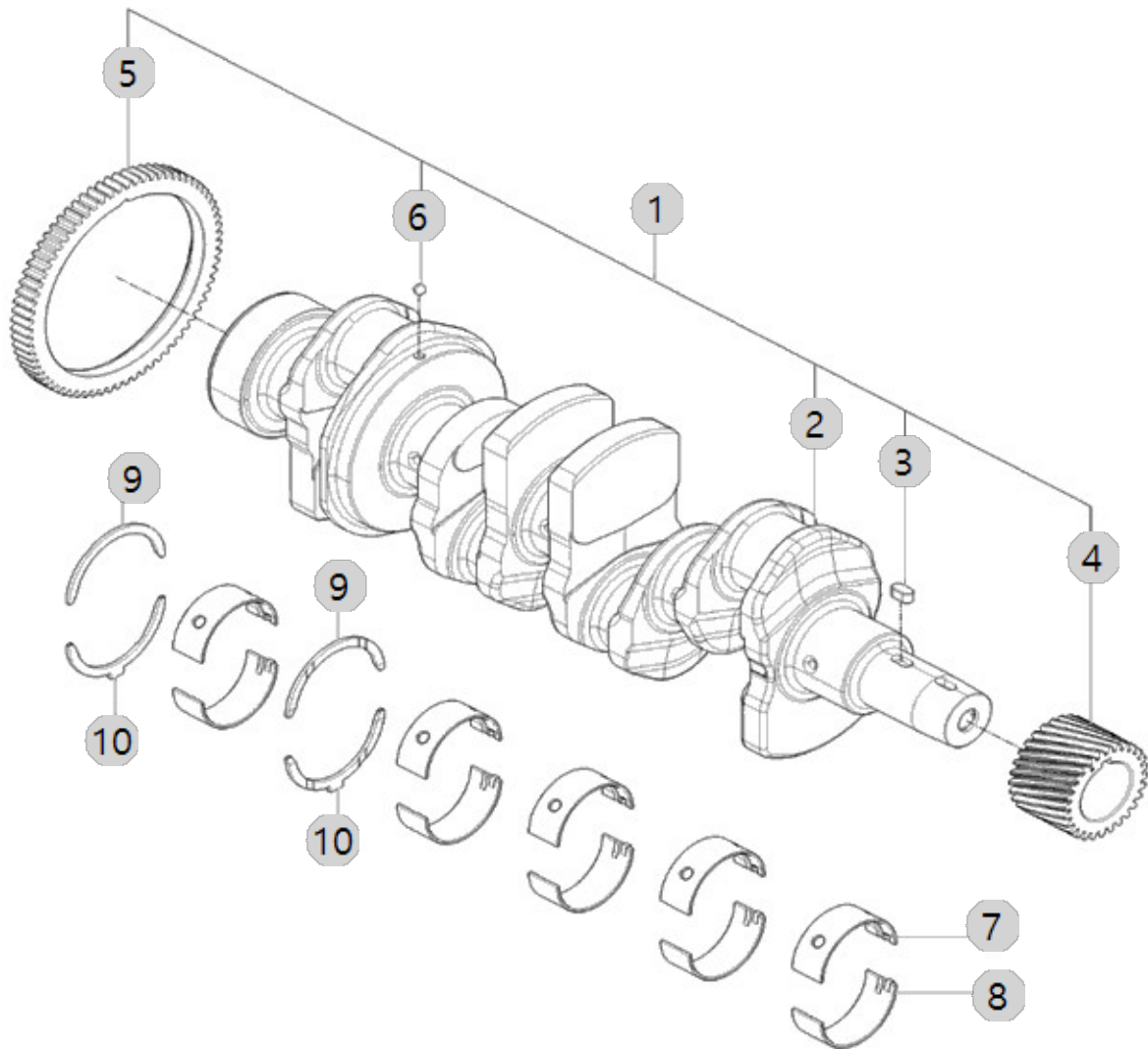
A05_005

A2300N4-ETC_5
(AB00331)

CRANK SHAFT ASS'Y OPTION

Year/Month

2023-01-18



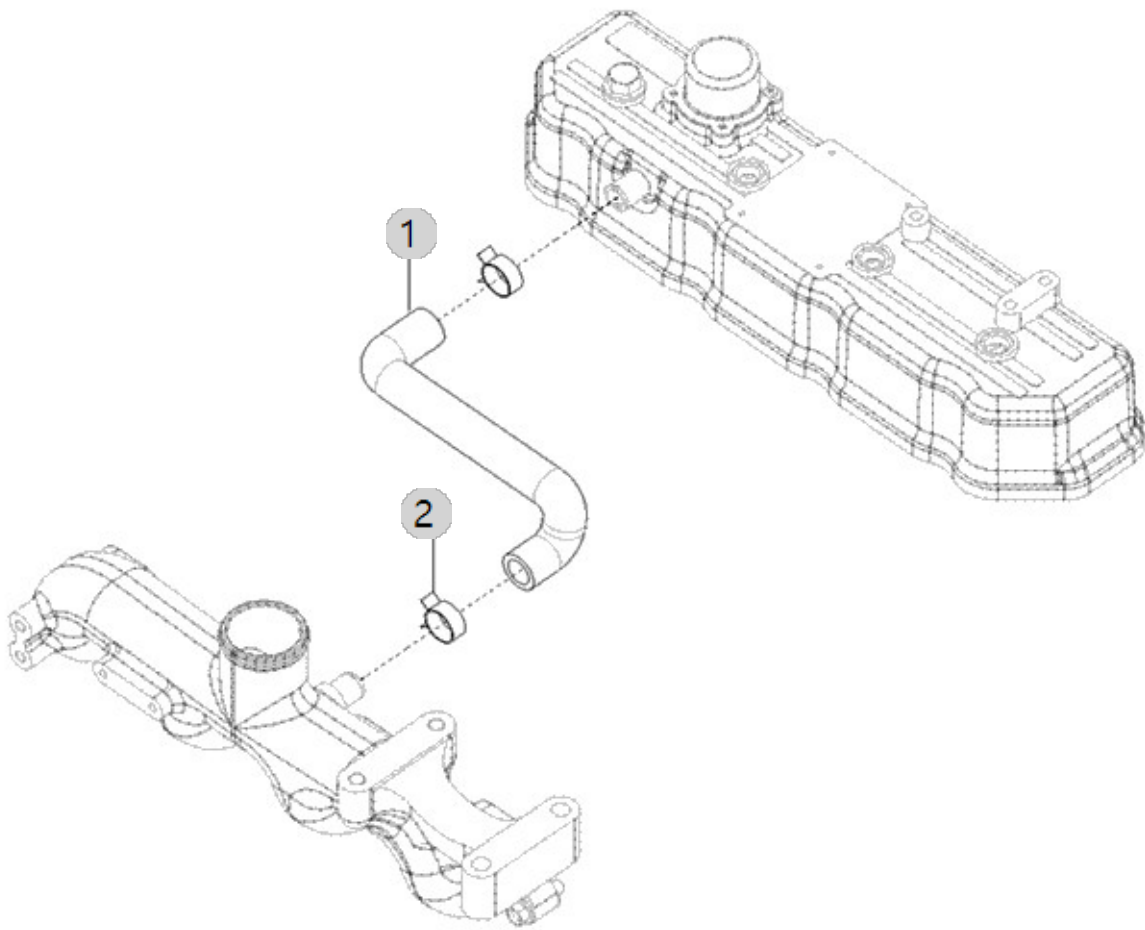
A06_004

A2300N4-ETC_5
(AB00331)

BREATHER OPTION

Year/Month

2023-01-18



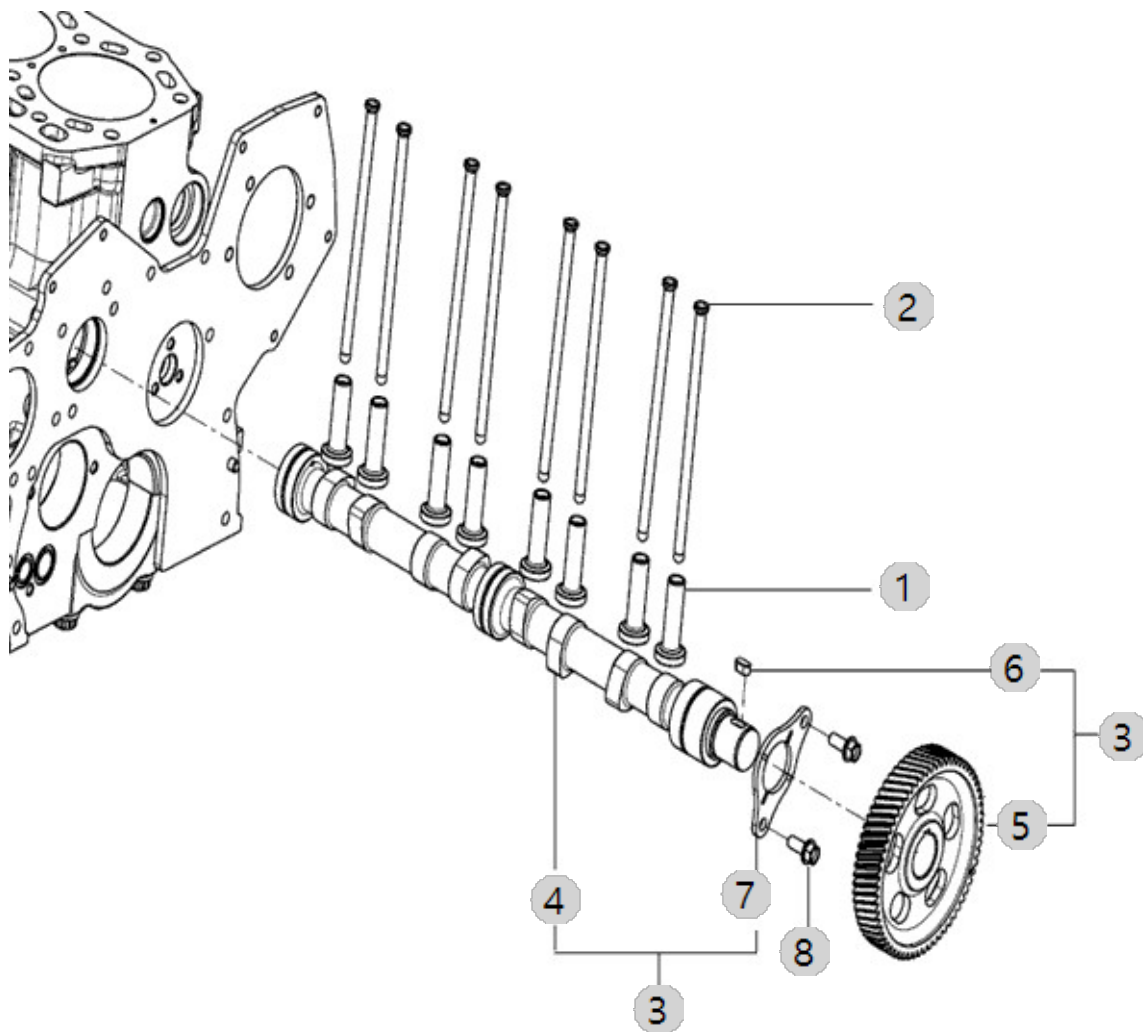
A07_005

A2300N4-ETC_5
(AB00331)

CAMSHAFT

Year/Month

2023-01-18



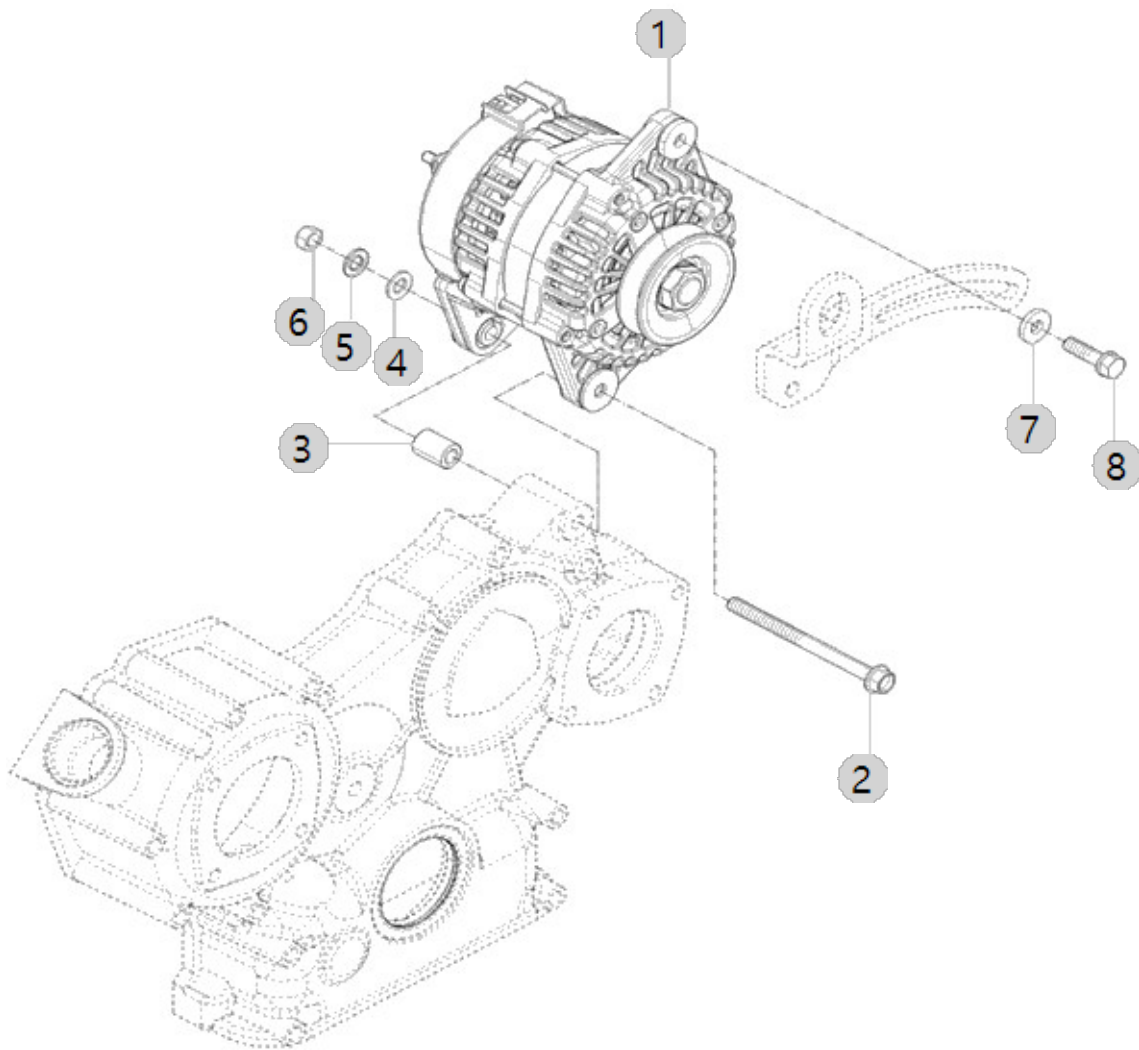
A08_006

A2300N4-ETC_5
(AB00331)

ALTERNATOR

Year/Month

2023-01-18



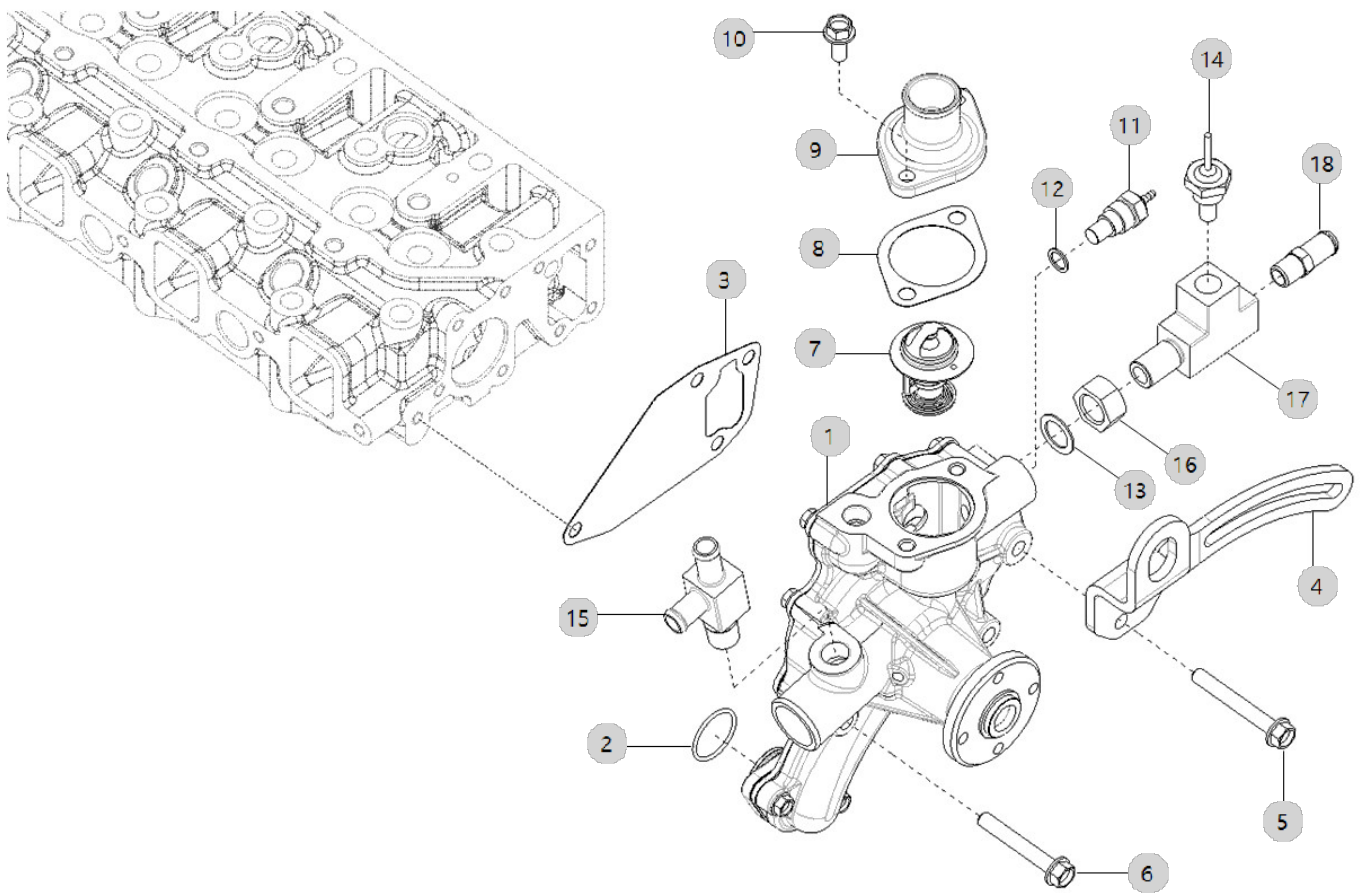
A09_007

A2300N4-ETC_5
(AB00331)

COOLING WATER PUMP

Year/Month

2023-01-18



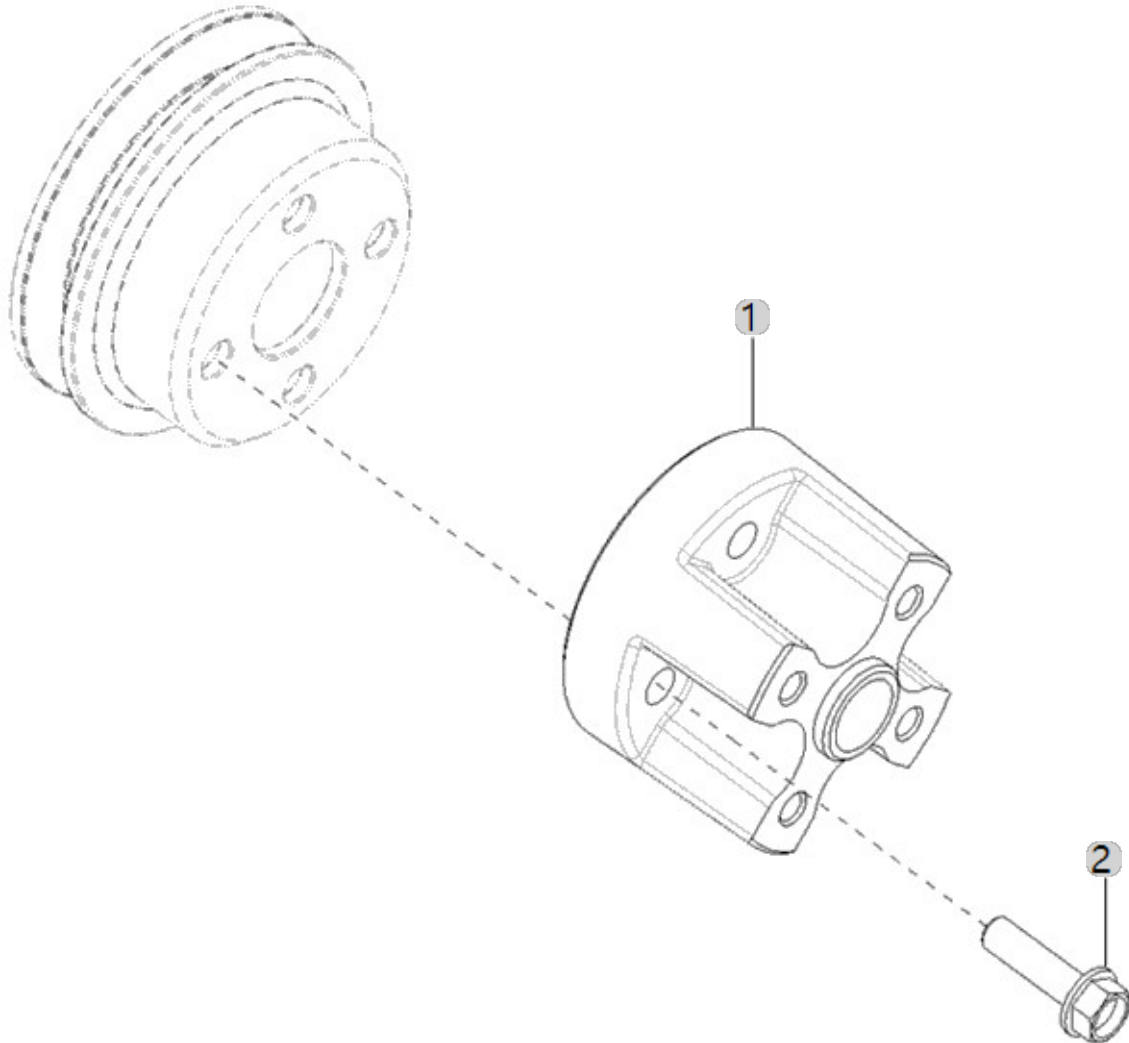
A10_010

A2300N4-ETC_5
(AB00331)

COOLING FAN SPACER

Year/Month

2023-01-18



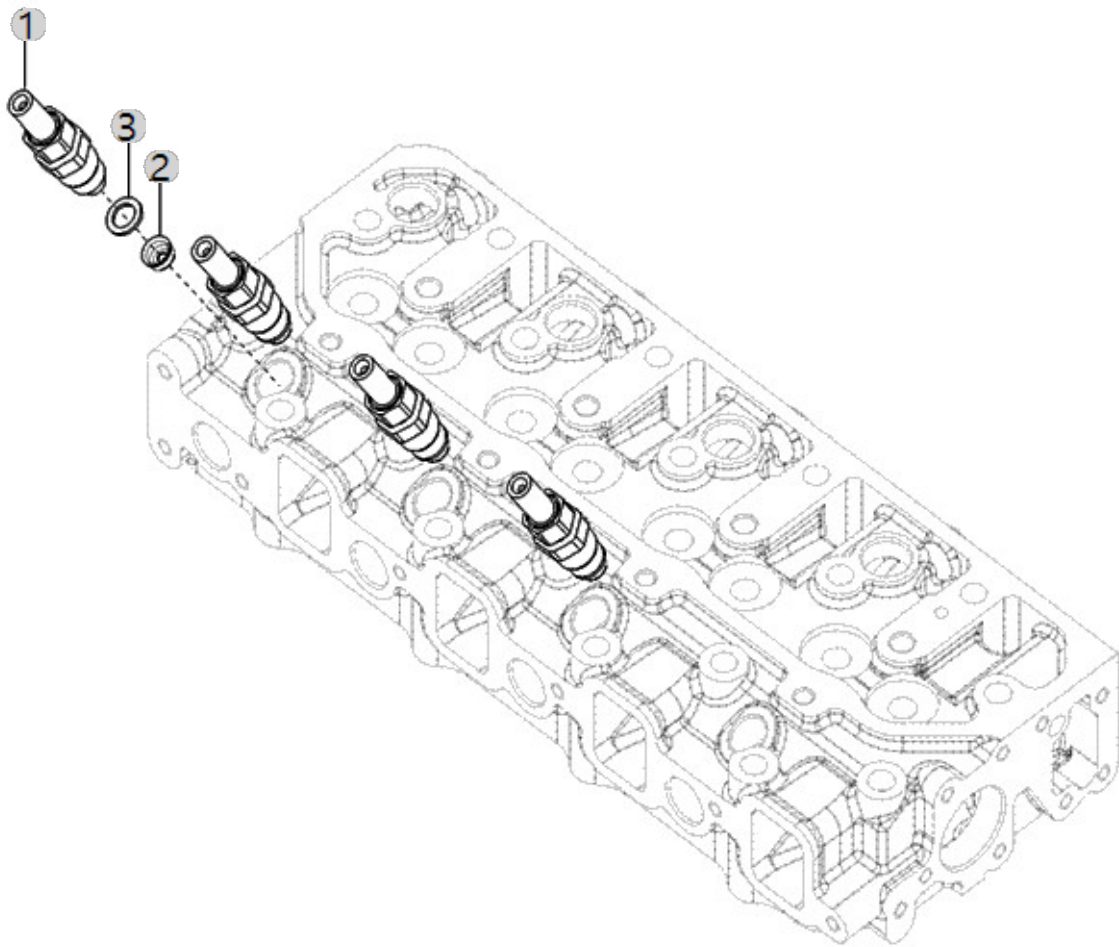
A11_007

A2300N4-ETC_5
(AB00331)

INJECTOR

Year/Month

2023-01-18



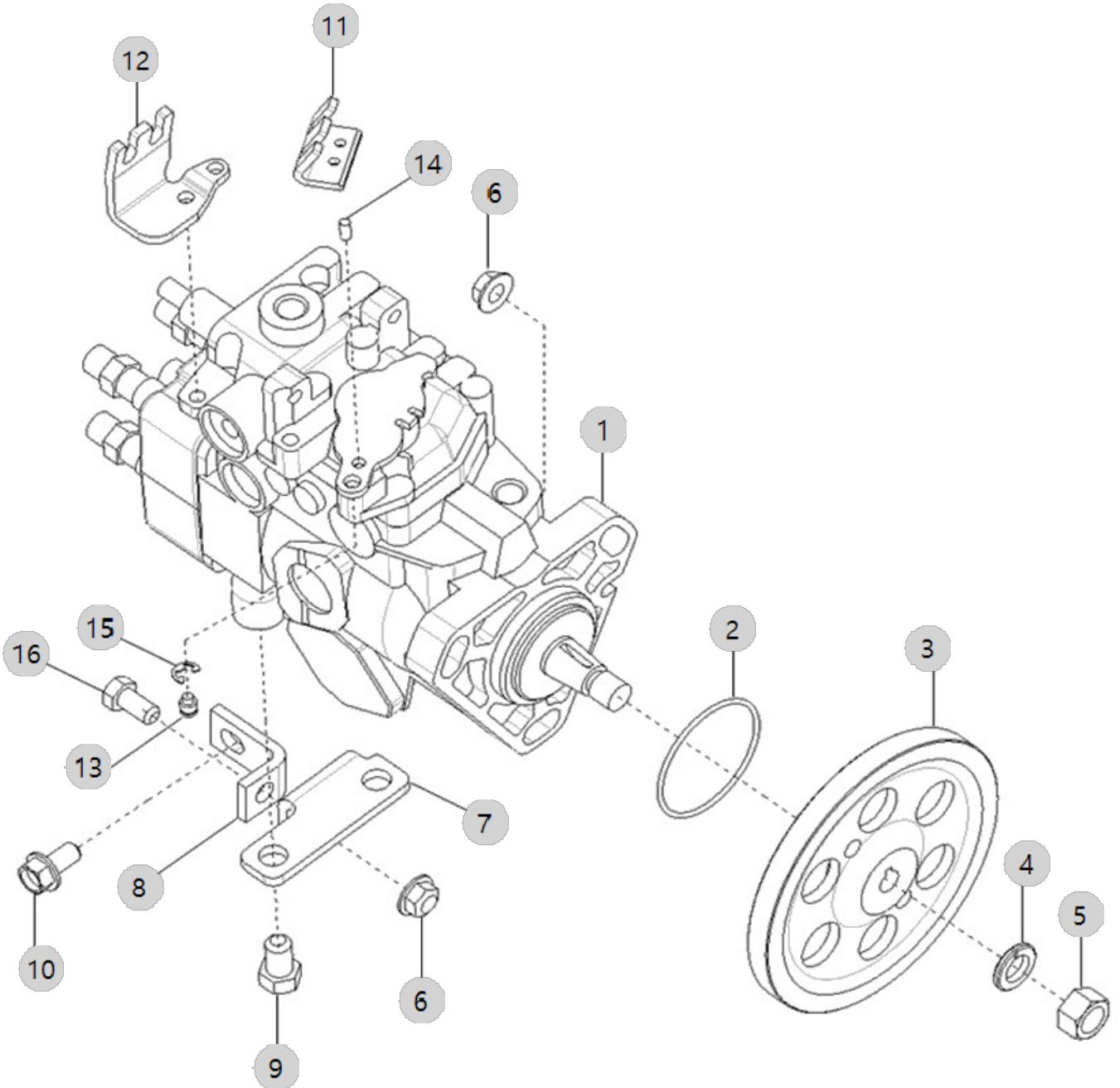
A12_017

A2300N4-ETC_5
(AB00331)

FUEL INJECTOR

Year/Month

2023-01-18



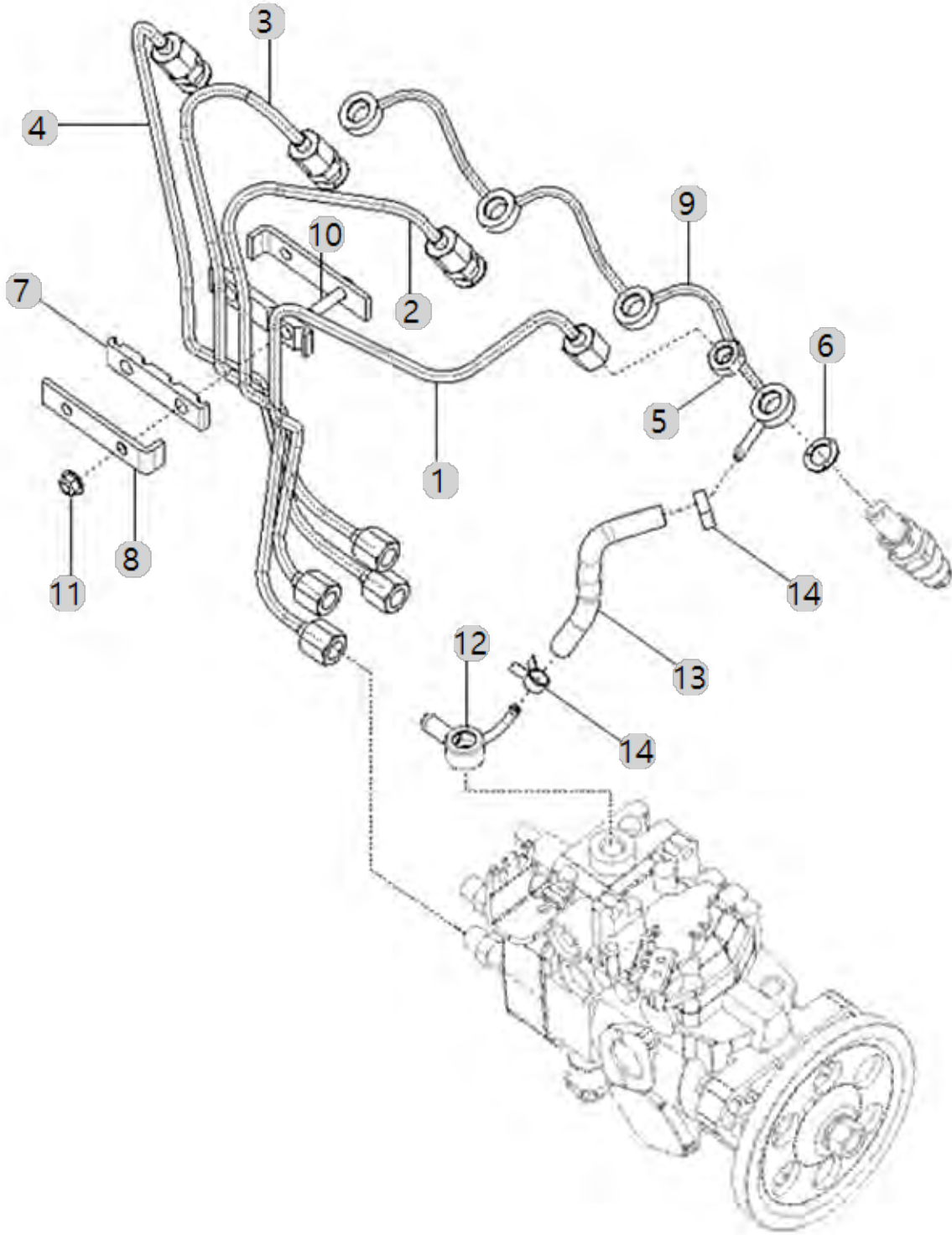
A13_005

A2300N4-ETC_5
(AB00331)

PLUMBING, FUEL

Year/Month

2023-01-18



A13_005 A2300N4-ETC_5 (AB00331)		PLUMBING, FUEL				Year/Month 2023-01-18
순번 (NO)	부품번호 (PART NO)	품명 (PART NAME)	품명 (PART NAME)	수량 (QTY)	규격 (SPEC)	비고 (REMARK)
1	HRA150050DB0	299,A202322,연료파이프조합(A)	PIPE ASSY, FUEL SUPPLY A	1		
1	HRA150050DB0	299,A202322,연료파이프조합(A)	PIPE ASSY, FUEL SUPPLY A	1		
1	HRA150050DC0	연료파이프조합(A)	TUBE,INJECTOR FUEL SUPPLY	1		
1	HRA150050DB0	299,A202322,연료파이프조합(A)	PIPE ASSY, FUEL SUPPLY A	1		
2	HRA150060DB0	300,A202322,연료파이프조합(B)	PIPE ASSY, FUEL SUPPLY (B)	1		
2	HRA150060DC0	연료파이프조합(B)	TUBE,INJECTOR FUEL SUPPLY	1		
2	HRA150060DB0	300,A202322,연료파이프조합(B)	PIPE ASSY, FUEL SUPPLY (B)	1		
2	HRA150060DB0	300,A202322,연료파이프조합(B)	PIPE ASSY, FUEL SUPPLY (B)	1		
3	HRA150070DB0	301,A202322,연료파이프조합(C)	PIPE ASSY, FUEL SUUPPLY C	1		
3	HRA150070DC0	연료파이프조합(C)	TUBE,INJECTOR FUEL SUPPLY	1		
3	HRA150070DB0	301,A202322,연료파이프조합(C)	PIPE ASSY, FUEL SUUPPLY C	1		
3	HRA150070DB0	301,A202322,연료파이프조합(C)	PIPE ASSY, FUEL SUUPPLY C	1		
4	HRA150080DC0	연료파이프조합(D)	TUBE,INJECTOR FUEL SUPPLY	1		
4	HRA150080DB0	302,A202322,연료파이프조합(D)	PIPE ASSY, FUEL SUPPLY D	1		
4	HRA150080DB0	302,A202322,연료파이프조합(D)	PIPE ASSY, FUEL SUPPLY D	1		
4	HRA150080DB0	302,A202322,연료파이프조합(D)	PIPE ASSY, FUEL SUPPLY D	1		
5	HK13450000A4	육각고정너트	NUT,REGULARHEXAGON	4	M12X1.5	
5	HK13450000A4	육각고정너트	NUT,REGULARHEXAGON	4	M12X1.5	
5	HK13450000A4	육각고정너트	NUT,REGULARHEXAGON	4	M12X1.5	
5	HK13450000A4	육각고정너트	NUT,REGULARHEXAGON	4	M12X1.5	
6	HK13440000A4	306,ALL,패킹(조인트)(와류실)	GASKET,FUELMANIFOLD	4		
6	HK13440000A4	306,ALL,패킹(조인트)(와류실)	GASKET,FUELMANIFOLD	4		
6	HK13440000A4	306,ALL,패킹(조인트)(와류실)	GASKET,FUELMANIFOLD	4		
6	HK13440000A4	306,ALL,패킹(조인트)(와류실)	GASKET,FUELMANIFOLD	4		
7	HRA1502700A4	462,ALL,브래킷고무	RUBBER,BRACKET	2		
7	HRA1502700A4	462,ALL,브래킷고무	RUBBER,BRACKET	2		
7	HRA1502700A4	462,ALL,브래킷고무	RUBBER,BRACKET	2		
7	HRA1502700A4	462,ALL,브래킷고무	RUBBER,BRACKET	2		
8	HRA1502800A4	브래킷판	CLAMP,TUBE	2	T 3.2	
8	HRA1502800A4	브래킷판	CLAMP,TUBE	1	T 3.2	
8	HRA1502800A4	브래킷판	CLAMP,TUBE	1	T 3.2	
8	HRA1502800A4	브래킷판	CLAMP,TUBE	1	T 3.2	
8	HRA1502800B4	브래킷판	CLAMP,TUBE	2	T 3.2	
9	HRA1500900C3	퇴유파이프조합	PIPE ASSY, FUEL RETURN	1		
9	HRA1500900D3	퇴유파이프조합	PIPE ASSY, FUEL	1		
9	HRA1500900C3	퇴유파이프조합	PIPE ASSY, FUEL RETURN	1		
9	HRA1500900C3	퇴유파이프조합	PIPE ASSY, FUEL RETURN	1		
10	HRA1502600B4	브래킷(연료파이프)	BRACKET,PIPE	1		
10	HRA1502600B4	브래킷(연료파이프)	BRACKET,PIPE	1		
10	HRA1502600B4	브래킷(연료파이프)	BRACKET,PIPE	1		
10	HRA1502600B4	브래킷(연료파이프)	BRACKET,PIPE	1		
11	26367-060002	플랜지너트	Nut, Hexa (Φ6)	2	M6XP1.0	
11	26367-060002	플랜지너트	Nut, Hexa (Φ6)	2	M6XP1.0	
11	26367-060002	플랜지너트	Nut, Hexa (Φ6)	2	M6XP1.0	
11	26367-060002	플랜지너트	Nut, Hexa (Φ6)	2	M6XP1.0	

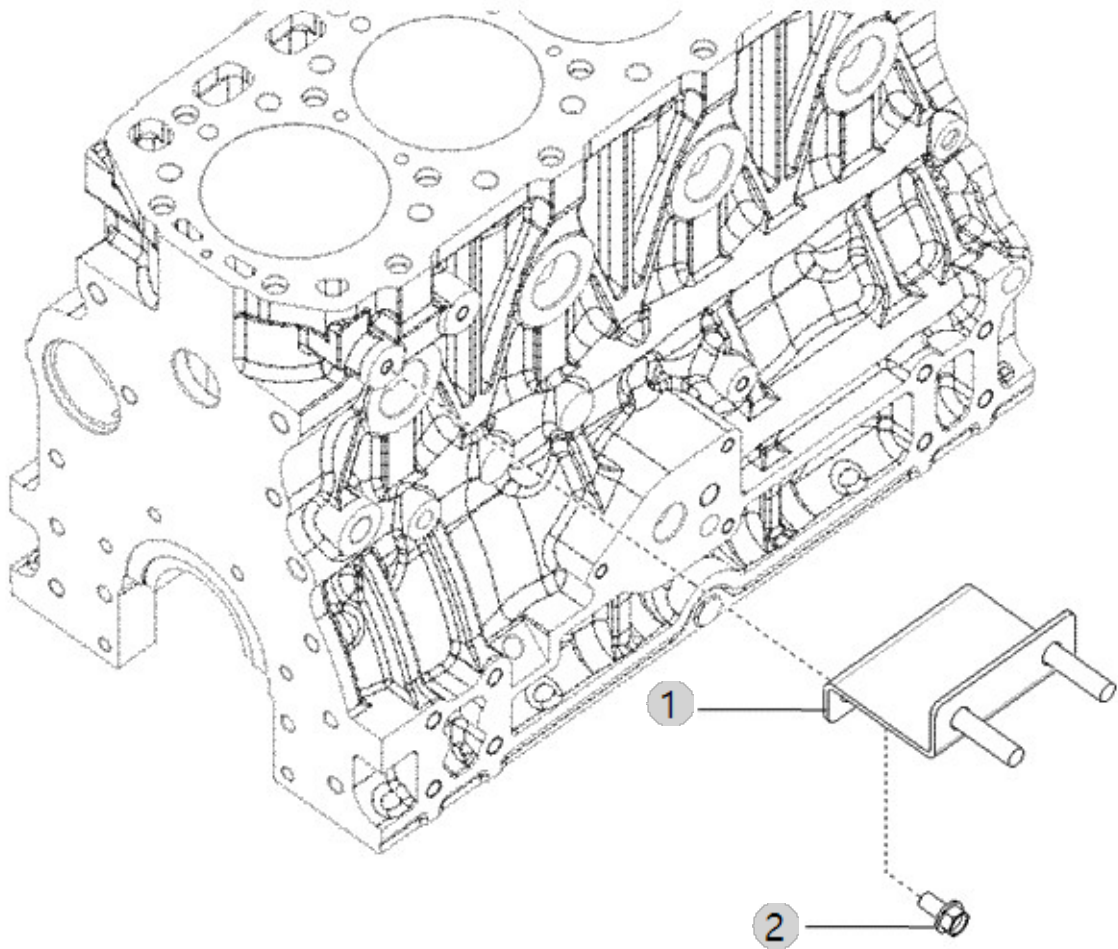
A14_003

A2300N4-ETC_5
(AB00331)

FUEL FILTER BRACKET

Year/Month

2023-01-18



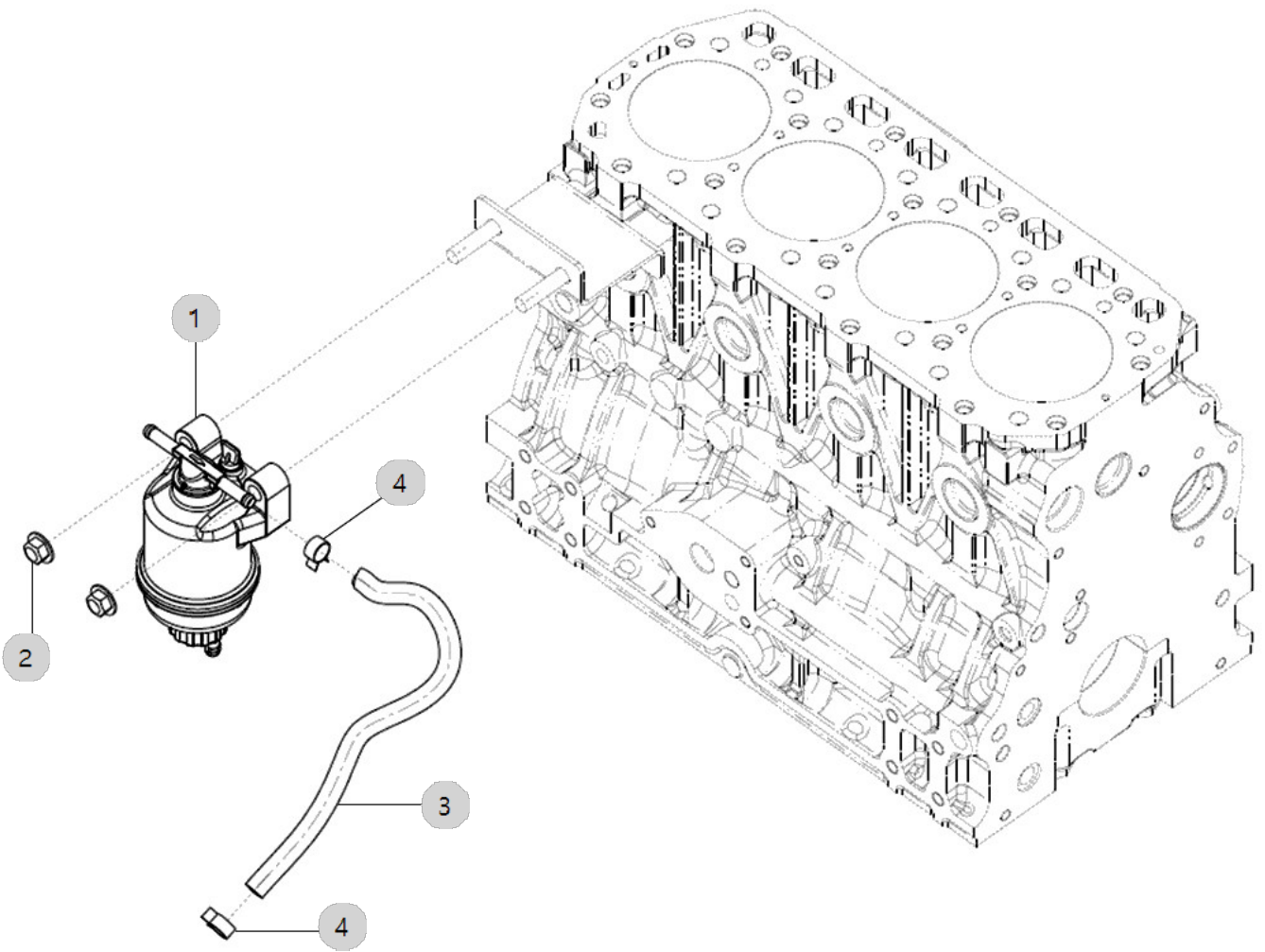
A16_018

A2300N4-ETC_5
(AB00331)

FUEL FILTER ASS'Y OPTION

Year/Month

2023-01-18



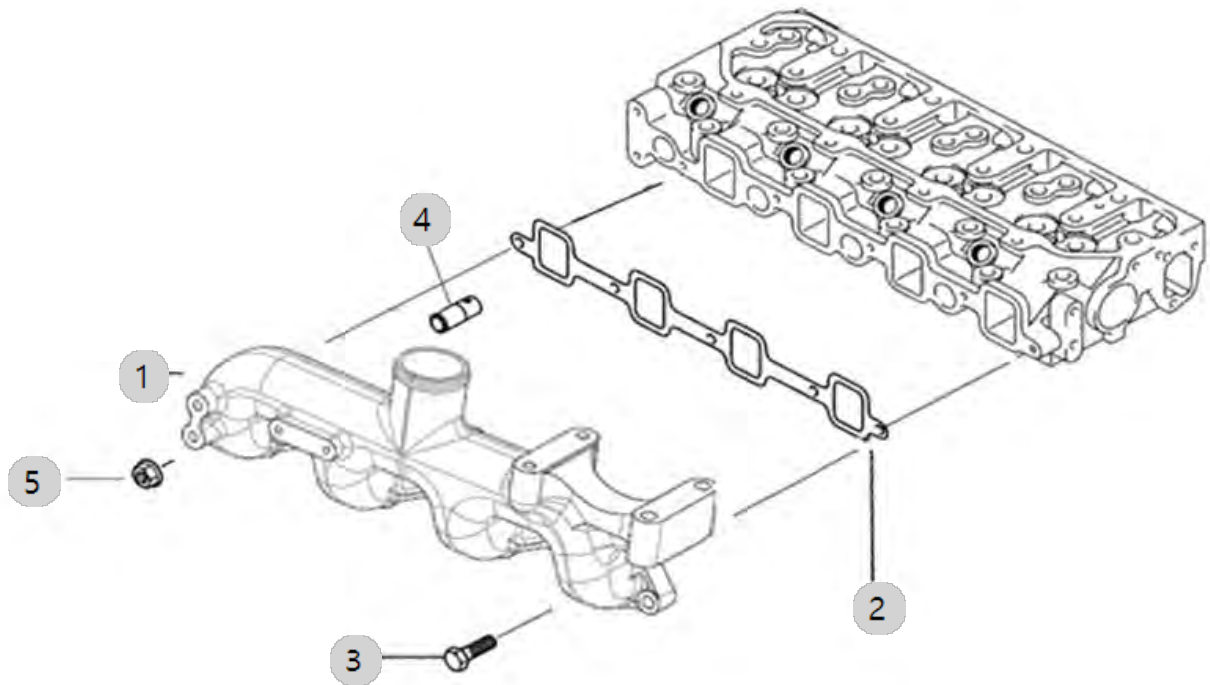
A17_012

A2300N4-ETC_5
(AB00331)

INTAKE MANIFOLD ASS'Y OPTION

Year/Month

2023-01-18



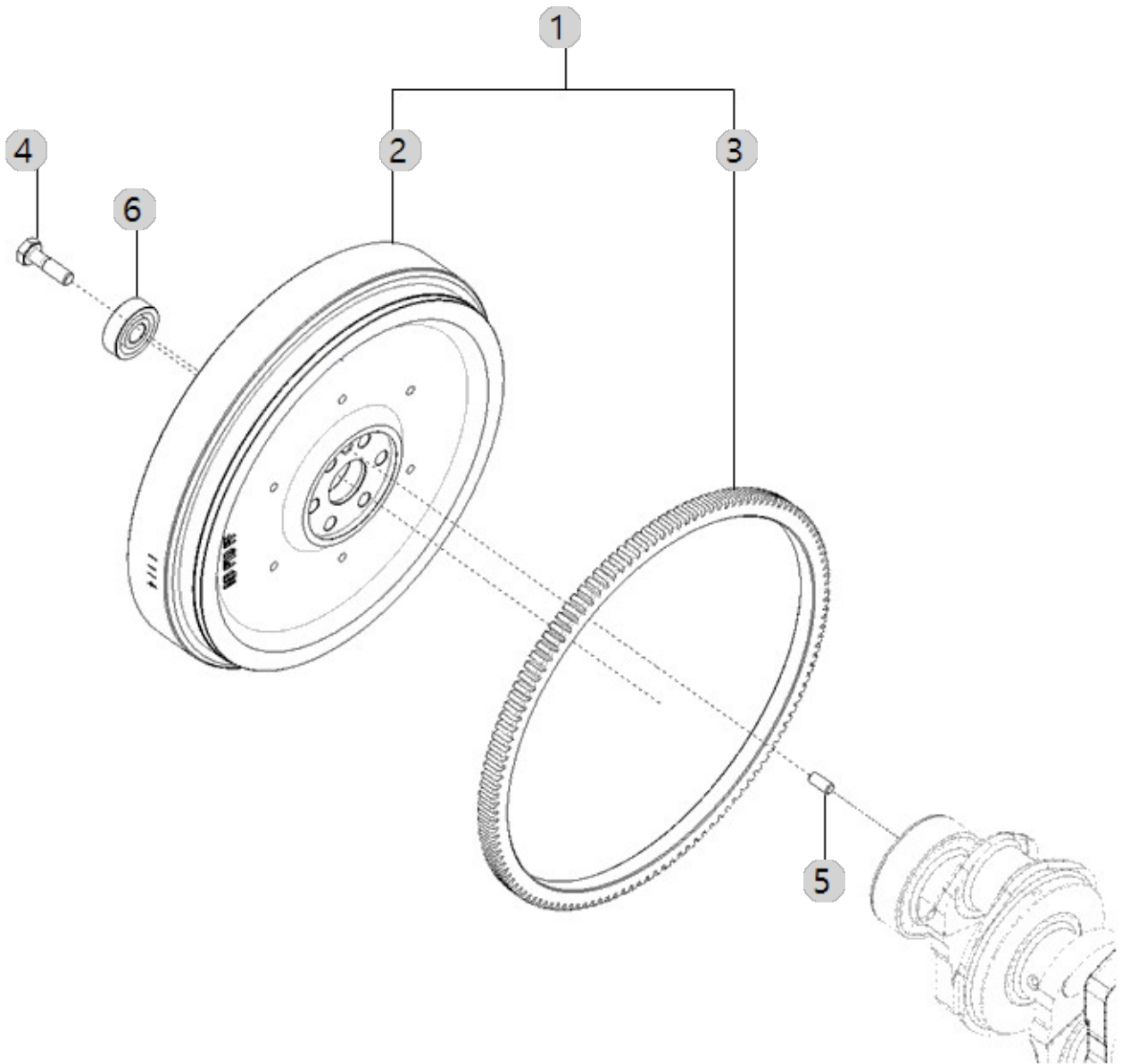
A18_011

A2300N4-ETC_5
(AB00331)

FLYWHEEL

Year/Month

2023-01-18



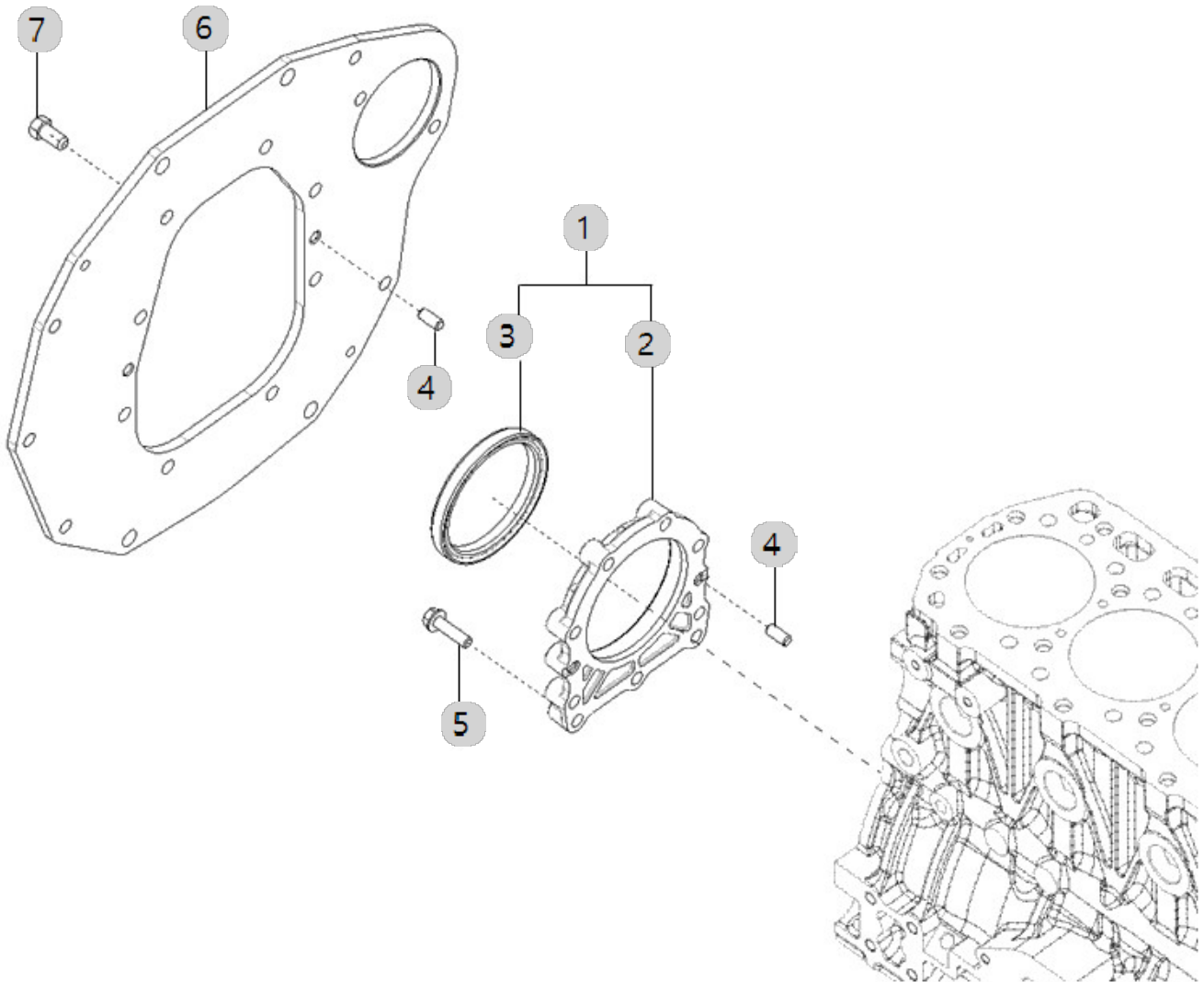
A19_007

A2300N4-ETC_5
(AB00331)

FLYWHEEL HOUSING

Year/Month

2023-01-18



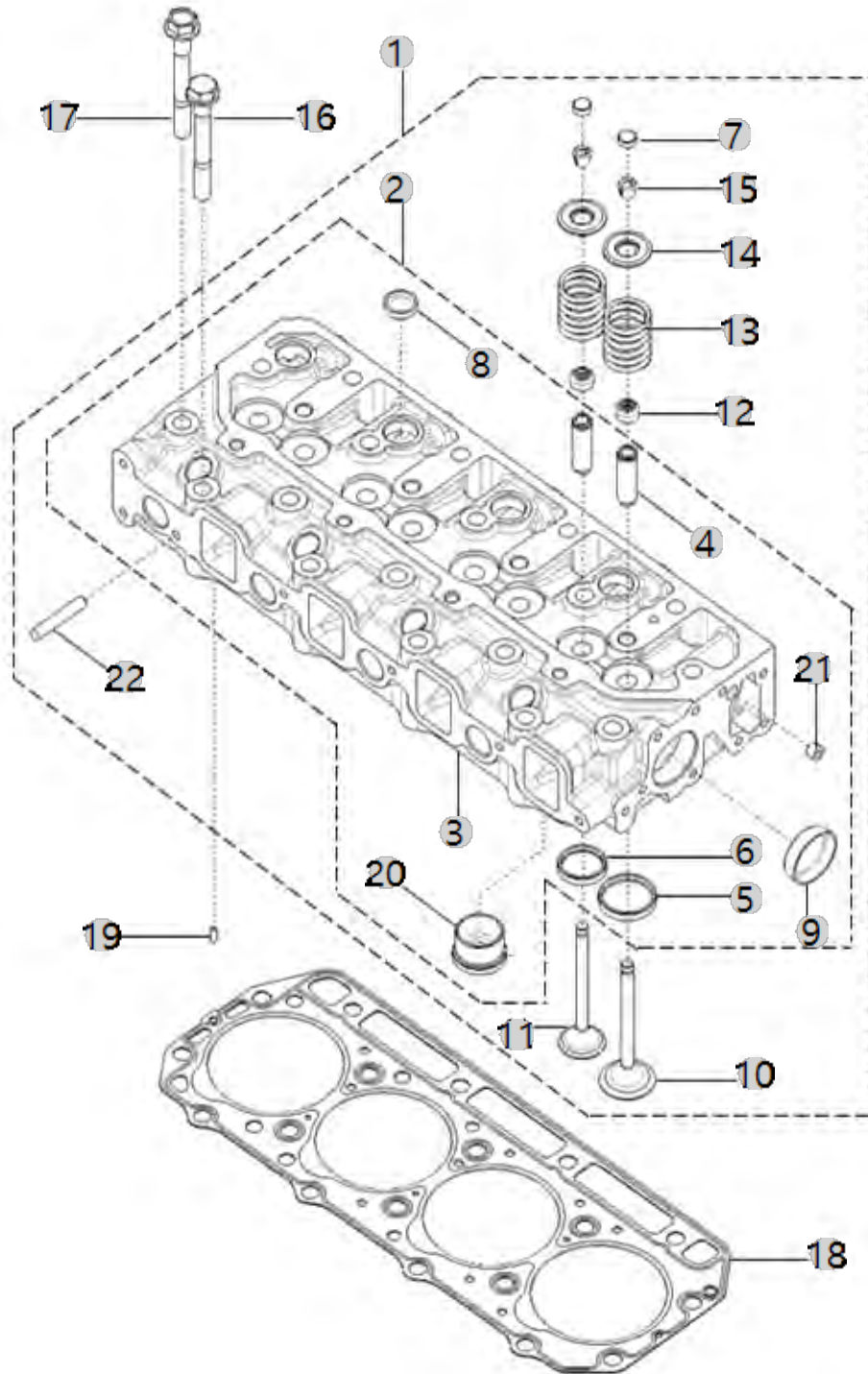
A20_010

A2300N4-ETC_5
(AB00331)

HEAD, CYLINDER

Year/Month

2023-01-18



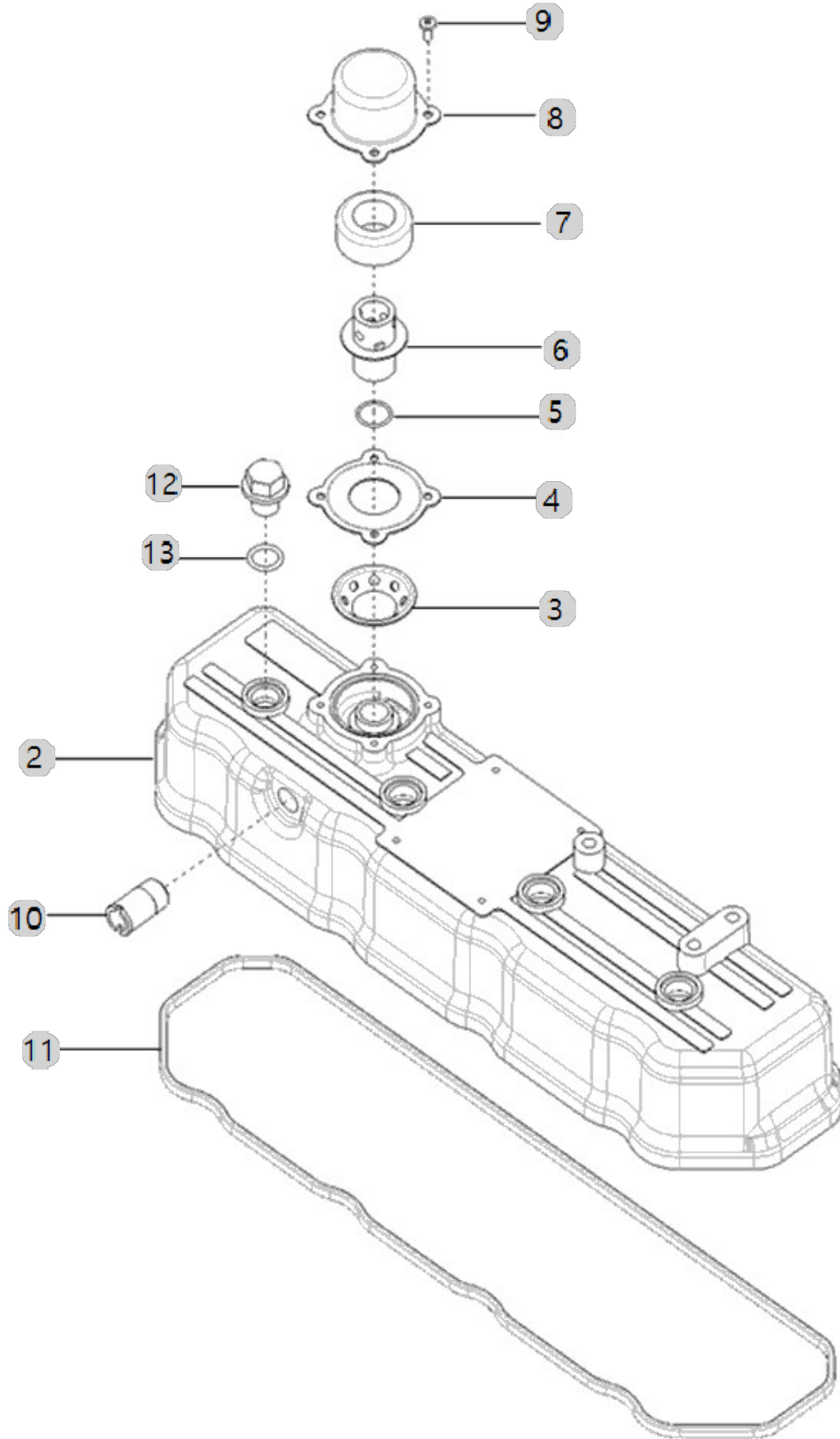
A21_004

A2300N4-ETC_5
(AB00331)

HEAD COVER

Year/Month

2023-01-18



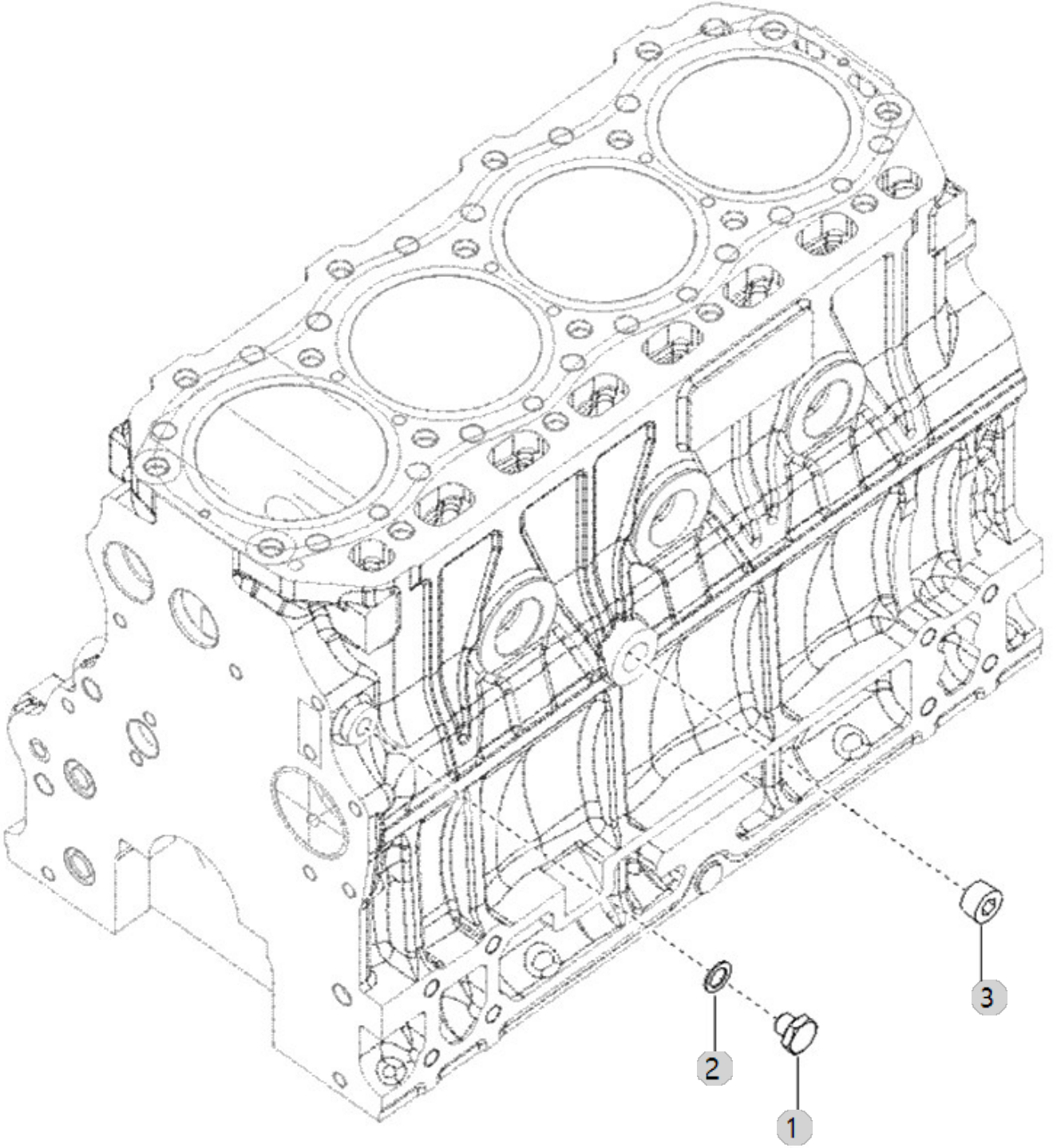
A23_009

A2300N4-ETC_5
(AB00331)

TURBOCHARGER SUPPORT ASS'Y OPTION

Year/Month

2023-01-18



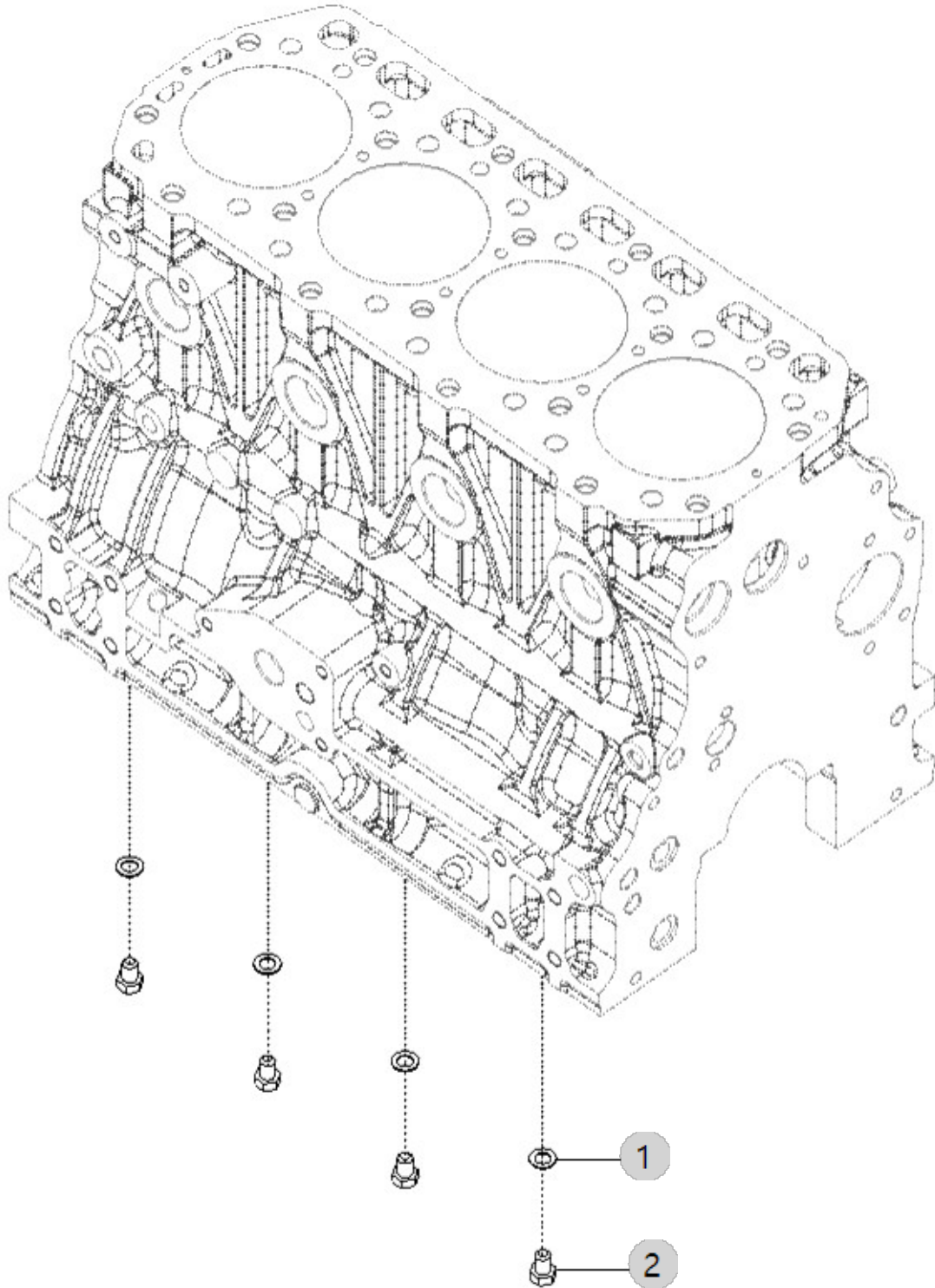
A25_002

A2300N4-ETC_5
(AB00331)

OIL JET ASS'Y OPTION

Year/Month

2023-01-18



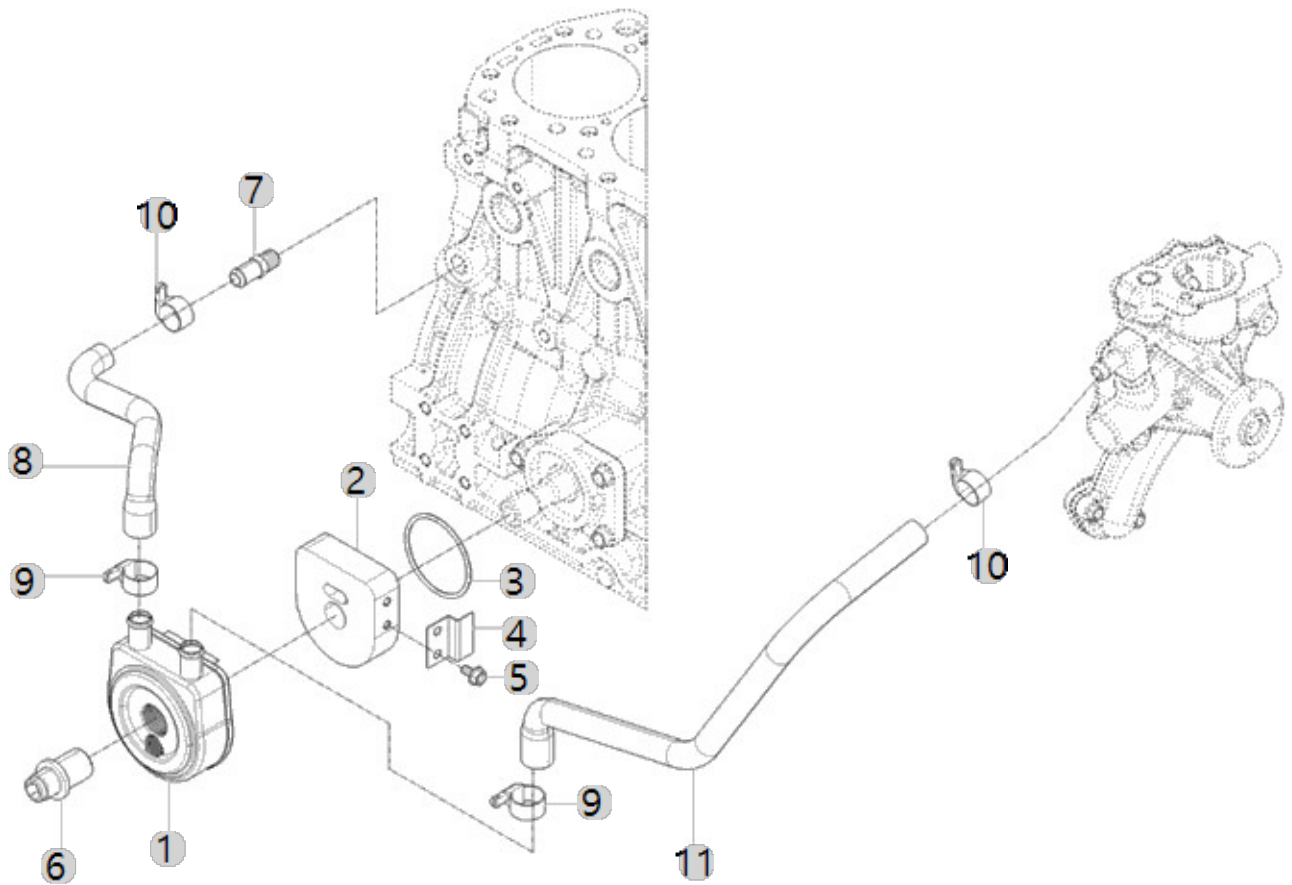
A26_005

A2300N4-ETC_5
(AB00331)

COOLER, ENGINE OIL

Year/Month

2023-01-18



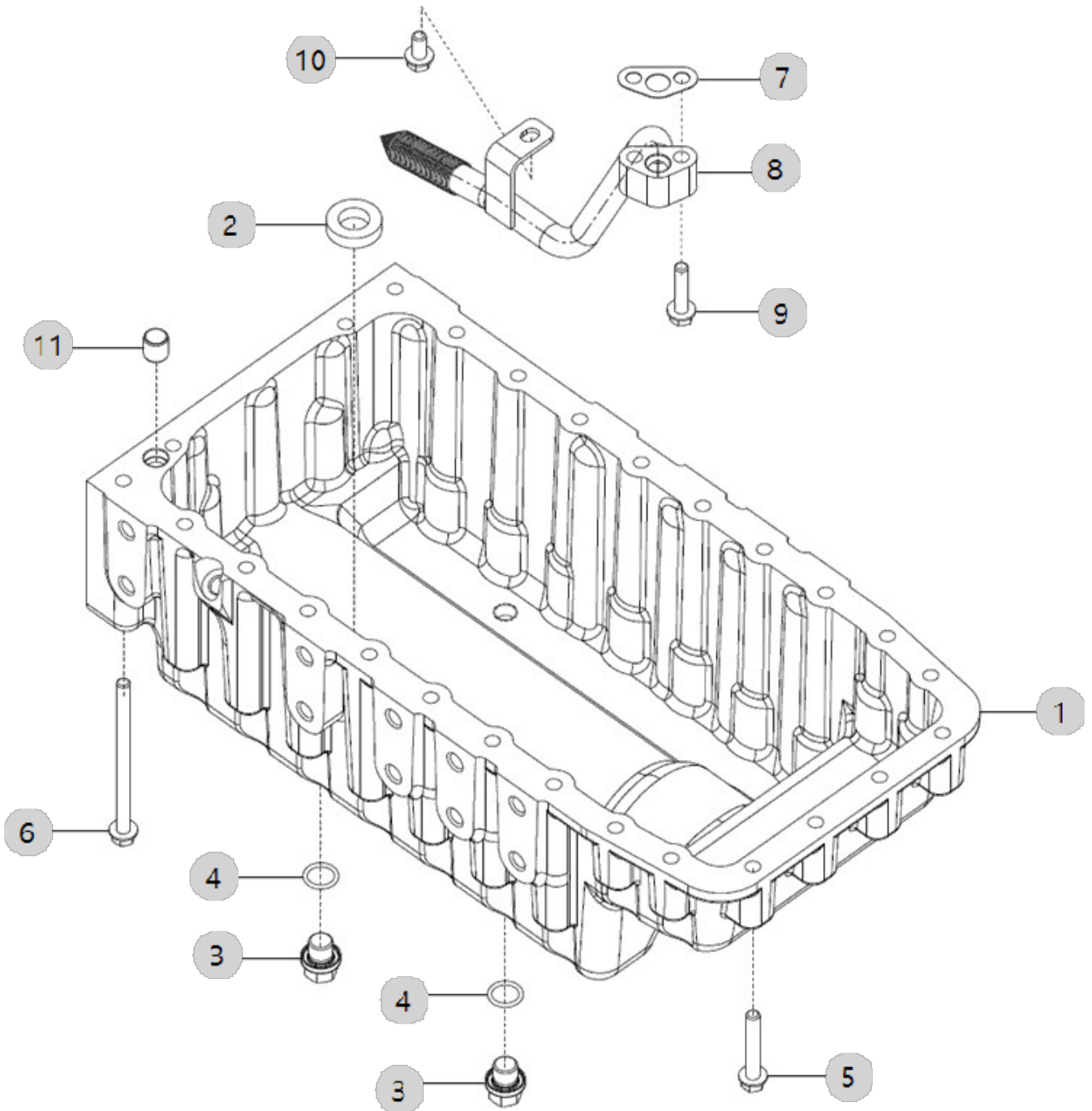
A27_005

A2300N4-ETC_5
(AB00331)

OIL PAN ASS'Y OPTION

Year/Month

2023-01-18



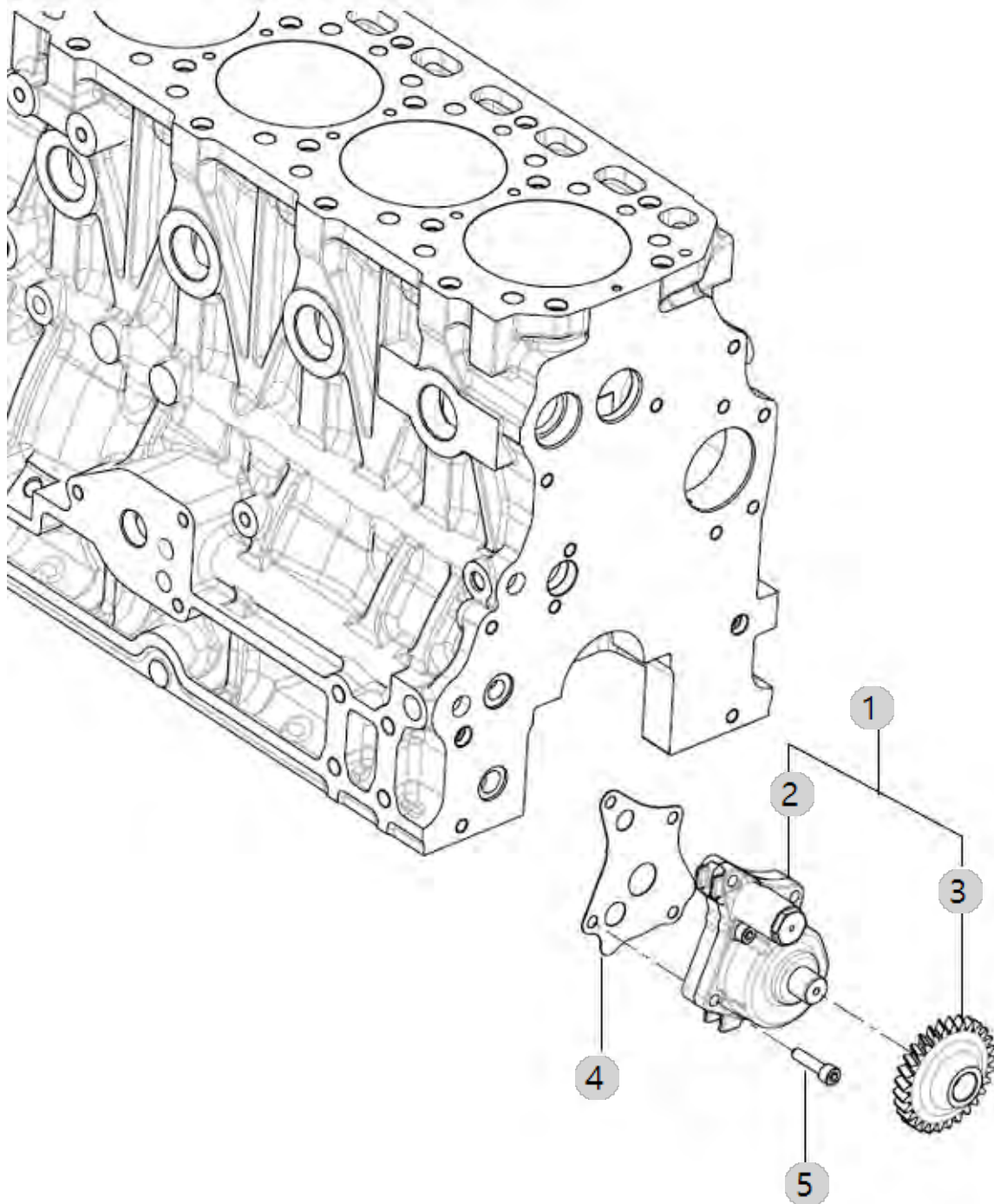
A28_001

A2300N4-ETC_5
(AB00331)

PUMP, LUBRICATING OIL

Year/Month

2023-01-18



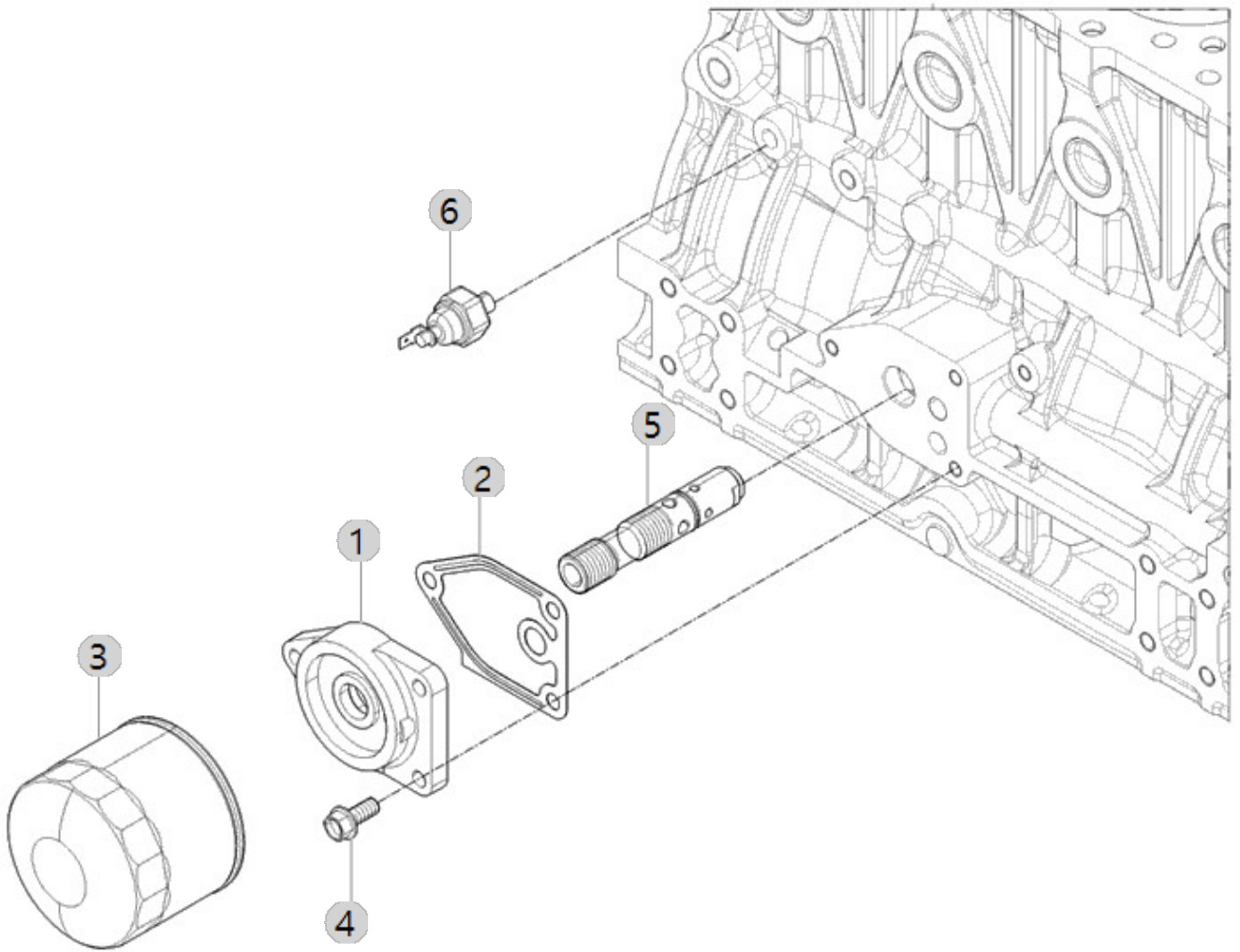
A29_005

A2300N4-ETC_5
(AB00331)

FILTER, LUBRICATING OIL

Year/Month

2023-01-18



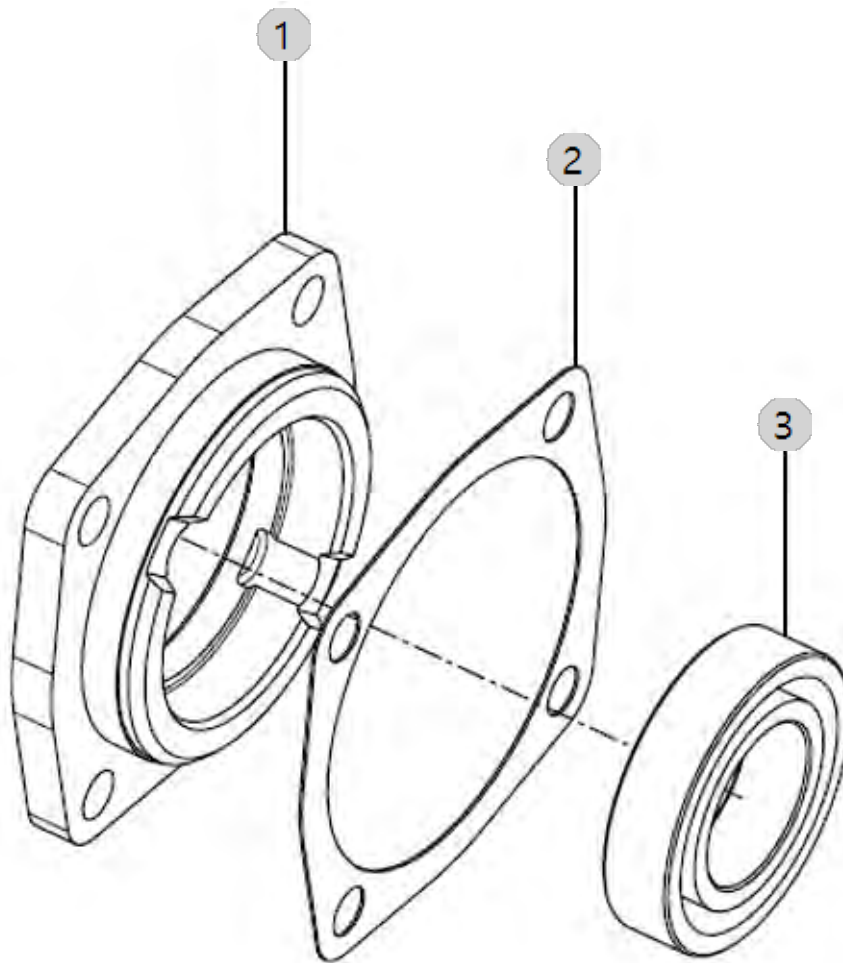
A30_003

A2300N4-ETC_5
(AB00331)

FRONT GEAR ACCESSORY DRIVE

Year/Month

2023-01-18



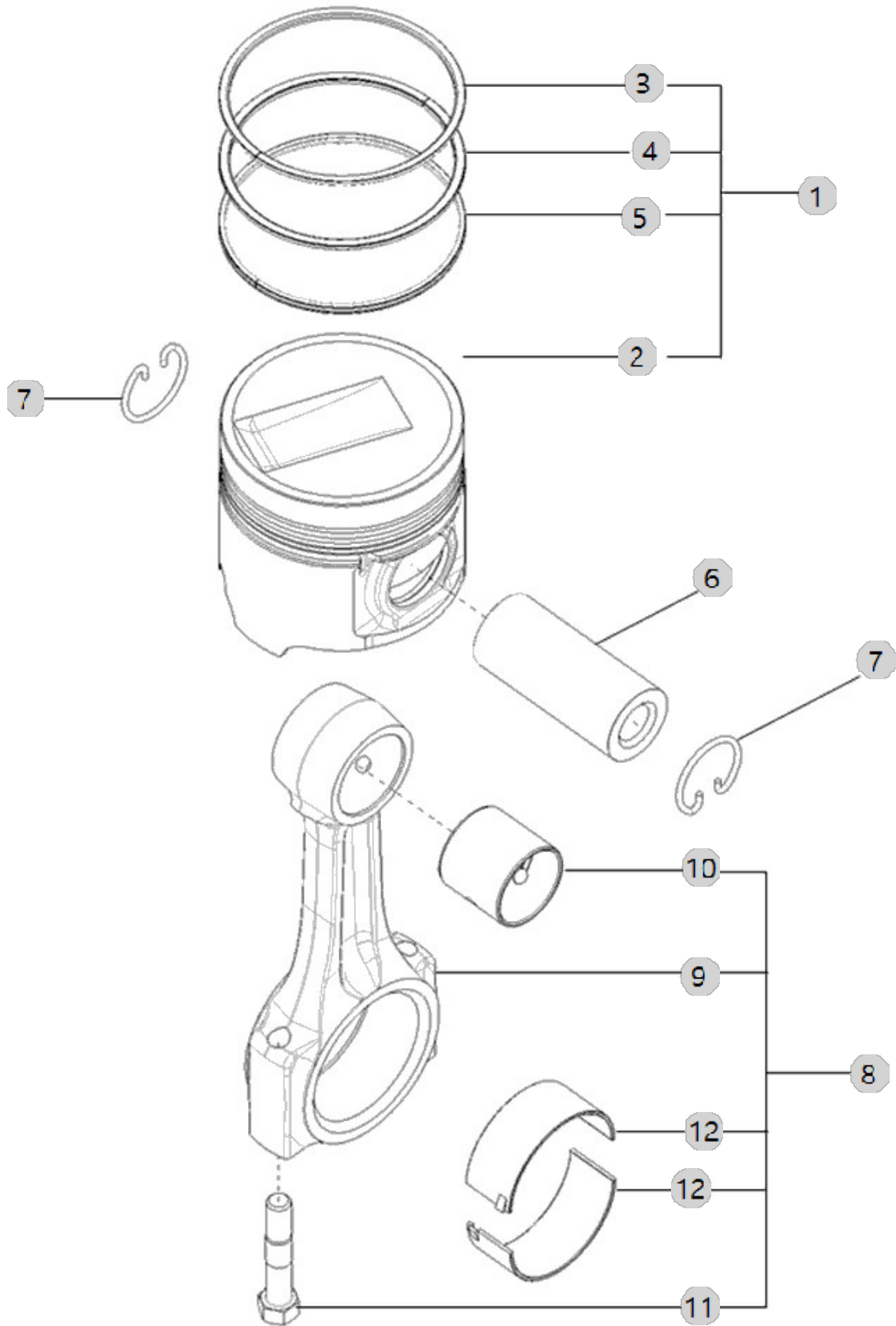
A31_007

A2300N4-ETC_5
(AB00331)

PISTON

Year/Month

2023-01-18



A31_007		PISTON				Year/Month
A2300N4-ETC_5 (AB00331)						2023-01-18
순번 (NO)	부품번호 (PART NO)	품명 (PART NAME)	품명 (PART NAME)	수량 (QTY)	규격 (SPEC)	비고 (REMARK)
1	HRA0801300A9	피스톤조합	PISTON ASS'Y	4		
2	HRA0801301B1	피스톤 A2300(T),A1700	PISTON,ENGINE	4		
2	HRA0801301C1	피스톤A2300(T),A1700	PISTON,ENGINE A2300(T),A1700	4		
3	HRA0801303A4	401,A172322,피스톤링(1ST)	RING,1STCOMPRESSIONPISTON	4		
4	HRA0801304B4	739,A172322,피스톤링(2ND)	RING,2NDCOMPRESSIONPISTON	4		
5	HRA0801305B4	740,A172322,피스톤링(OIL)	RING,OILPISTON	4		
6	HK27150000C4	피스톤핀	PIN,PISTON	4		
6	HK27150000D4	피스톤핀	PIN,PISTON	4		
7	HA08070000A4	468,ALL,멈춤링	RING,RETAINING	8		
8	HRA0801600C9	커넥팅로드조합	ROD,ENGINE CONNECTING	4		
8	HRA0801600B9	커넥팅로드조합	ROD,ENGINE CONNECTING	4		
9	HRA0801601B2	커넥팅로드	ROD,ENGINE CONNECTING	4		
9	HRA0801601C2	커넥팅로드	ROD,ENGINE CONNECTING	4		
10	HRA0801603B4	부시(피스톤핀)	BUSHING	4		
10	HRA0801603A4	409,ALL,부시(피스톤핀)	BUSHING	4		
11	HRA0801602A4	408,ALL,볼트(커넥팅로드)	SCREW,HEXAGONHEADCAP	8		
12	HRA0801700A3	커넥팅로드 베어링	CONNECTING ROD BEARING	8		

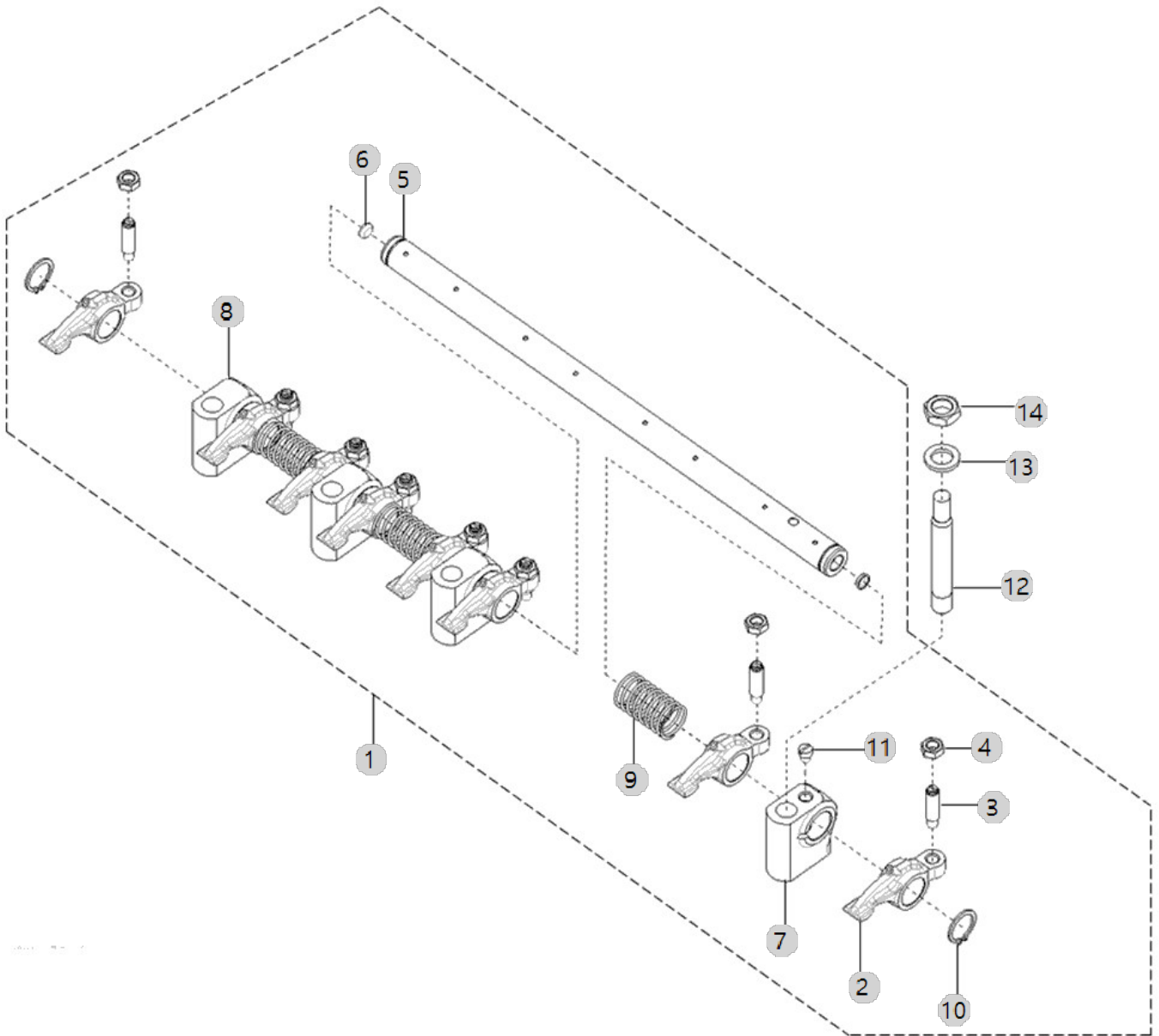
A32_003

A2300N4-ETC_5
(AB00331)

LEVER, LOCKER

Year/Month

2023-01-18



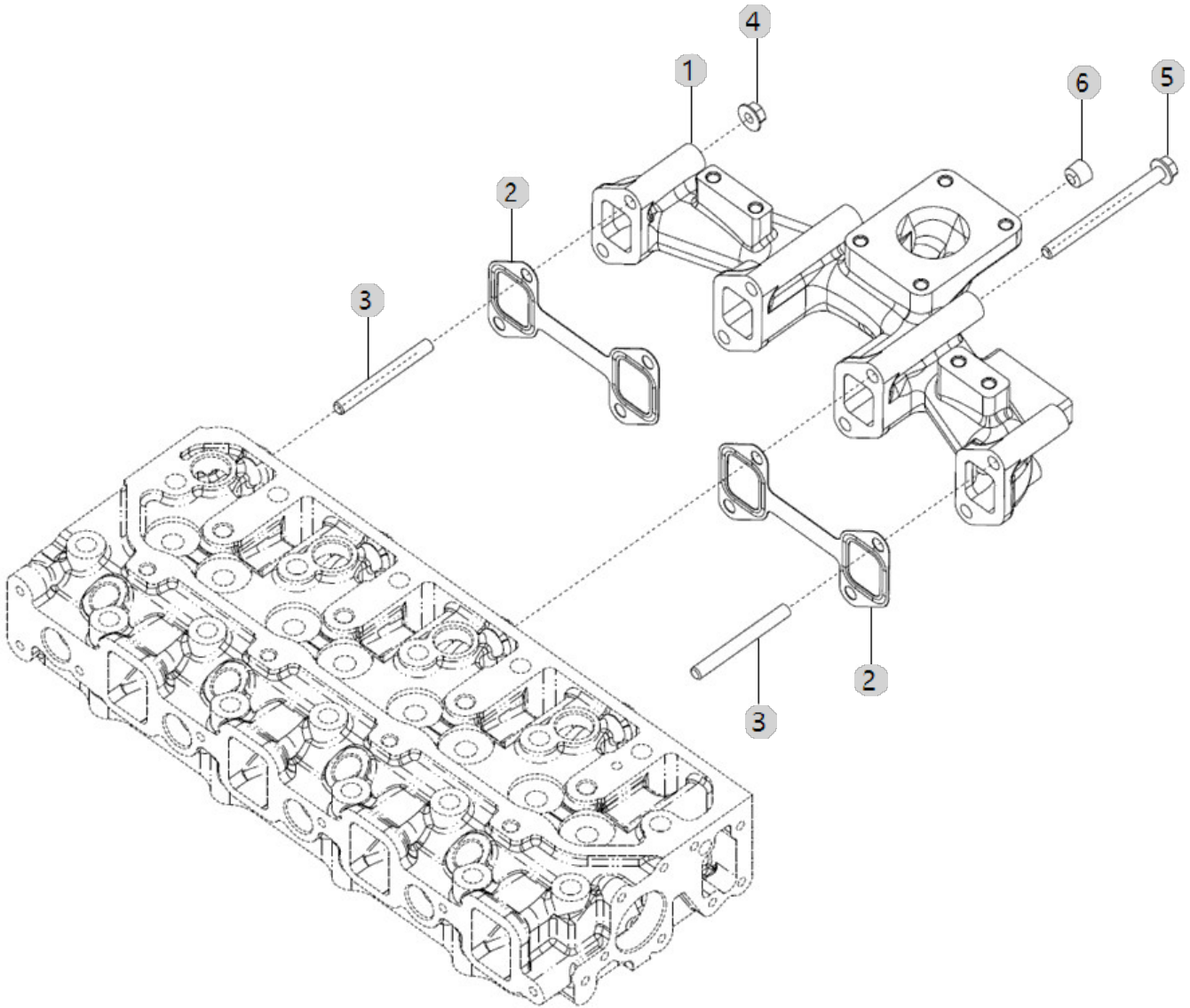
A33_013

A2300N4-ETC_5
(AB00331)

EXHAUST MANIFOLD

Year/Month

2023-01-18



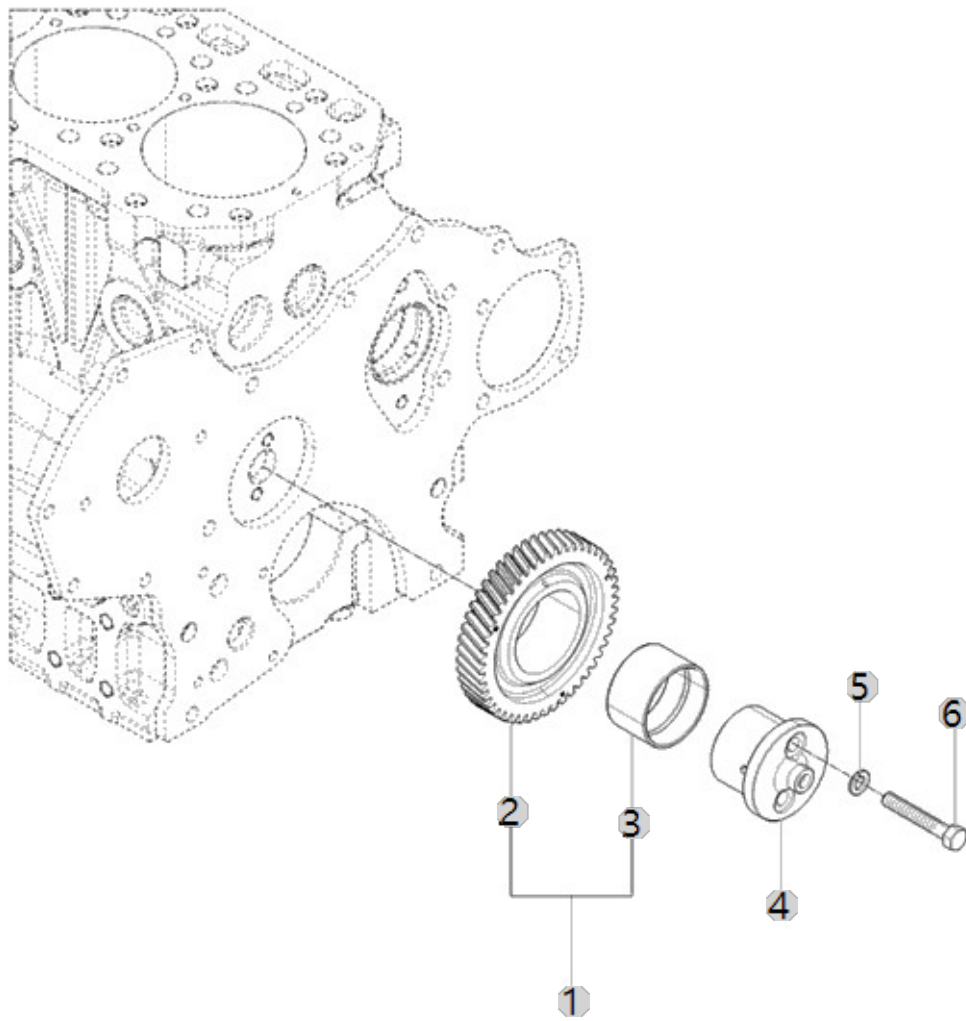
A35_002

A2300N4-ETC_5
(AB00331)

IDLE GEAR

Year/Month

2023-01-18



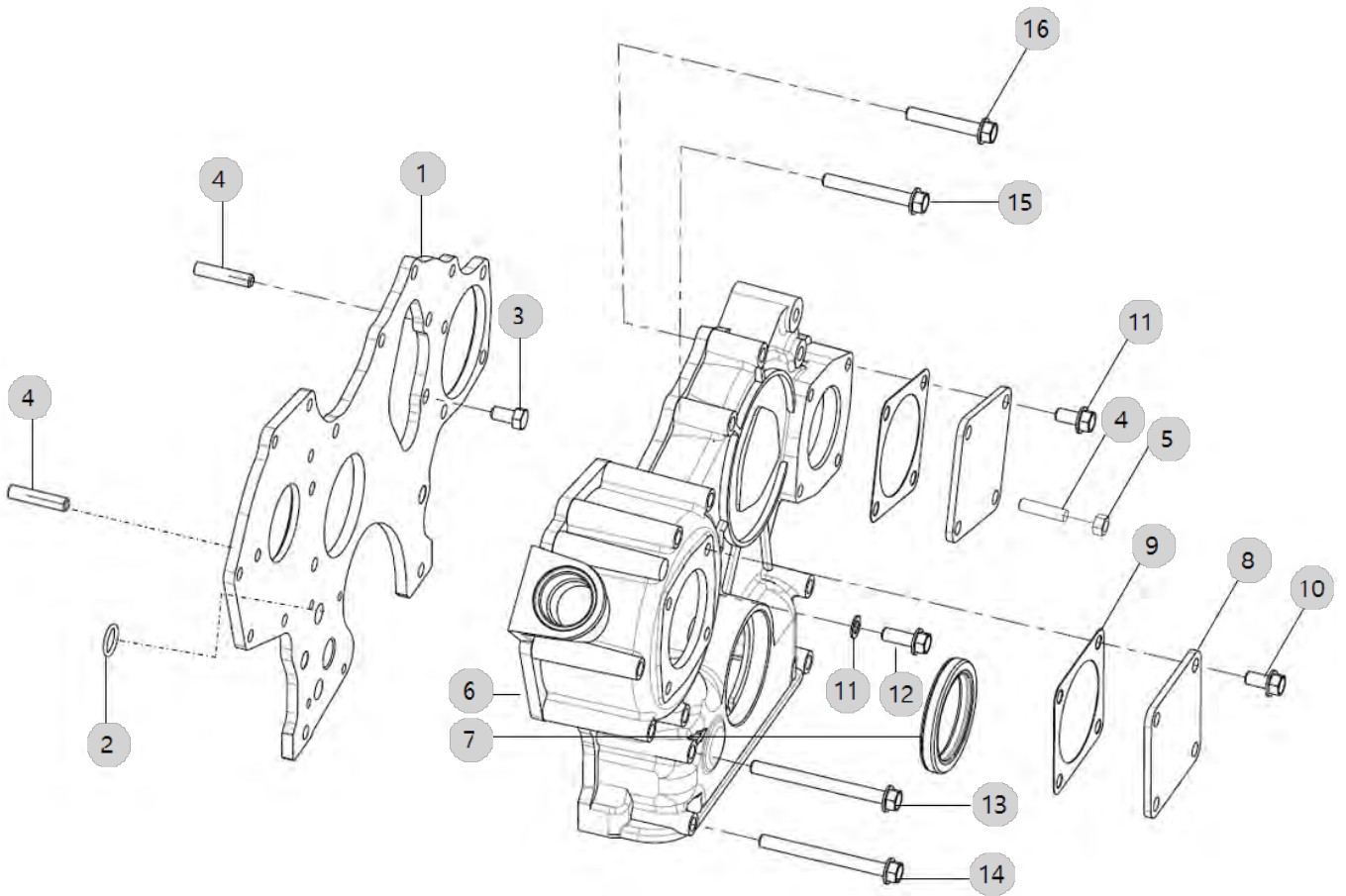
A36_004

A2300N4-ETC_5
(AB00331)

COVER, FRONT GEAR

Year/Month

2023-01-18



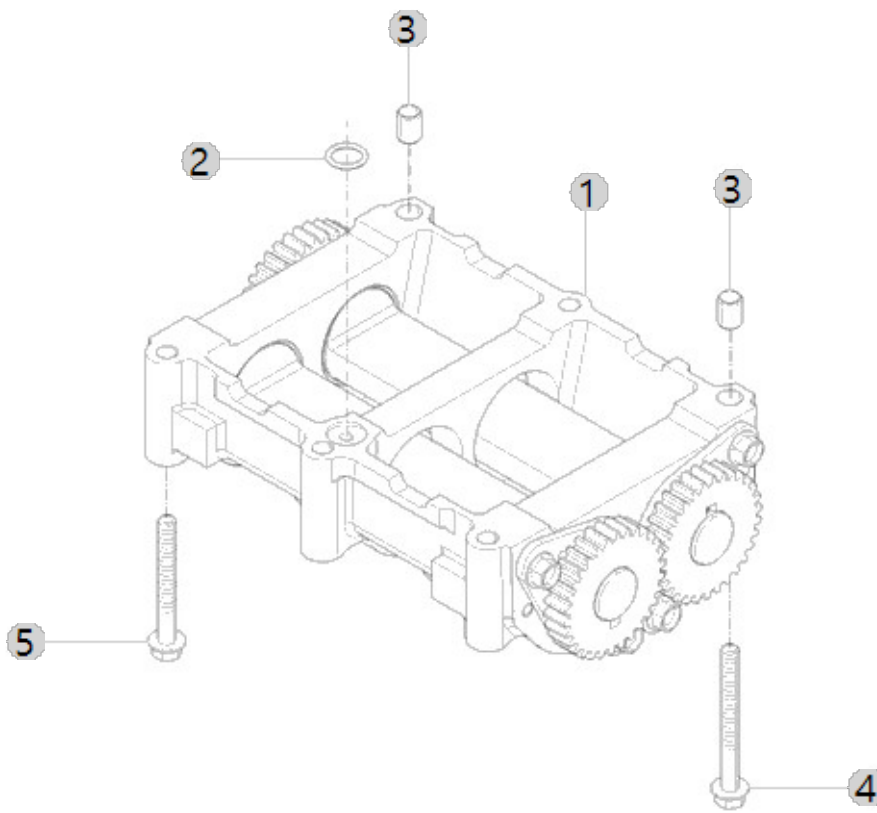
A37_001

A2300N4-ETC_5
(AB00331)

BALANCE ASS'Y

Year/Month

2023-01-18



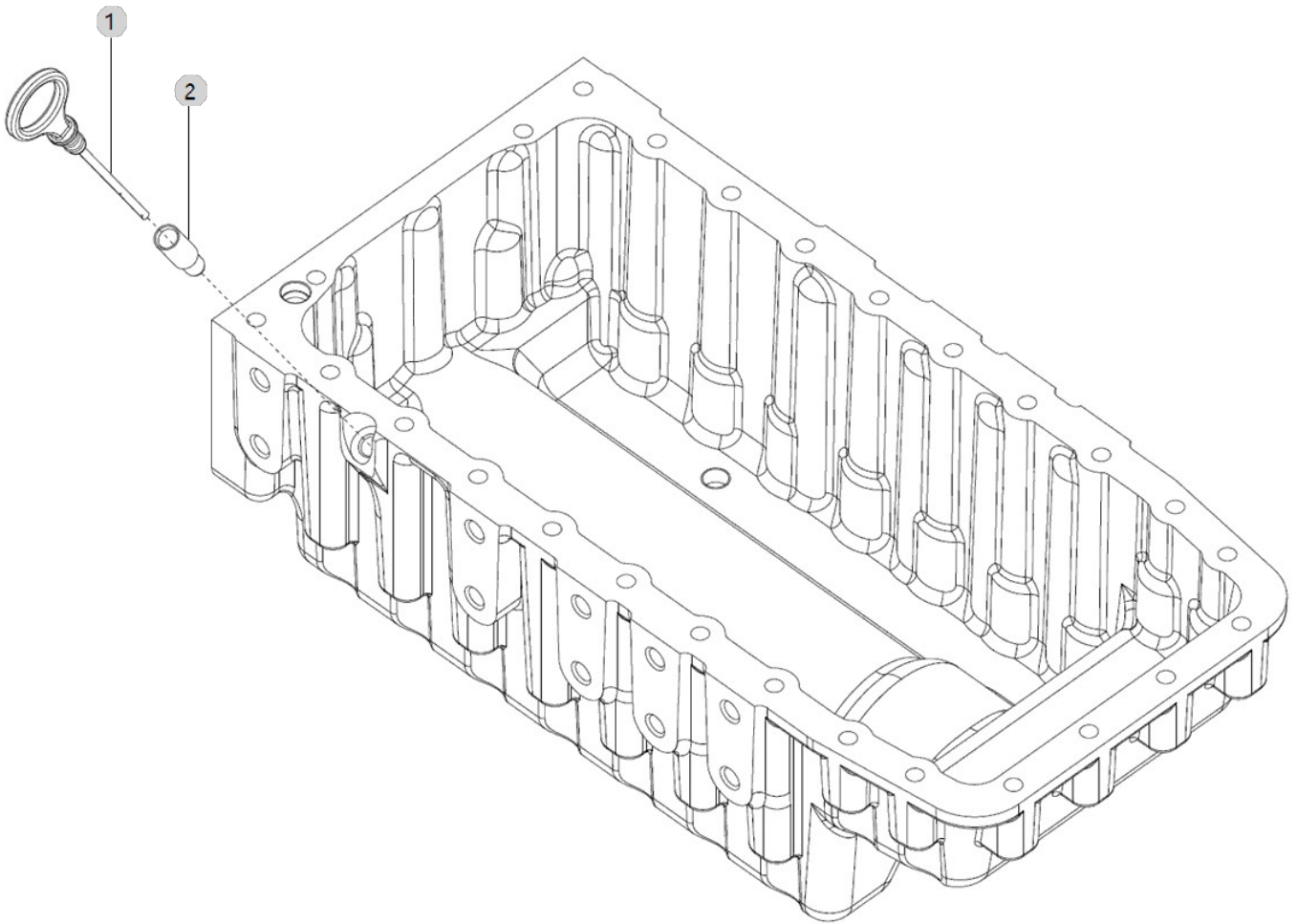
A38_009

A2300N4-ETC_5
(AB00331)

GAUGE, OIL LEVEL

Year/Month

2023-01-18



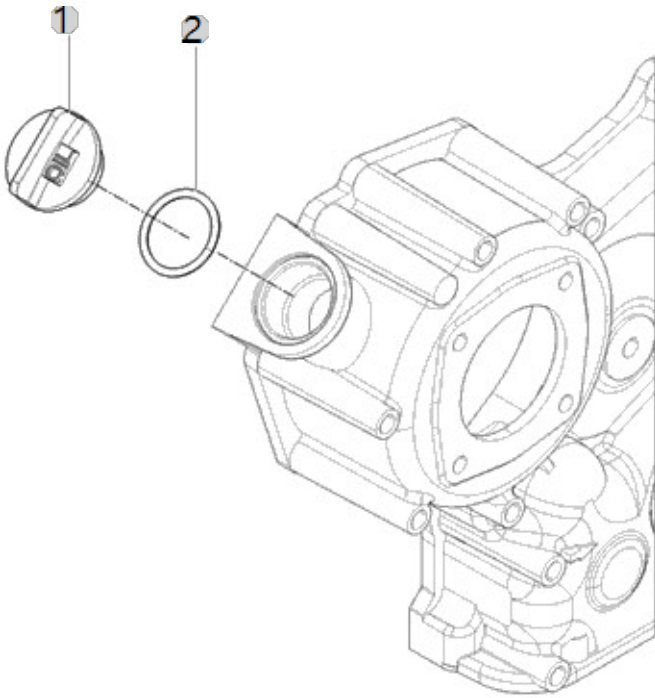
A39_001

A2300N4-ETC_5
(AB00331)

OIL FILLER CAP

Year/Month

2023-01-18



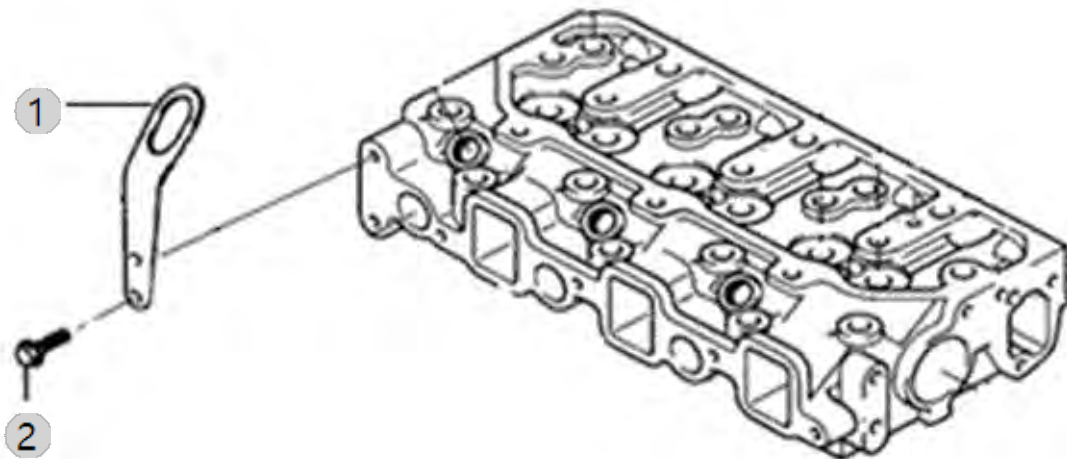
A40_003

A2300N4-ETC_5
(AB00331)

LIFT ASS'Y OPTION

Year/Month

2023-01-18



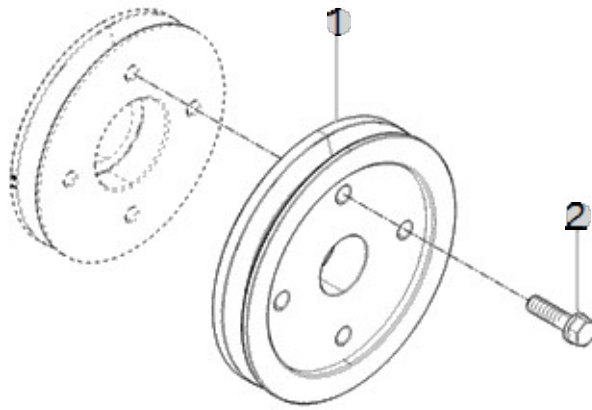
A41_001

A2300N4-ETC_5
(AB00331)

COMP,DRIVE PULLEY ASS'Y OPTION

Year/Month

2023-01-18



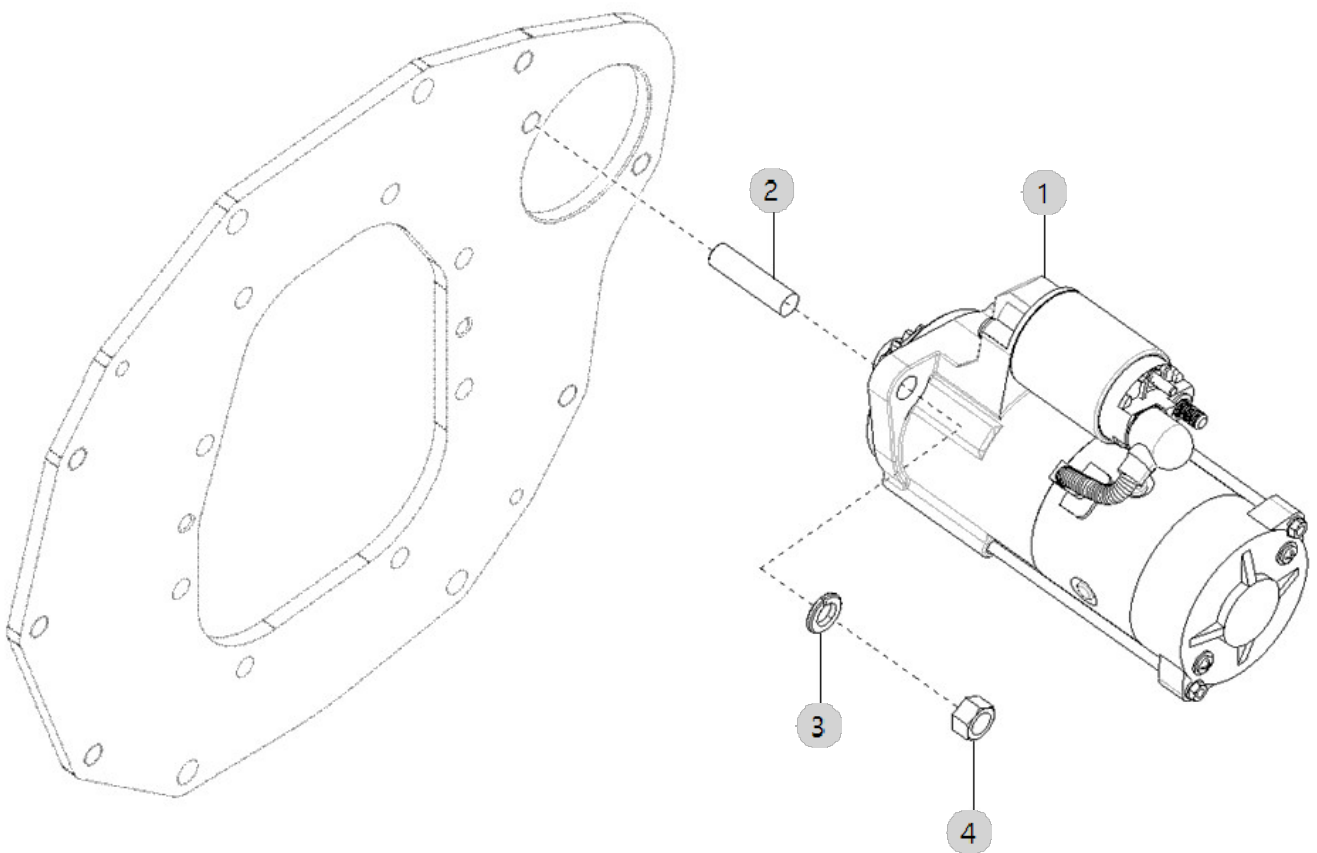
A42_003

A2300N4-ETC_5
(AB00331)

MOTER, STARTIONS

Year/Month

2023-01-18



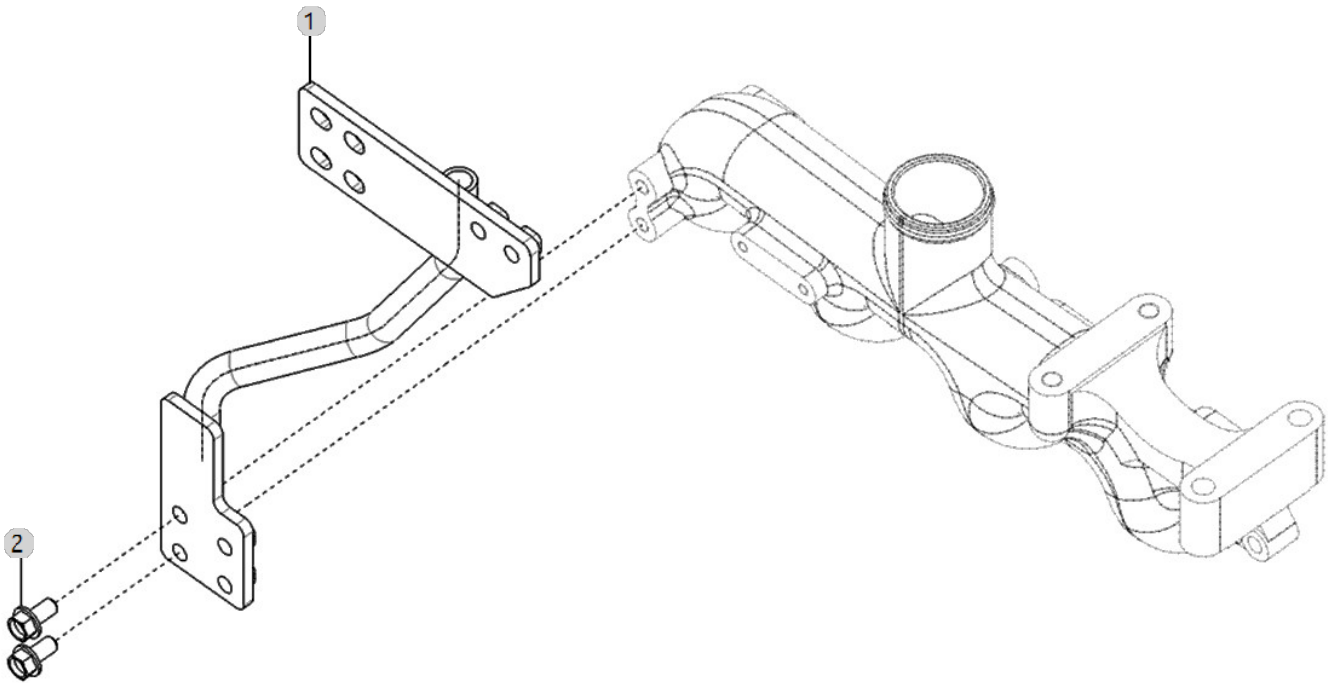
A43_001

A2300N4-ETC_5
(AB00331)

DPF SUPPORT OPTION

Year/Month

2023-01-18



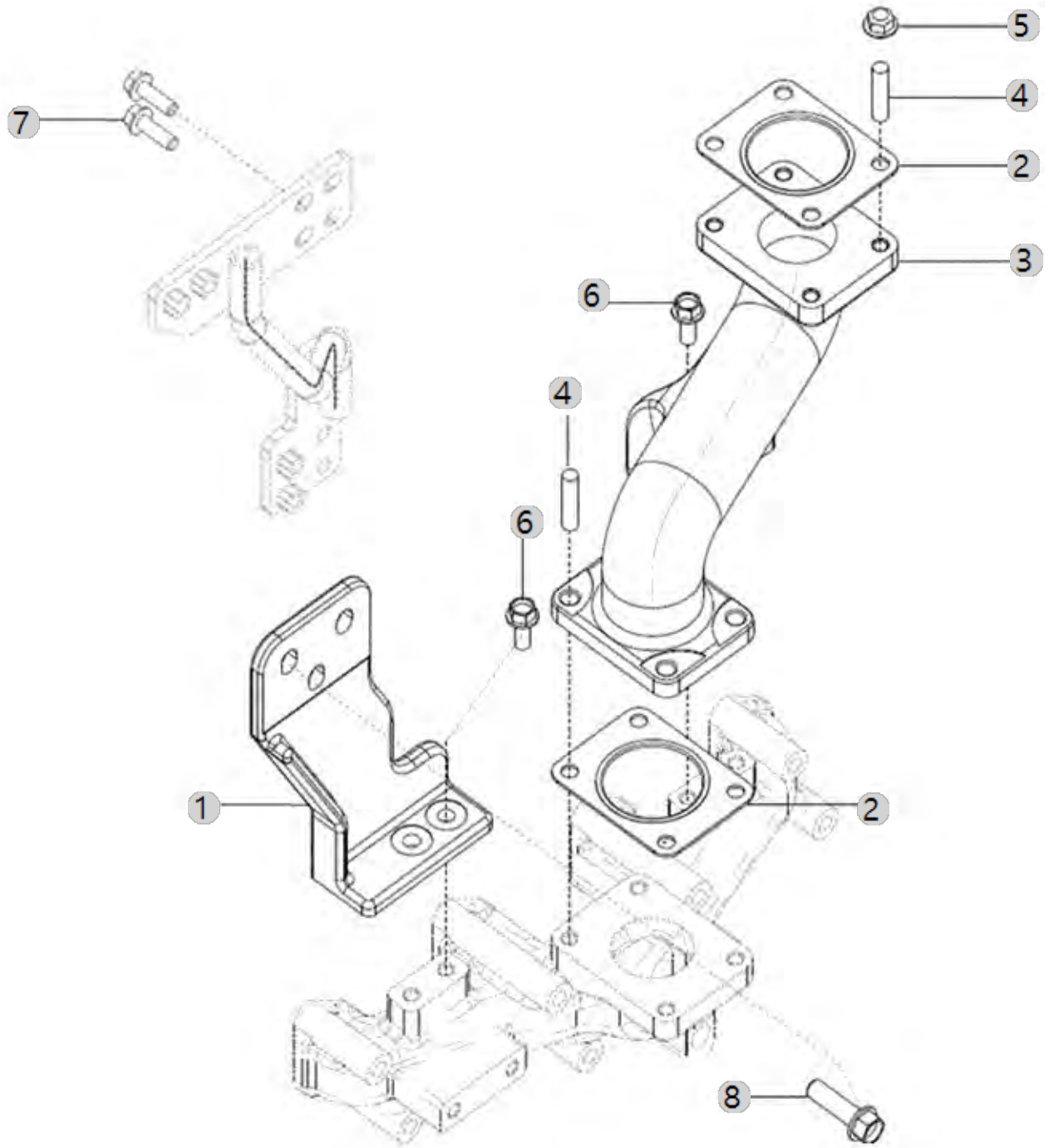
A44_006

A2300N4-ETC_5
(AB00331)

DPF MOUNTING OPTION

Year/Month

2023-01-18



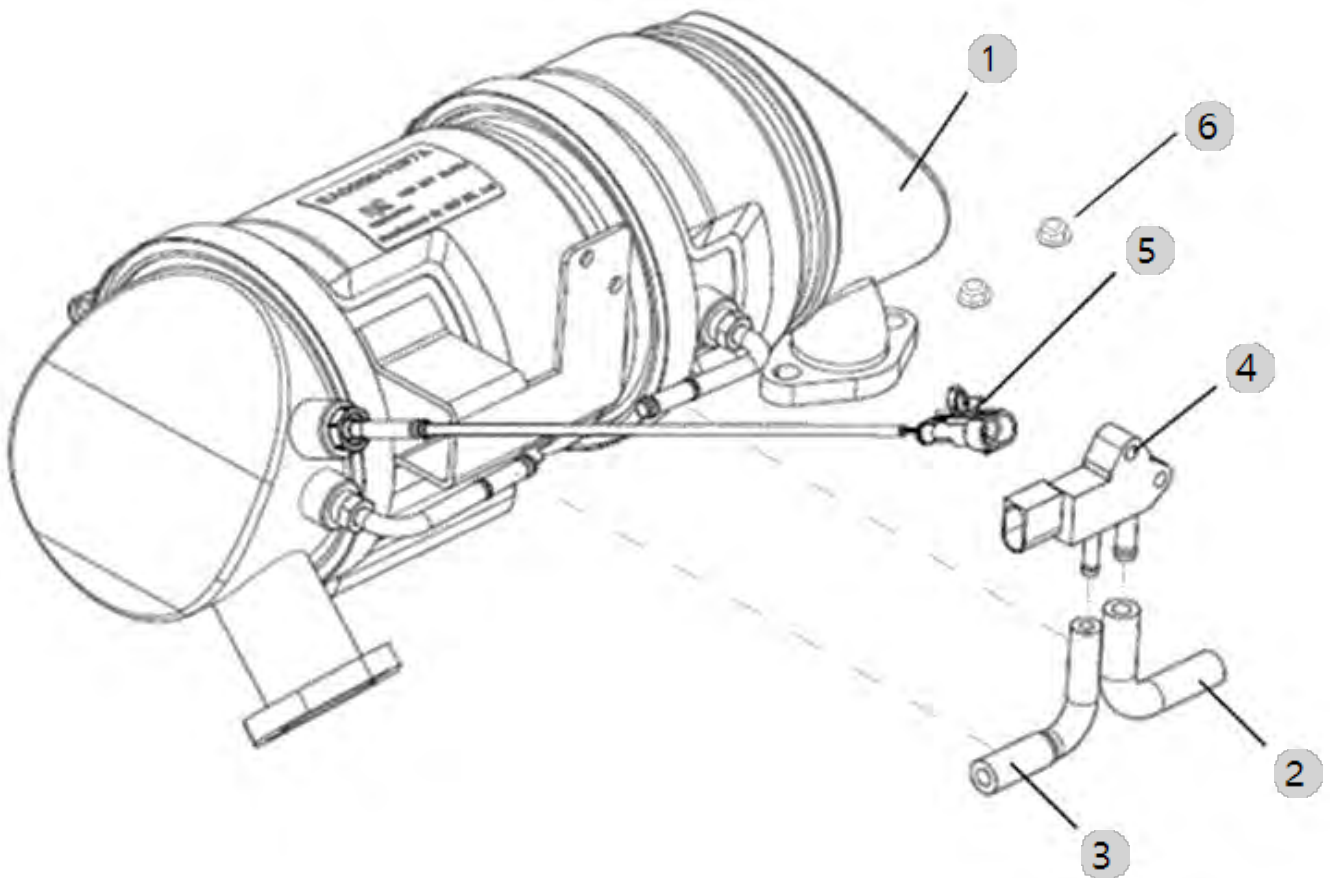
A45_001

A2300N4-ETC_5
(AB00331)

DPF

Year/Month

2023-01-18



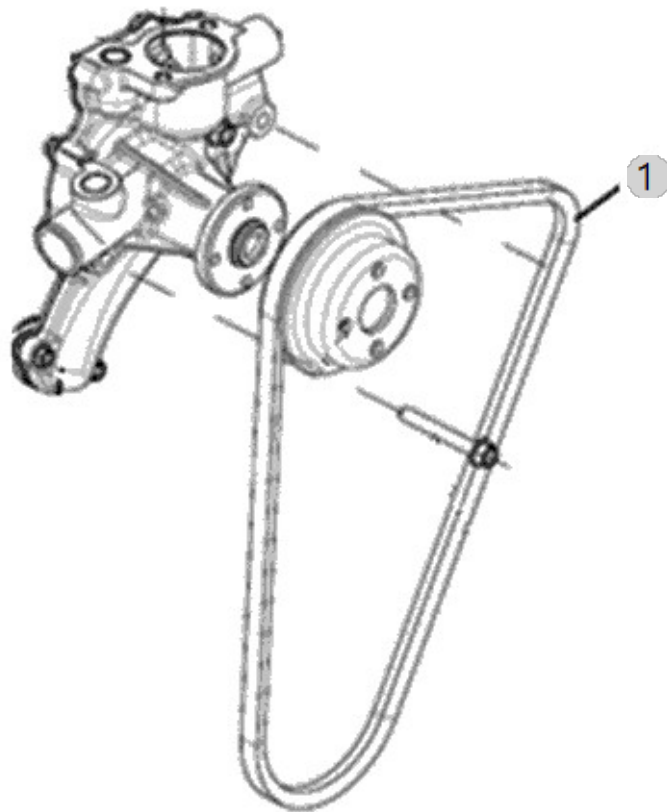
A48_006

A2300N4-ETC_5
(AB00331)

V-BELT

Year/Month

2023-01-18



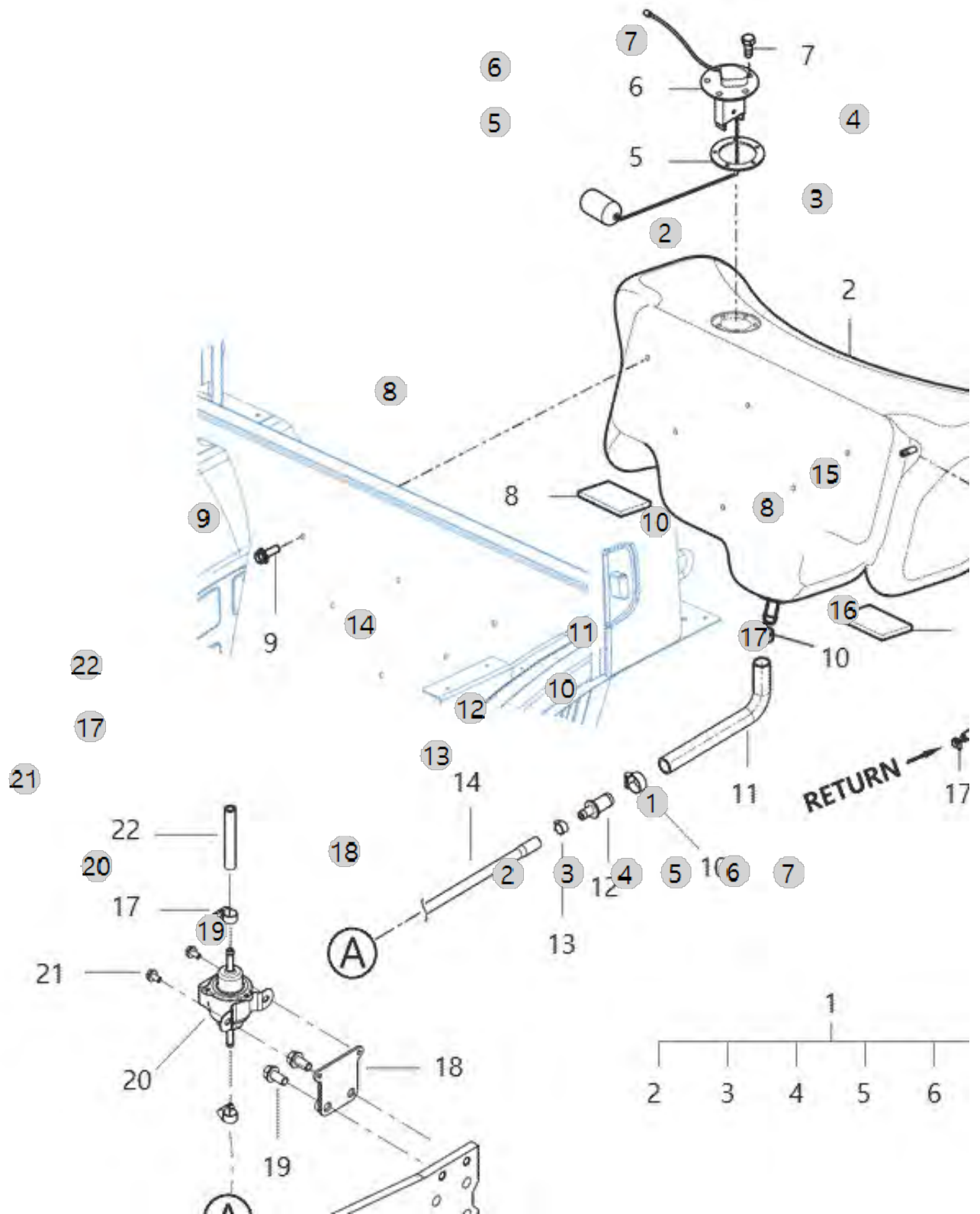
B01010

F50CHN_EU_FL
(AC02151)

FUEL TANK

Year/Month

2023-01-18



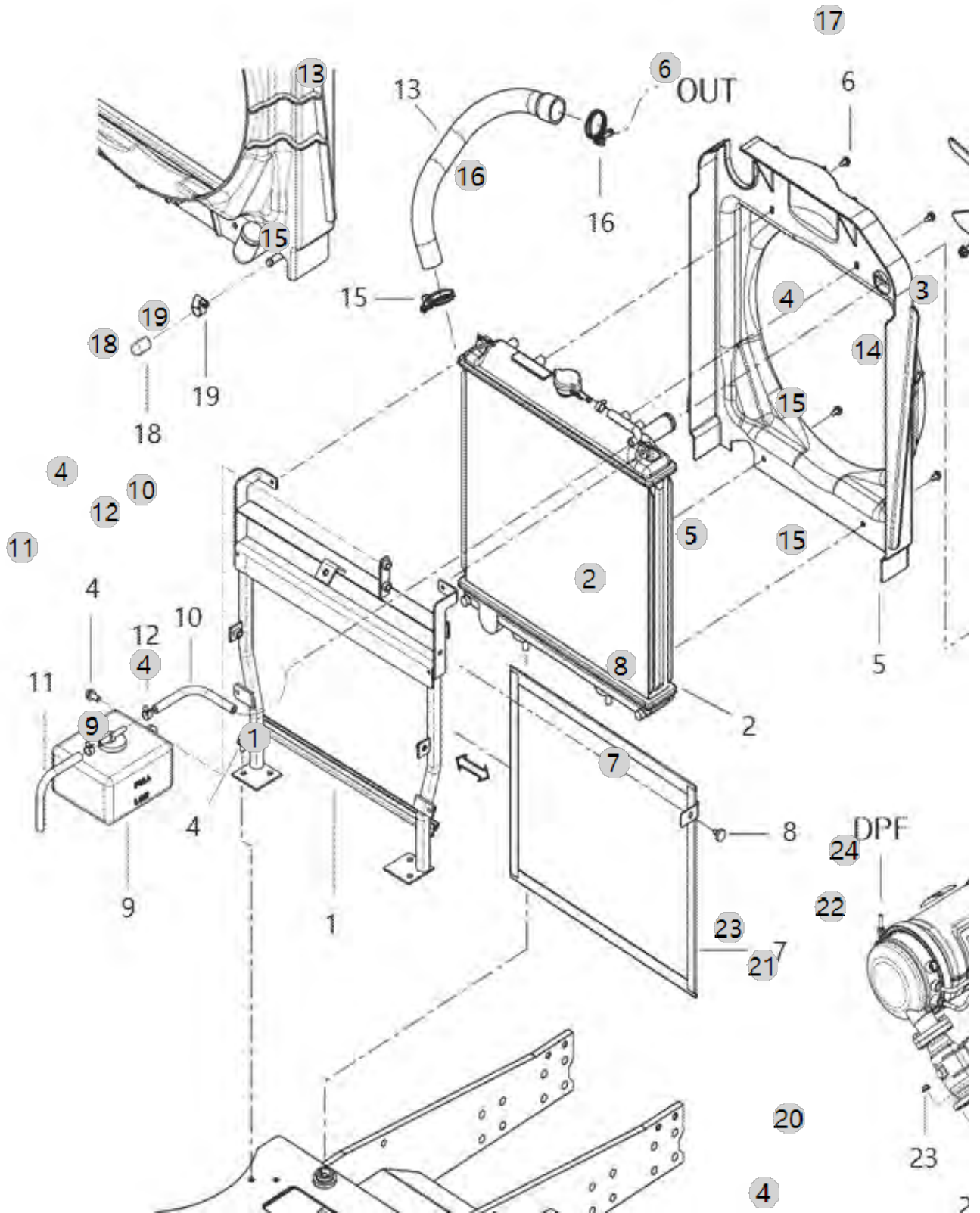
B02020B

F50CHN_EU_FL
(AC02151)

RADIATOR

Year/Month

2023-01-18



B02020B F50CHN_EU_FL (AC02151)		RADIATOR				Year/Month 2023-01-18
순번 (NO)	부품번호 (PART NO)	품명 (PART NAME)	품명 (PART NAME)	수량 (QTY)	규격 (SPEC)	비고 (REMARK)
1	TA00054696C	라디에이터브래킷조합(K3C-4)	RADIATOR BRACKET ASS'Y, K3C-4	1		
1	TA00054696B	라디에이터브래킷조합(K3C-4)	RADIATOR BRACKET ASS'Y	1		
1	TA00054696D	라디에이터브래킷조합(K3C-4)	RADIATOR BRACKET ASS'Y, K3C-4	1		
2	EA00003972A	라디에이터(3.5mm피치)	RADIATOR	1		
3	26014-060252	와셔조립육각볼트(+SW,PW)	Bolt, Hexa (6-25)	2	M06X1.00X02	
4	26106-080162	플랜지볼트8X16	SCREW,HEXFLANGEHEADCAP	7	M8XP1.25X16	
5	TA00040421B	슈라우드	SHROUD	1		
5	TA00040421C	슈라우드	SHROUD	1		
6	HRA1203200A4	태핑나사	TAPPINGSCREW	4		
7	TA00040713B	방진망조합	NET, ASSY	1		
7	TA00040713C	방진망조합	NET, ASSY	1		
8	CA00009493A	고정나사(검정)	FIX BOLT (BLACK)	1		
9	TA00041471B	냉각수보조탱크조합	SUB TANK ASS'Y	1		
9	TA00041471A	냉각수 보조탱크 조합	SUB TANK ASS'Y	1		
10	23980-730250	플로토허스	FLOAT HOSE	1	7.3X250	
11	23980-730800	플루우트호스(에어브리더)	HOSE(AIR BREATHER)	1	D7.3X800	
12	23080-013000	호스 클립	Clamp, Hose (Φ13)	2	D13	
13	TA00049957A	냉각수 호스B	COOLING WATER HOSE B	1		
13	TA00049957B	냉각수 호스B	COOLING WATER HOSE B	1		
14	TA00060727A	냉각수호스A	COOLING WATER HOSE A	1		
15	23010-038000	호스밴드	HOSEBAND	3	D38	
16	23010-040000	호스밴드40	HOSEBAND	1	D40	
17	TA00036706A	냉각팬, DynaQ-C (d=415mm)	Fan, Cooling	1		
18	HRC1201200A4	오일쿨러캡	CAP,COOLER	1		
19	23000-016000	호스클립	Clip, Hose (Φ16)	1	D16	
20	TA00060420A	배기파이프 조합(RESONATOR)	EXHAUST PIPE ASSY(RESONATOR)	1		
21	EA00006088A	가스켓(배기밸브)	GASKET, ASSEMBLE TYPE ELECTRONIC EXHAUST VALVE	2	T2.0	
22	26106-080302	육각플랜지볼트	HEX BOLT, FLANGE	3	M8XP1.25X30	
23	26367-080002	259, 육각플랜지너트	HEX FLANGE NUT (Φ8)	3	M8XP1.25	
24	EA00005795C	전자식배기밸브ASS'Y(조립식)	ELECTRONIC EXHAUST VALVE ASS'Y (ASSEMBLE TYPE)	1		
24	EA00005795B	전자식배기밸브ASS'Y(조립식)	ELECTRONIC EXHAUST VALVE ASS'Y (ASSEMBLE TYPE)	1		

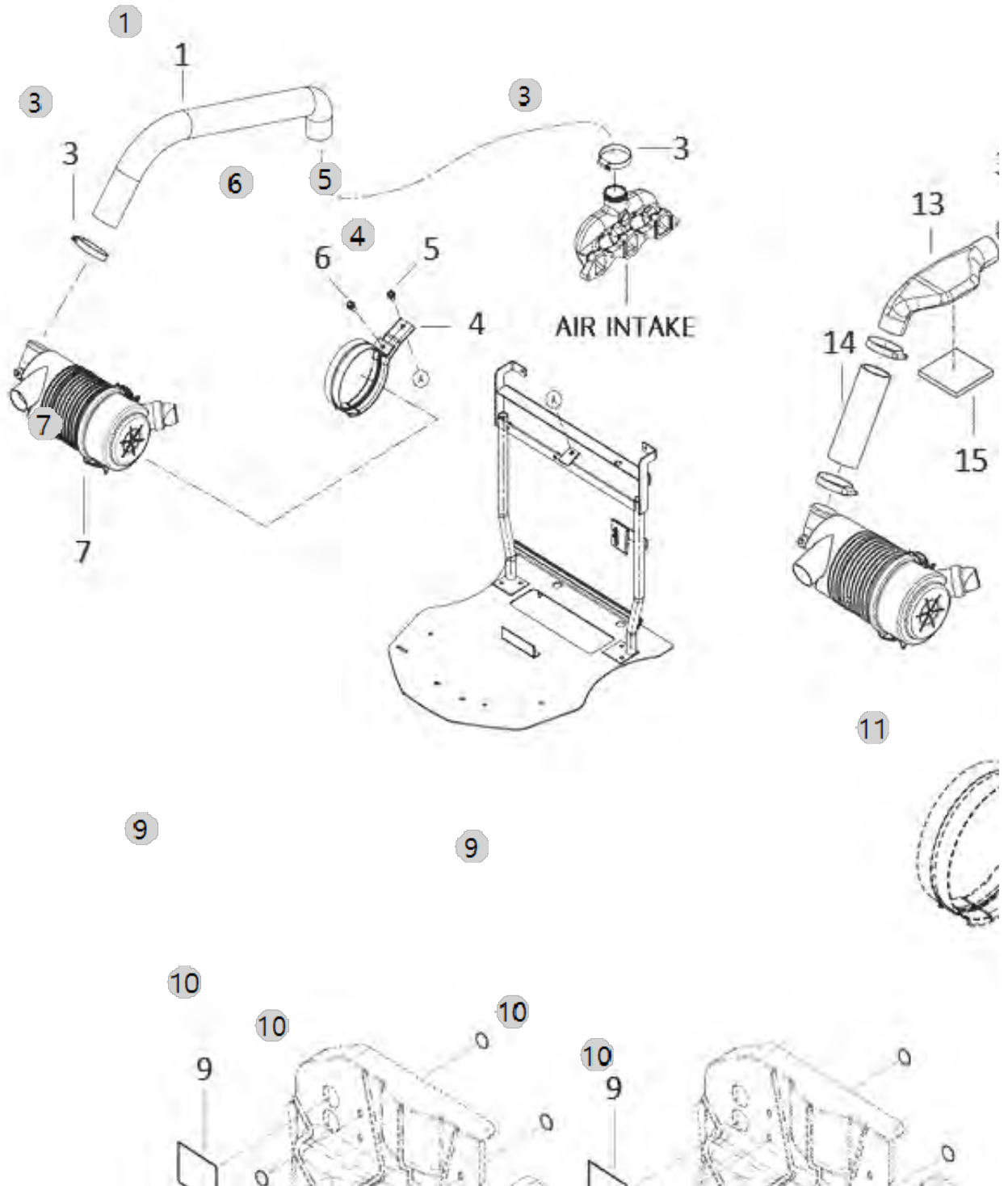
B03010A

F50CHN_EU_FL
(AC02151)

AIR CLEANER

Year/Month

2023-01-18



B03010A F50CHN_EU_FL (AC02151)	AIR CLEANER	Year/Month 2023-01-18
--------------------------------------	-------------	--------------------------

순번 (NO)	부품번호 (PART NO)	품 명 (PART NAME)	품 명 (PART NAME)	수량 (QTY)	규격 (SPEC)	비고 (REMARK)
1	TA00039423C	흡기호스	HOSE	1		
1	TA00039423B	흡기호스	HOSE	1		
3	23000-070000	351,A22,호스클램프70	CLAMP,HOSE	2	D70	
4	TCE7410000B3	브래킷(에어 클리너)	BRACKET(AIR CLEANER)	1	NONE	
4	TCE7410000A3	브래킷(에어크리너)	BRACKET	1		
5	26106-080162	플랜지볼트8X16	SCREW,HEXFLANGEHEADCAP	1	M8XP1.25X16	
6	26106-080202	육각플랜지볼트	SQR FLANGE BOLT	1	M8XP1.25X20	
7	TA00042938A	에어클리너 조합(K3)	AIR CLEANER ASSY	1		
9	TA00054115B	스티커2(슈라우드)	STICKER 2	2		
10	TA00054028B	스티커(슈라우드)	STICKER	4		
11	TA00018661A	스토퍼쿠션	PIPE	2	10T	

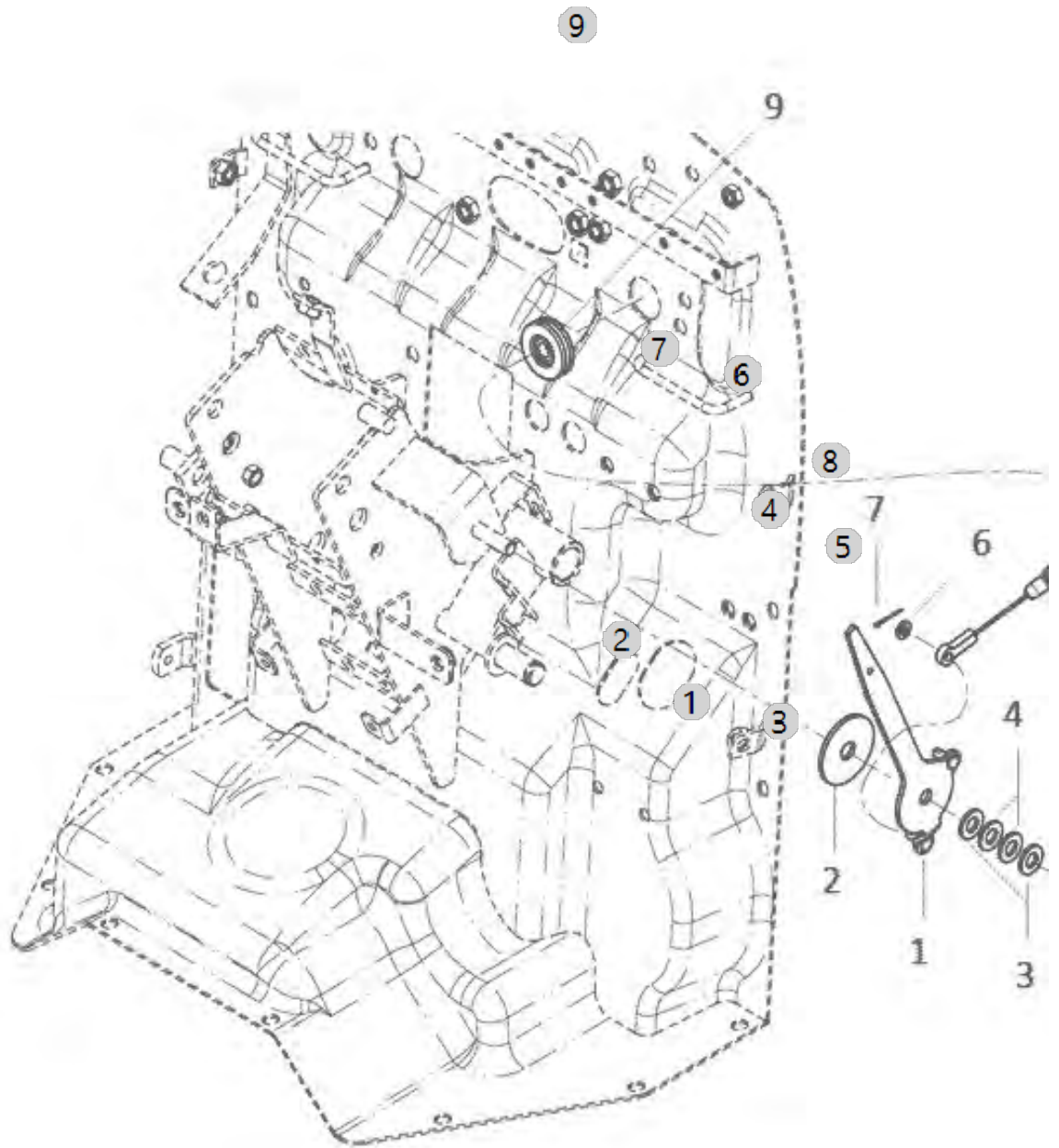
B05011

F50CHN_EU_FL
(AC02151)

LEVER ACCELERATOR

Year/Month

2023-01-18



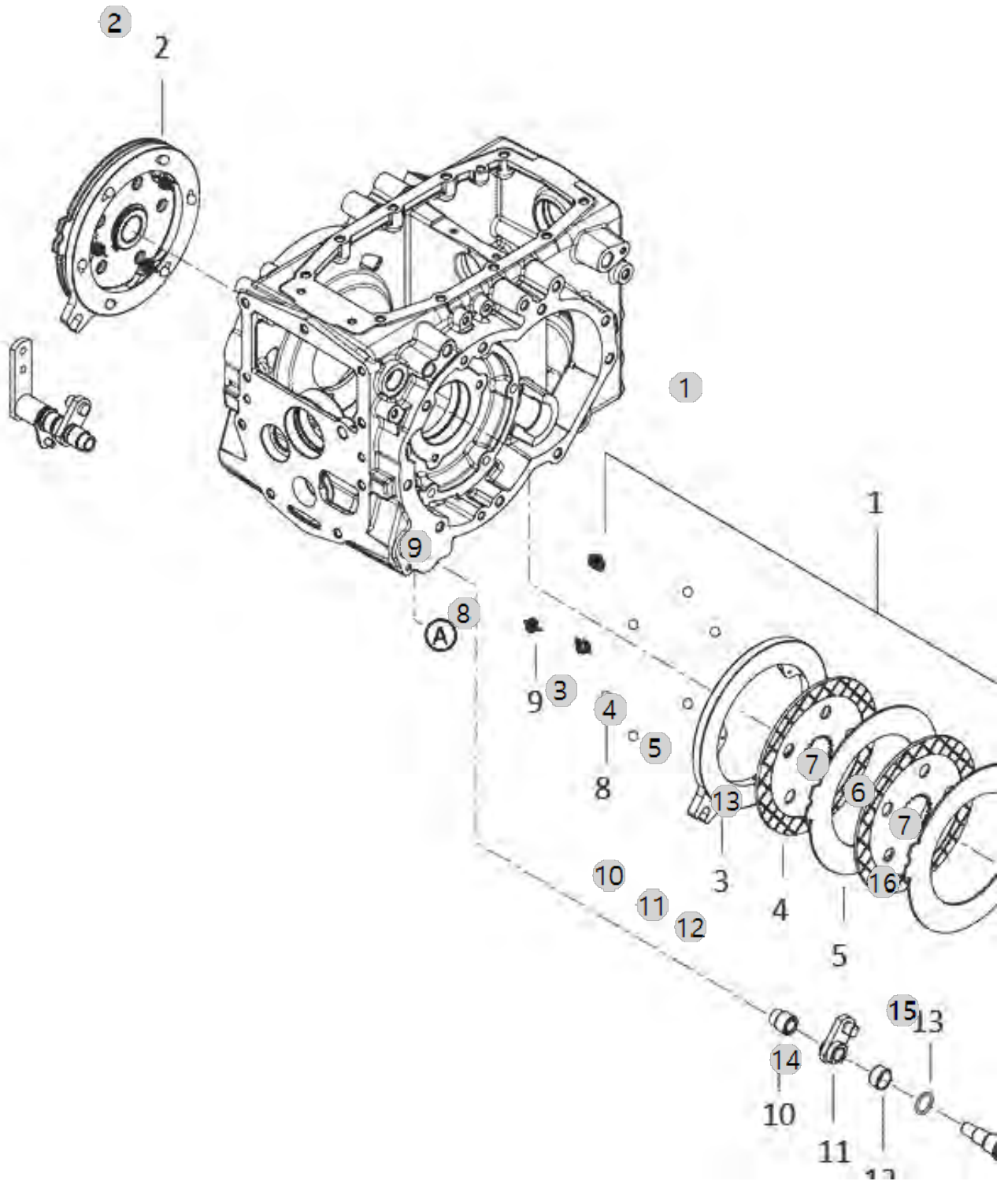
C02000

F50CHN_EU_FL
(AC02151)

BRAKE

Year/Month

2023-01-18



C02000 F50CHN_EU_FL (AC02151)	BRAKE	Year/Month
		2023-01-18

순번 (NO)	부품번호 (PART NO)	품명 (PART NAME)	품명 (PART NAME)	수량 (QTY)	규격 (SPEC)	비고 (REMARK)
1	TA00038592B	브레이크 조합(좌)	BRAKE ASSY (LH)	1		
2	TA00038593B	브레이크 조합(우)	BRAKE ASSY (RH)	1		
3	TA00038520A	캠플레이트(좌)	CAM PLATE (LH)	1		
3	TA00038521A	캠플레이트(우)	CAM PLATE (RH)	1		
4	TA00038495B	디스크	DISK	4		
5	TA00038493A	압력판	PRESSURE PLATE	4		
6	TA00038494A	보스	BOSS	2		
7	22242-000580	축용스냅링58	SNAP RING	4		
8	24190-160001	강구1/2	BALL,STEEL	12		
9	TN50070000A4	스프링	SPRING	6	D2.3	
10	TA00038463C	브레이크 레버 부싱	BRAKE LEVER BUSHING	2		
10	TA00038463B	브레이크 레버 부싱	BRAKE LEVER BUSHING	2		
11	TA00038466C	브레이크 내측 암	BRAKE INNER ARM	2		
11	TA00038466B	브레이크 내측 암	BRAKE INNER ARM	2		
12	24550-025150	BUSH25X15	BUSH 25X15	2	25X15	
13	24311-000250	O-RINGP25	O-RING, DYNAMIC (Φ25)	2		
14	TA00038470A	플레이트	PLATE	2		
14	TA00038470B	플레이트	PLATE	2		
15	26013-080182	와셔조립육각볼트(+SW)	SCREW,CAPTIVEWASHERCAP	2	M8XP1.25X18	
16	TA00038474F	브레이크 레버	BRAKE LEVER	2		
16	TA00038474C	브레이크 레버	BRAKE LEVER	2		
16	TA00038474E	브레이크 레버	BRAKE LEVER	2		
16	TA00038474D	브레이크 레버	BRAKE LEVER	2		

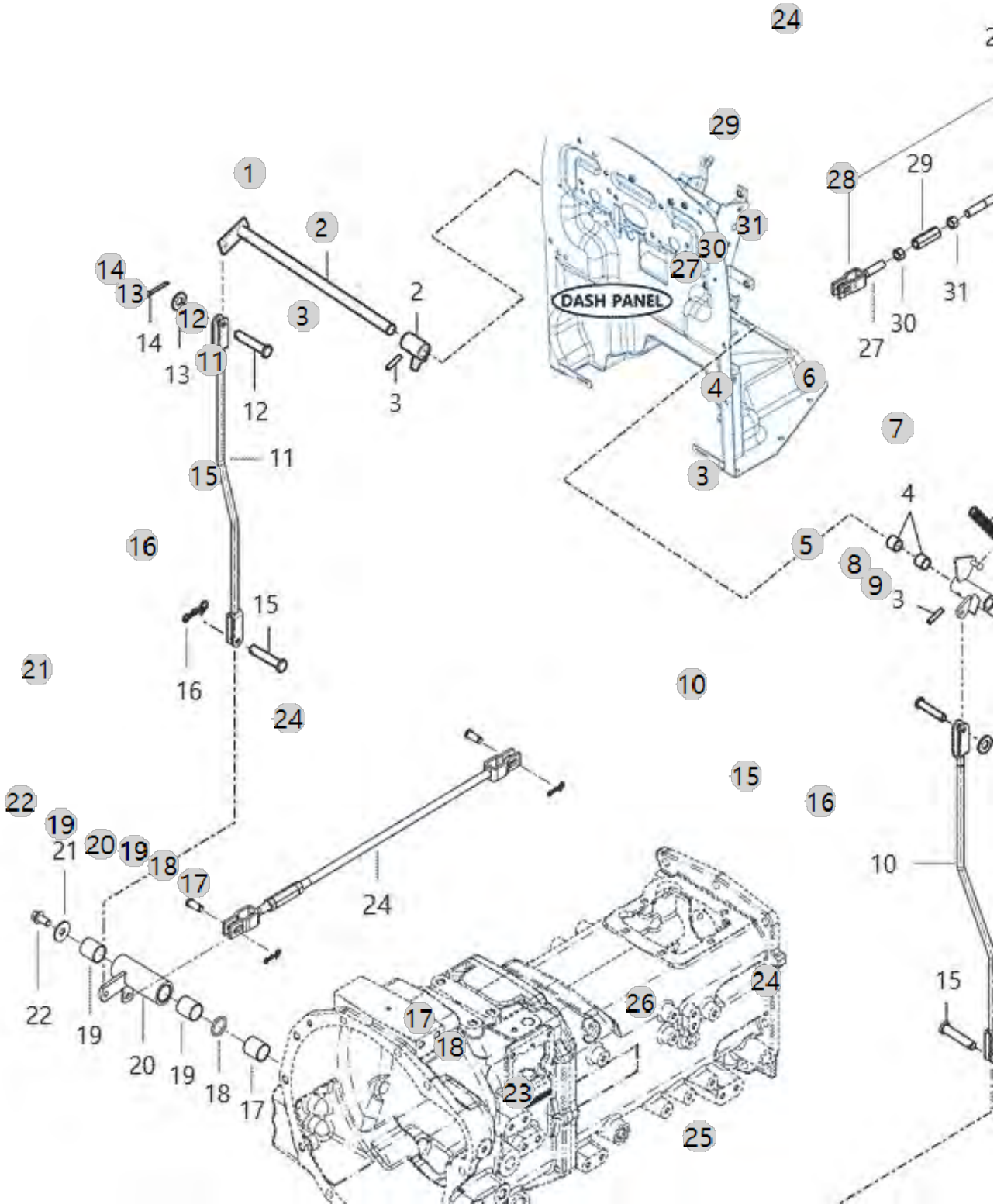
C02010

F50CHN_EU_FL
(AC02151)

BRAKE PEDAL

Year/Month

2023-01-18



C02010 F50CHN_EU_FL (AC02151)		BRAKE PEDAL				Year/Month 2023-01-18
순번 (NO)	부품번호 (PART NO)	품명 (PART NAME)	품명 (PART NAME)	수량 (QTY)	규격 (SPEC)	비고 (REMARK)
1	TA00055998A	암(브레이크)COMP-HST	ARM(BRAKE) COMP-HST	1		
1	TA00055998B	암(브레이크)COMP-HST	ARM(BRAKE) COMP-HST	1		
2	TA00057275B	암(주차브레이크)COMP-HST	ARM(PARKING BRAKE) COMP_HST	1		
2	TA00057275A	암(주차브레이크)COMP-HST	ARM(PARKING BRAKE) COMP_HST	1		
3	22351-080036	스프링핀8X36	PIN, SPRING (8-36)	2	D8X36	
4	TA00051760A	부시(20X23X20)	BUSH , 20X23X20	2		
5	TA00056000A	브레이크페달(HST)	PEDAL COMP , RH BRAKE	1		
5	TA00056000B	브레이크페달(HST)	BRAKE PEDAL, HST	1		
6	TA00052470A	클러치 리턴 스프링	RETURN SPRING , CLUTCH	1		
6	TA00052470B	클러치 리턴 스프링	RETURN SPRING , CLUTCH	1		
7	TA00055564A	패드	PAD	1		
8	22137-200000	평와셔	WASHER , PLAIN	1		
9	22242-000200	축용스냅링20	SNAP RING, SHAFT (Φ 20)	1	D20(축용)	
10	TA00054019A	브레이크 로드(L)	ROD ASSY, BRAKE(L)	1		
10	TA00054019C	브레이크 로드(L)	ROD ASSY, BRAKE(L)	1		
10	TA00054019B	브레이크 로드(L)	ROD ASSY, BRAKE(L)	1		
11	TA00054021A	브레이크 로드(R)	ROD ASSY, BRAKE(R)	1		
11	TA00054021B	브레이크 로드(R)	ROD ASSY, BRAKE(R)	1		
12	TA00051397A	핀	PIN	2		
12	TA00051397B	핀	PIN	2		
13	22137-080000	와셔8	WASHER, PLAIN (Φ 08)	2	M8	
14	22417-200200	할핀	PIN , COTTER (2-20)	2	D1.8	
15	22487-080160	두부핀 8X16	PIN, HEAD (08-16)	2	D8X16	
16	22360-080000	스냅핀8	PIN , SNAP (8Φ)	2	D8	
17	24550-025300	드라이부시	DRY BUSH	2	25X30	
18	24311-000250	O-RINGP25	O-RING, DYNAMIC (Φ25)	2		
19	24550-025300	드라이부시	DRY BUSH	2	25X30	
20	TA00054016C	브레이크 링크(우)조합	BRAKE LINK ASS'Y, RH	1		
20	TA00054016B	브레이크 링크(우)조합	LINK ASSY, BRAKE(R)	1		
21	22157-100000	평와셔	WASHER, PLAIN (Φ 10)	1	M10	
22	26106-100202	육각플랜지볼트	HEX BOLT, (10-20)	1	M10XP1.5X20	
23	TA00054012B	브레이크 축 조합	SHAFT ASSY, BRAKE	1		
23	TA00054012C	브레이크 축 조합	SHAFT ASSY, BRAKE	1		
24	TA00038925D	브레이크 로드 조합	BRAKE ROD ASS'Y	2		
24	TA00038925A	브레이크 로드 조합	ROD ASSY	2		
24	TA00038925C	브레이크 로드 조합	BRAKE ROD ASS'Y	2		
24	TA00038925E	브레이크 로드 조합	BRAKE ROD ASS'Y	2		
24	TA00038925B	브레이크 로드 조합	ROD ASSY	2		
25	22487-100200	두부핀 10X20	PIN, HEAD (10-20)	4	D10X20	
26	RR51230000C4	빠짐방지 스패핀 10	PIN 10, COME-OFF SNAP	4	D1.8	
26	RR51230000B4	빠짐방지 스패핀 10	SNAP PIN	4	D1.8	
26	RR51230000D4	빠짐방지 스패핀 10	PIN 10, COME-OFF SNAP	4	D1.8	
26	RR51230000C	빠짐방치 스패핀 10	SNAP PIN	4		
27	TA00036183D	로드(좌)	ROD ASS'Y L	2		
27	TA00036183A	로드(좌)	ROD ASSY L	2		

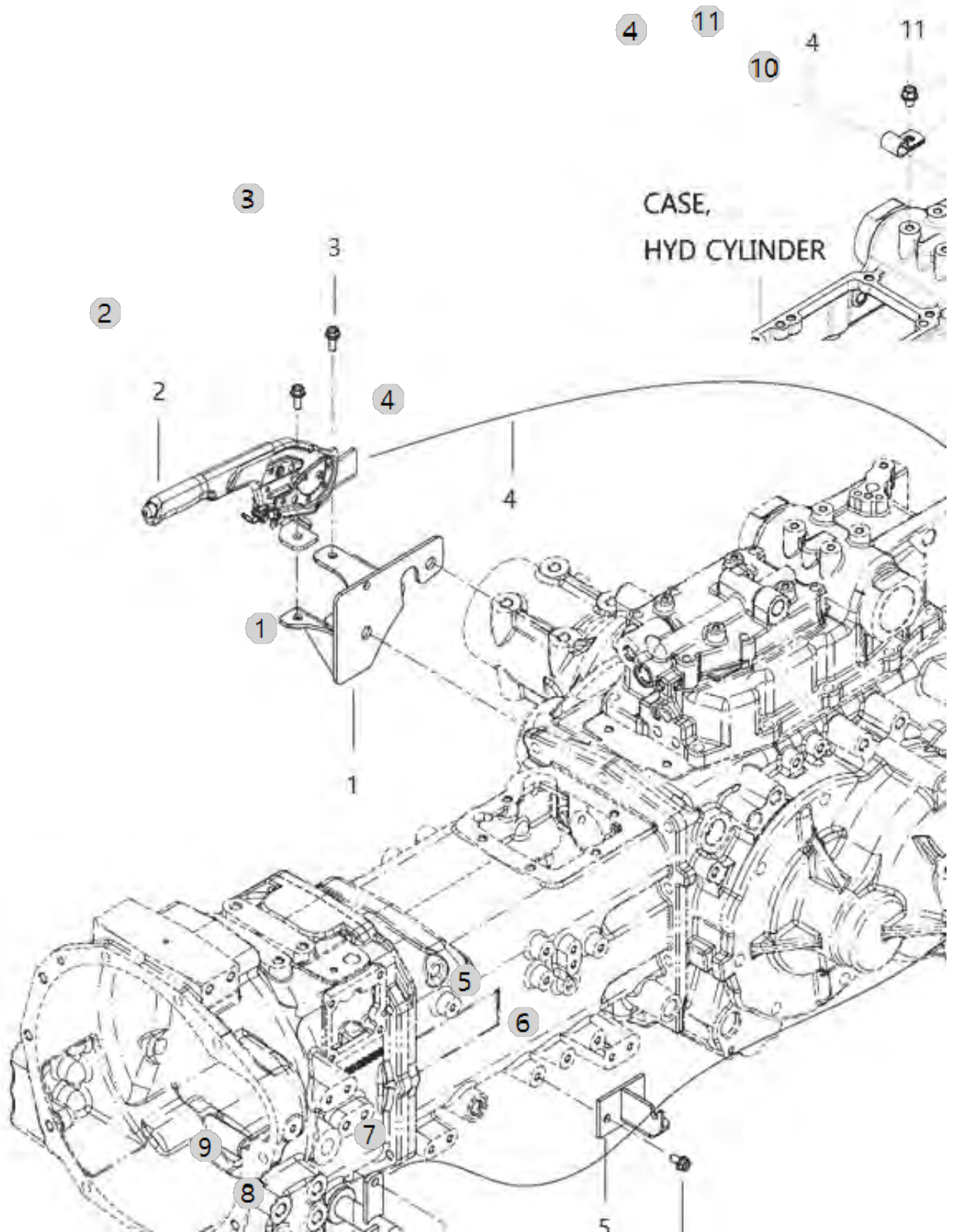
C02050

F50CHN_EU_FL
(AC02151)

PARKING BRAKE

Year/Month

2023-01-18



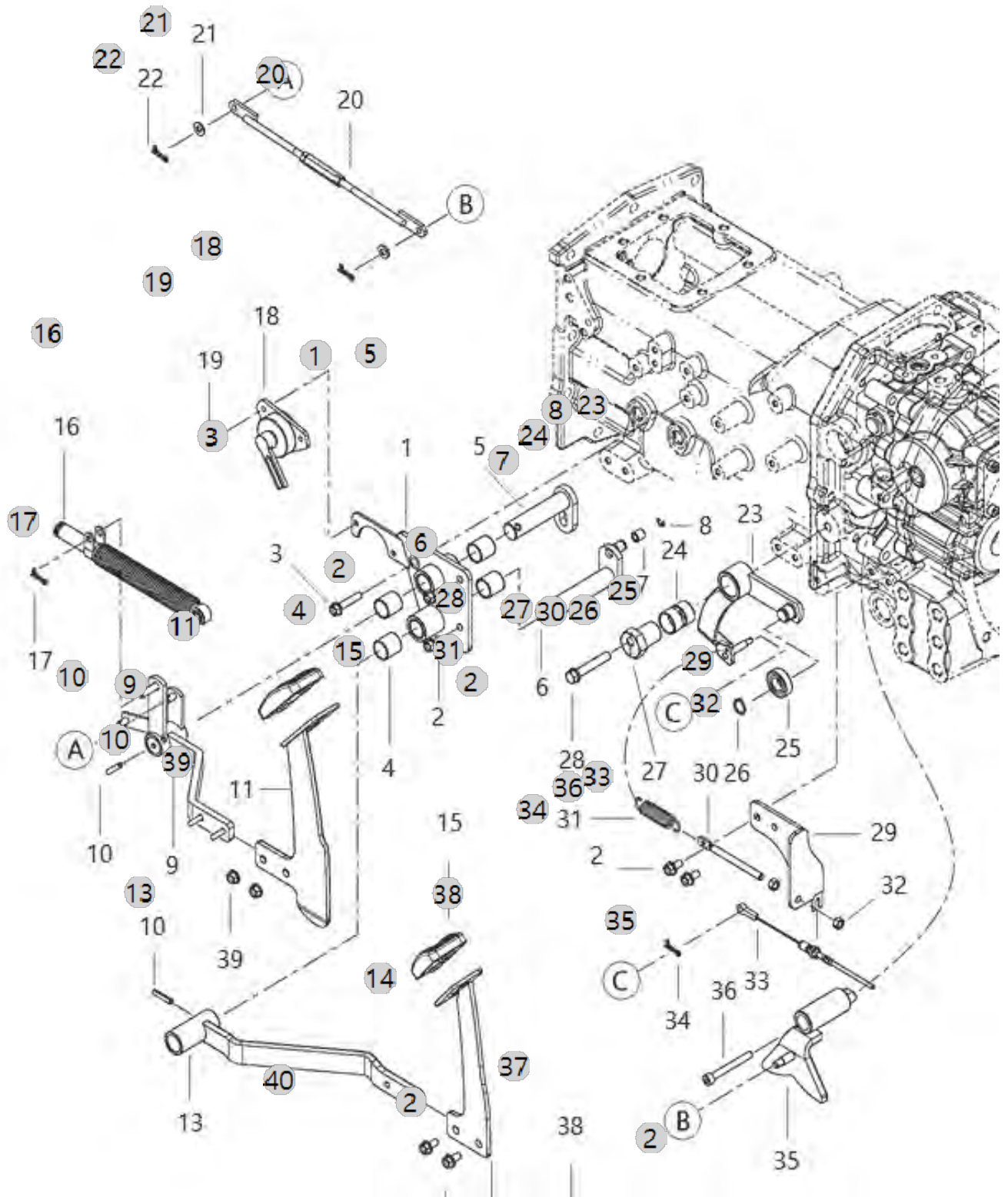
C03010

F50CHN_EU_FL
(AC02151)

HYD SHIFT TRANSMISSION PEDAL

Year/Month

2023-01-18



C03010 F50CHN_EU_FL (AC02151)		HYD SHIFT TRANSMISSION PEDAL				Year/Month 2023-01-18
순번 (NO)	부품번호 (PART NO)	품명 (PART NAME)	품명 (PART NAME)	수량 (QTY)	규격 (SPEC)	비고 (REMARK)
1	TA00054821A	HST페달 브래킷 조합	BRACKET ASSY, PEDAL	1		
1	TA00054821B	HST페달 브래킷 조합	HST PEDAL BRACKET ASS'Y	1		
2	26106-080162	플랜지볼트8X16	SCREW,HEXFLANGEHEADCAP	8	M8XP1.25X16	
3	26106-080402	451,ALL,플랜지볼트	SCREW,HEXFLANGEHEADCAP	1		
4	24550-022250	드라이부시	BUSH	4		
5	TA00042599B	축조합(전진)	SHAFT ASSY(F)	1		
5	TA00042599C	축조합(전진)	SHAFT ASSY(F)	1		
6	TA00042600B	축조합(후진)	SHAFT ASSY(R)	1		
6	TA00042600C	축조합(후진)	SHAFT ASSY(R)	1		
7	TA00033126A	롤러	ROLLER	1		
8	22272-000060	SNAP RING	RING, CIRCLIP (Φ 06)	1	D6	
9	TA00054825C	전진페달조합	PEDAL ASS'Y, FRONT	1		
9	TA00054825B	전진페달조합	PEDAL ASS'Y, FRONT	1		
9	TA00054825D	전진페달조합	FORWAHD PEDAL ASS'Y	1	4215CH	
10	22351-060030	스프링핀	PIN, SPRING (6-30)	2		
11	TA00054831C	전진페달	FRONT PEDAL	1		
11	TA00054831B	전진페달	FRONT PEDAL	1		
12	26106-080162	플랜지볼트8X16	SCREW,HEXFLANGEHEADCAP	2	M8XP1.25X16	
13	TA00054829B	후진페달조합	REVERSE GEAR PEDAL ASS'Y	1		
13	TA00054829A	후진페달조합	PEDAL ASS'Y, REAR	1		
14	TA00054833C	후진페달	REAR PEDAL	1		
14	TA00054833B	후진페달	REAR PEDAL	1		
15	TA00001508A	전후진페달커버	PEDAL COVER	2		
16	RA00007052A	오일댐퍼(한일)	OIL DAMPER(HANIL)	1		
17	RR64050000B	빠짐방지 스톱핀8	SNAP PIN	2		
17	RR64050000C4	빠짐방지 스톱핀 8	PIN 8, COME-OFF SNAP	2	D1.6	
17	RR64050000B4	빠짐방지 스톱핀 8	PIN 8, COME-OFF SNAP	2	D1.6	
18	TCD9110000B2	스위치(FR)	SWITCH ASS'Y	1		
18	TCD9110000D2	스위치(FR)	SWITCH(FR)	1		
18	TCD9110000C2	스위치(FR)	SWITCH(FR)	1		
19	26014-060162	와셔조립육각볼트(+SW,PW)	Bolt, Hexa (6-16)	2	M6XP1.0X16	
20	TA00057926B	HST페달로드조합	ROD ASSY	1		
20	TA00057926A	HST페달로드조합	ROD ASSY	1		
21	22137-080000	와셔8	WASHER, PLAIN (Φ 08)	2	M8	
22	RR64050000B4	빠짐방지 스톱핀 8	PIN 8, COME-OFF SNAP	2	D1.6	
22	RR64050000B	빠짐방지 스톱핀8	SNAP PIN	2		
22	RR64050000C4	빠짐방지 스톱핀 8	PIN 8, COME-OFF SNAP	2	D1.6	
23	TA00054883A	중립 조절 브래킷	ARM ASSY	1		
23	TA00054883C	중립 조절 브래킷	NEUTRAL BRACKET	1		
23	TA00054883B	중립 조절 브래킷	ARM ASSY	1		
24	24550-025150	BUSH25X15	BUSH 25X15	2	25X15	
25	24104-060034	볼베어링6003UU	Bearing, Ball (#6003) Dubble Cap	1	#6003UU	
26	22242-000170	축용스냅링17	SNAP RING, SHAFT (Φ 17)	1	D17(축용)	
27	TA00001830C	축	SHAFT	1	D36	
27	TA00001830B	축	SHAFT	1	D36	

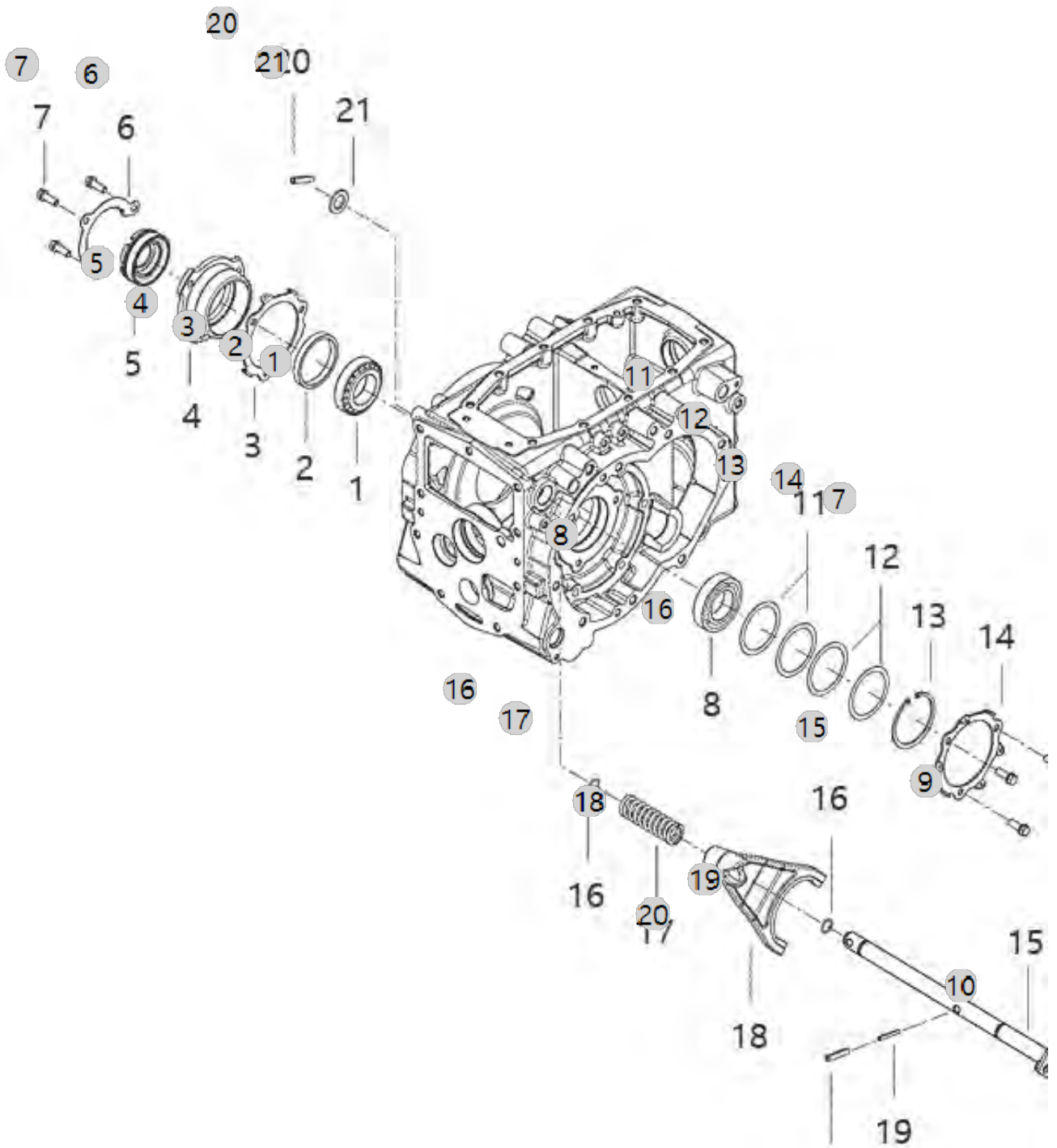
C04040

F50CHN_EU_FL
(AC02151)

DIFFERENTIAL

Year/Month

2023-01-18



C04040 F50CHN_EU_FL (AC02151)		DIFFERENTIAL				Year/Month 2023-01-18
순번 (NO)	부품번호 (PART NO)	품명 (PART NAME)	품명 (PART NAME)	수량 (QTY)	규격 (SPEC)	비고 (REMARK)
1	FGH0220000A4	테이퍼롤러베어링(32210J)	BEARING(32210J)	1		
2	TA00038525A	스페이서	SPACER	1		
3	TA00038662B	스프링홀더	SPRING HOLDER	1		
4	TA00038533A	베어링 서포트	SUPPORT	1		
5	TA00038537A	스크류	SCREW	1		
6	TA00038665B	고정플레이트	FIX PLATE	1		
7	26013-100302	와셔조립육각볼트(+SW)	SCREW,CAPTIVEWASHERCAP	6	M10XP1.5X30	
8	24101-062104	볼베어링6210	BALL BEARING #6210 -> FGF4200000A4	1	#6210	
9	TA00054976B	차동페달	DIFFERENTIAL PEDAL	1		
9	TA00054976A	차동페달	DIFFERENTIAL PEDAL	1		
10	26106-080202	육각플랜지볼트	SQR FLANGE BOLT	2	M8XP1.25X20	
11	TA00038526A	심(0.1T)	SHIM(0.1T)	2		
12	TA00038527A	심(0.2T)	RANER(0.2T)	2		
13	22252-000900	구멍용스냅링90	RING, CIRCLIP (Φ 90)	1	D90	
14	TA00038662B	스프링홀더	SPRING HOLDER	1		
15	TA00054974A	차동페달 조합(K3Ch)	DIFFERENTIAL PEDAL	1		
16	24311-000160	O-링 P 16	O-RING, DYNAMIC (Φ16)	2	P16	
17	TA00038543A	차동장치 스프링	SPRING	1		
18	TA00038685B	차동포크	DIFFERENTIAL FORK	1		
18	TA00038685D	차동포크	DIFFERENTIAL FORK	1		
18	TA00038685C	차동포크	DIFFERENTIAL FORK	1		
19	22351-050040	스프링핀5X40	PIN, SPRING (5-04)	1	D5X40	
20	22351-080040	스프링핀8X40	PIN, SPRING (8-40)	2	D8X40	
21	22117-200000	평와셔	WASHER	1	M20	

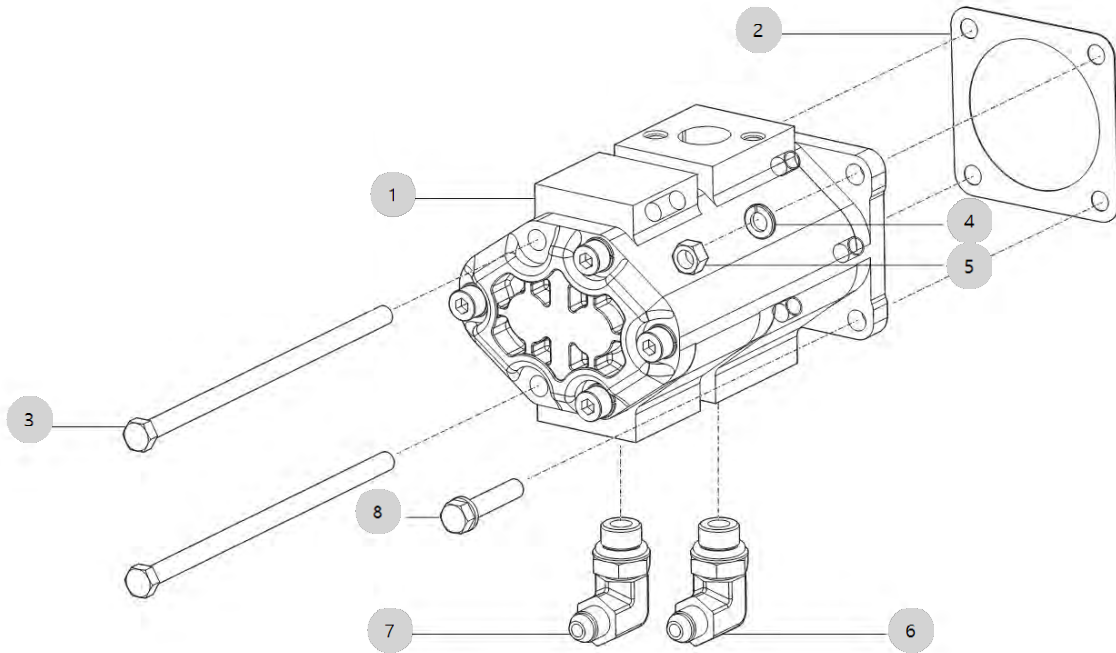
D01010B

F50CHN_EU_FL
(AC02151)

HYD PUMP

Year/Month

2023-01-18



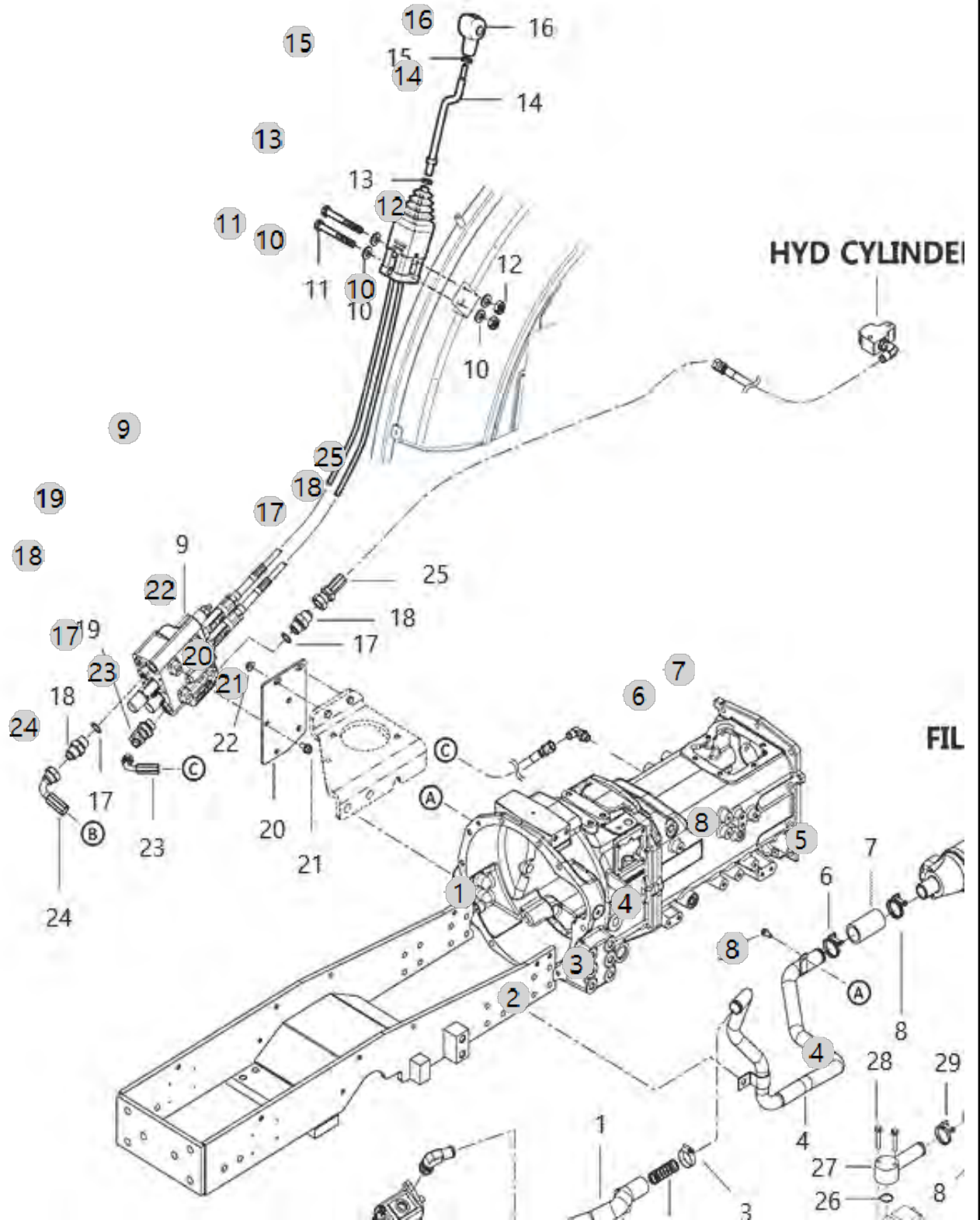
D01020A

F50CHN_EU_FL
(AC02151)

LOW PRESSURE PIPE

Year/Month

2023-01-18



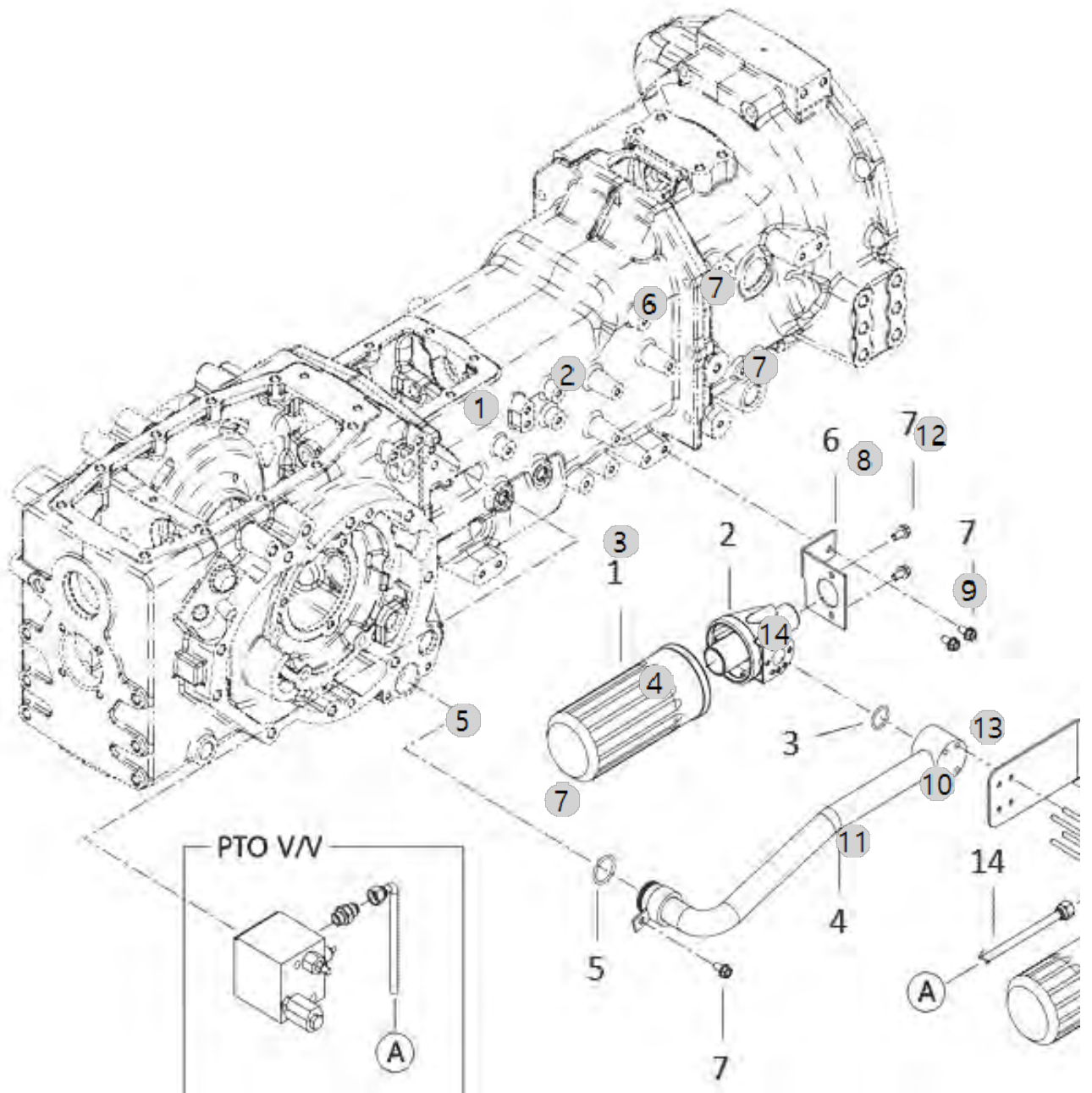
D01040

F50CHN_EU_FL
(AC02151)

HYD FILTER

Year/Month

2023-01-18



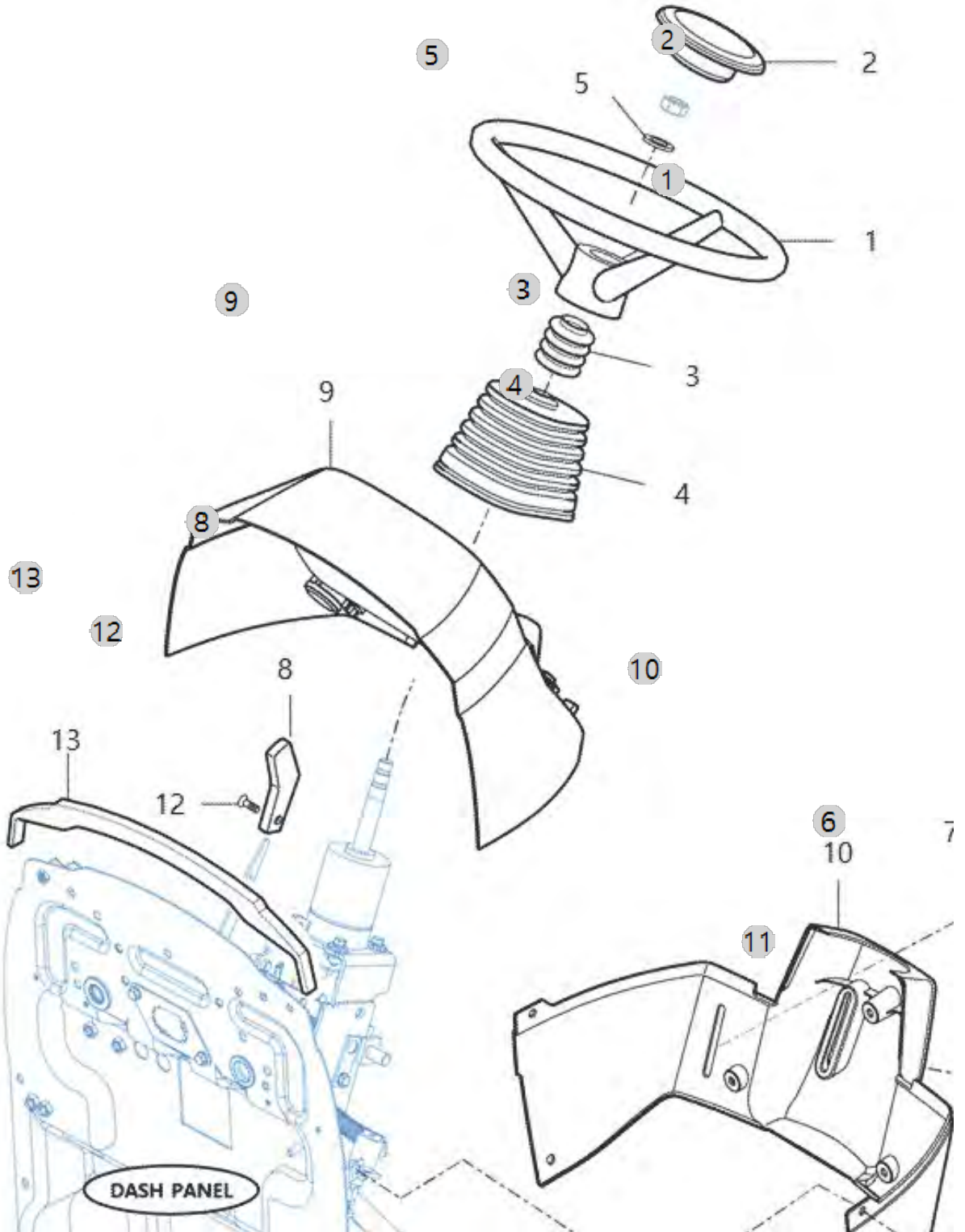
D02010

F50CHN_EU_FL
(AC02151)

STEERING COLUMN

Year/Month

2023-01-18



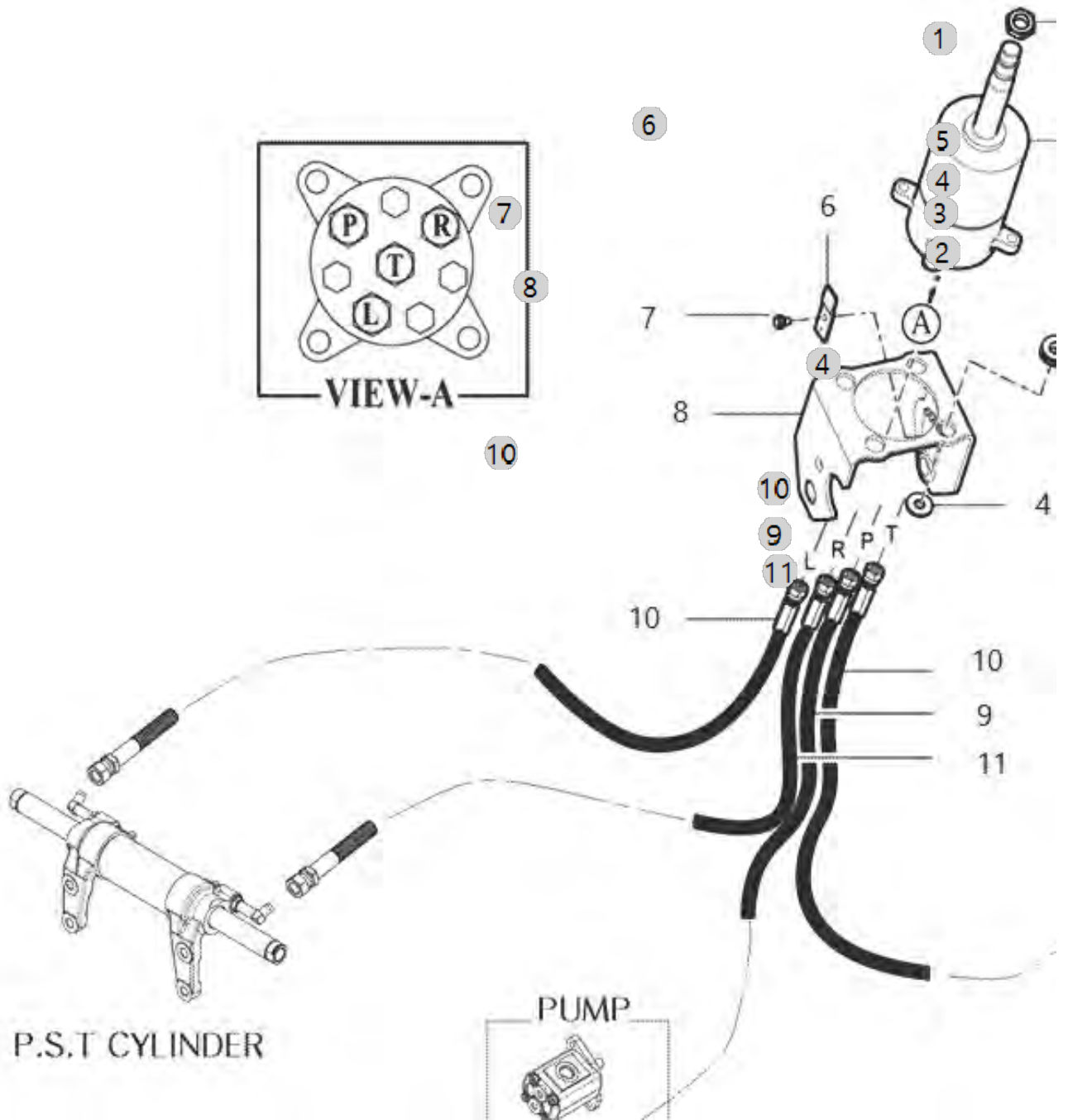
D02030

F50CHN_EU_FL
(AC02151)

P.S.T HOSE

Year/Month

2023-01-18



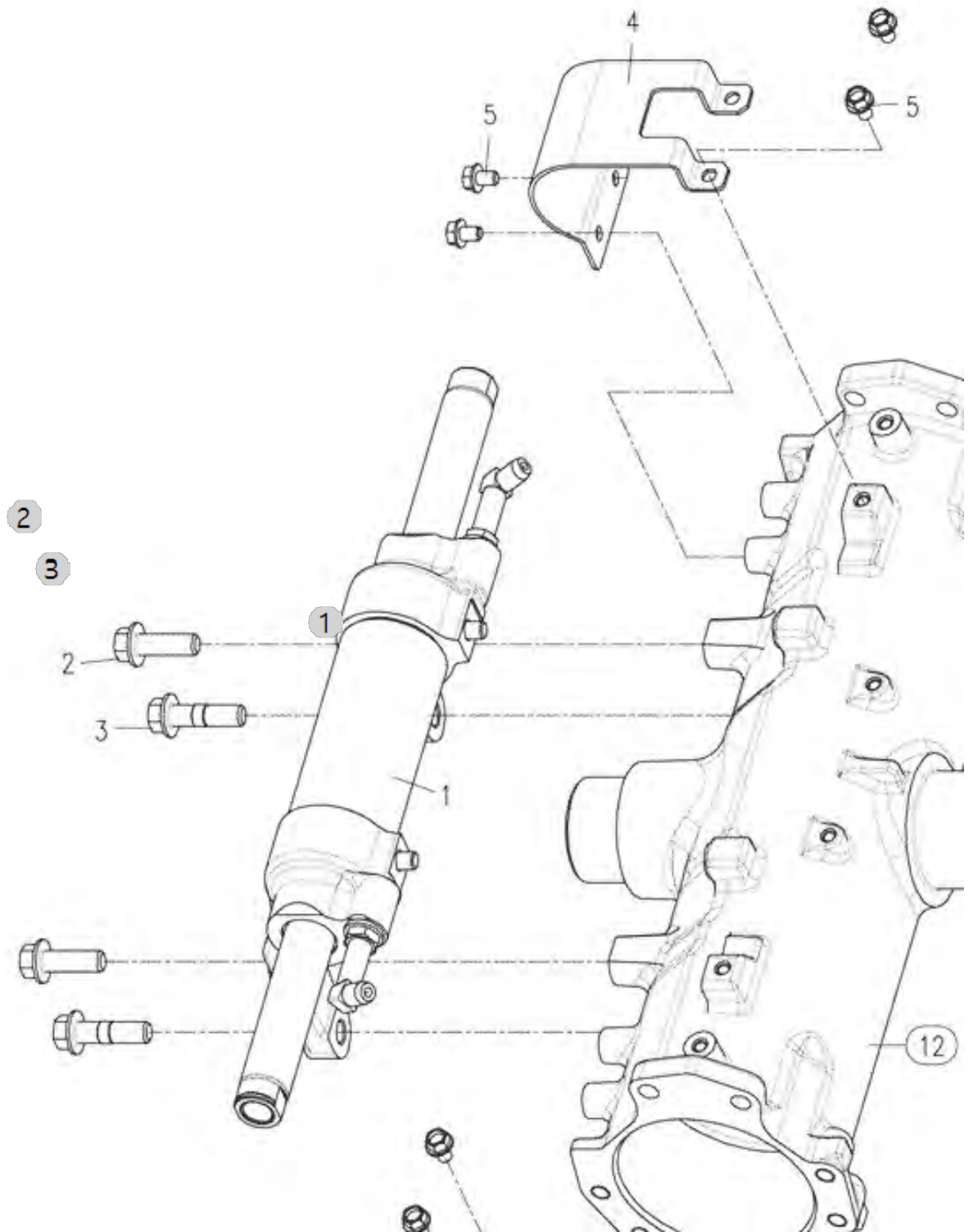
D02040A

F50CHN_EU_FL
(AC02151)

P.S.T CYLINDER

Year/Month

2023-01-18



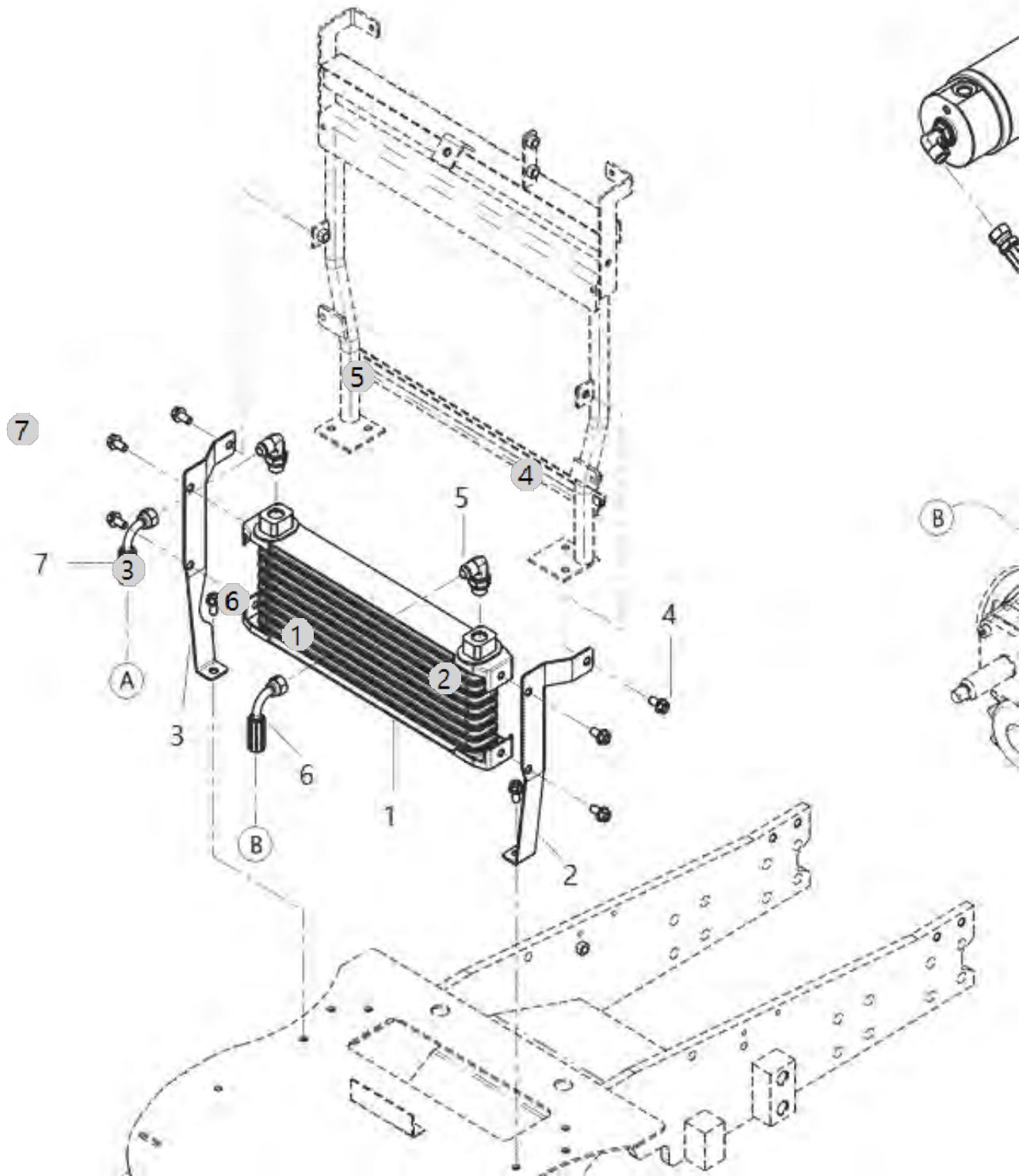
D03010

F50CHN_EU_FL
(AC02151)

OIL COOLER

Year/Month

2023-01-18



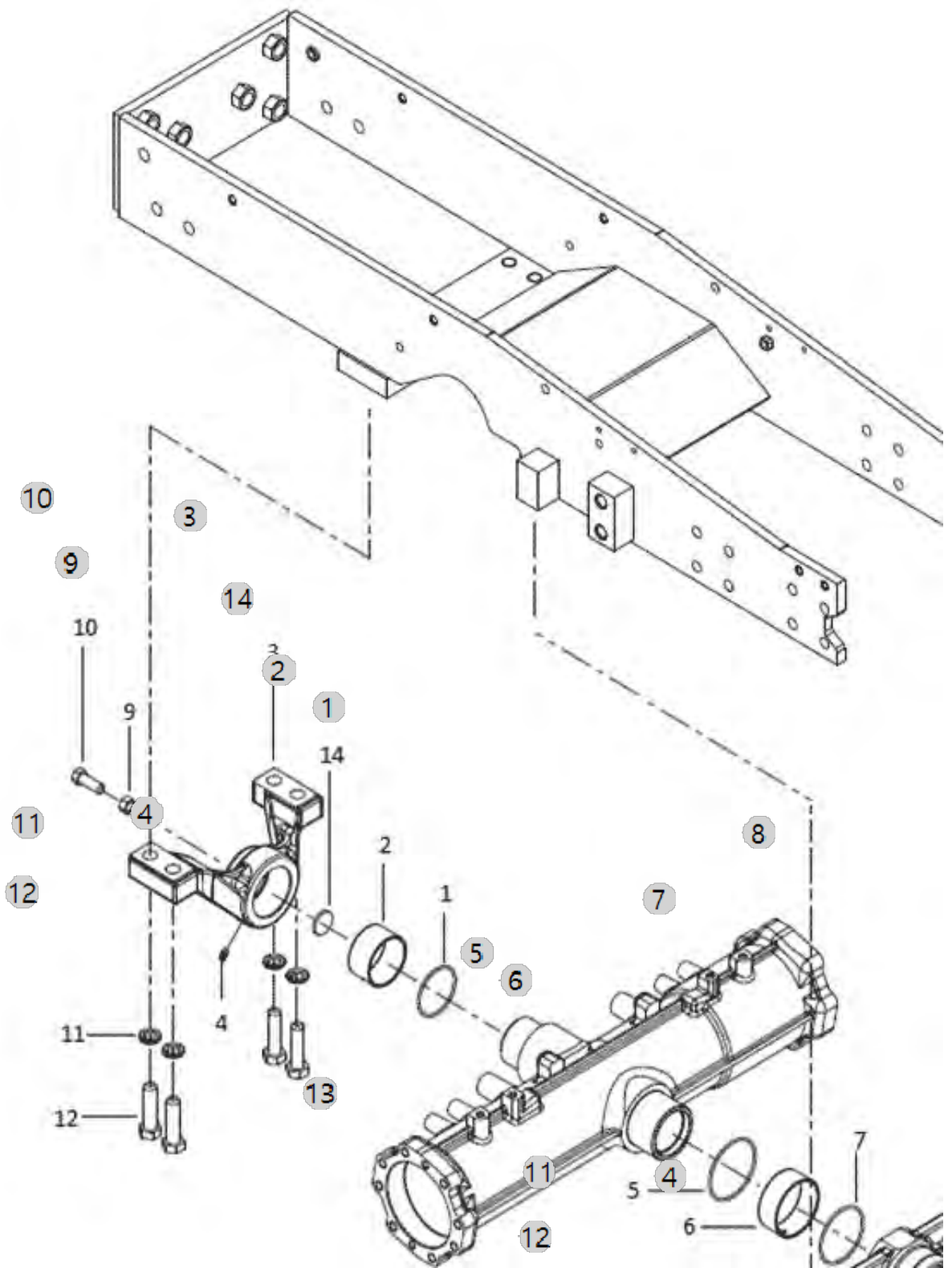
E01010A

F50CHN_EU_FL
(AC02151)

FRONT AXLE CASE

Year/Month

2023-01-18



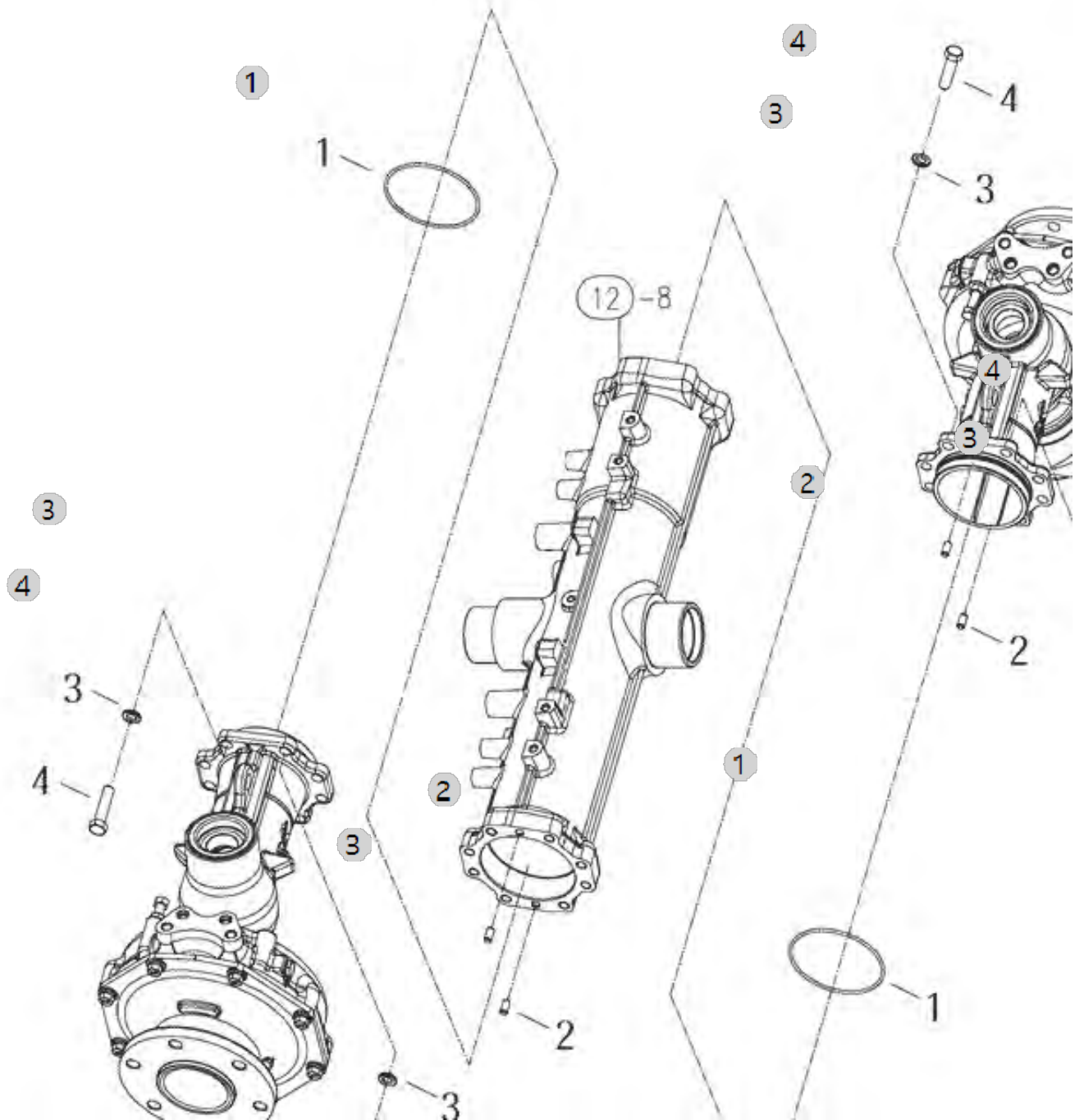
E01013

F50CHN_EU_FL
(AC02151)

SPACER

Year/Month

2023-01-18



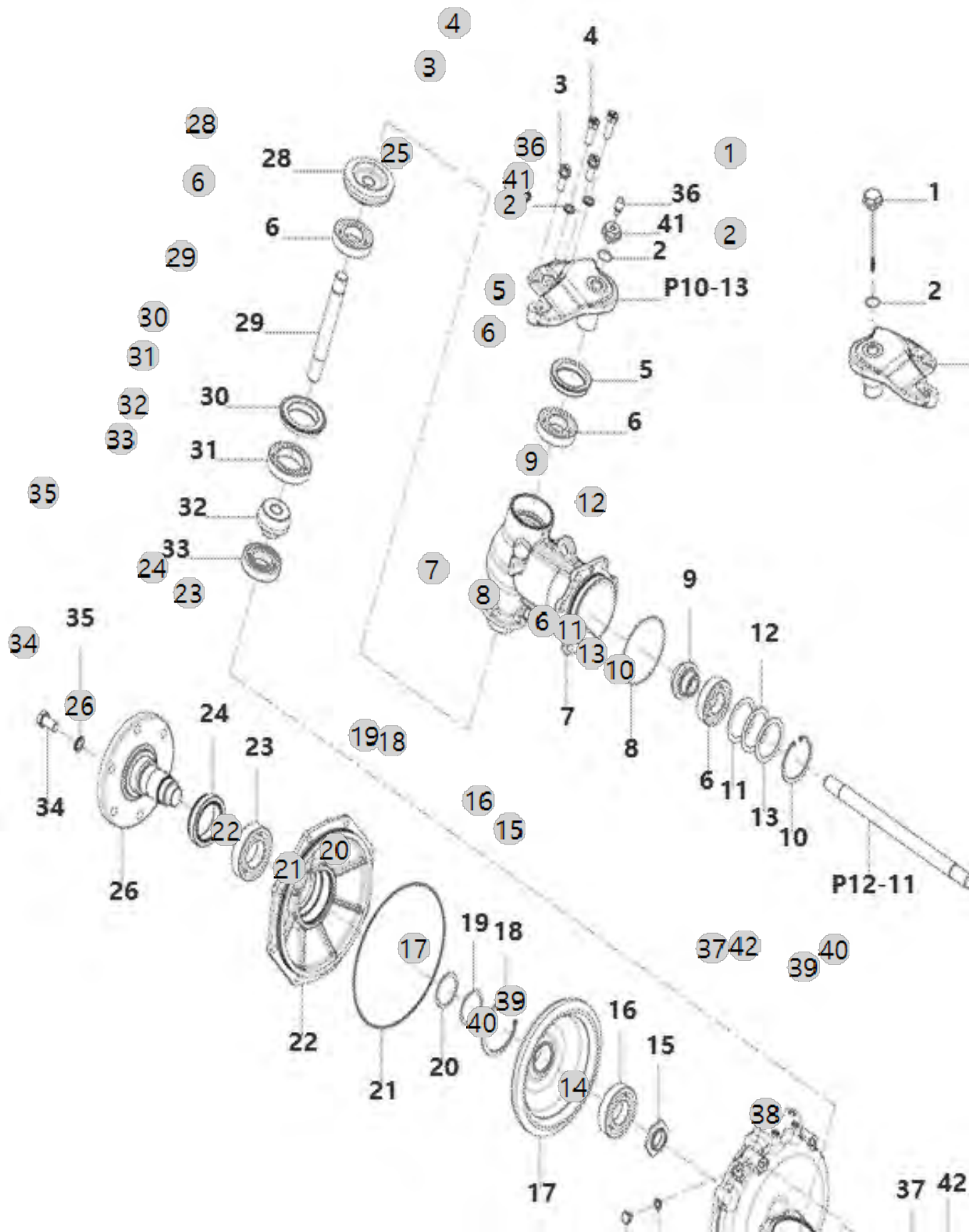
E01030A

F50CHN_EU_FL
(AC02151)

GEAR CASE, FRONT AXLE

Year/Month

2023-01-18



E01030A F50CHN_EU_FL (AC02151)		GEAR CASE, FRONT AXLE				Year/Month 2023-01-18
순번 (NO)	부품번호 (PART NO)	품명 (PART NAME)	품명 (PART NAME)	수량 (QTY)	규격 (SPEC)	비고 (REMARK)
1	TA00041646A	검유봉	DIP STICK	1		
2	24311-000220	O-RING1AP-22.0	O-RING, DYNAMIC (Φ22)	2	1A P22.0	
3	TA00033468C	와셔조립육각볼트	BOLT W/ WASHER	4		
3	TA00033468B	와셔조립육각볼트	BOLT W/ WASHER	4		
4	TA00033475B	리머볼트	SPACER	4		
4	TA00033475A	리머볼트	RIMER BOLT	4		
5	FE78010000B	오일실 (특수) 55x72x13.5	OIL SEAL (55X72X13.5)	2	55X72X13.5	
6	24101-062074	볼베어링6207	BALL BEARING (#6207)	6	#6207	
7	TA00041533B	프런트기어케이스	FRONT GEAR CASE L	2		
8	24321-001050	O-링	O-RING	2		
9	TA00033461B	전1축피니언9T	PINION, FRONT 1ST SHAFT	2		
9	TA00033461A	전1축피니언9T	PINION, FRONT 1ST SHAFT	2		
10	22252-000720	구멍용스냅링72	RING, CIRCLIP (Φ 72)	2	D72	
11	TA00033489A	심 0.2T	SHIM 0.2T	2		
12	TA00033488A	심 0.3T	SHIM 0.3T	2		
13	TA00033487A	심 0.5T	SHIM 0.5T	2		
14	TA00033458B	프런트기어박스	GEAR BOX, FRONT	2		
15	TA00033481A	로크너트	LOCK NUT	2		
16	24101-062084	볼베어링6208	Bearing, Ball (#6208)	2	#6208	
17	TA00033474A	베벨기어 49T	GEAR, BEVEL 49T	2		
18	22252-000850	써클립85H	RING, CIRCLIP (Φ 85)	2		
19	TA00033486A	심 0.2T	SHIM 0.2T	1		
20	TA00033485A	심 0.5T	SHIM 0.5T	1		
21	TA00033939A	O링	O RING	2		
22	TA00033459B	프런트베어링케이스	BEARING CASE, FRONT	1		
23	24101-062094	볼베어링6209	BALL BEARING (#6209)	2	#6209	
24	TA00041359A	오일실	OILSEAL	2		
25	22217-120000	스프링와셔	WASHER, SPRING (Φ 12)	2	M12	
26	TA00033460D	프런트스핀들	SPINDLE, FRONT	2		
26	TA00033460B	프런트스핀들	SPINDLE, FRONT	2		
26	TA00033460E	프런트스핀들	SPINDLE, FRONT	2		
27	TA00033469A	와셔조립육각볼트	BOLT W/ WASHER	16		
27	TA00033469B	와셔조립육각볼트	BOLT W/ WASHER	16		
28	TA00033463A	전2축기어	FRONT 2ND AXLE LH	2		
29	TA00033464A	전2축	FRONT 2ND SHAFT	2		
30	TC60110000A3	오일실(AJ)	SEAL, OIL	2		
31	24101-060104	볼베어링6010	Bearing, Ball (#6010)	2	#6010	
32	TA00033473A	베벨기어 11T	GEAR, BEVEL 11T	2		
33	TC60340000A4	베어링TM207C3	BEARING(TM207C3)	2	TM207C3	
34	TD23120000A4	보울트(M14X28)	BOLT	12	M14XP1.5	
34	TD23120000B4	프런트 허브 볼트(M14X28)	BOLT	12	M14XP1.5	
35	22217-140000	스프링와셔14	WASHER, SPRING (Φ 14)	12	M14	
36	TA00049842A	에어브리더(STEEL)	AIR BREATHER	1		
36	TA00049842B	에어브리더(STEEL)	AIR BREATHER	1		
37	TA00058880A	스톱퍼(30.5)	STOPPER(30.5)	2		

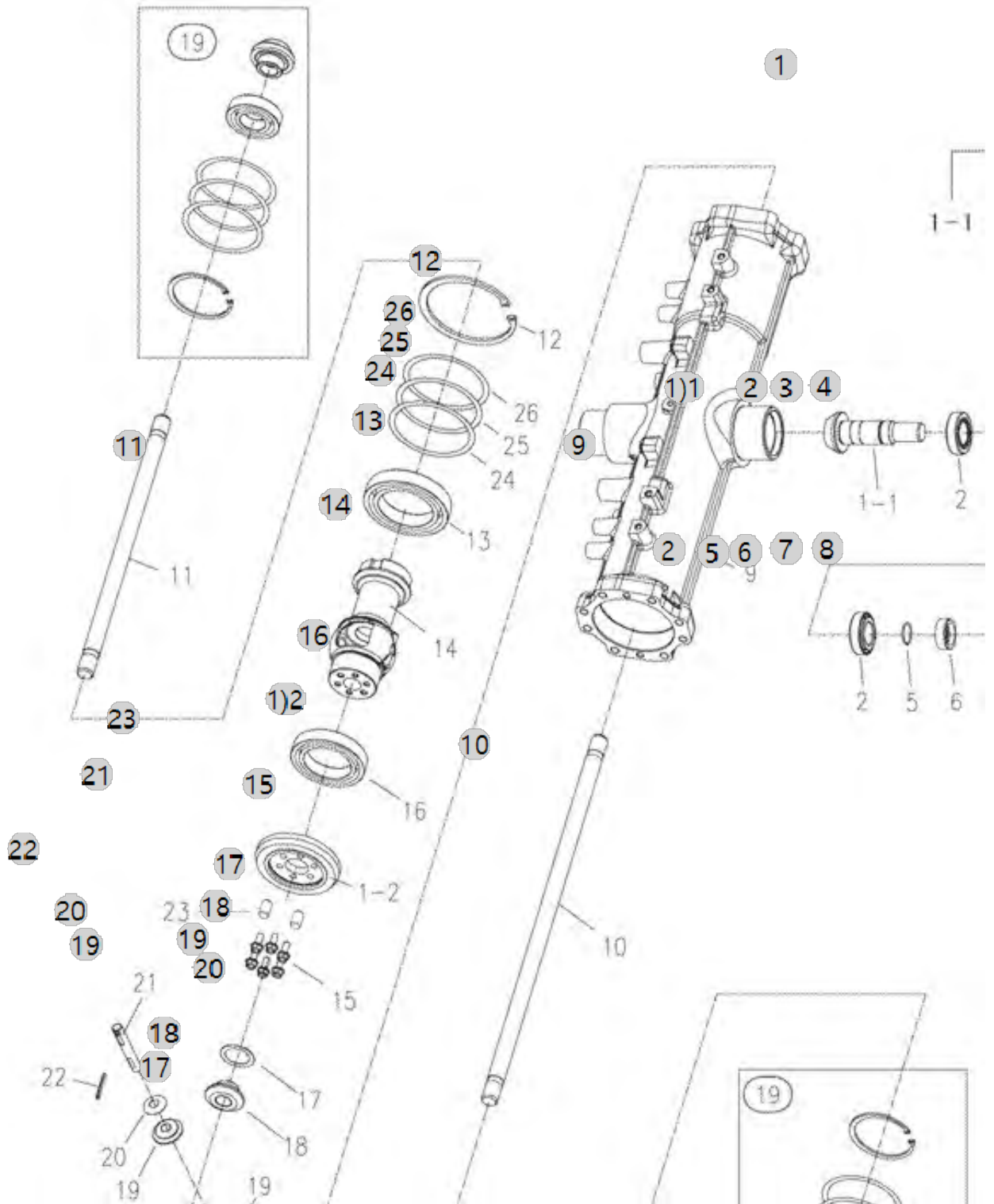
E01070A

F50CHN_EU_FL
(AC02151)

FRONT DRIVE SHAFT

Year/Month

2023-01-18



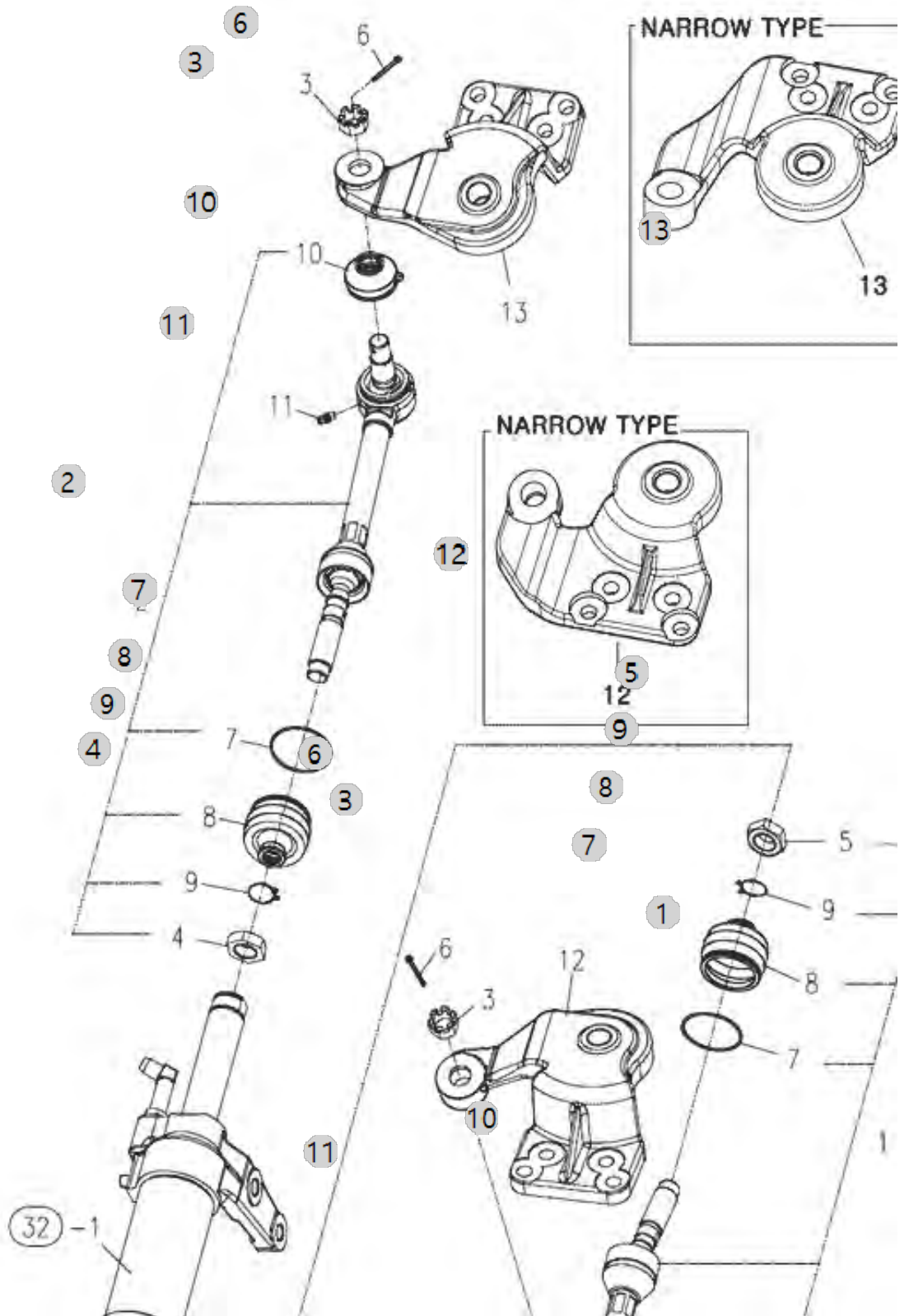
E01080A

F50CHN_EU_FL
(AC02151)

TIE ROAD

Year/Month

2023-01-18



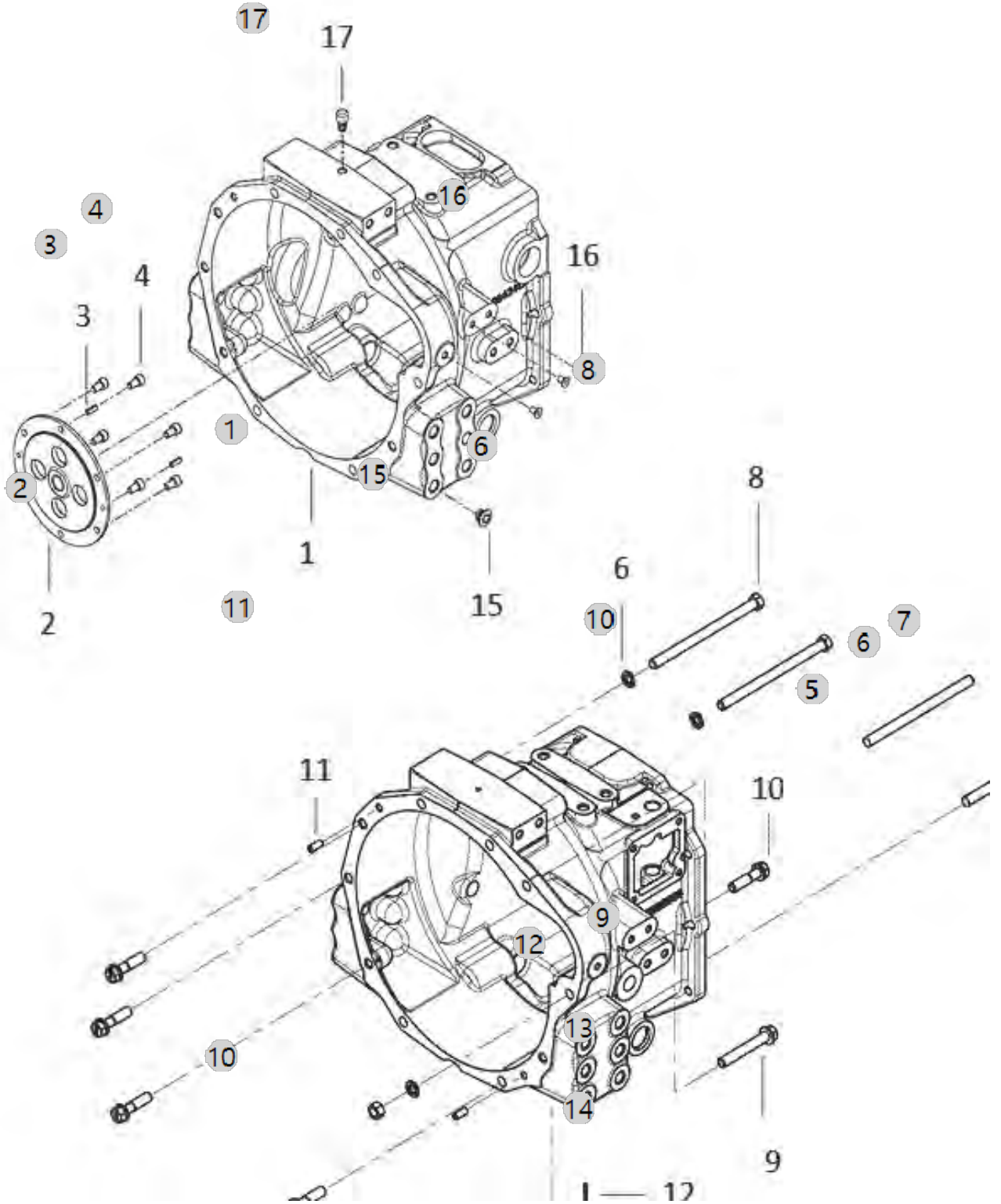
F01010

BRANSON K3CH
TM_EU(AC01568)

CLUTCH HOUSING

Year/Month

2023-01-18



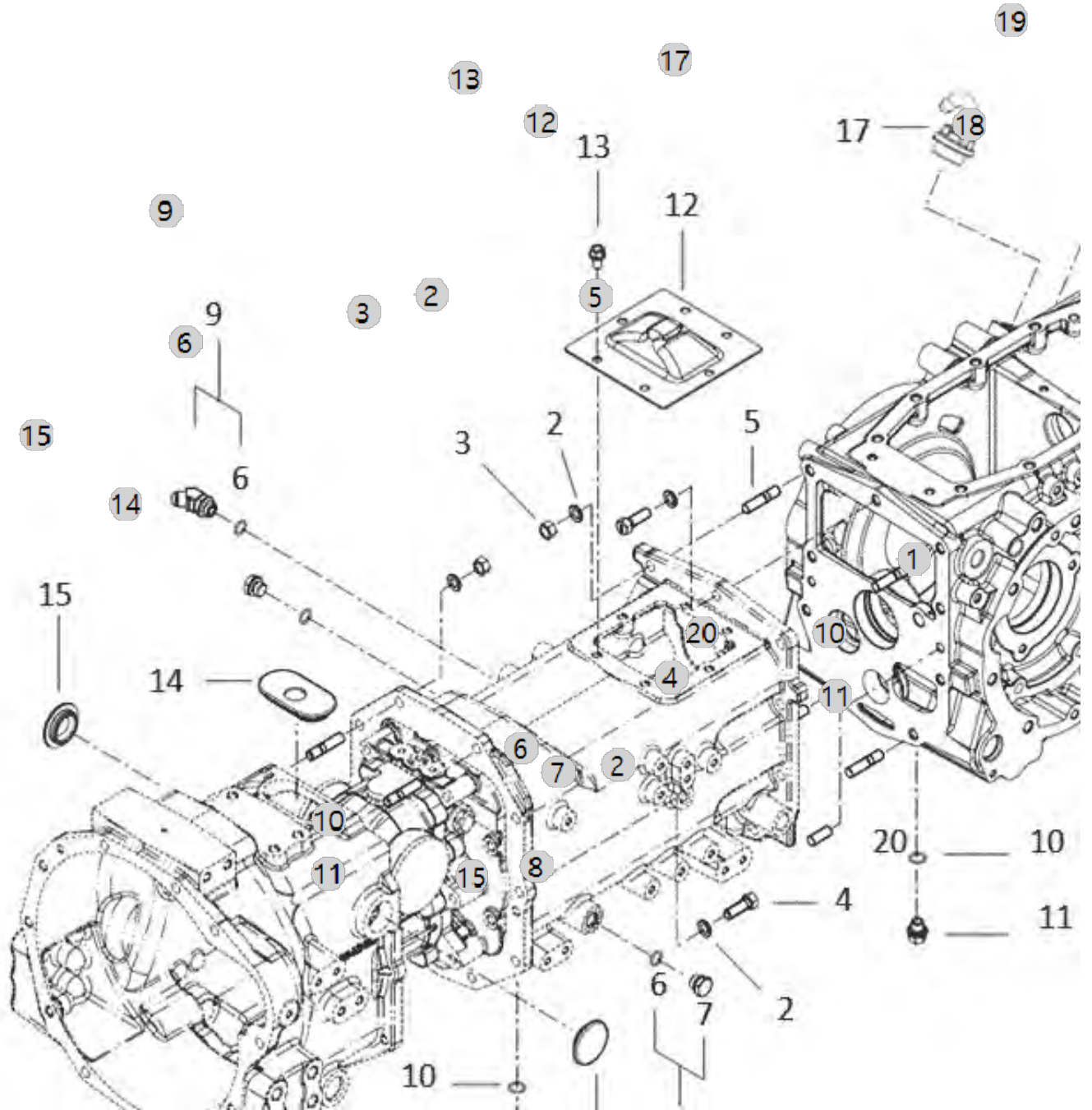
F01020

BRANSON K3CH
TM_EU(AC01568)

TRANSMISSION CASE

Year/Month

2023-01-18



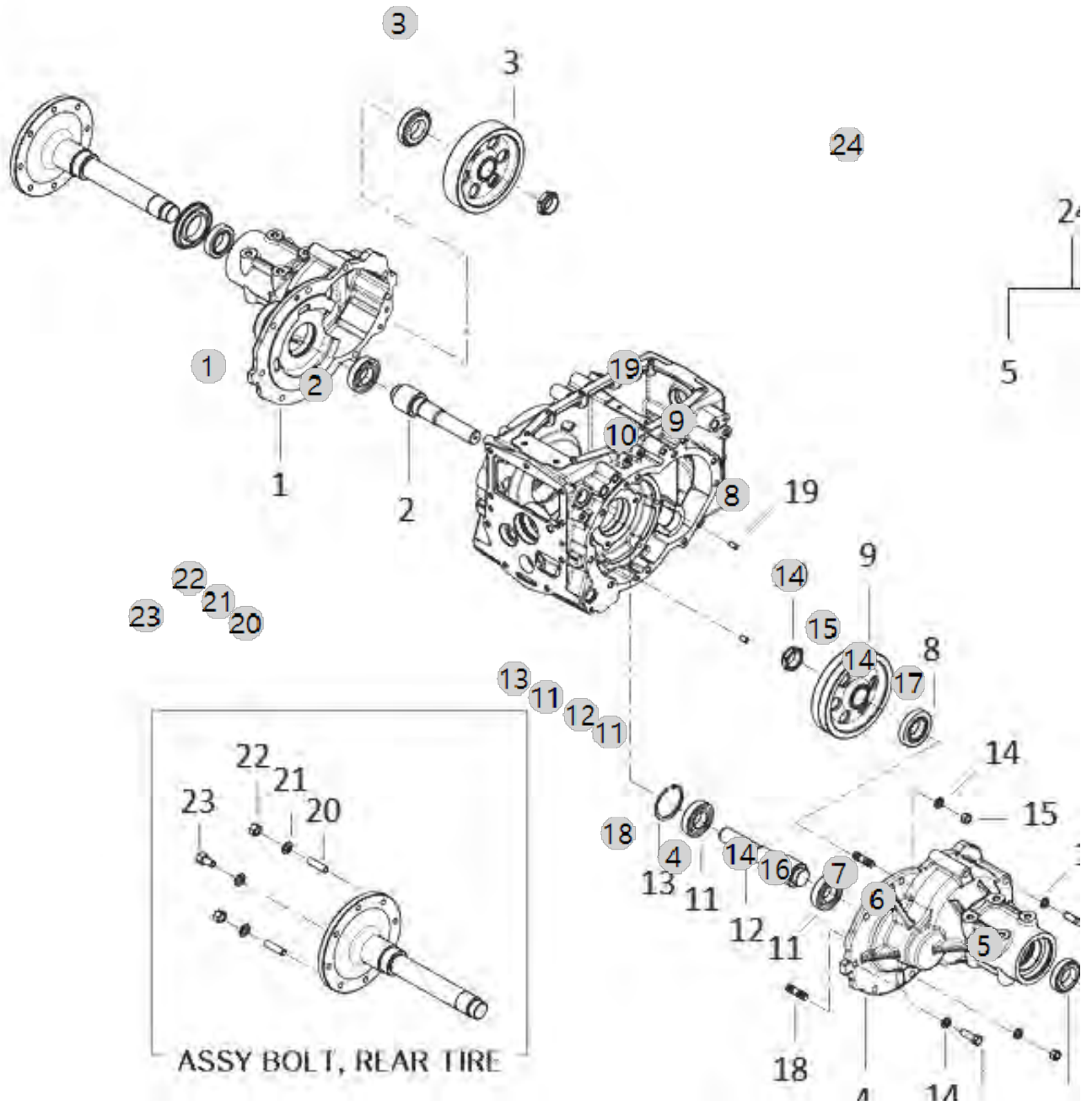
F01030

BRANSON K3CH
TM_EU(AC01568)

REAR AXLE HOUSING

Year/Month

2023-01-18



F01030 BRANSON K3CH TM_EU(AC01568)		REAR AXLE HOUSING				Year/Month 2023-01-18
순번 (NO)	부품번호 (PART NO)	품명 (PART NAME)	품명 (PART NAME)	수량 (QTY)	규격 (SPEC)	비고 (REMARK)
1	TA00038690C	후차축하우징(R)	REAR AXLE HOUSING R	1		
1	TA00038690B	후차축하우징(R)	REAR AXLE HOUSING R	1		
1	TA00038690D	후차축하우징(R)	REAR AXLE HOUSING R	1		
1	TA00038690E	후차축하우징(R)	REAR AXLE HOUSING R	1		
1	TA00038690G	후차축하우징(R)	REAR AXLE HOUSING R	1		
2	TA00038395B	파이널 피니언(우)	FINAL_REAR_PINION(R)	1		
2	TA00038395C	파이널 피니언(우)	FINAL_REAR_PINION(R)	1		
2	TA00038395D	파이널 피니언(우)	FINAL_REAR_PINION(R)	1		
2	TA00038395E	파이널 피니언(우)	FINAL_REAR_PINION(R)	1		
3	TA00038393B	파이널기어(우)	FINAL_REAR_GEAR (R)	1		
3	TA00038393C	파이널기어(우)	FINAL_REAR_GEAR (R)	1		
4	TA00038689C	후차축하우징(좌)	REAR AXLE HOUSING L	1		
4	TA00038689B	후차축하우징(좌)	REAR AXLE HOUSING L	1		
4	TA00038689D	후차축하우징(좌)	REAR AXLE HOUSING L	1		
4	TA00038689E	후차축하우징(좌)	REAR AXLE HOUSING L	1		
4	TA00038689G	후차축하우징(좌)	REAR AXLE HOUSING L	1		
5	TA00038361C	후차축	REAR AXLE SHAFT	2		
5	TA00038361B	후차축	REAR AXLE SHAFT	2		
5	TA00038361D	후차축	REAR AXLE SHAFT	2		
6	TA00033423A	오일실(후차축)	SEAL, OIL (REAR AXLE)	2		
7	24141-320090	테이퍼롤러베어링	TAPER ROLLER BEARING	2	NONE	
8	24141-302090	테이퍼롤러베어링	BEARING	2	NONE	
9	TA00038359B	파이널기어(좌)	FINAL RING GEAR	1		
9	TA00038359C	파이널기어(좌)	FINAL RING GEAR	1		
10	TA00038354A	로크너트	LOCK NUT	2		
10	TA00038354B	락너트(K3)	LOCK NUT	2		
11	TT21040000A4	볼베어링(TMB208)	BEARING	4	TMB208	
12	TA00038394B	파이널 피니언(좌)	FINAL_REAR_PINION(L)	1		
12	TA00038394C	파이널 피니언(좌)	FINAL_REAR_PINION(L)	1		
12	TA00038394D	파이널 피니언(좌)	FINAL_REAR_PINION(L)	1		
12	TA00038394E	파이널 피니언(좌)	FINAL_REAR_PINION(L)	1		
13	22252-000800	구멍용스냅링80	RING, CIRCLIP (Φ 80)	2	D80	
14	22217-140000	스프링와셔14	WASHER, SPRING (Φ 14)	18	M14	
15	26716-140002	육각너트	NUT	4	M14X2.0	
16	FT08110000A4	볼트(M14X42)	BOLT(M14X42)	6	M14XP2.0X42	
16	FT08110000B4	볼트	BOLT(M14X42)	6	M14XP2.0X42	
17	TA00038428B	볼트(M14x130)	BOLT	8		
17	TA00038428C	볼트(M14x130)	BOLT	8		
18	FB80120000A4	심음볼트(M14X38)	STUD BOLT(M14X38)	4	M14XP2.0X38	
18	FB80120000B4	심음볼트(M14X38)	STUD BOLT(M14X38)	4		
19	22312-100180	평행핀	PIN, DOWEL (10-18)	4	D10X18	
20	TT85150000A4	심음볼트	Bolt	4	M14XP1.5	
20	TT85150000B4	심음볼트	BOLT	4	M14XP1.5	
21	TB29430000A4	와셔	WASHER	16	T3.5X35X35	
21	TB29430000B4	와셔	WASHER	16		

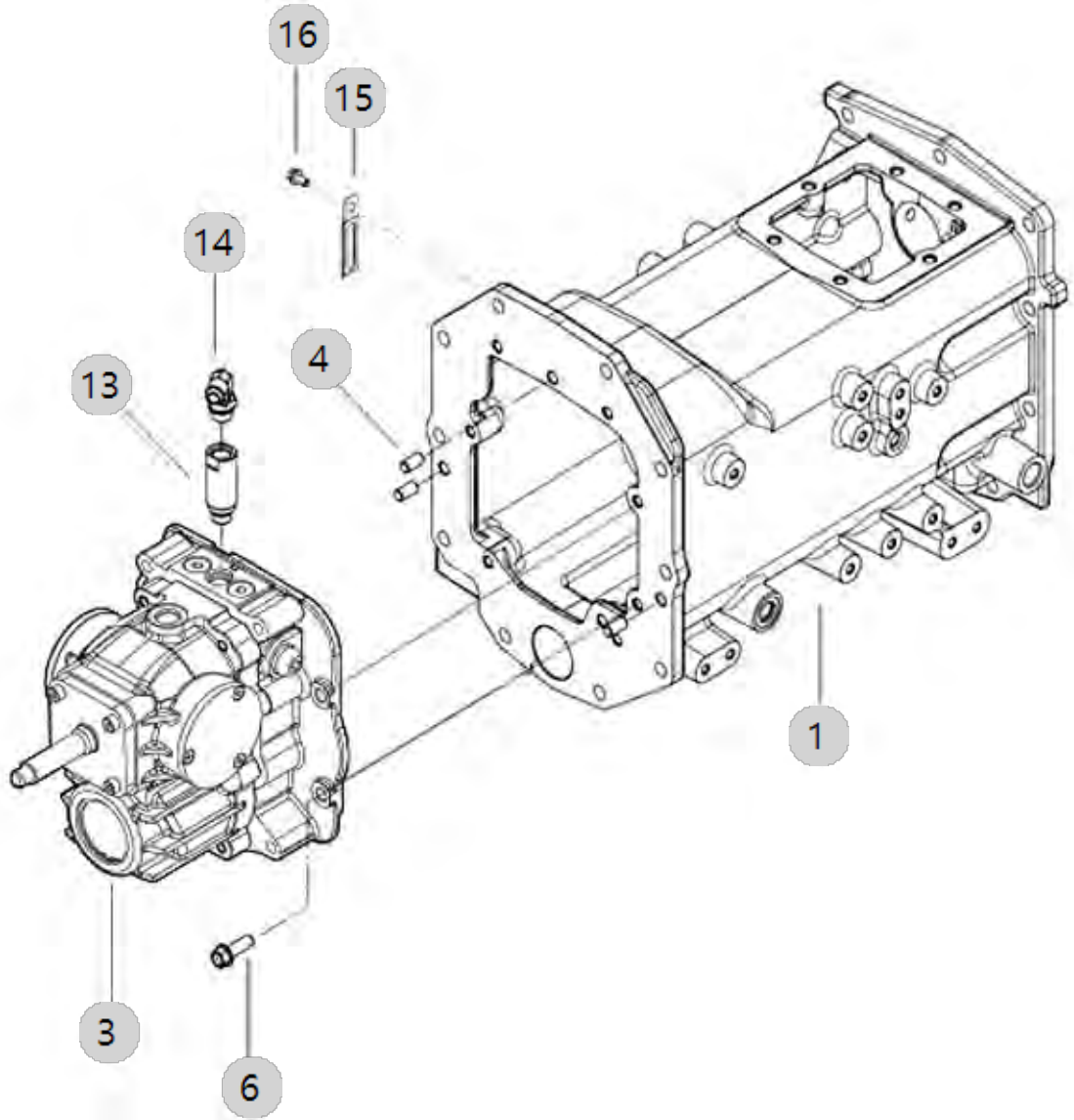
F01050

BRANSON K3CH
TM_EU(AC01568)

HYD SHIFT TRANSMISSION HOUSING

Year/Month

2023-01-18



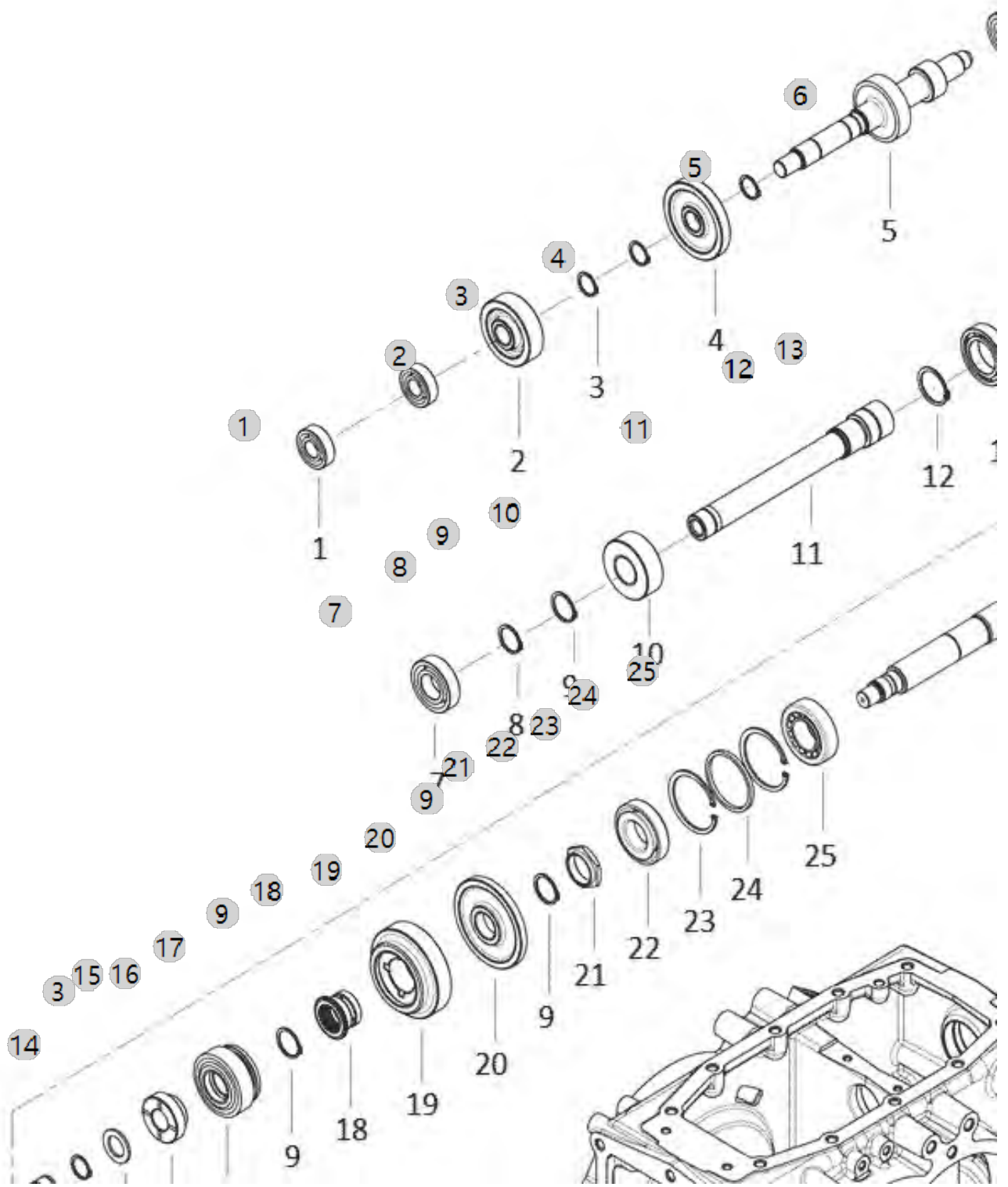
F03040

BRANSON K3CH
TM_EU(AC01568)

RANGE SHIFT GEAR

Year/Month

2023-01-18



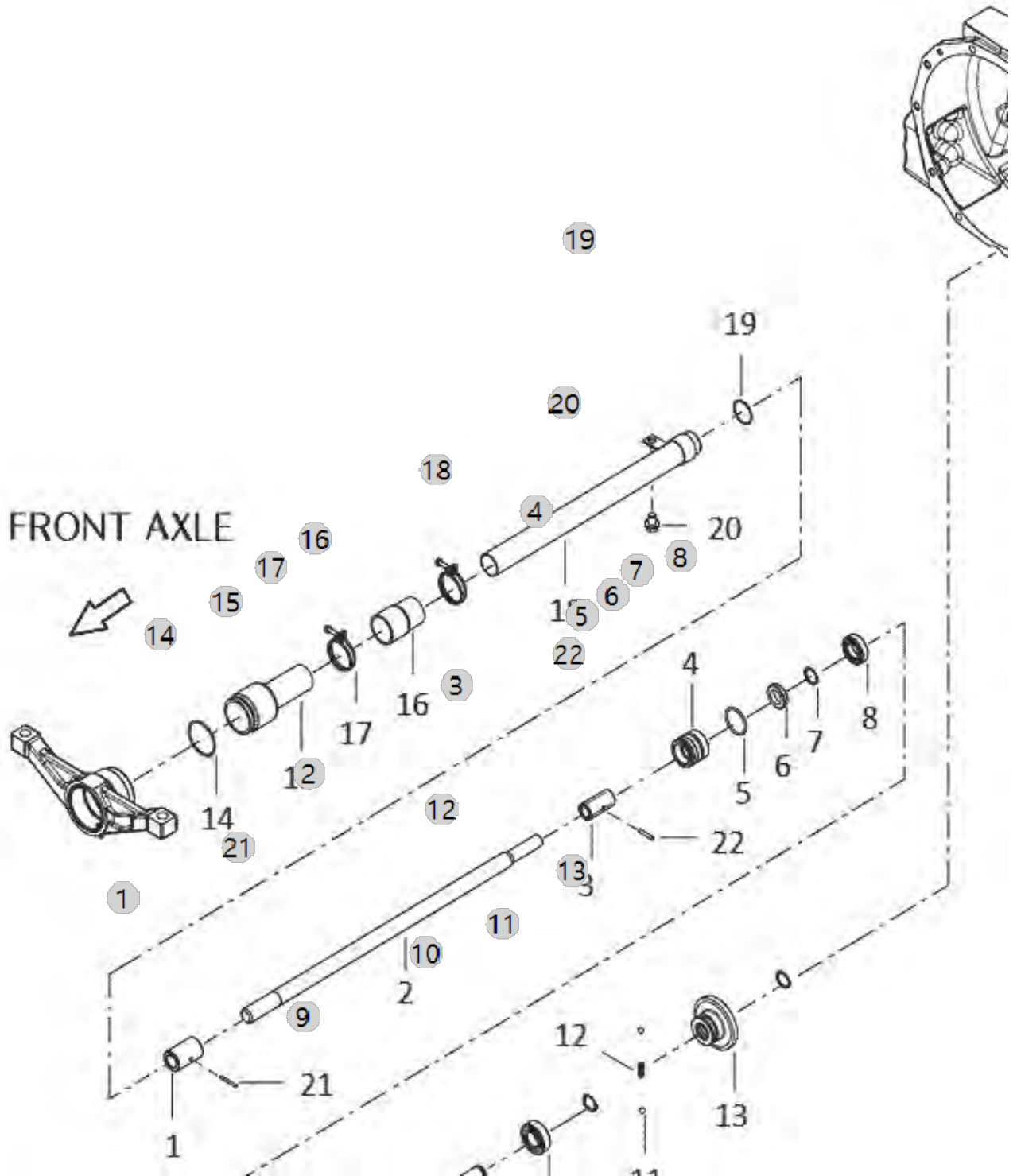
F04010

BRANSON K3CH
TM_EU(AC01568)

FORNT DRIVE SHAFT

Year/Month

2023-01-18



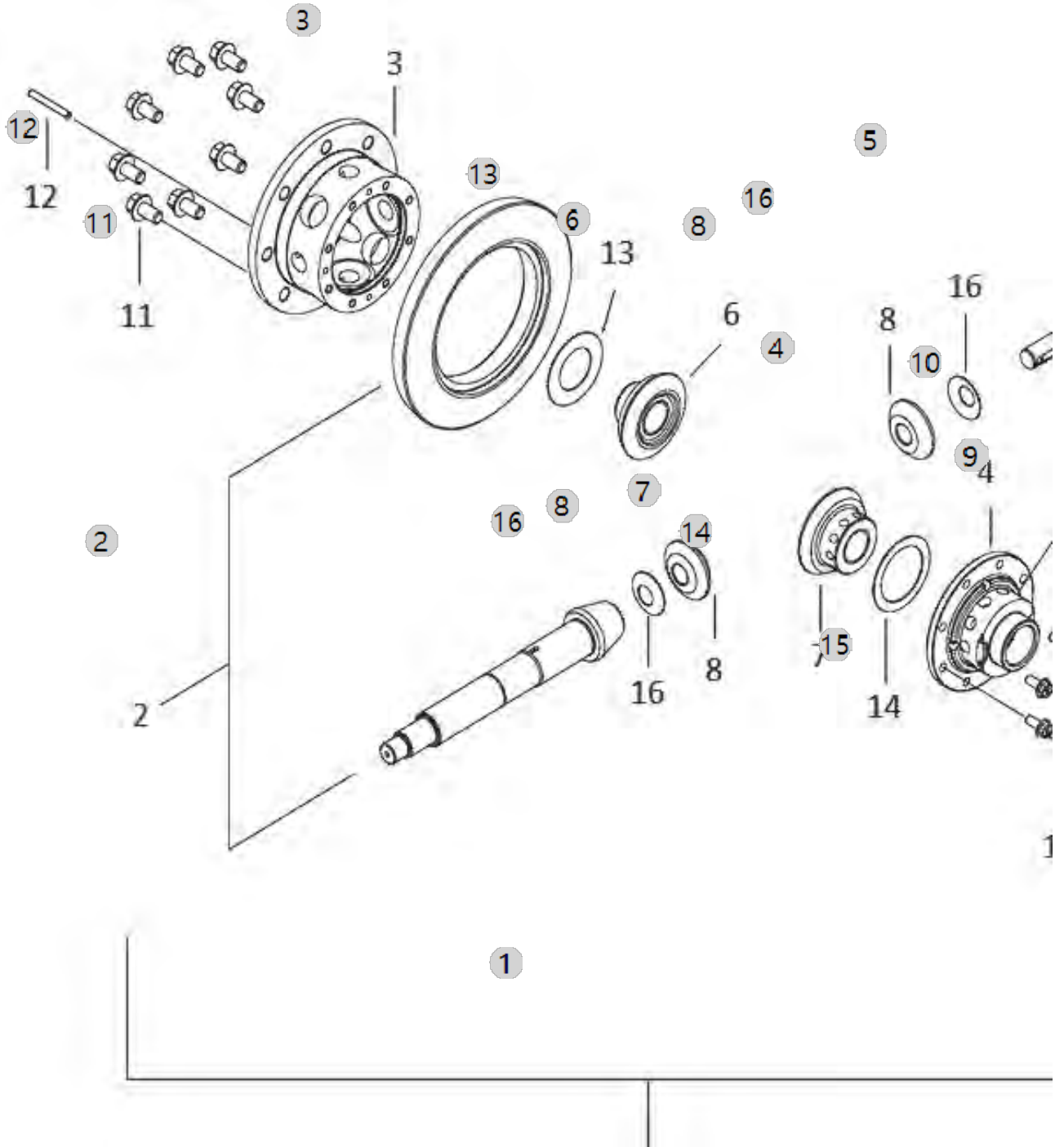
F05020

BRANSON K3CH
TM_EU(AC01568)

RING GEAR&DIFF.GEAR ASS'Y

Year/Month

2023-01-18



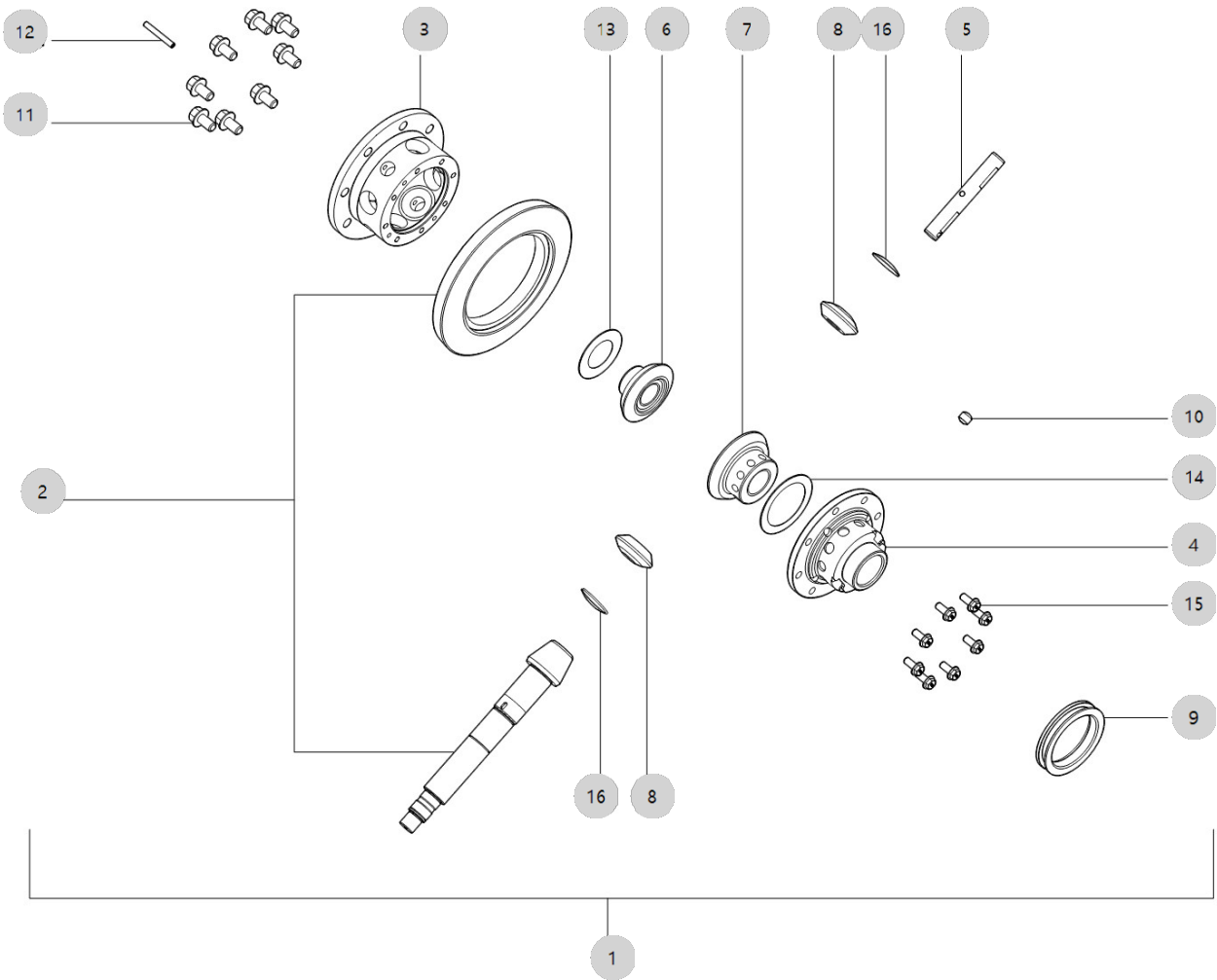
F05020

BRANSON K3CH
TM_EU(AC01568)

RING GEAR&DIFF.GEAR ASS'Y

Year/Month

2023-01-18



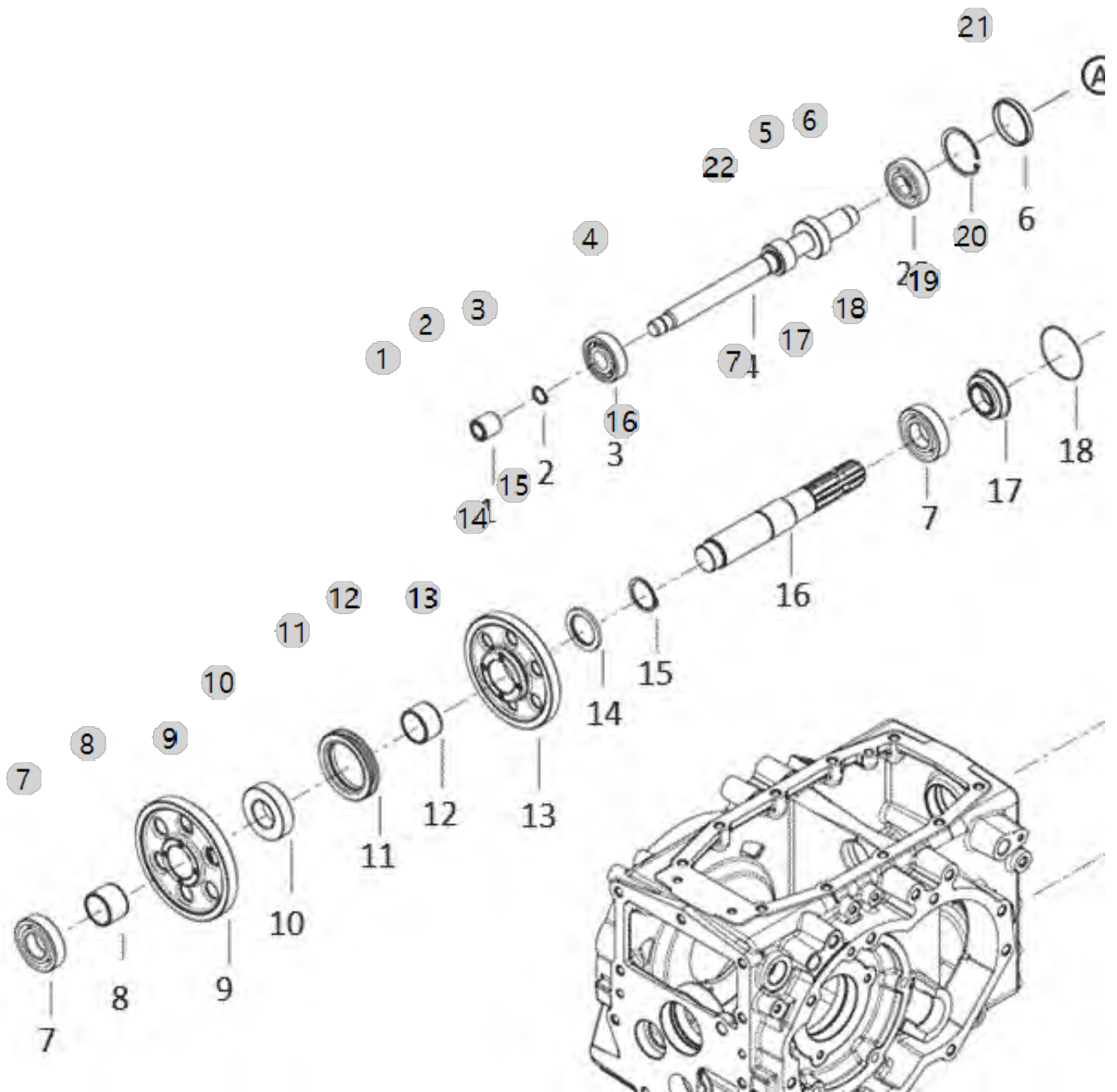
F07030

BRANSON K3CH
TM_EU(AC01568)

PTO DRIVE SHAFT

Year/Month

2023-01-18



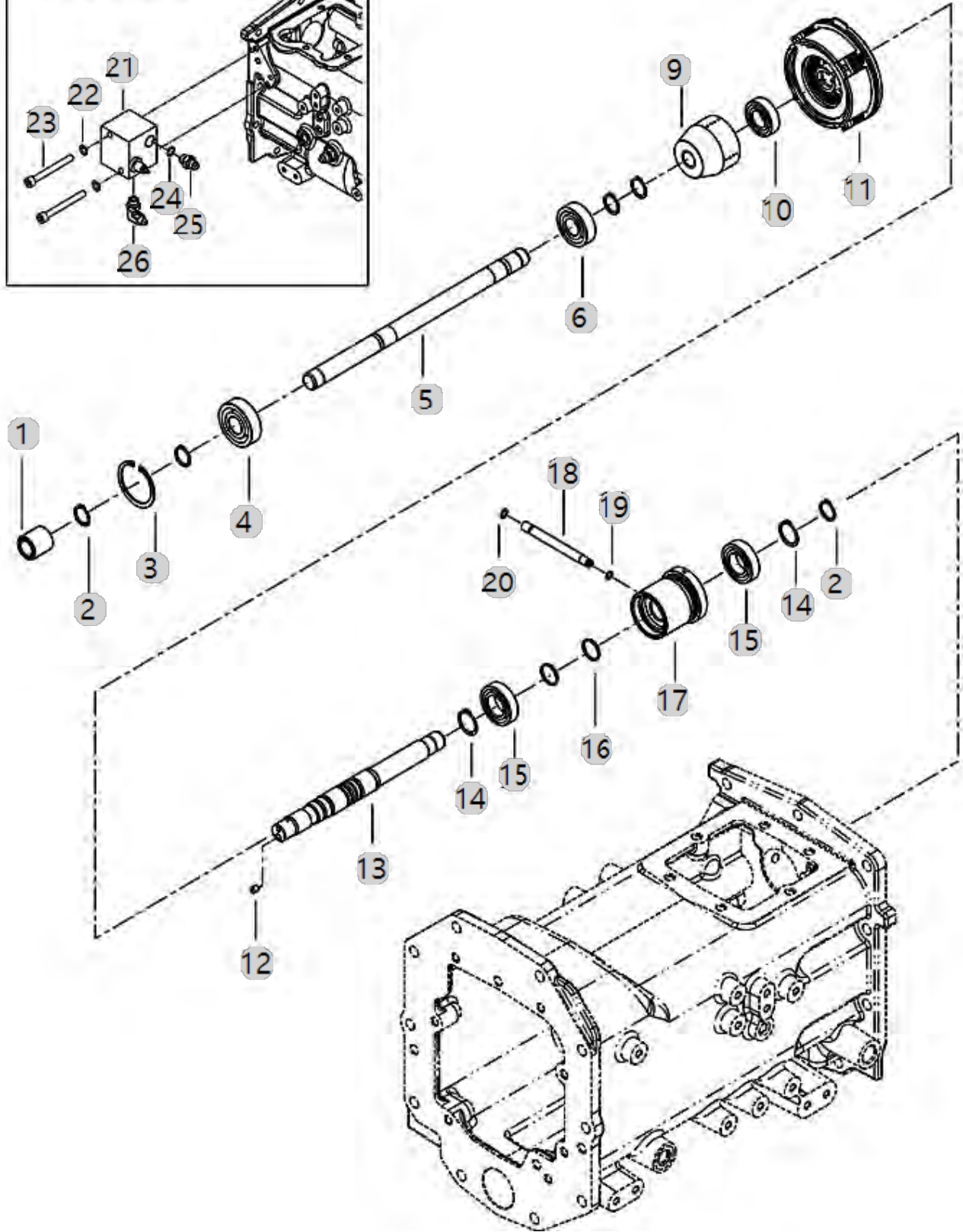
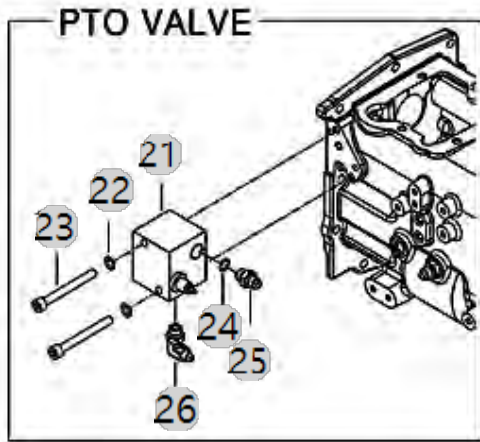
F07070

BRANSON K3CH
TM_EU(AC01568)

MAIN P.T.O SHAFT

Year/Month

2023-01-18



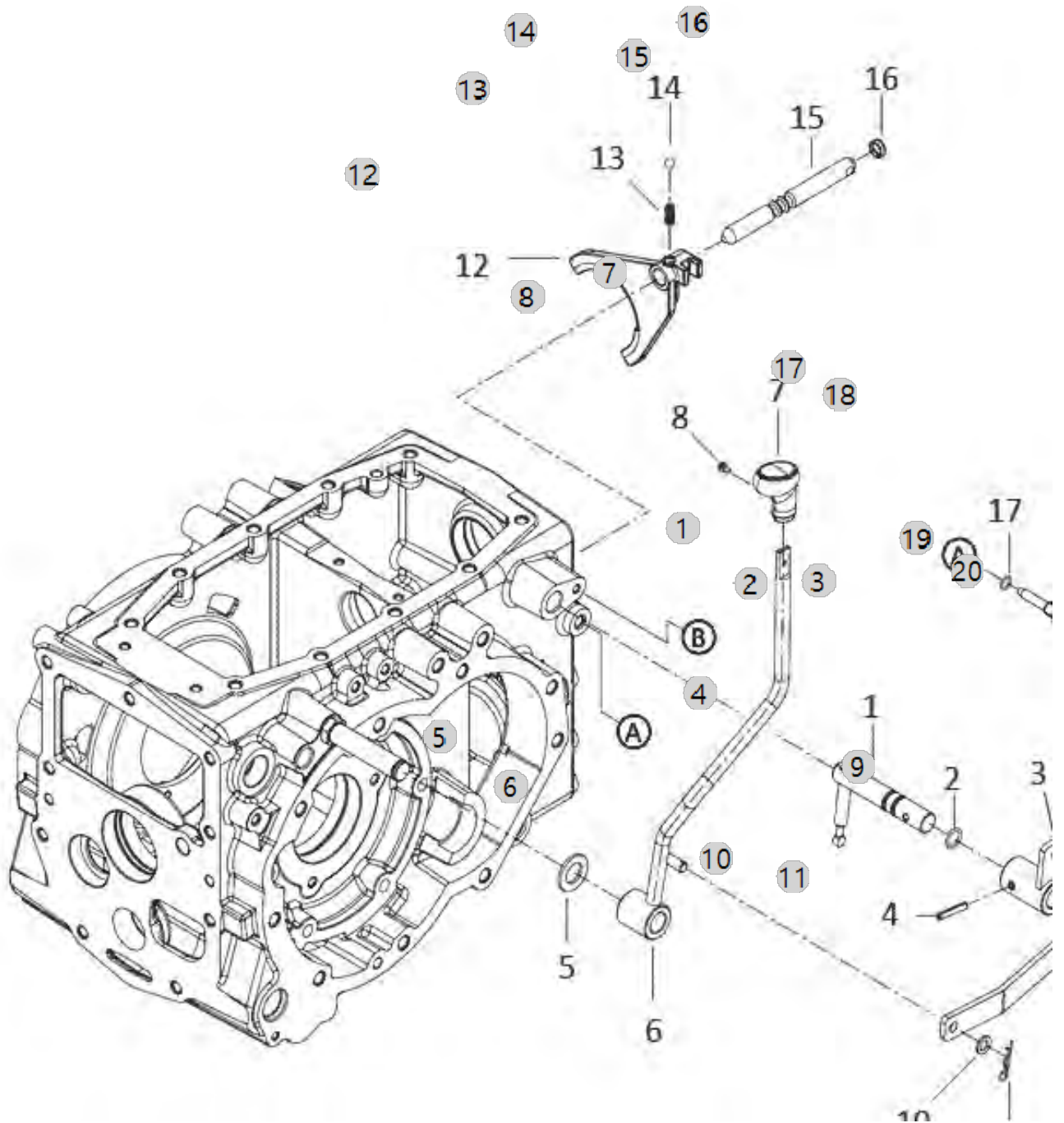
F08060

BRANSON K3CH
TM_EU(AC01568)

FORK & LEVER, PTO

Year/Month

2023-01-18



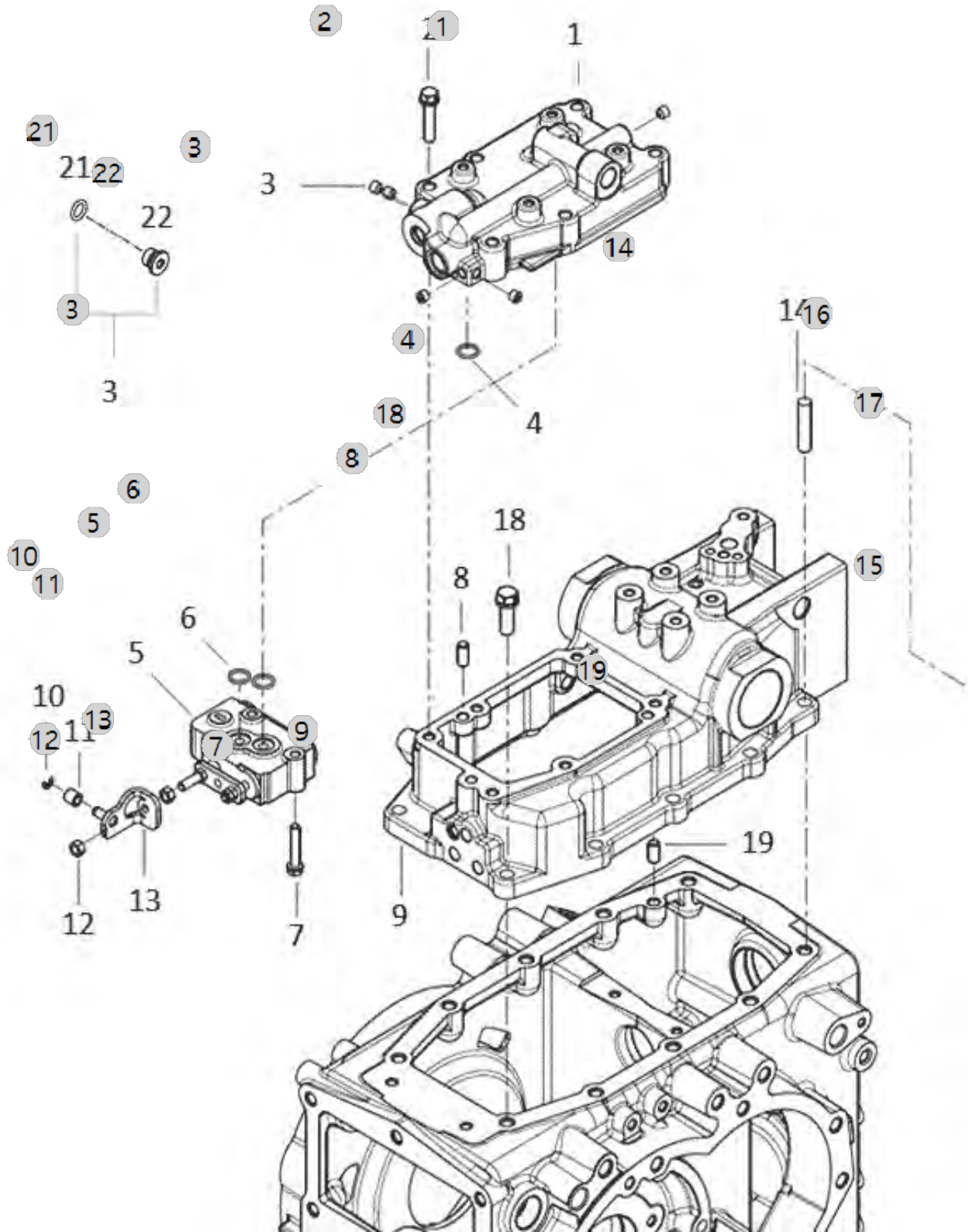
F10010

BRANSON K3CH
TM_EU(AC01568)

CASE, HYD CYLINDER

Year/Month

2023-01-18



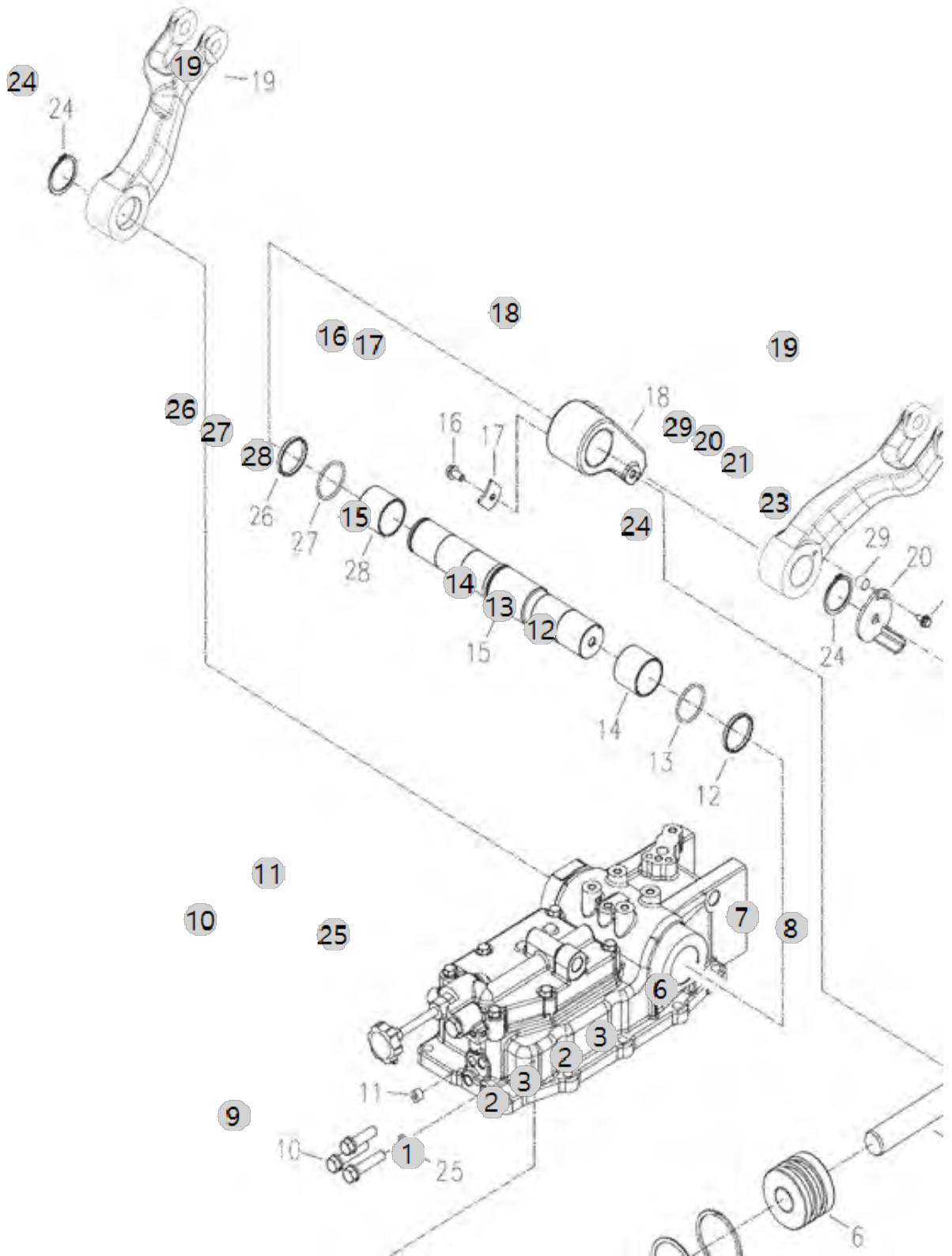
F10020

BRANSON K3CH
TM_EU(AC01568)

LIFT ARM

Year/Month

2023-01-18



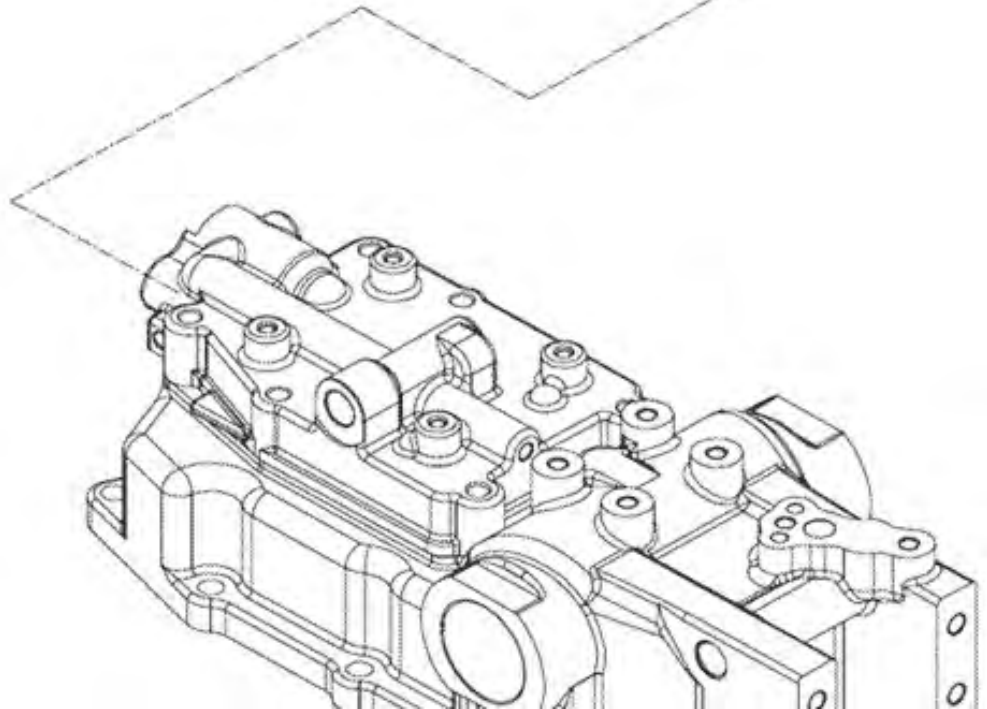
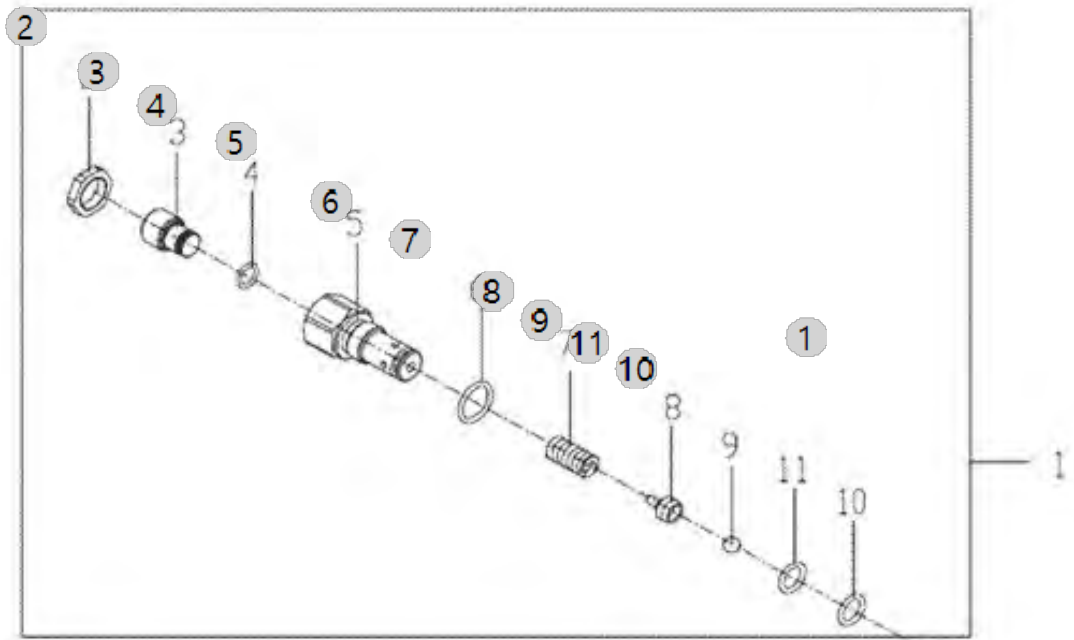
F10030

BRANSON K3CH
TM_EU(AC01568)

SAFETY VALVE

Year/Month

2023-01-18



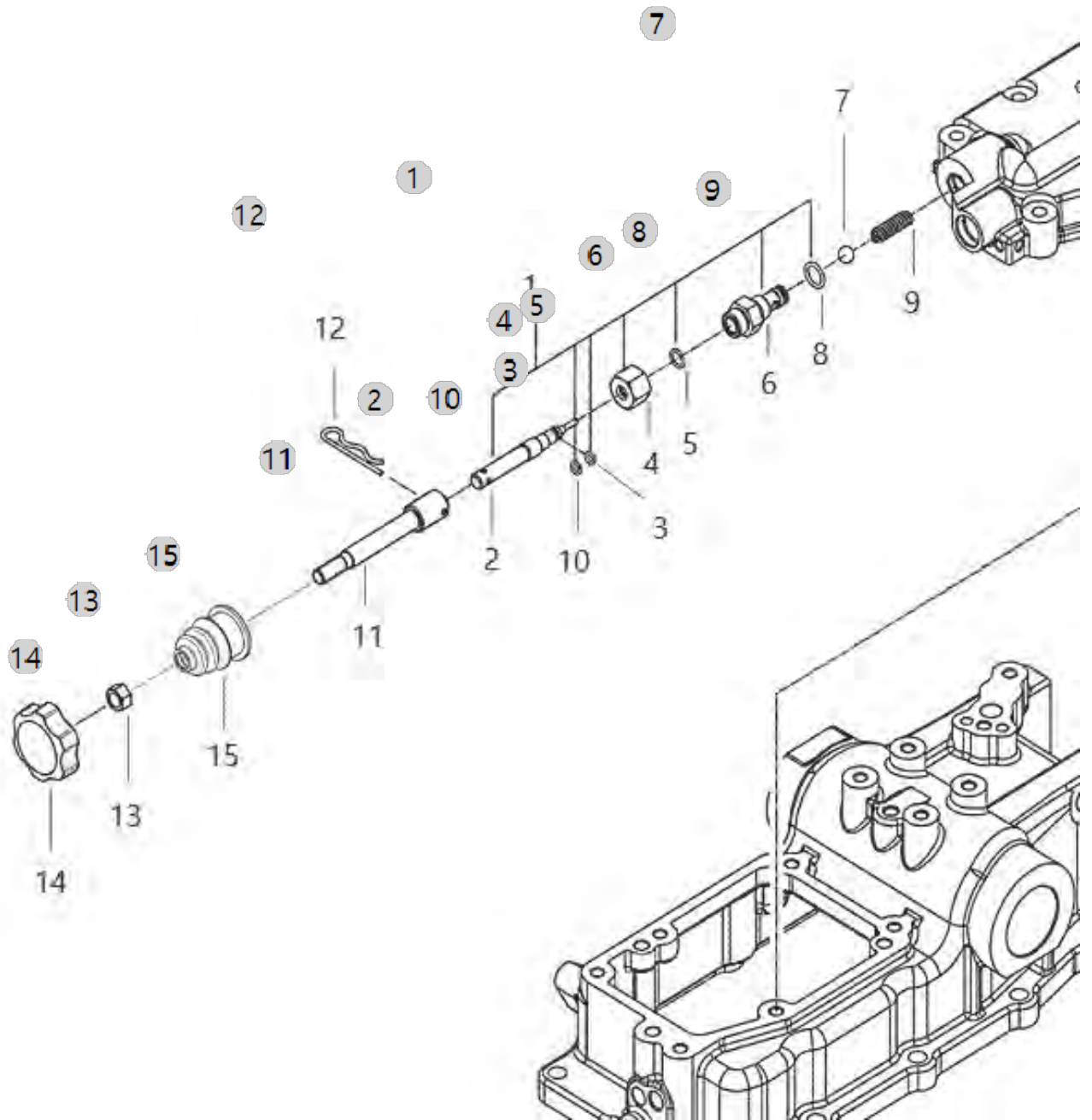
F10040

BRANSON K3CH
TM_EU(AC01568)

STOP VALVE

Year/Month

2023-01-18



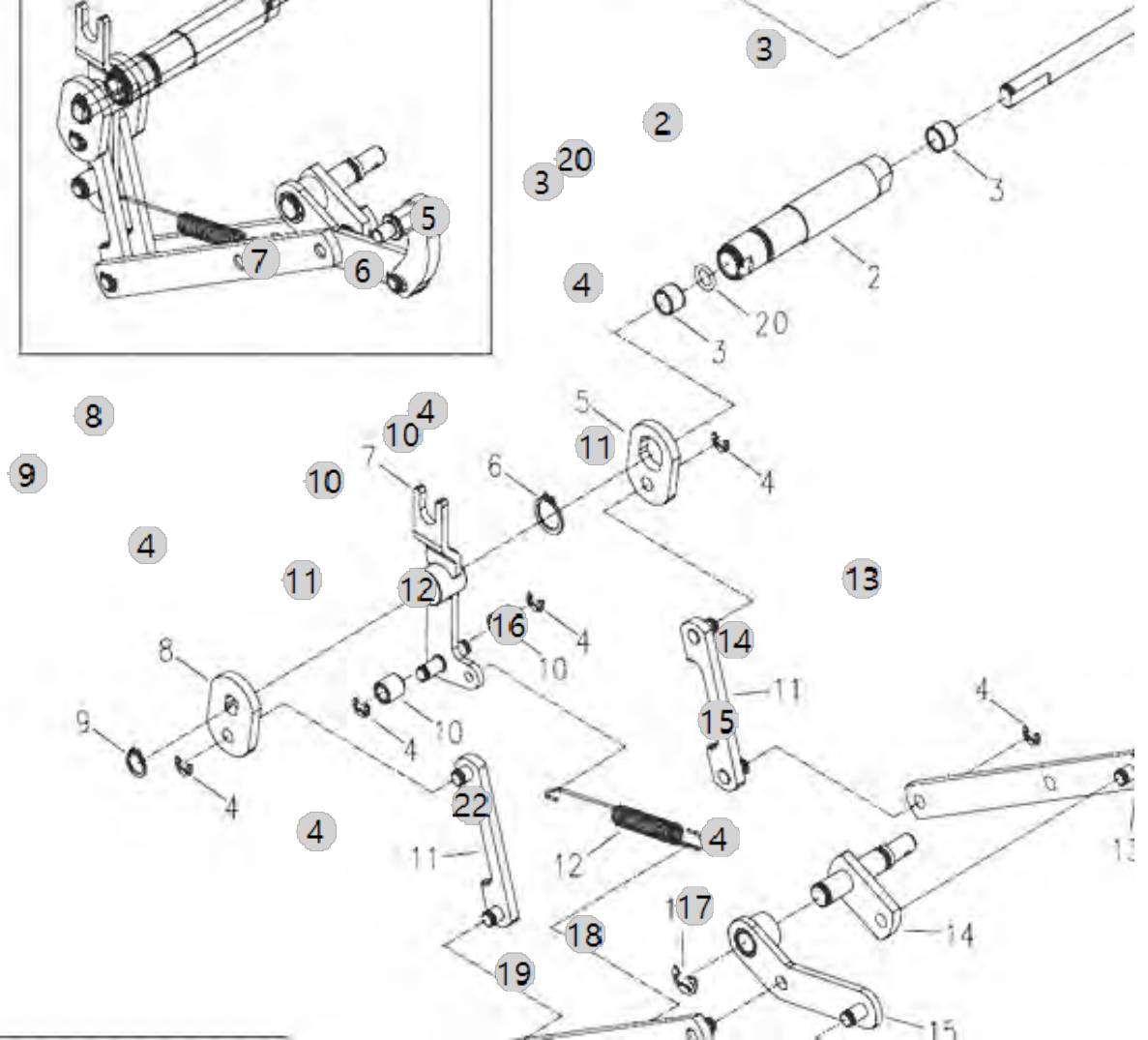
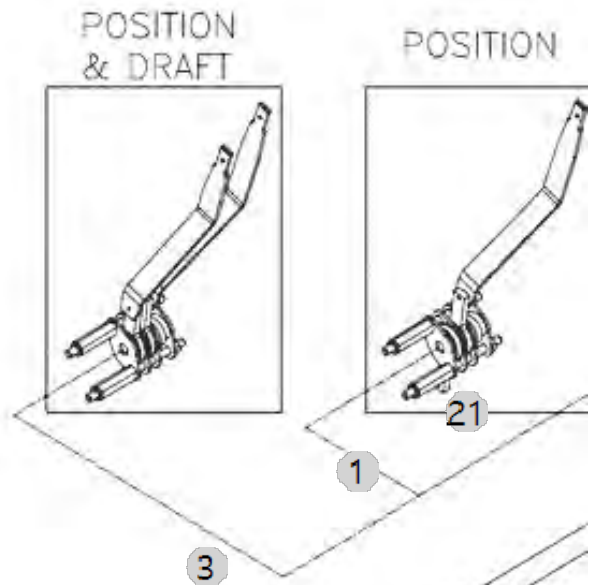
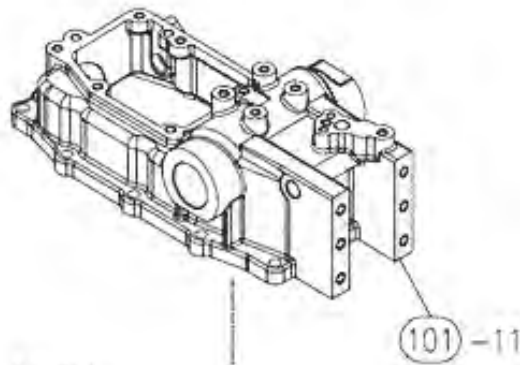
F10061

BRANSON K3CH
TM_EU(AC01568)

DRAFT/POSITION CONTROL LEVER

Year/Month

2023-01-18



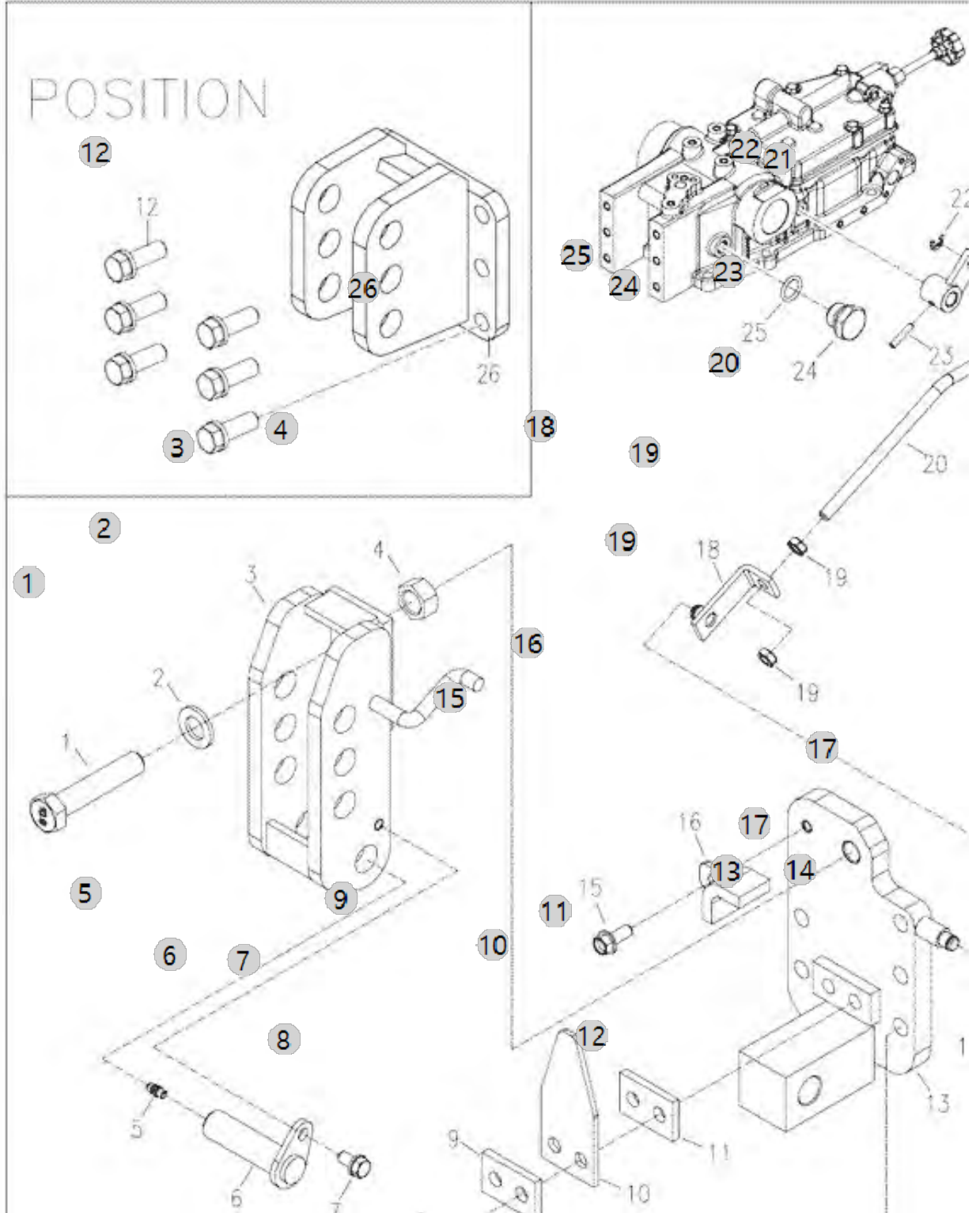
F10063

BRANSON K3CH
TM_EU(AC01568)

DRAFT CONTROL LEVER

Year/Month

2023-01-18



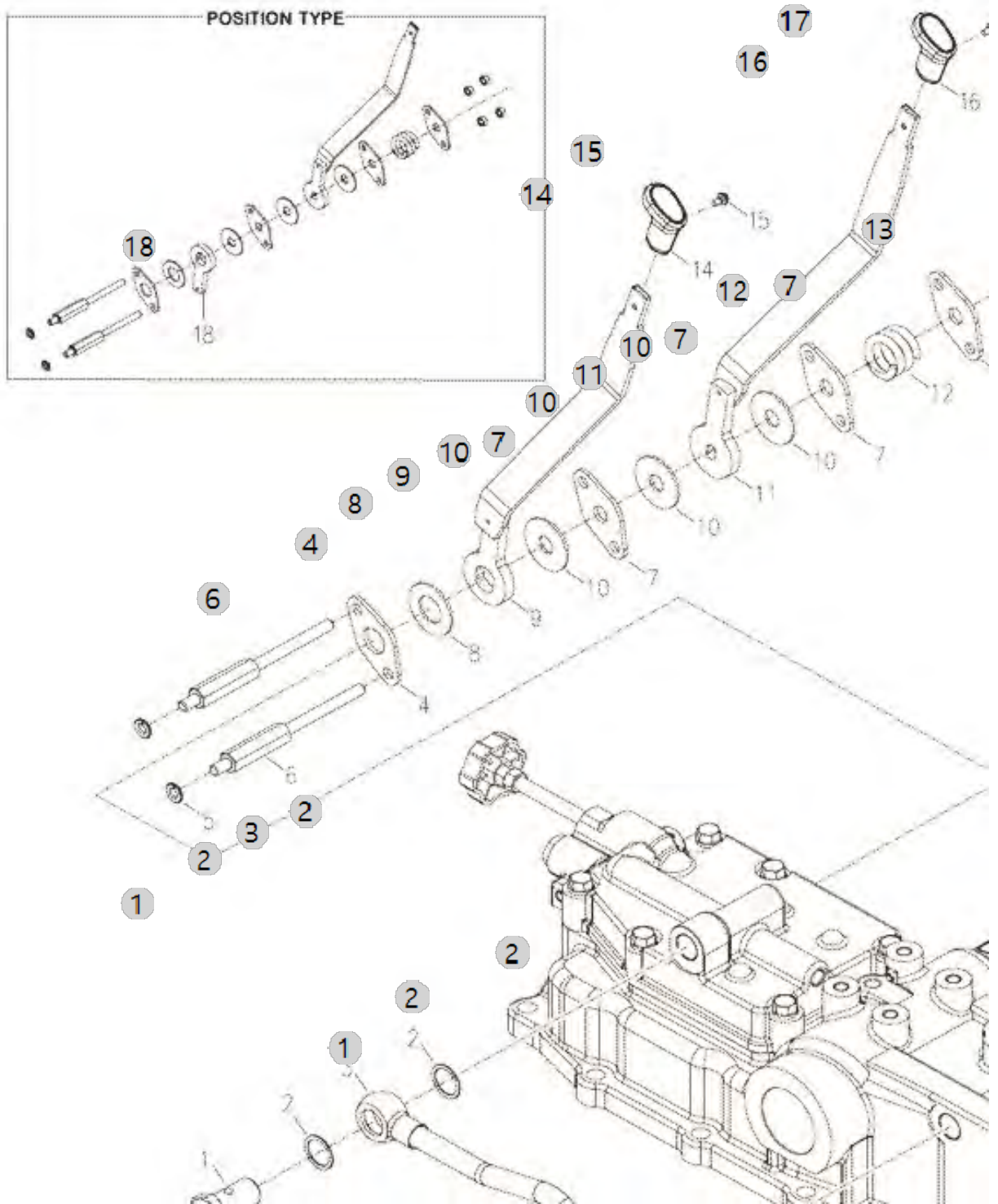
F10064

BRANSON K3CH
TM_EU(AC01568)

POSITION CONTROL LEVER

Year/Month

2023-01-18



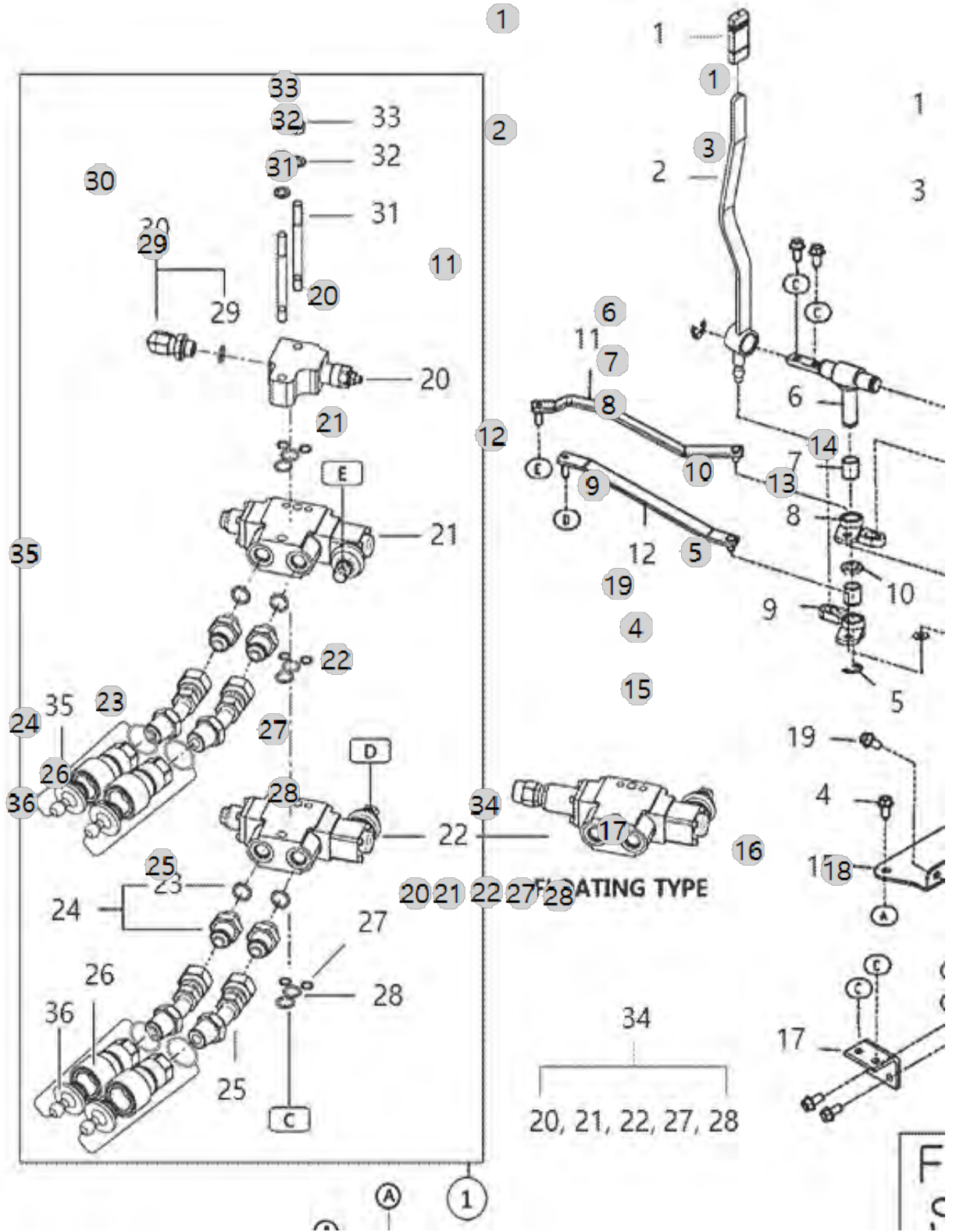
F10120

BRANSON K3CH
TM_EU(AC01568)

REAR SCV

Year/Month

2023-01-18



F10120		REAR SCV				Year/Month
BRANSON K3CH TM_EU(AC01568)						2023-01-18
순번 (NO)	부품번호 (PART NO)	품명 (PART NAME)	품명 (PART NAME)	수량 (QTY)	규격 (SPEC)	비고 (REMARK)
1	RN7530000A4	레버 손잡이	GRIP, LEVER(BLACK)	2		
2	TA00055308A	레버A조합(K3C)	LEVER ASS'Y(A)	1		
2	TA00055308B	레버A조합(K3C)	LEVER ASS'Y(A)	1		
3	TA00055309A	레버B조합(K3C)	LEVER ASS'Y(B)	1		
3	TA00055309B	레버B조합(K3C)	LEVER ASS'Y(B)	1		
4	26106-080162	플랜지볼트8X16	SCREW,HEXFLANGEHEADCAP	6	M8XP1.25X16	
5	22272-000120	E형스냅링12	RING, CIRCLIP (Φ 12)	3	D12	
6	TA00034042A	축 조합	SHAFT ASS'Y	1		
6	TA00034042B	축 조합	SHAFT ASS'Y	1		
6	TA00034042C	축 조합	SHAFT ASS'Y	1		
6	TA00034042D	축 조합	SHAFT ASS'Y	1		
7	24550-016200	드라이부시16X20	DRY BUSH 16X20	4		
8	TA00036430A	보스 A 조합 PTO 3단	BOSS B ASS'Y PTO 3SD	1		
8	TA00036430B	보스 A 조합 PTO 3단	BOSS B ASS'Y PTO 3SD	1		
9	TA00036429A	보스 B 조합 PTO 3단	BOSS B ASS'Y PTO 3SD	1		
9	TA00036429B	보스 B 조합 PTO 3단	BOSS B ASS'Y PTO 3SD	1		
10	TA00034062A	플레이트	PLATE	1		
11	TA00036297A	링크 2 조합	LINK ASSY 2	1		
11	TA00036297B	링크 2 조합	LINK ASSY 2	1		
11	TA00036297C	링크 2 조합	LINK ASSY 2	1		
12	TA00034019A	링크1조합	LINK 1 ASS'Y	1		
12	TA00034019B	링크1조합	LINK 1 ASS'Y	1		
13	22137-080000	와셔8	WASHER, PLAIN (Φ 08)	4	M8	
14	22417-200200	할핀	PIN , COTTER (2-20)	4	D1.8	
15	TA00036443B	브래킷	BRACKET	1		
15	TA00036443C	브래킷	BRACKET	1		
16	TA00036941A	SCV 고정 레버 브래킷 조합	HOLDING BRACKET, SCV LEVER	1		
16	TA00036941B	SCV 고정 레버 브래킷 조합	HOLDING BRACKET, SCV LEVER	1		
17	TA00036949A	고정브라켓	BRACKET	1		
17	TA00036949B	고정브라켓	BRACKET	1		
18	26106-100162	플랜지볼트M10X16	SCREW,HEXFLANGEHEADCAP	2	M10XP1.5X16	
19	26106-080182	444,ALL,플랜지볼트	SCREW,HEXFLANGEHEADCAP	4		
20	TA00033977A	컨트롤 릴리프	COVER RELIEF	1		
20	TA00033977B	컨트롤 릴리프	COVER RELIEF	1		
20	TA00033977C	컨트롤 릴리프	COVER RELIEF	1		
21	TA00034056A	SCV 2	SCV 2	1		
21	TA00034056C	SCV 2	BLOCK 2	1		
21	TA00034056B	SCV 2	BLOCK 2	1		
22	TA00028226A	SCV 1	REAR SCV 1	1		
22	TA00028226B	SCV 1	SCV	1		
22	TA00028226C	SCV 1	SCV 1	1		
22	TA00048561A	SCV(FLOATING)	SCV(FLOATING)	1		
22	TA00048561C	SCV(FLOATING)	SCV(FLOATING)	1		
22	TA00048561B	SCV(FLOATING)	SCV(FLOATING)	1		
23	24311-000160	O-링 P 16	O-RING, DYNAMIC (Φ16)	4	P16	

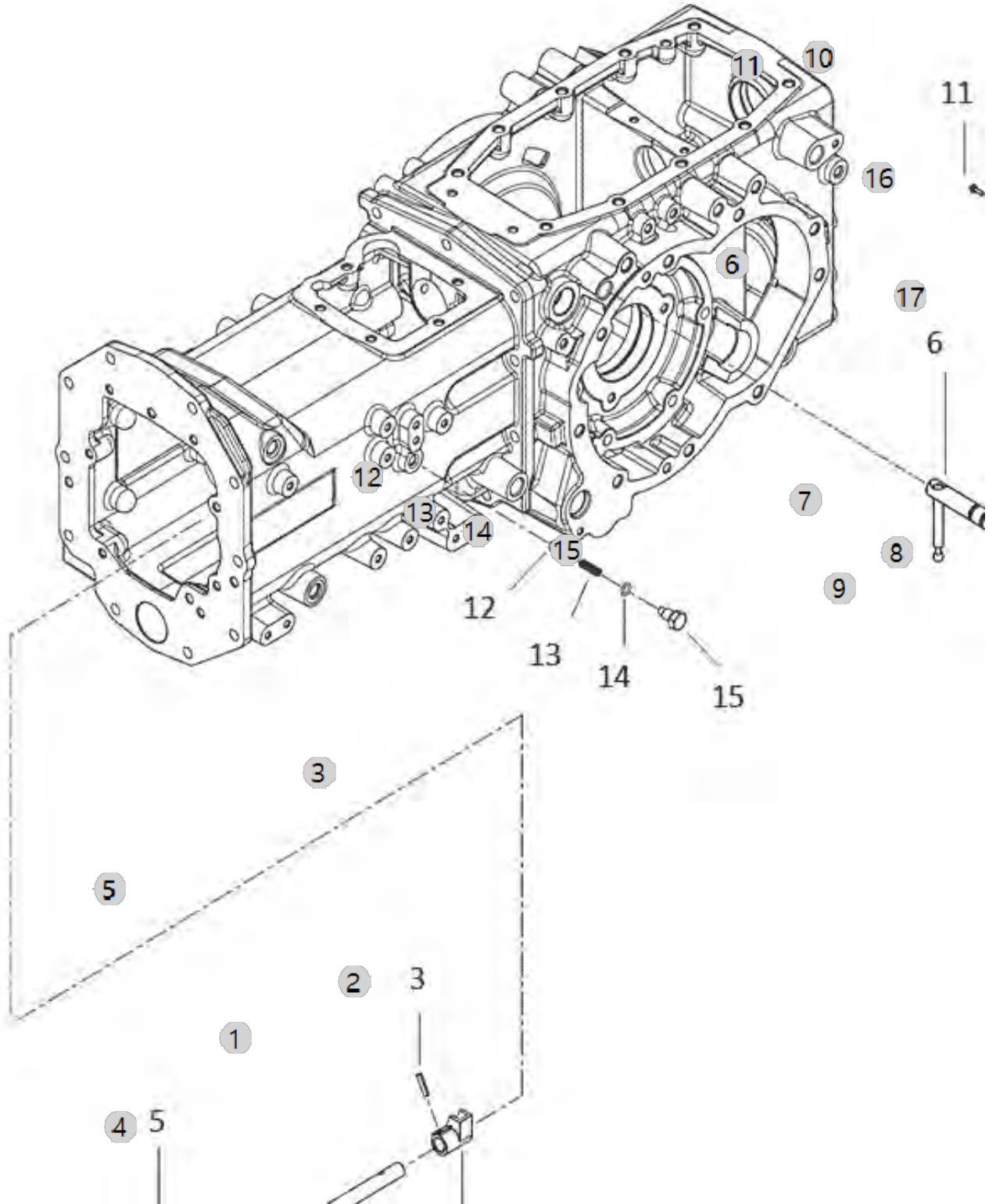
F11020

BRANSON K3CH
TM_EU(AC01568)

LEVER ASS'Y, RANGE SHIFT

Year/Month

2023-01-18



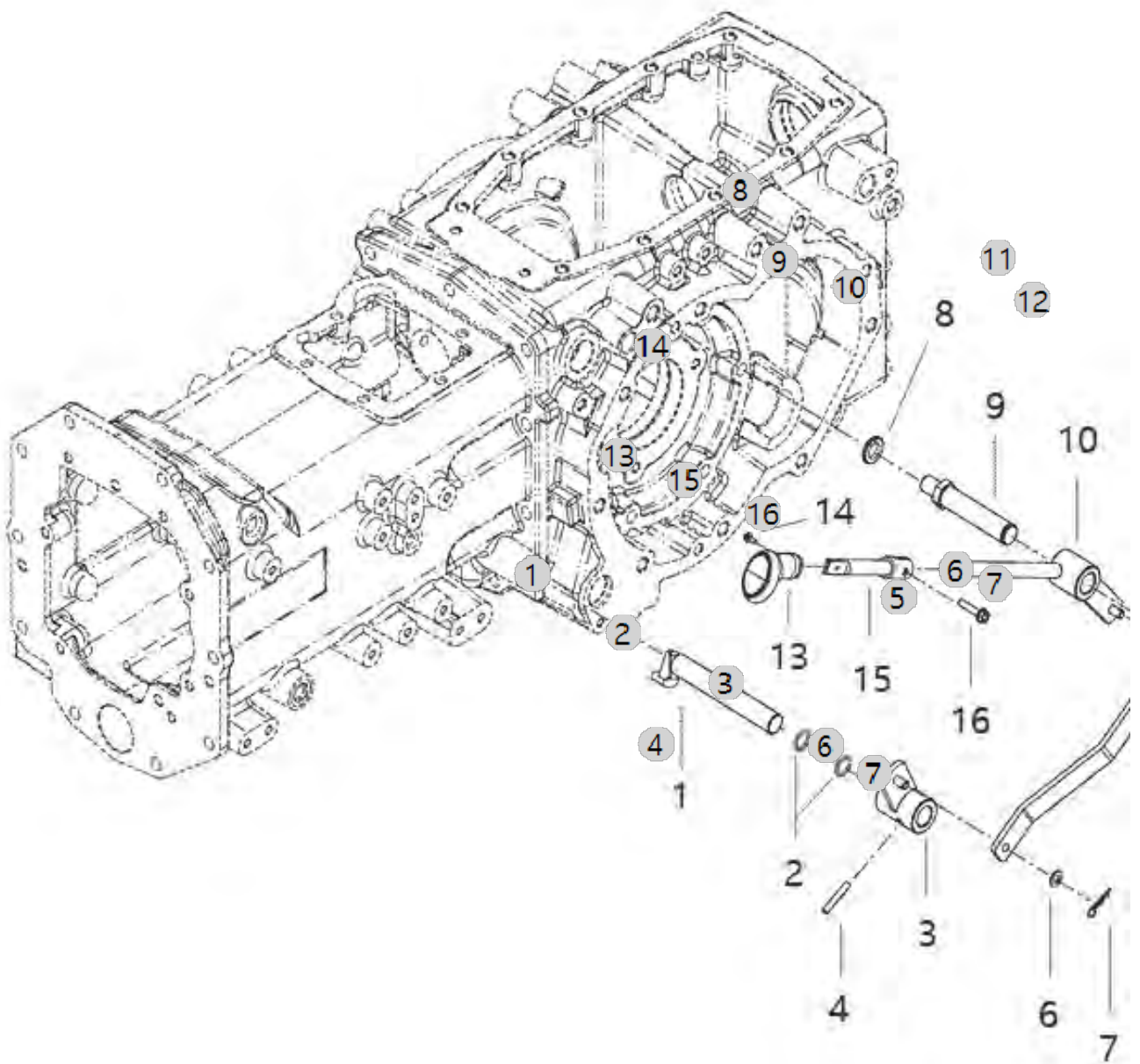
F11080

BRANSON K3CH
TM_EU(AC01568)

4WD LEVER

Year/Month

2023-01-18



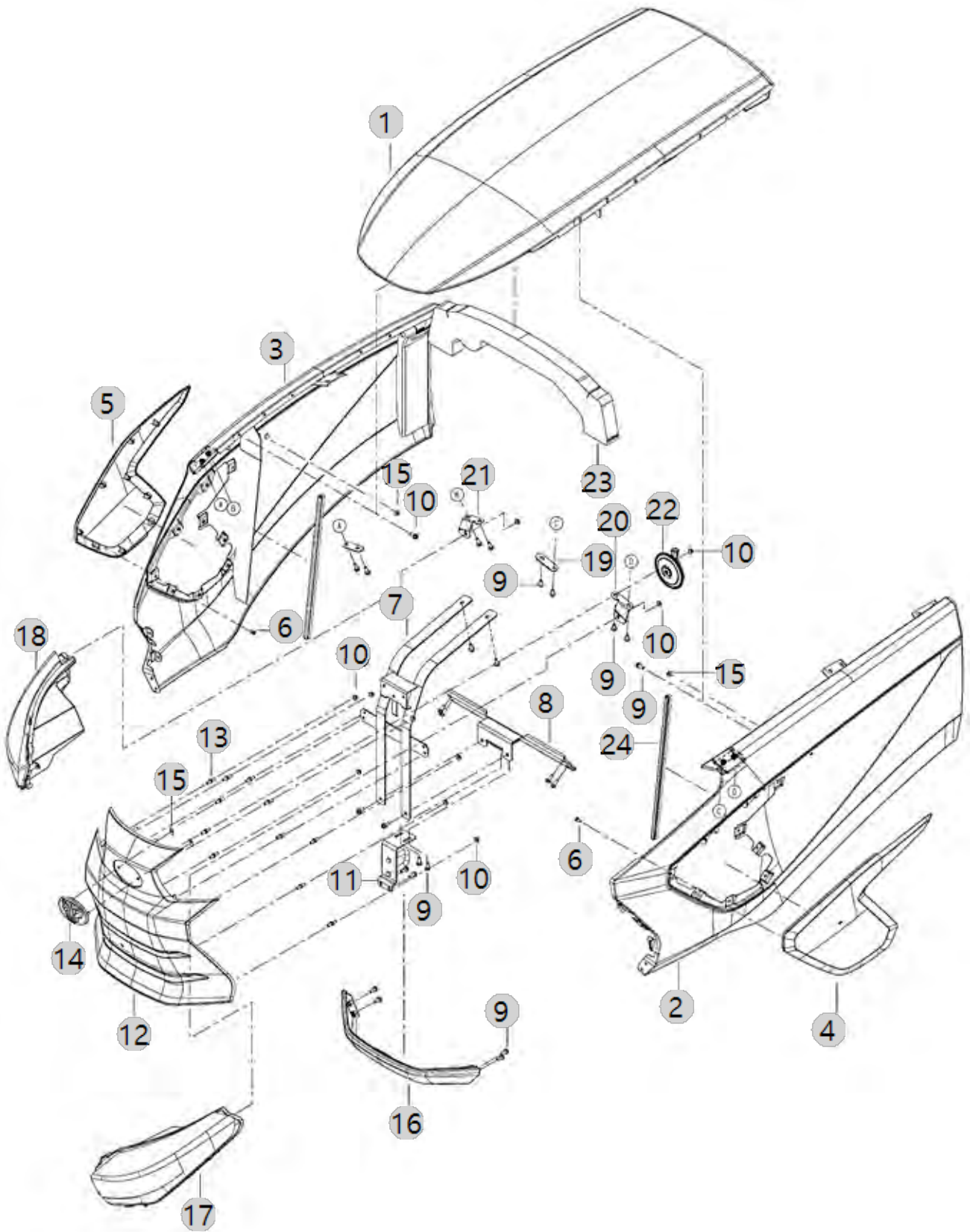
G01020

F50CHN_EU_FL
(AC02151)

BONNET

Year/Month

2023-01-18



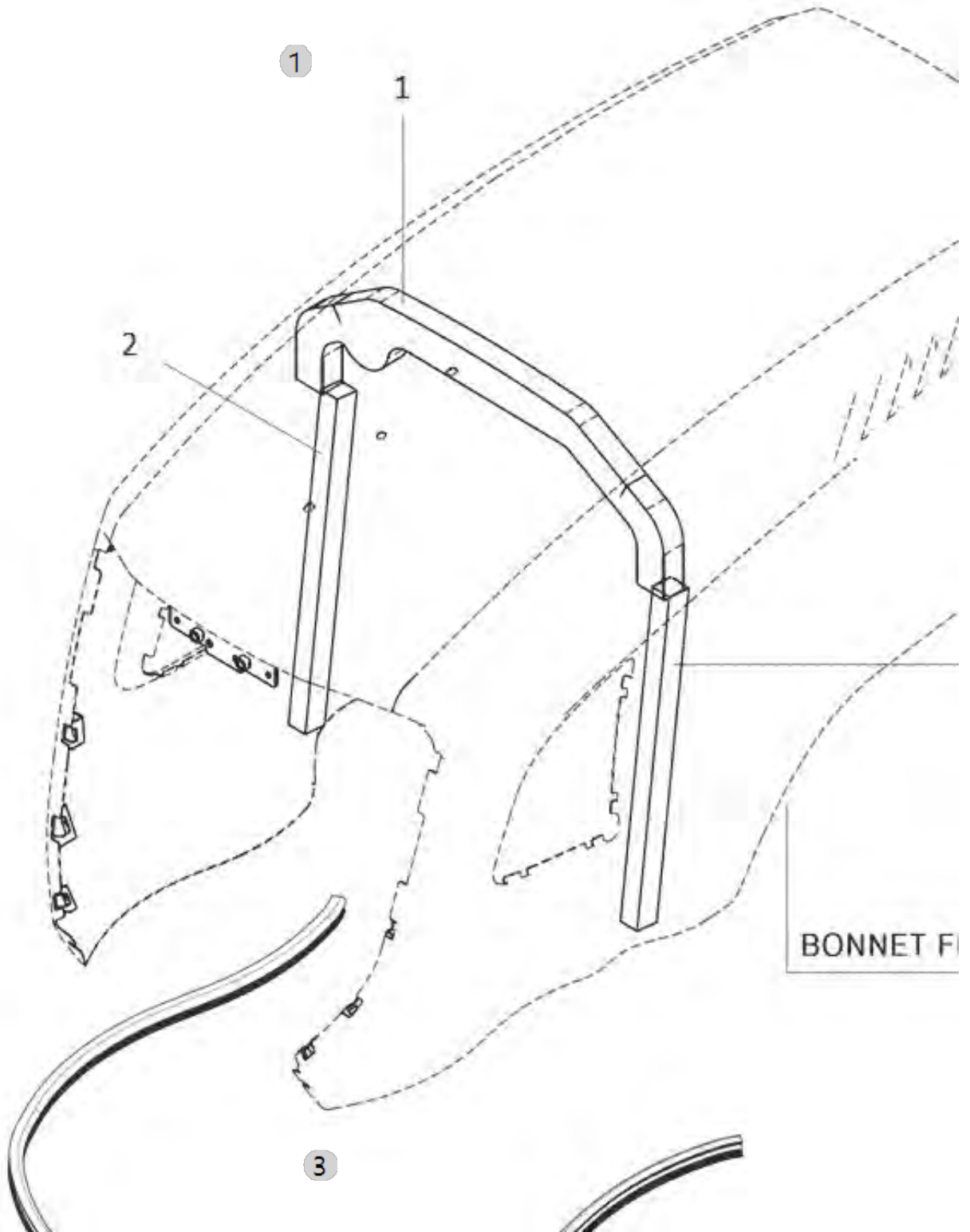
G01021

F50CHN_EU_FL
(AC02151)

BONNET URETHANE

Year/Month

2023-01-18



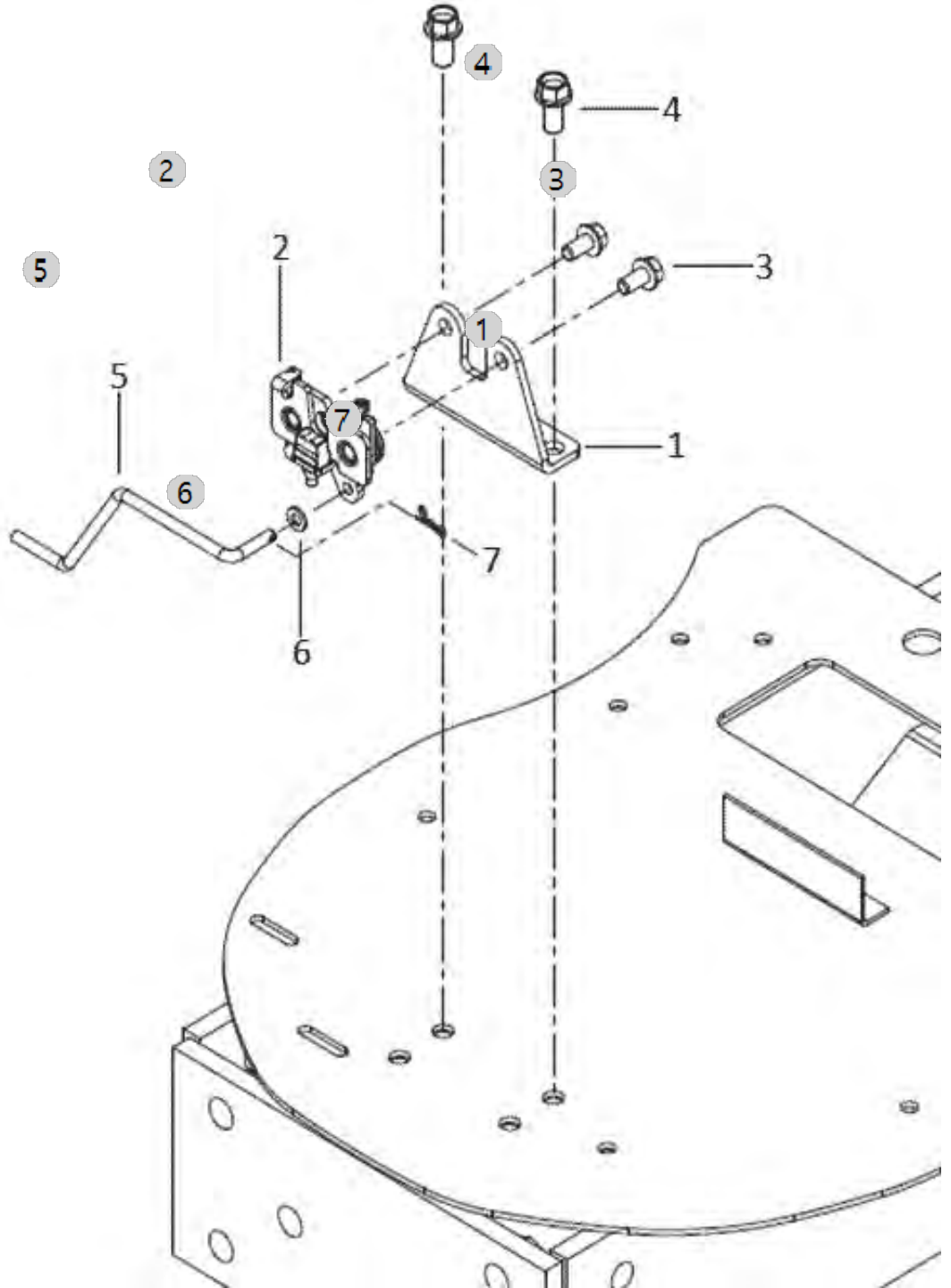
G01040

F50CHN_EU_FL
(AC02151)

LOCKING ASS'Y, BONNET

Year/Month

2023-01-18



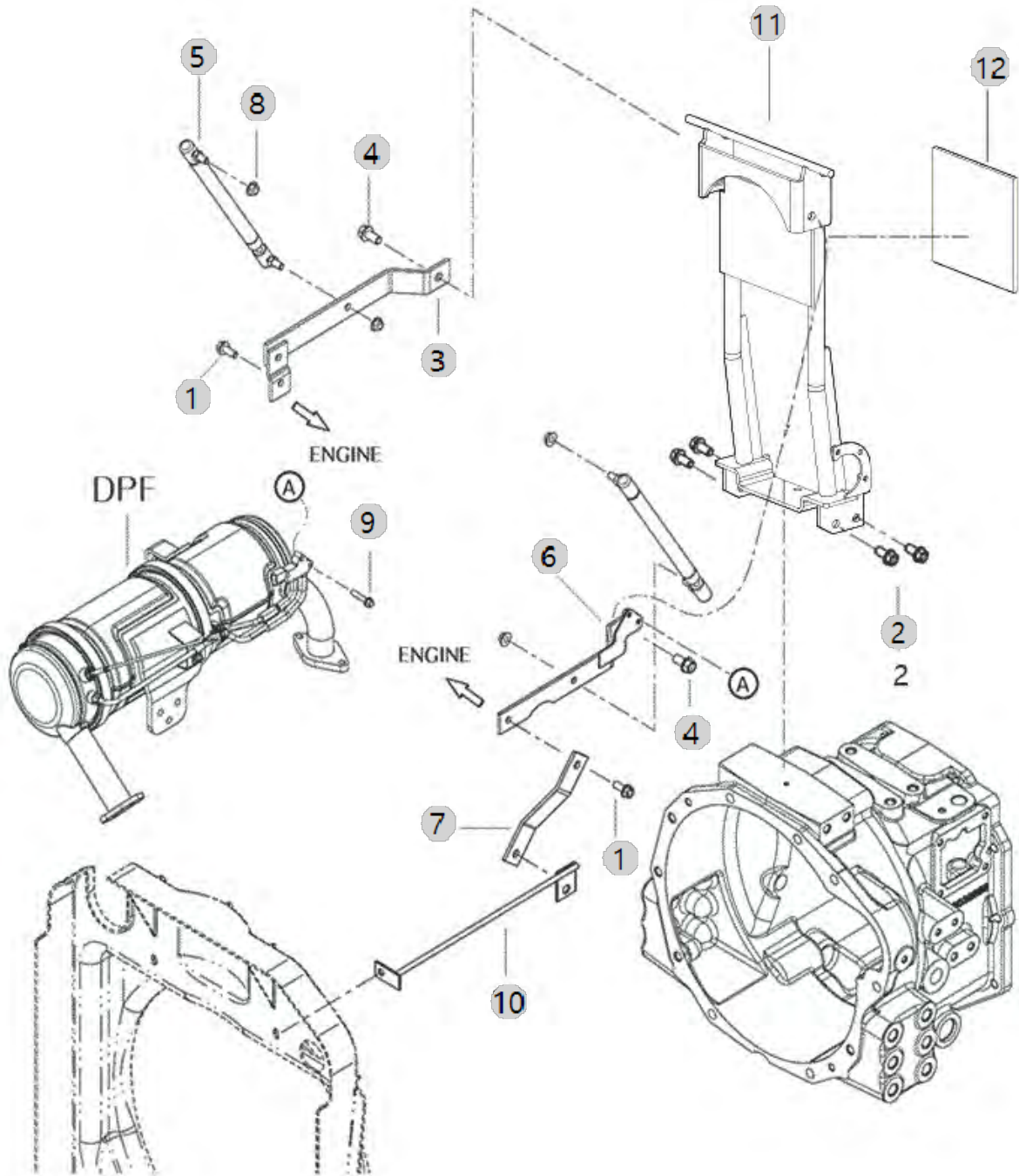
G01060A

F50CHN_EU_FL
(AC02151)

FIXED BRACKET, BONNET

Year/Month

2023-01-18



G01060A F50CHN_EU_FL (AC02151)		FIXED BRACKET, BONNET				Year/Month 2023-01-18
순번 (NO)	부품번호 (PART NO)	품명 (PART NAME)	품명 (PART NAME)	수량 (QTY)	규격 (SPEC)	비고 (REMARK)
1	26106-080202	육각플랜지볼트	SQR FLANGE BOLT	3	M8XP1.25X20	
2	26106-100222	육각플랜지볼트	BOLT	4		
3	TA00040848B	고정브라켓 우	BRACKET L	1		
3	TA00040848D	고정브라켓 우	BRACKET L	1		
3	TA00040848A	고정브라켓 우	BRACKET L	1		
3	TA00040848C	고정브라켓 우	BRACKET L	1		
4	26106-100202	육각플랜지볼트	HEX BOLT, (10-20)	2	M10XP1.5X20	
5	TA00067716A	가스실린더	GAS CYLINDER	2		
6	TA00040849B	고정브라켓 좌	BRACKET L	1		
6	TA00040849D	고정브라켓 좌	BRACKET L	1		
6	TA00040849C	고정브라켓 좌	BRACKET L	1		
6	TA00040849E	고정브라켓 좌	BRACKET L	1		
7	TA00040850B	연결 브래킷	BRACKET	1		
8	26367-080002	259, 육각플랜지너트	HEX FLANGE NUT (Φ8)	4	M8XP1.25	
9	26106-060252	육각플랜지볼트	Screw, (6-25)	2	M6XP1.0X25	
10	TA00041934C	서포트조합(T4)	SUPPORT ASS'Y(T4)	1		
10	TA00041934B	서포트조합(T4)	SUPPORT ASSY(T4)	1		
11	TA00065495C	본네트 힌지 조합	ASSY. BONNET HINGE	1		
11	TA00065495B	본네트 힌지 조합	ASSY. BONNET HINGE	1		
11	TA00065495D	본네트 힌지 조합	ASSY. BONNET HINGE	1		
11	TA00065495A	본네트 힌지 조합	ASSY. BONNET HINGE	1		
12	TA00072201A	방열판	INSULATOR	1		

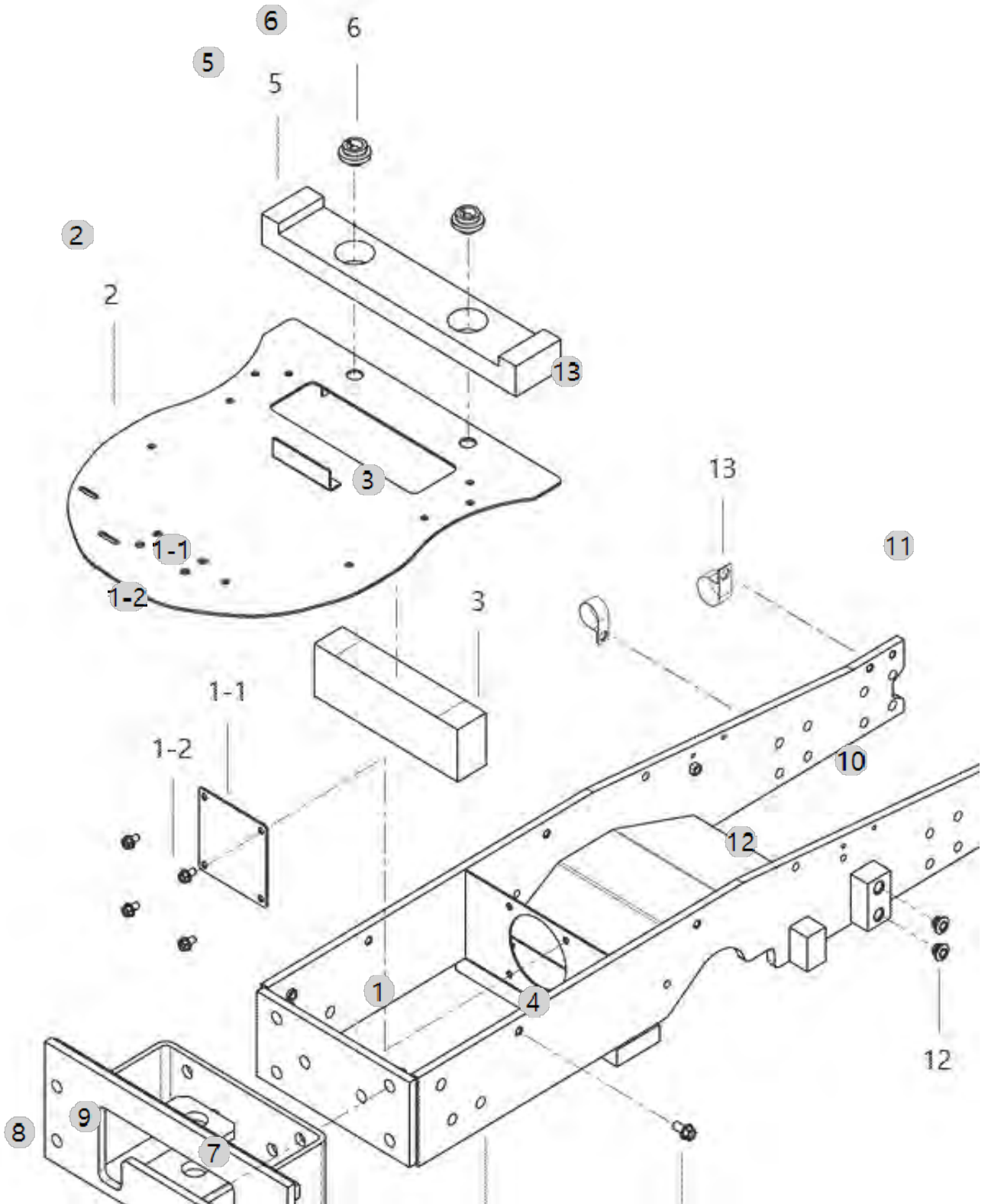
G01080

F50CHN_EU_FL
(AC02151)

FRONT AXLE BRACKET

Year/Month

2023-01-18



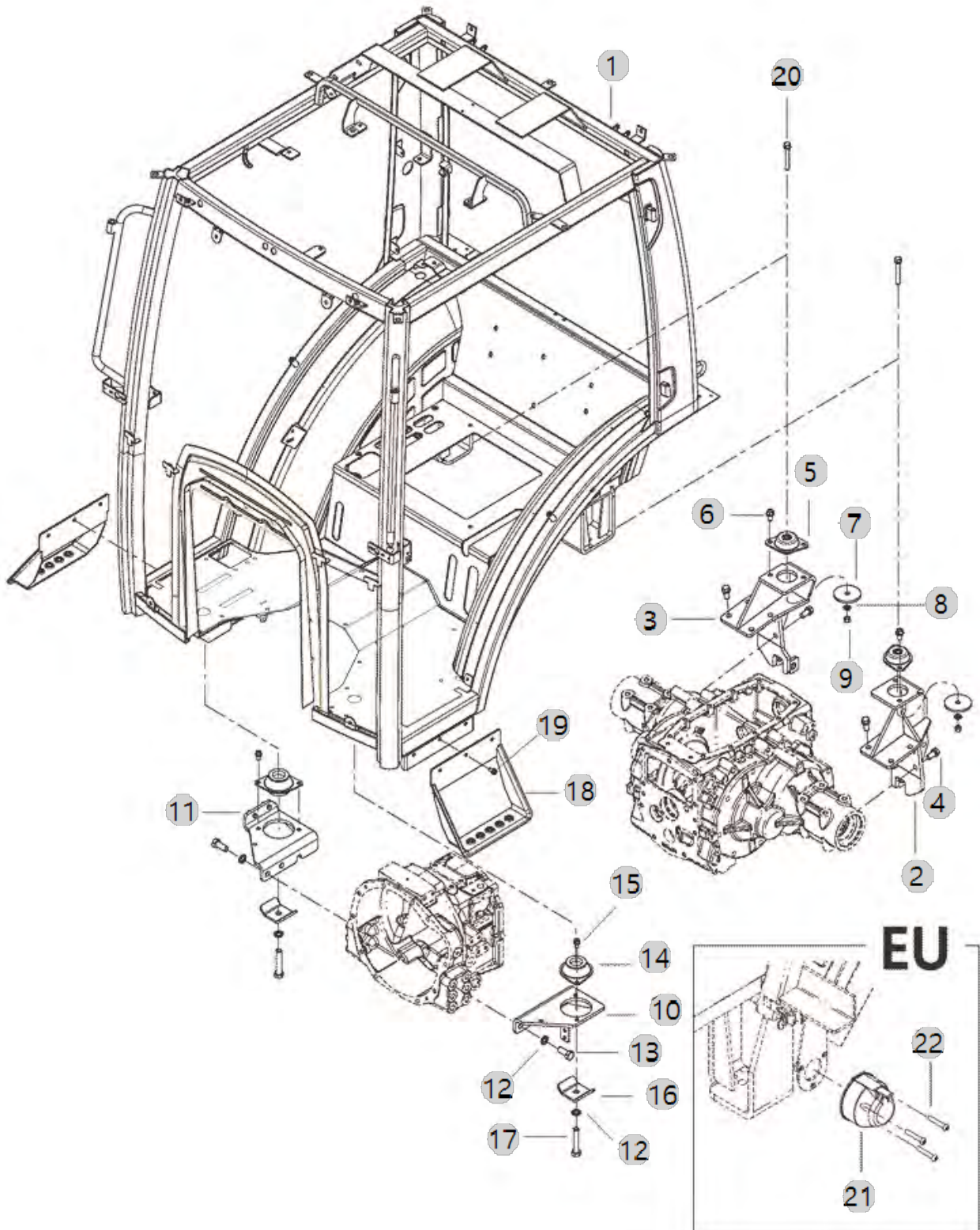
G02010-A

F50CHN_EU_FL
(AC02151)

CABIN FRAME ASS'Y

Year/Month

2023-01-18



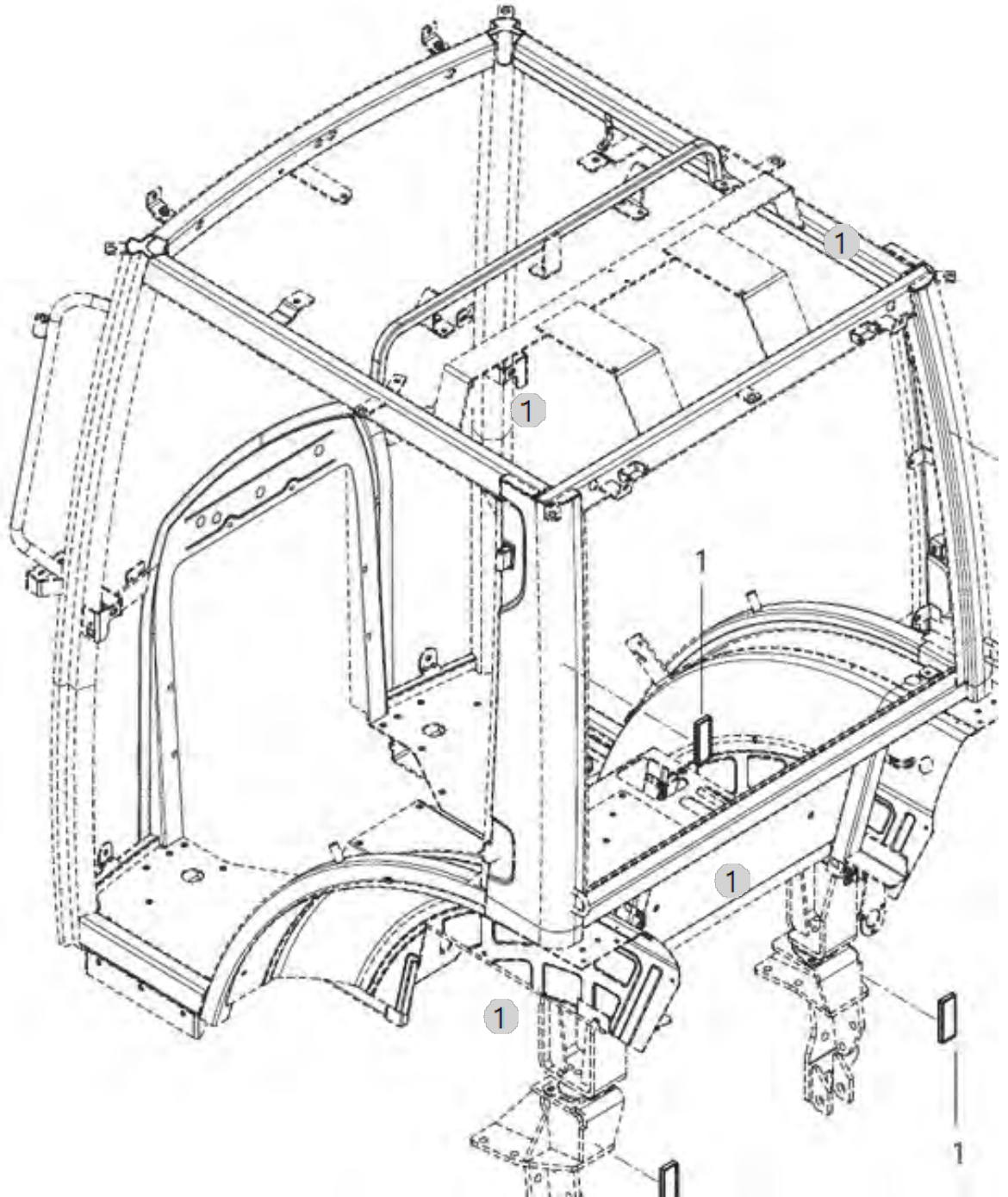
G02010-B

F50CHN_EU_FL
(AC02151)

CABIN FRAME ASS'Y

Year/Month

2023-01-18



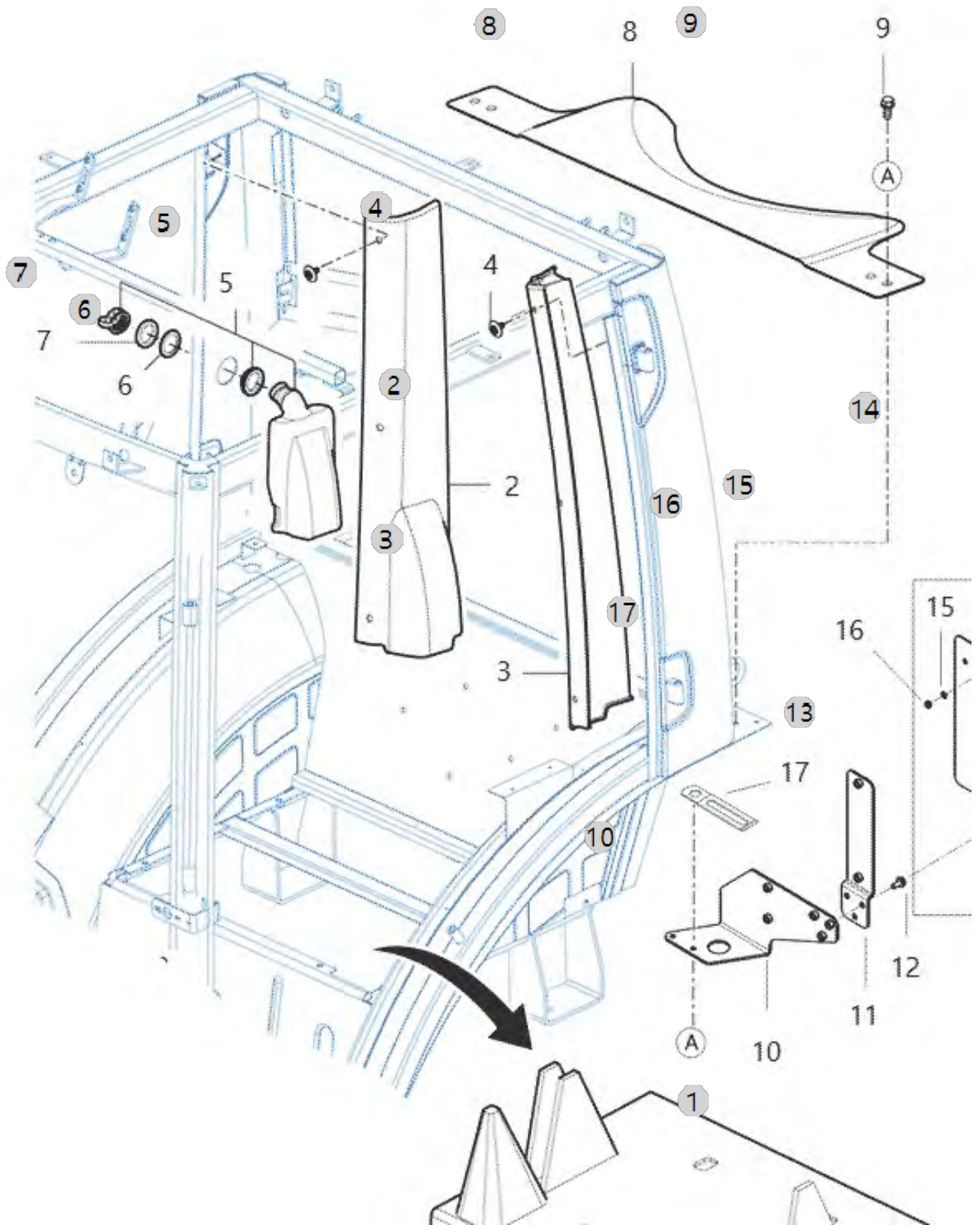
G02011

F50CHN_EU_FL
(AC02151)

PILLAR COVER ASS'Y

Year/Month

2023-01-18



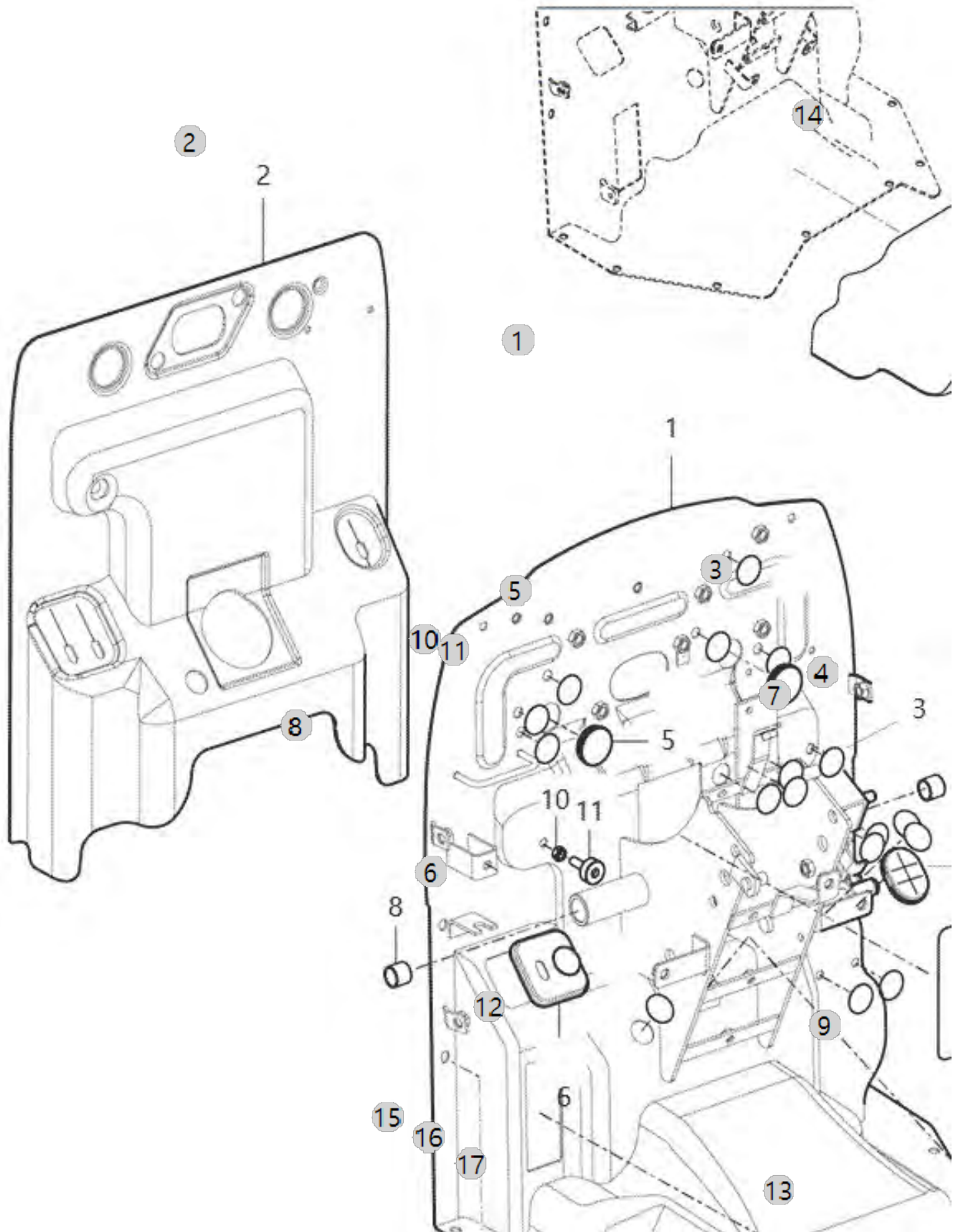
G02020

F50CHN_EU_FL
(AC02151)

DASHBOARD

Year/Month

2023-01-18



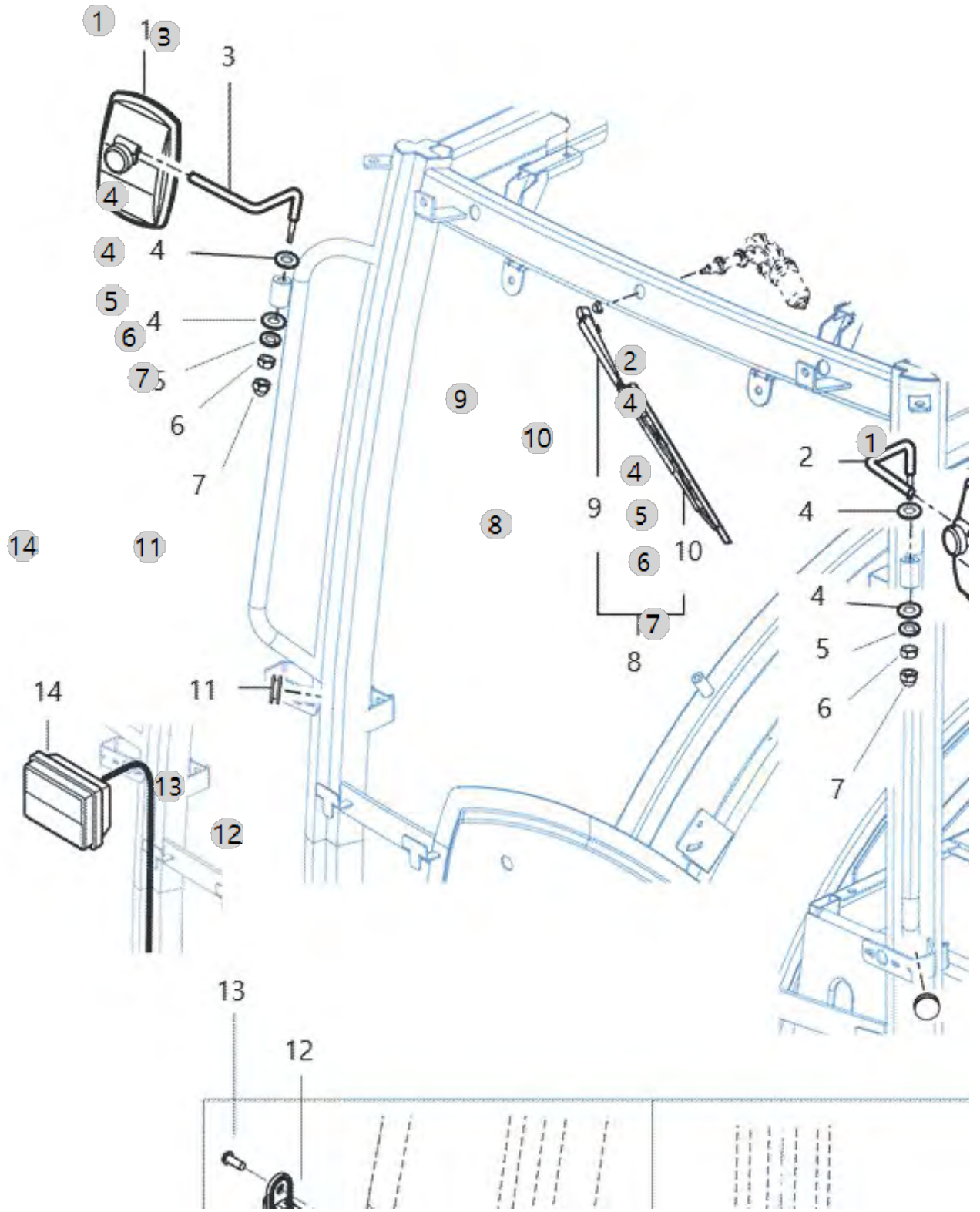
G02030

F50CHN_EU_FL
(AC02151)

SIDE MIRROR ASS'Y

Year/Month

2023-01-18



G02050_J

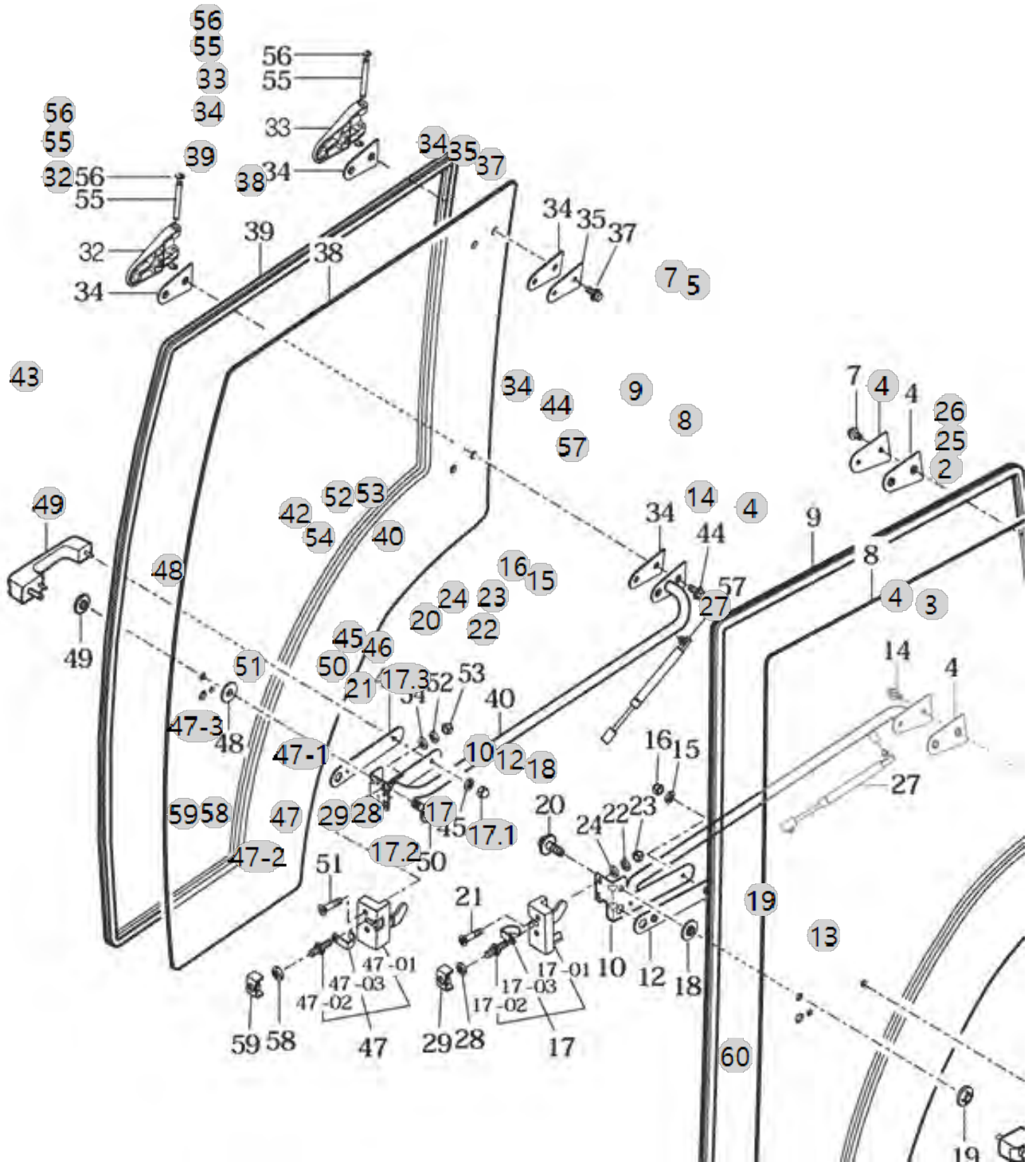
F50CHN_EU_FL
(AC02151)

DOOR ASS'Y

Year/Month

2023-01-18

61



G02050_J F50CHN_EU_FL (AC02151)		DOOR ASS'Y				Year/Month 2023-01-18
순번 (NO)	부품번호 (PART NO)	품명 (PART NAME)	품명 (PART NAME)	수량 (QTY)	규격 (SPEC)	비고 (REMARK)
2	TA00055490A	도어힌지조합 , 상/LH	HINGE COMP , UPR/LH	1		
3	TA00055491A	도어힌지조합 , 상/RH	HINGE COMP , UPR/RH	1		
4	TA00055492A	개스킷, 도어힌지	GASKET , DOOR HINGE	4		
5	TA00055501A	플레이트,도어힌지	PLATE , DOOR HINGE	1		
7	26014-080202	와셔볼이볼트(PW+SW)	BOLT, HEX. 8-20	2	M8XP1.25X20	
8	TA00055493A	그라스 도어/LH	GLASS LH/ DOOR	1		
9	TA00055494A	인슐레이터 , 도어	INSULATOR , DOOR	1		
10	TA00055502A	가이드 조합 , LH/도어	GUIDE COMP , LH/ DOOR	1		
12	TA00055495A	개스킷, 도어손잡이	GASKET,DOOR GRIP	1		
13	TA00055496A	잠금장치 손잡이ASSY	GRIP ASSY, LOCK/HANDLE	1		
14	26014-080202	와셔볼이볼트(PW+SW)	BOLT, HEX. 8-20	2	M8XP1.25X20	
15	22217-060000	스프링와셔	WASHER, SPRING (Φ 06)	2	M6	
16	26656-060002	캡너트	CAP NUT	2	M6	
17	TA00055497A	록크SET,LH/도어	LOCK SET , LH/DOOR	1		
17.1	TA00055500A	로크ASSY,LH/도어	LOCK ASSY, LH/DOOR	1		
17.2	TA00055498A	스트라이크	STRIKER	1		
17.3	TA00055499A	가이드	GUARD	1		
18	TA00051654A	크로메트(13X17X02)	GROMMET , 13X17X02	1		
19	TA00051656A	그라스너트조합	NUT COMP , GLASS	1		
20	26014-060122	와셔조립육각볼트(+SW,PW)	Bolt, Hexa (6-12)	1	M6X1.0X12	
21	26577-080402	(+)자홈접시작은나사	SCREW , C/R FLAT	2	M8X40	
22	22217-080000	스프링와셔8	WASHER, SPRING (Φ 08)	2	M8	
23	26656-080002	캡너트M8	CAP NUT M8	2		
24	22137-080000	와셔8	WASHER, PLAIN (Φ 08)	2	M8	
25	TA00055506A	핀 , 도어힌지	PIN, HINGE DOOR	2		
26	22272-000070	E형스냅링	RING, CIRCLIP (Φ 07)	4	D7	
27	TA00055507A	댐퍼(도어)ASSY_20kg	DAMPER ASSY , DOOR	1		
28	22217-100000	스프링와셔	WASHER, SPRING (Φ 10)	1	M10	
29	TA00055508A	브래킷 조합,도어로크	BRACKET COMP , DOOR LOCK	1		
32	TA00055490A	도어힌지조합 , 상/LH	HINGE COMP , UPR/LH	1		
33	TA00055491A	도어힌지조합 , 상/RH	HINGE COMP , UPR/RH	1		
34	TA00055492A	개스킷, 도어힌지	GASKET , DOOR HINGE	4		
35	TA00055501A	플레이트,도어힌지	PLATE , DOOR HINGE	1		
37	26014-080202	와셔볼이볼트(PW+SW)	BOLT, HEX. 8-20	2	M8XP1.25X20	
38	TA00055511A	그라스 , 도어/RH	GLASS , RH/DOOR	1		
39	TA00055494A	인슐레이터 , 도어	INSULATOR , DOOR	1		
40	TA00055512A	가이드 조합 , RH/도어	GUIDE COMP , RH/DOOR	1		
42	TA00055495A	개스킷, 도어손잡이	GASKET,DOOR GRIP	1		
43	TA00055496A	잠금장치 손잡이ASSY	GRIP ASSY, LOCK/HANDLE	1		
44	26014-080202	와셔볼이볼트(PW+SW)	BOLT, HEX. 8-20	2	M8XP1.25X20	
45	22217-060000	스프링와셔	WASHER, SPRING (Φ 06)	2	M6	
46	26656-060002	캡너트	CAP NUT	2	M6	
47	TA00055515A	록크SET,RH/도어	LOCK SET , RH/DOOR	1		
47-1	TA00055516A	로크ASSY,RH/도어	LOCK ASSY, RH/DOOR	1		
47-2	TA00055498A	스트라이크	STRIKER	1		

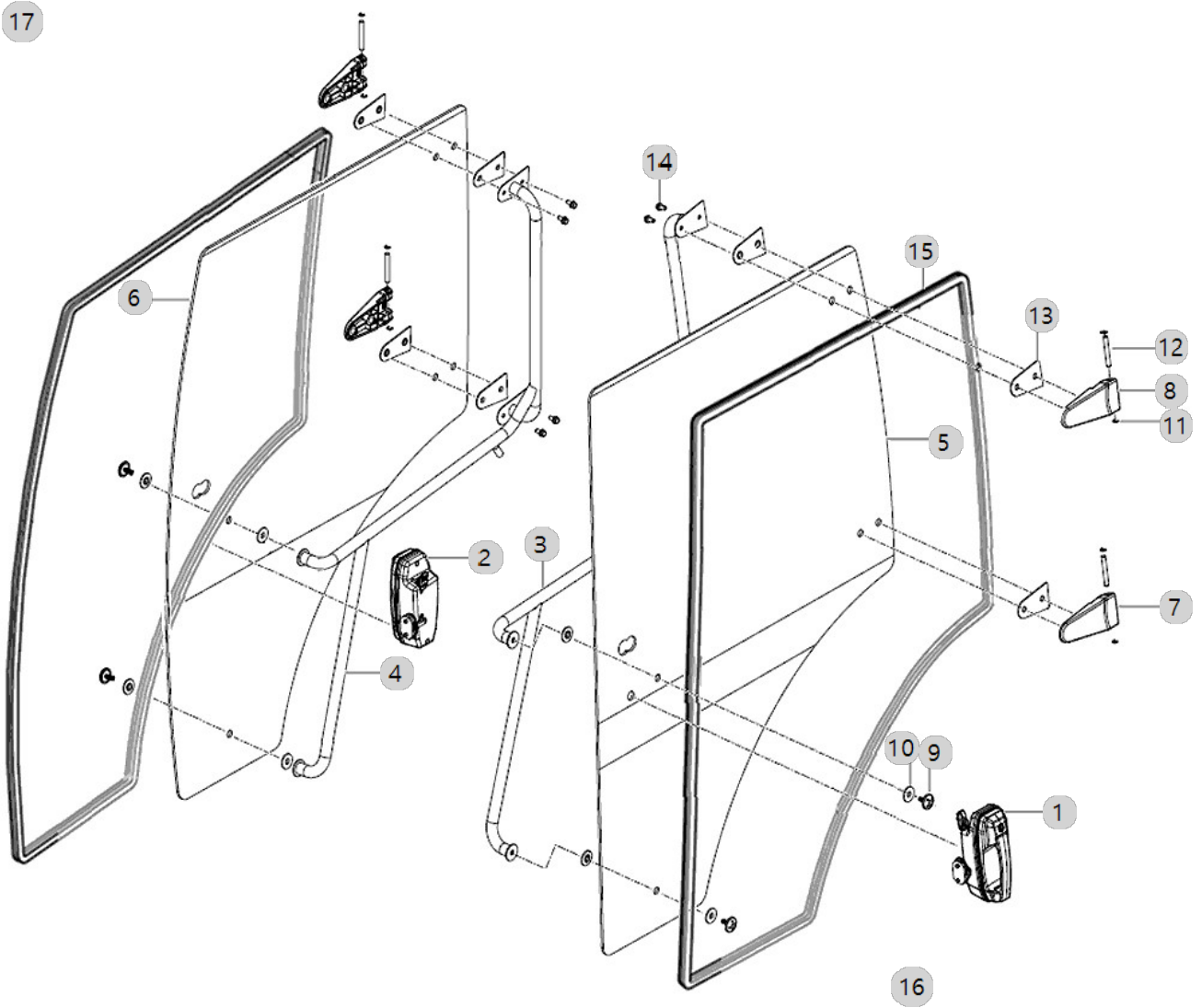
G02050_W

F50CHN_EU_FL
(AC02151)

DOOR ASS'Y

Year/Month

2023-01-18



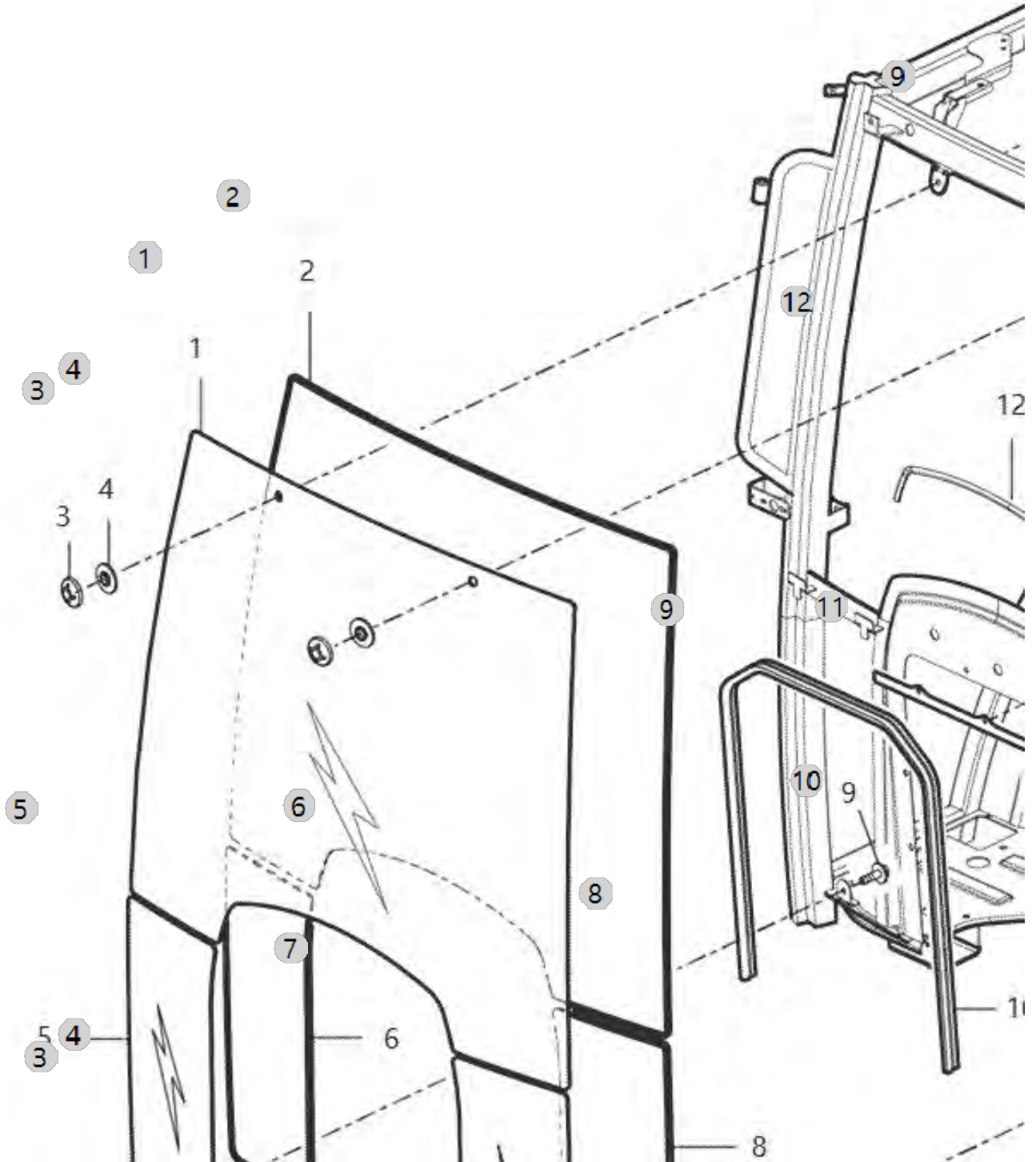
G02071

F50CHN_EU_FL
(AC02151)

FRONT WINDOW ASS'Y

Year/Month

2023-01-18



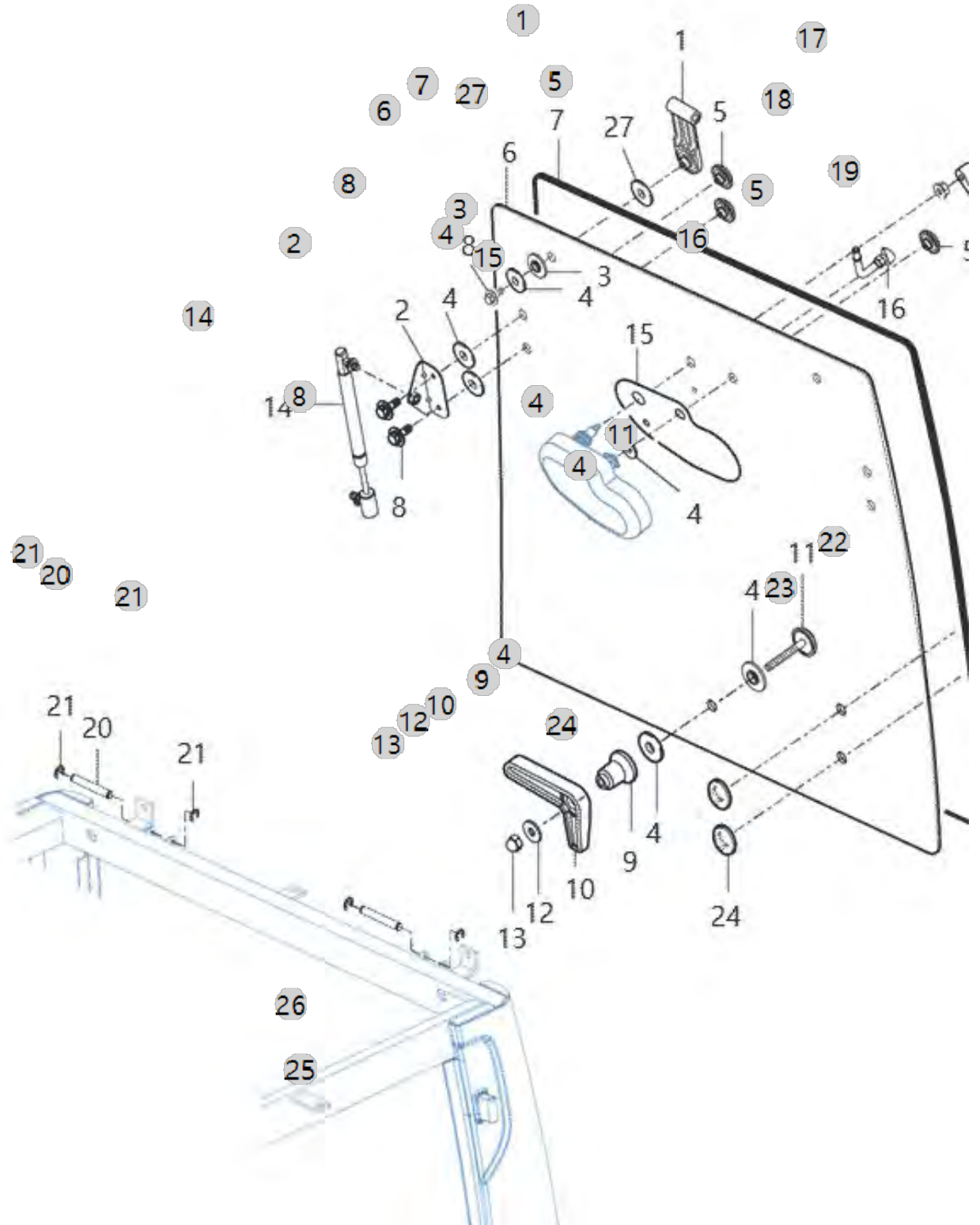
G02072

F50CHN_EU_FL
(AC02151)

REAR WINDOWS ASS'Y

Year/Month

2023-01-18



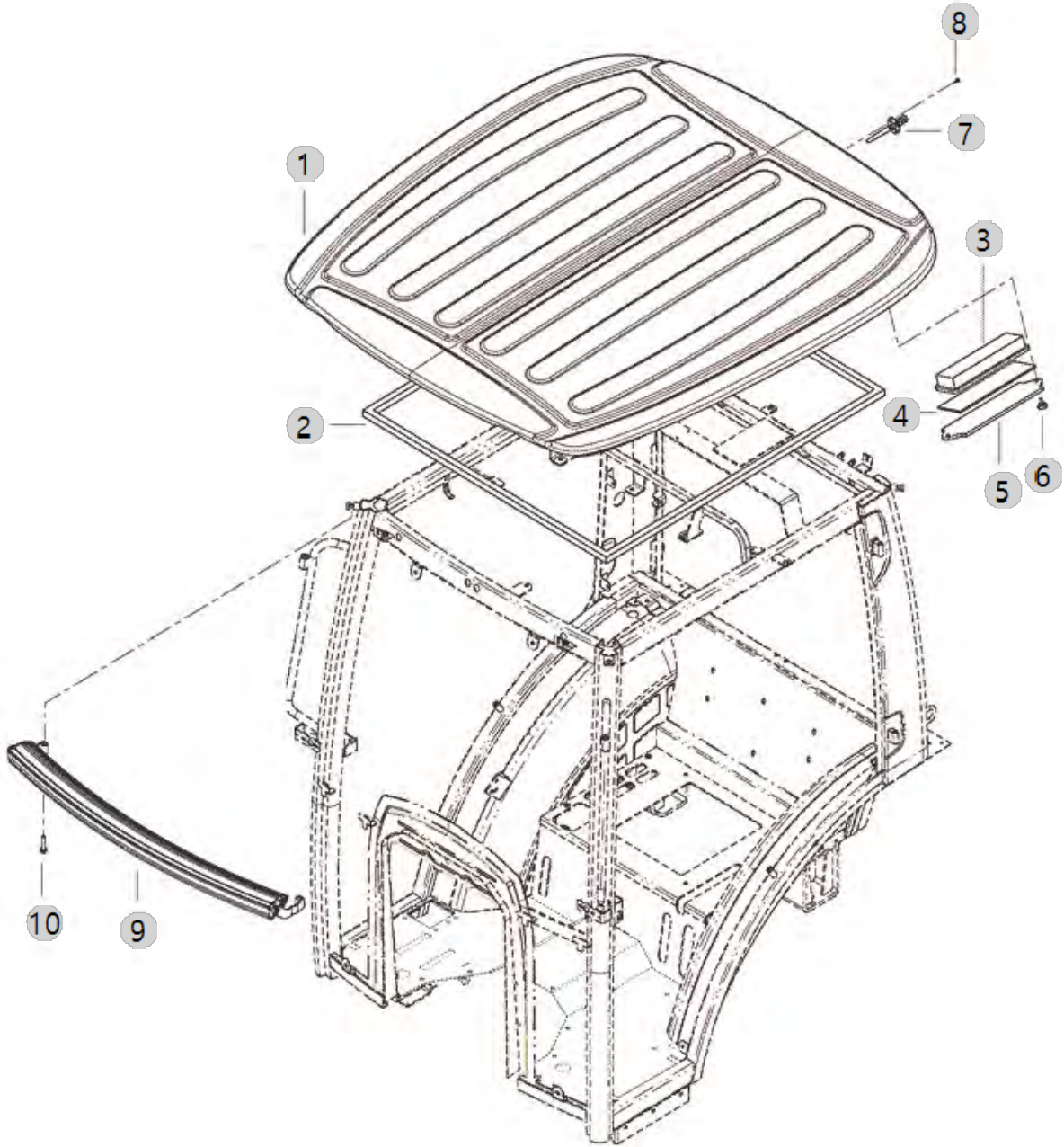
G02131

F50CHN_EU_FL
(AC02151)

ROOF(OUTER)

Year/Month

2023-01-18



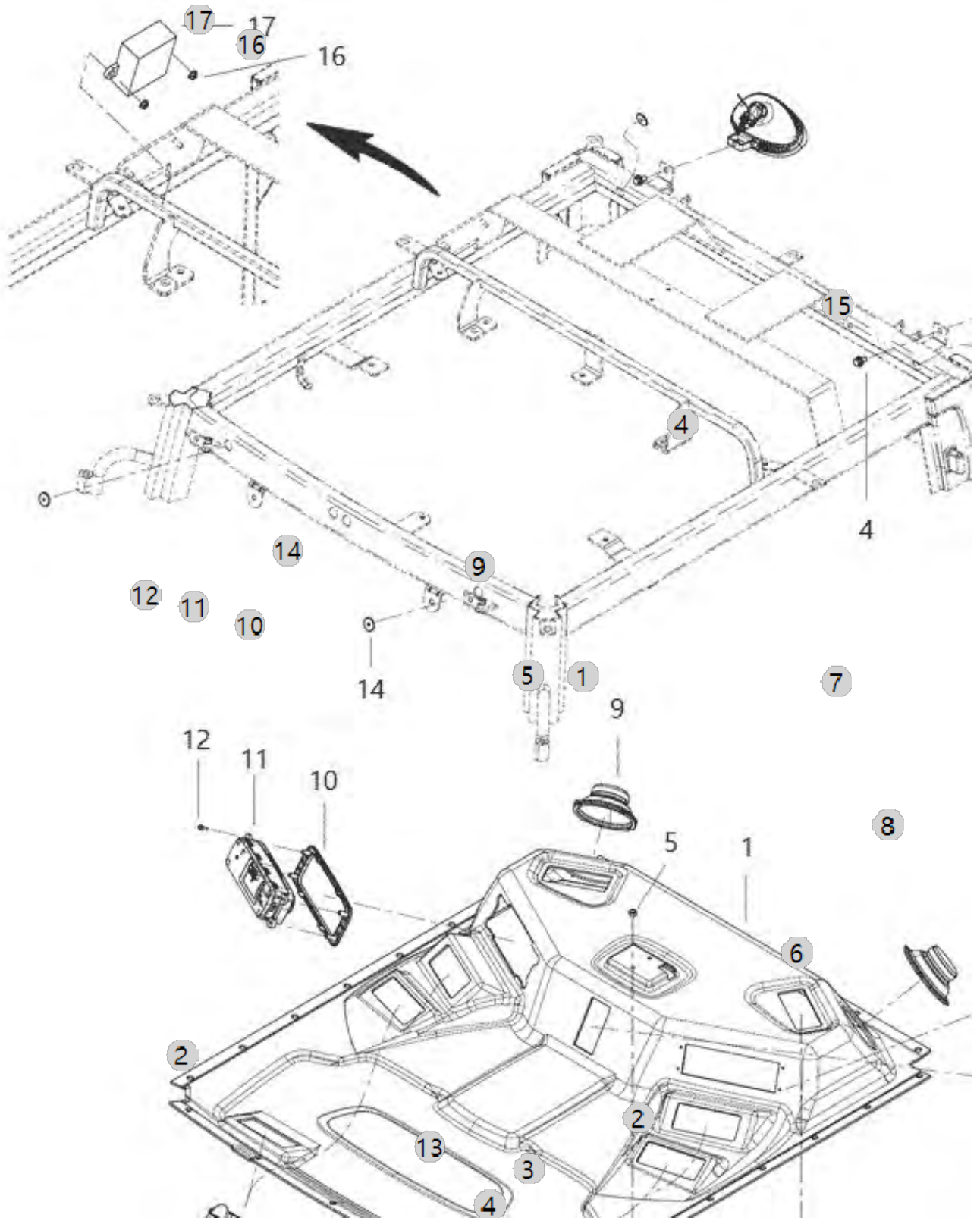
G02132

F50CHN_EU_FL
(AC02151)

ROOF/INNER

Year/Month

2023-01-18



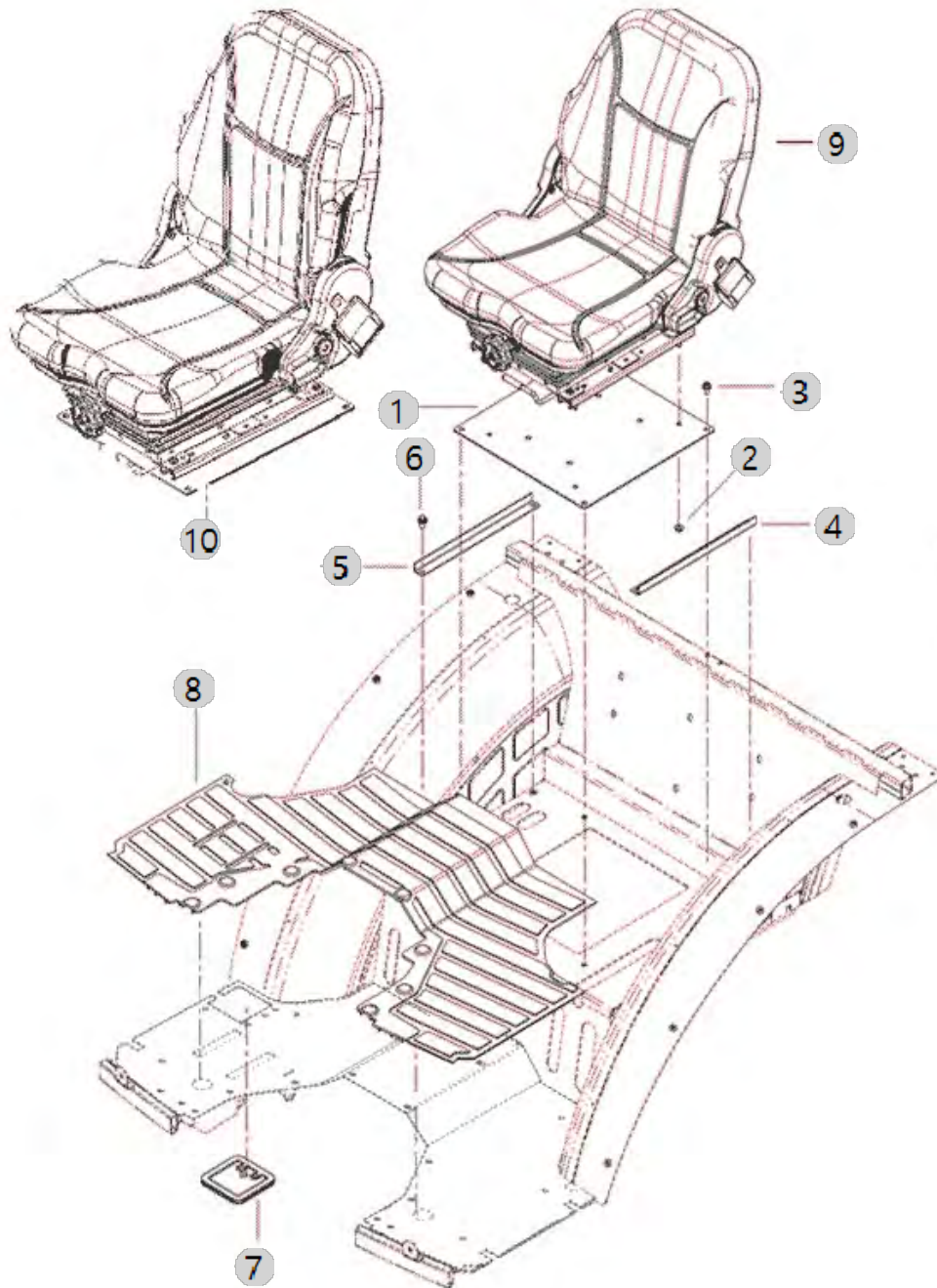
G02140

F50CHN_EU_FL
(AC02151)

DRIVER'S SEAT

Year/Month

2023-01-18



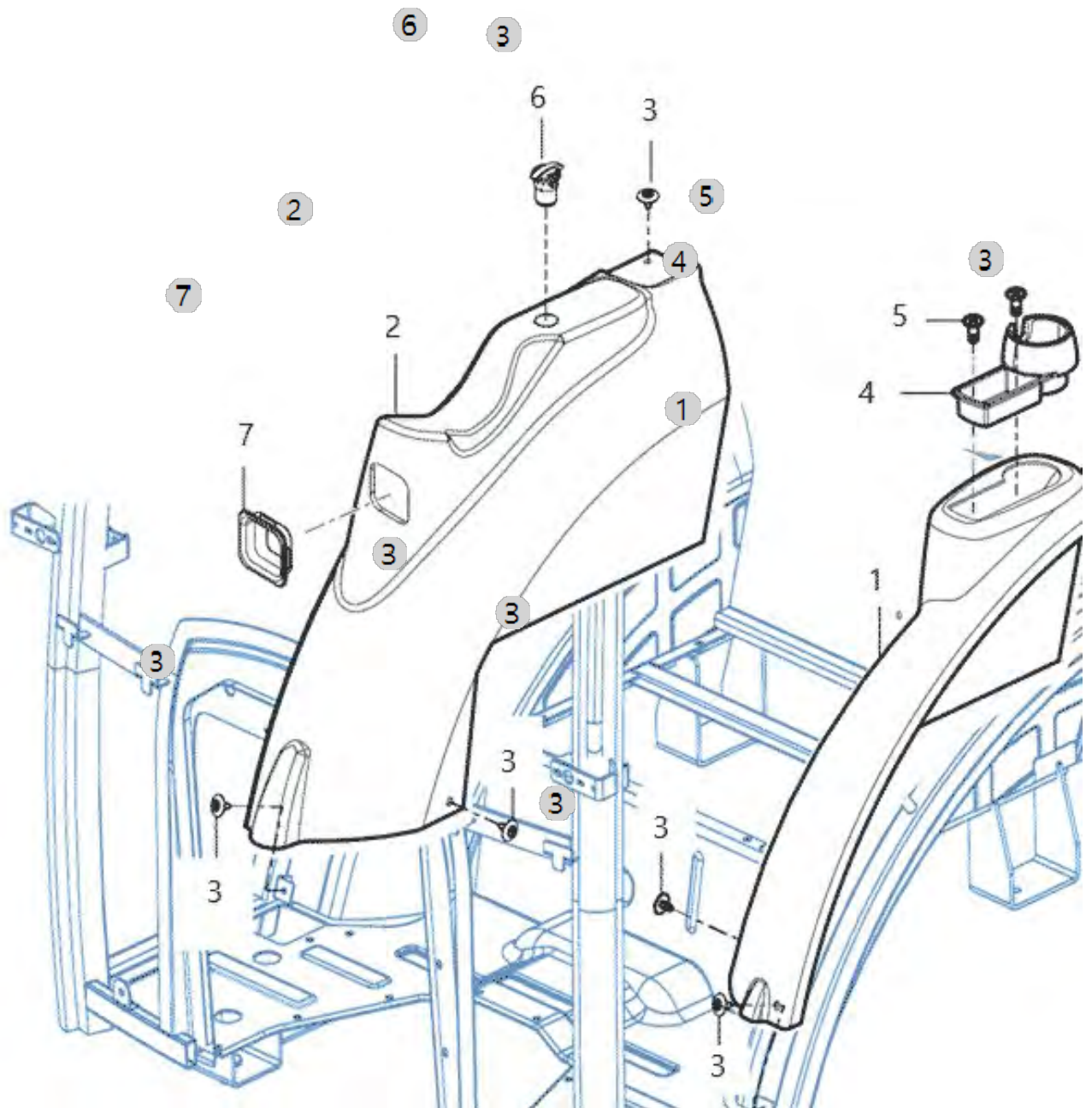
G02180

F50CHN_EU_FL
(AC02151)

FENDER COVER

Year/Month

2023-01-18



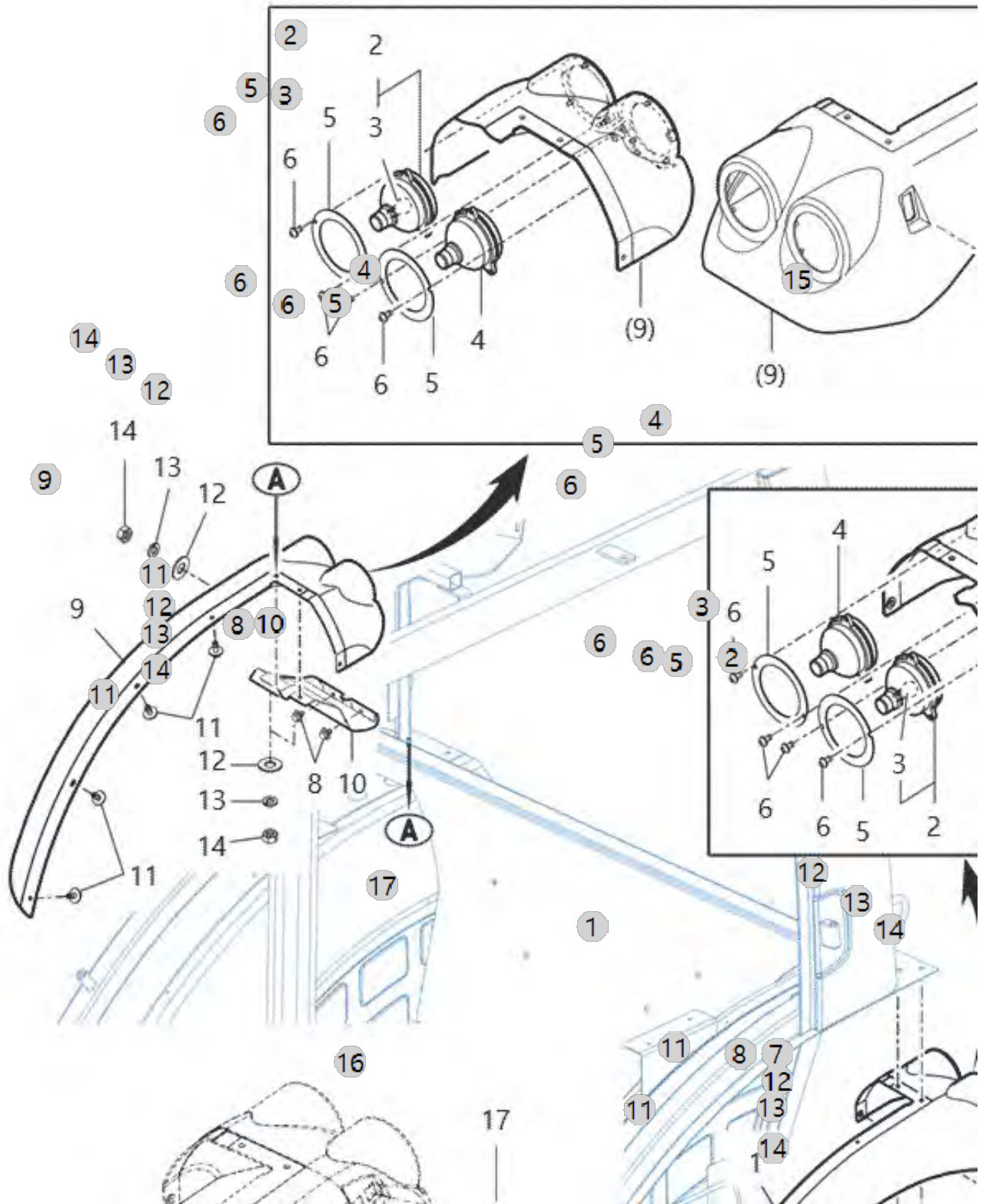
G02190

F50CHN_EU_FL
(AC02151)

FENDER

Year/Month

2023-01-18



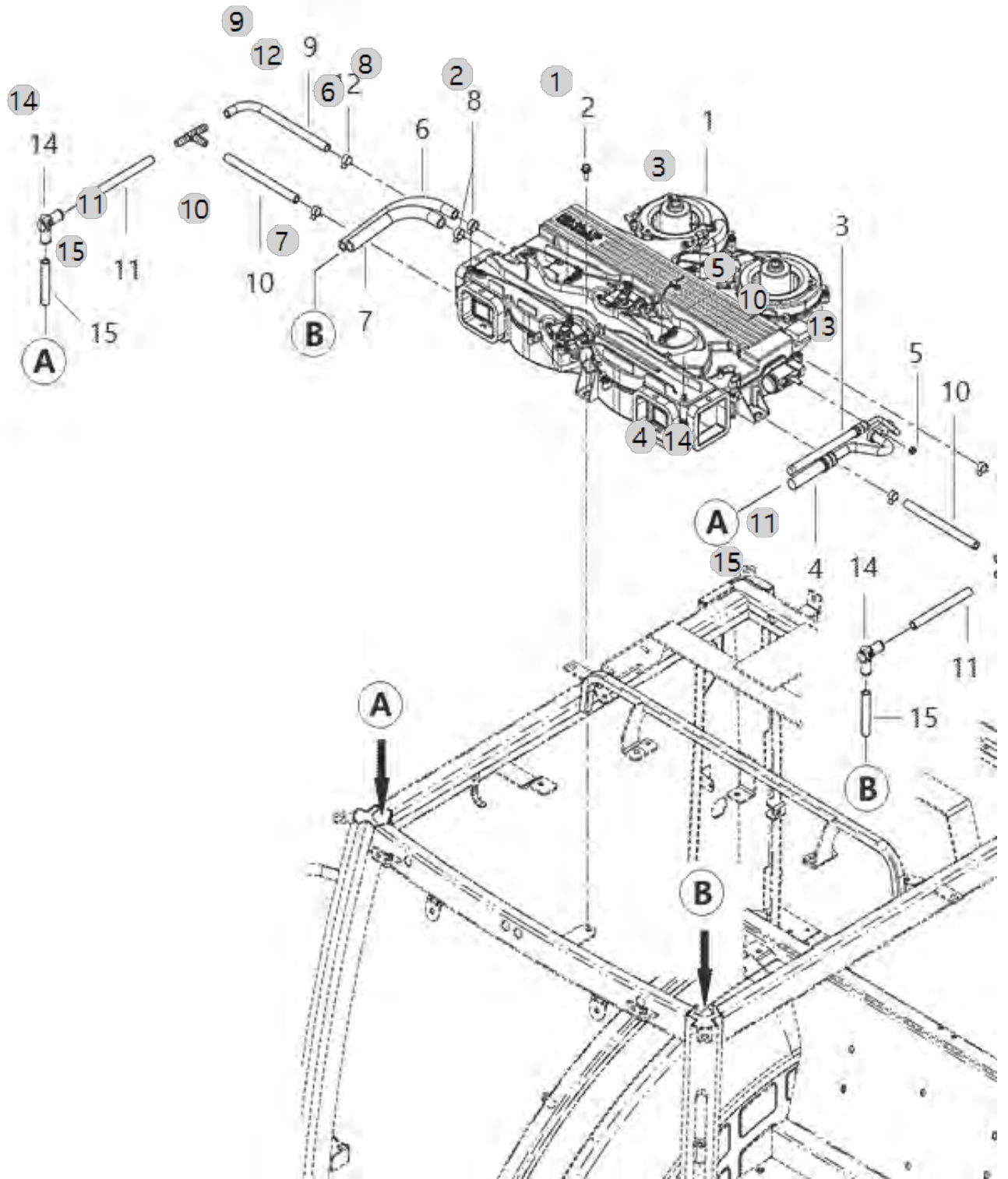
G03010

F50CHN_EU_FL
(AC02151)

A/C ASS'Y, CABIN

Year/Month

2023-01-18



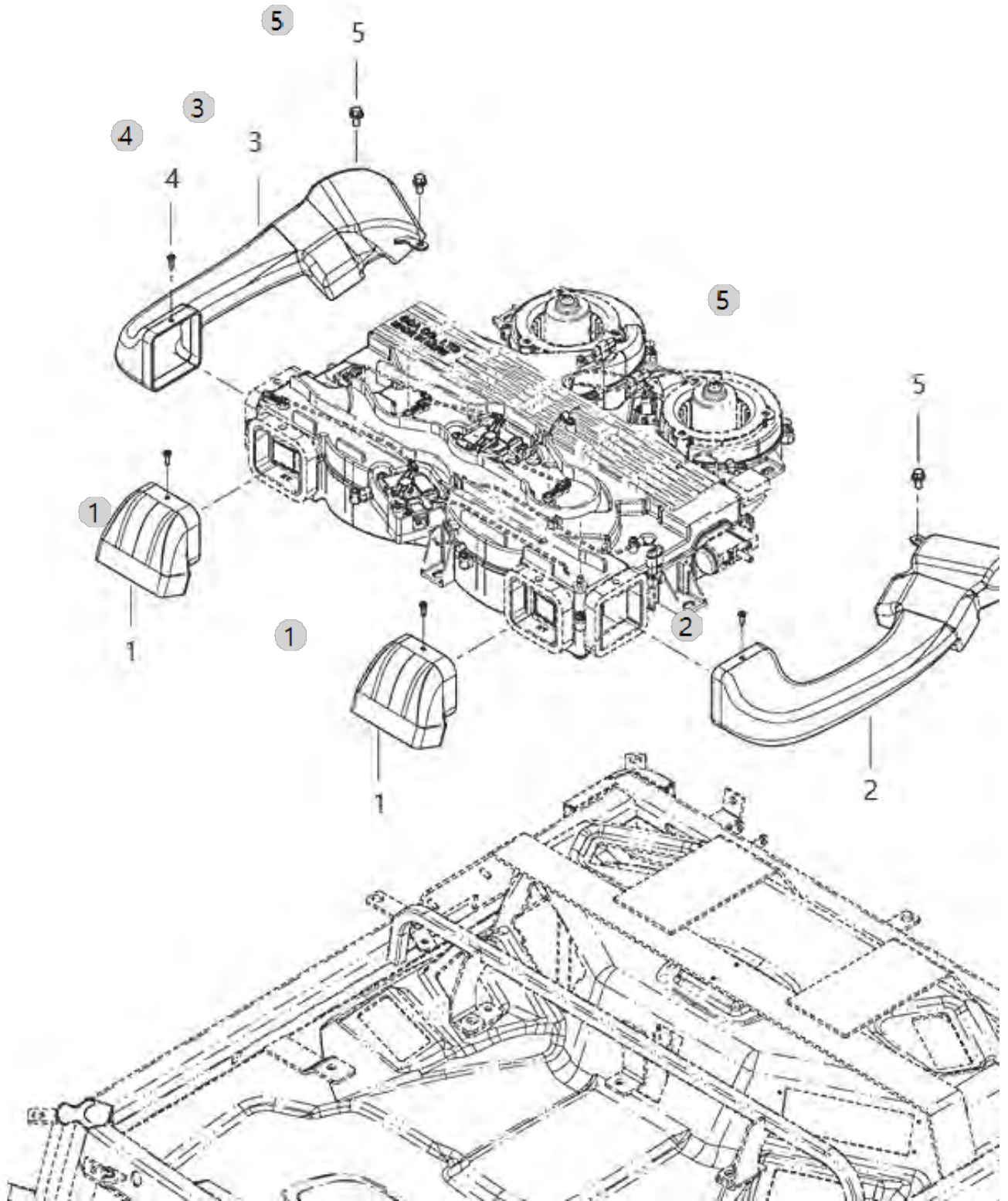
G03020

F50CHN_EU_FL
(AC02151)

A/C DUCT ASS'Y

Year/Month

2023-01-18



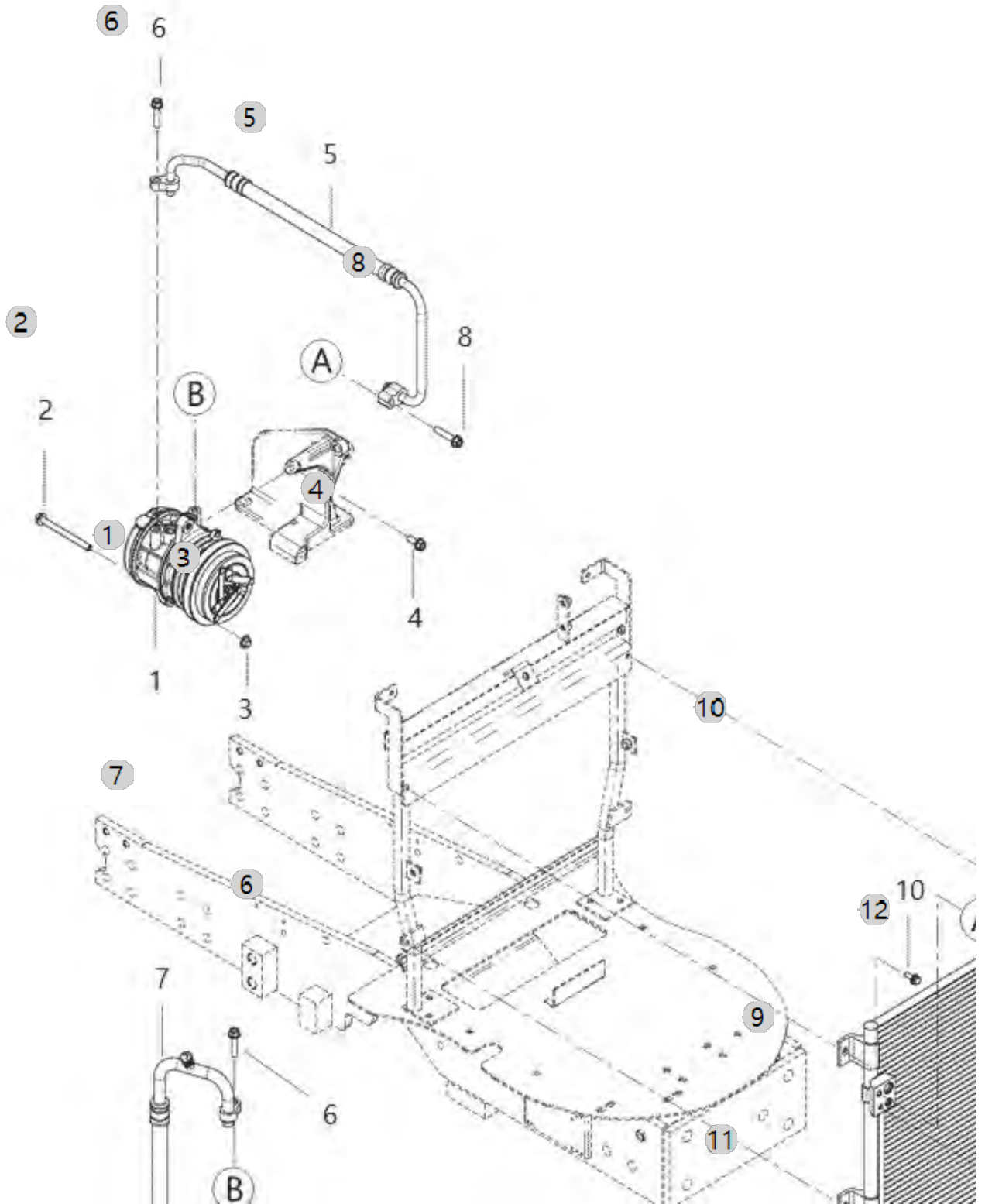
G03091B

F50CHN_EU_FL
(AC02151)

COMPRESSOR

Year/Month

2023-01-18



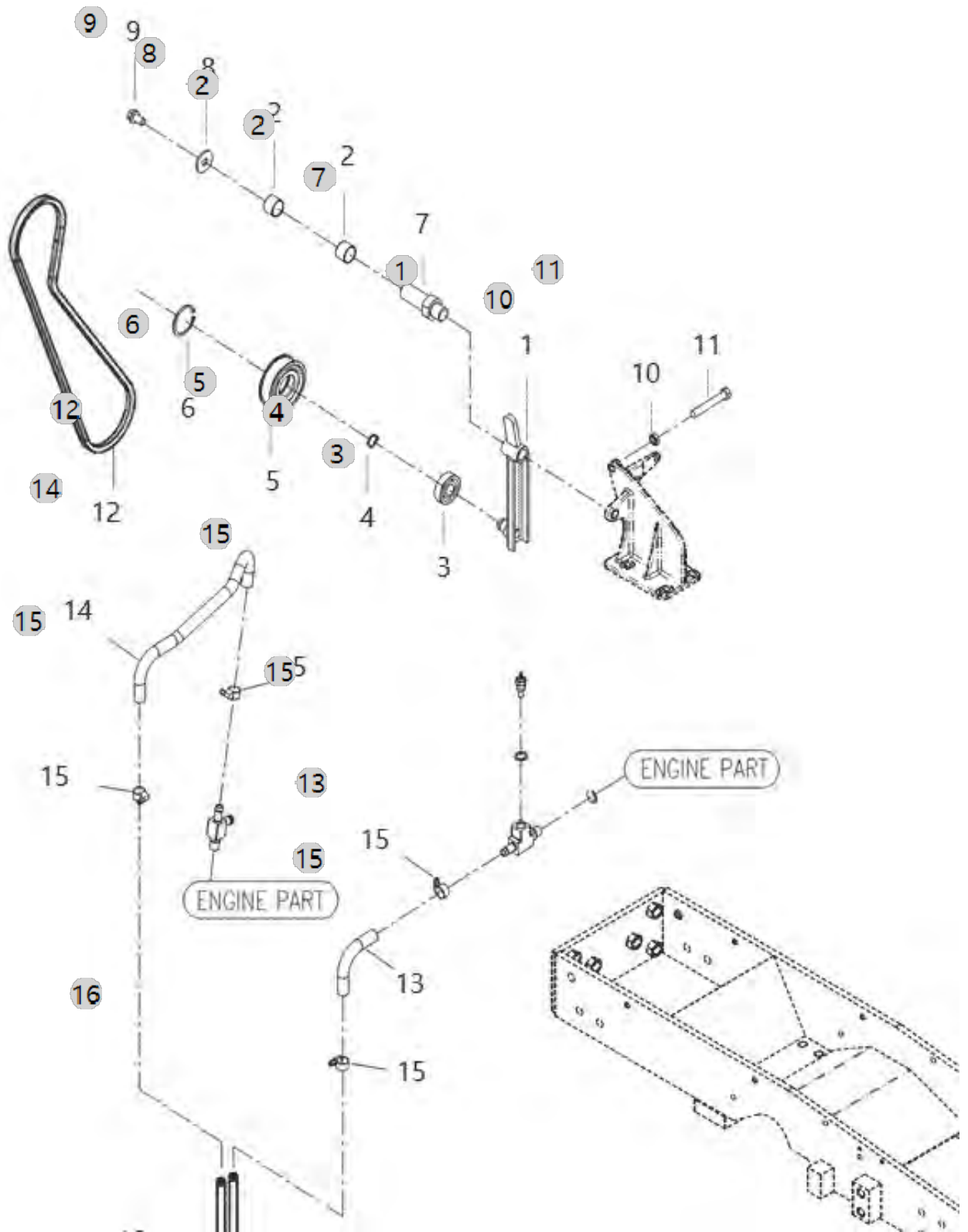
G03092A

F50CHN_EU_FL
(AC02151)

TENSION PULLY

Year/Month

2023-01-18



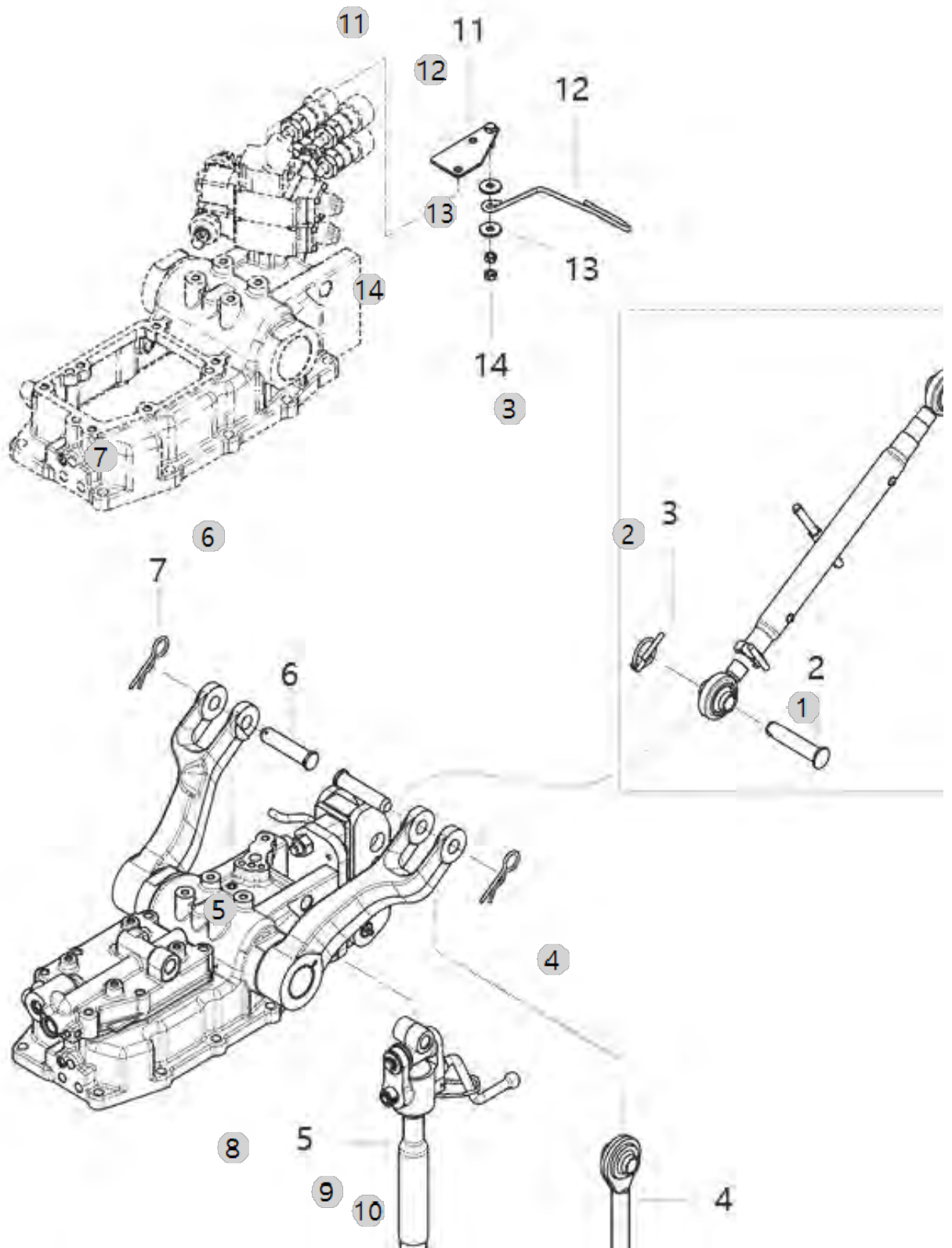
G05020

F50CHN_EU_FL
(AC02151)

TOP LINK, LIFT LINK

Year/Month

2023-01-18



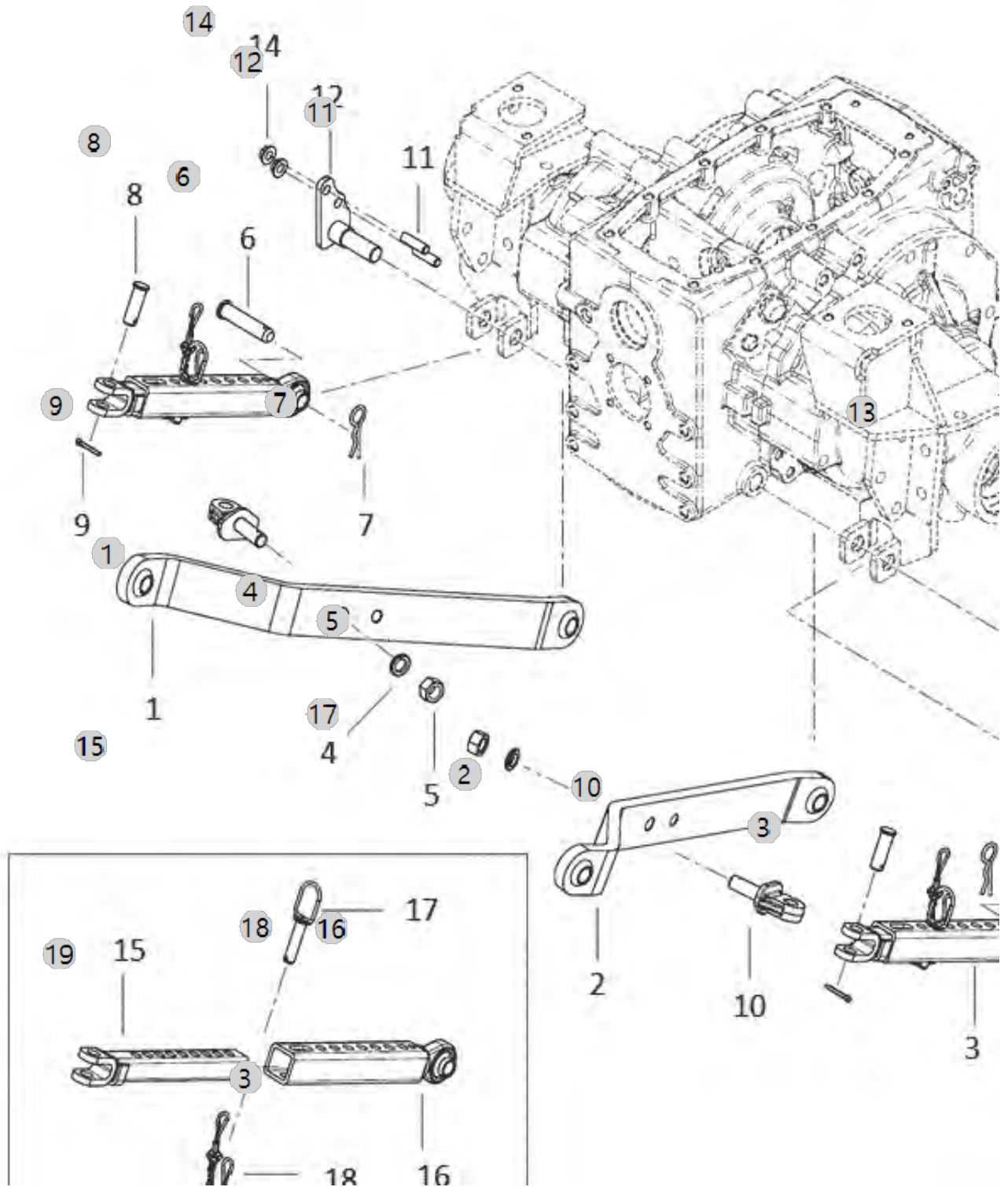
G05030

F50CHN_EU_FL
(AC02151)

LOWER LINK

Year/Month

2023-01-18



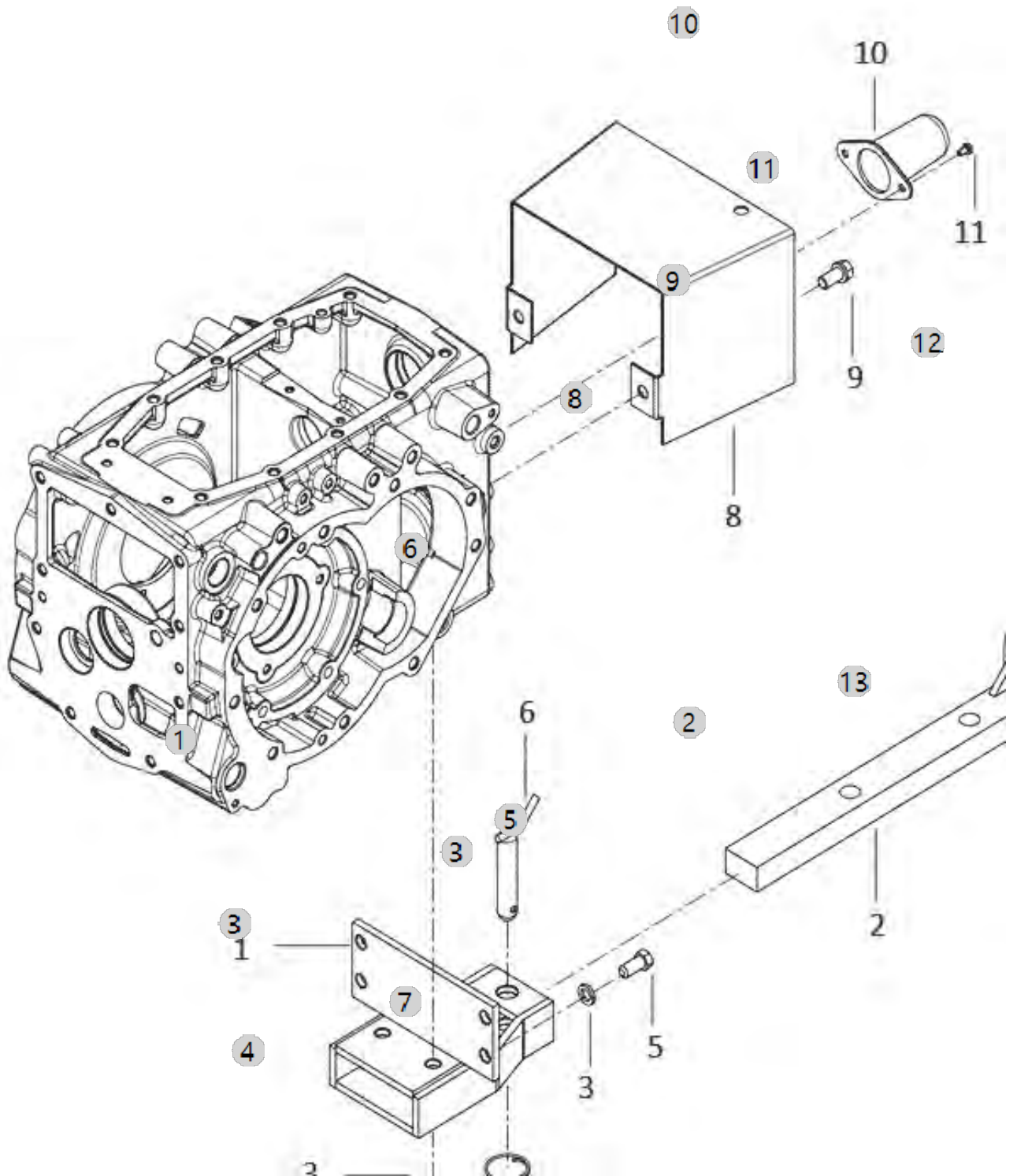
G05070

F50CHN_EU_FL
(AC02151)

DRAWBAR HITCH

Year/Month

2023-01-18



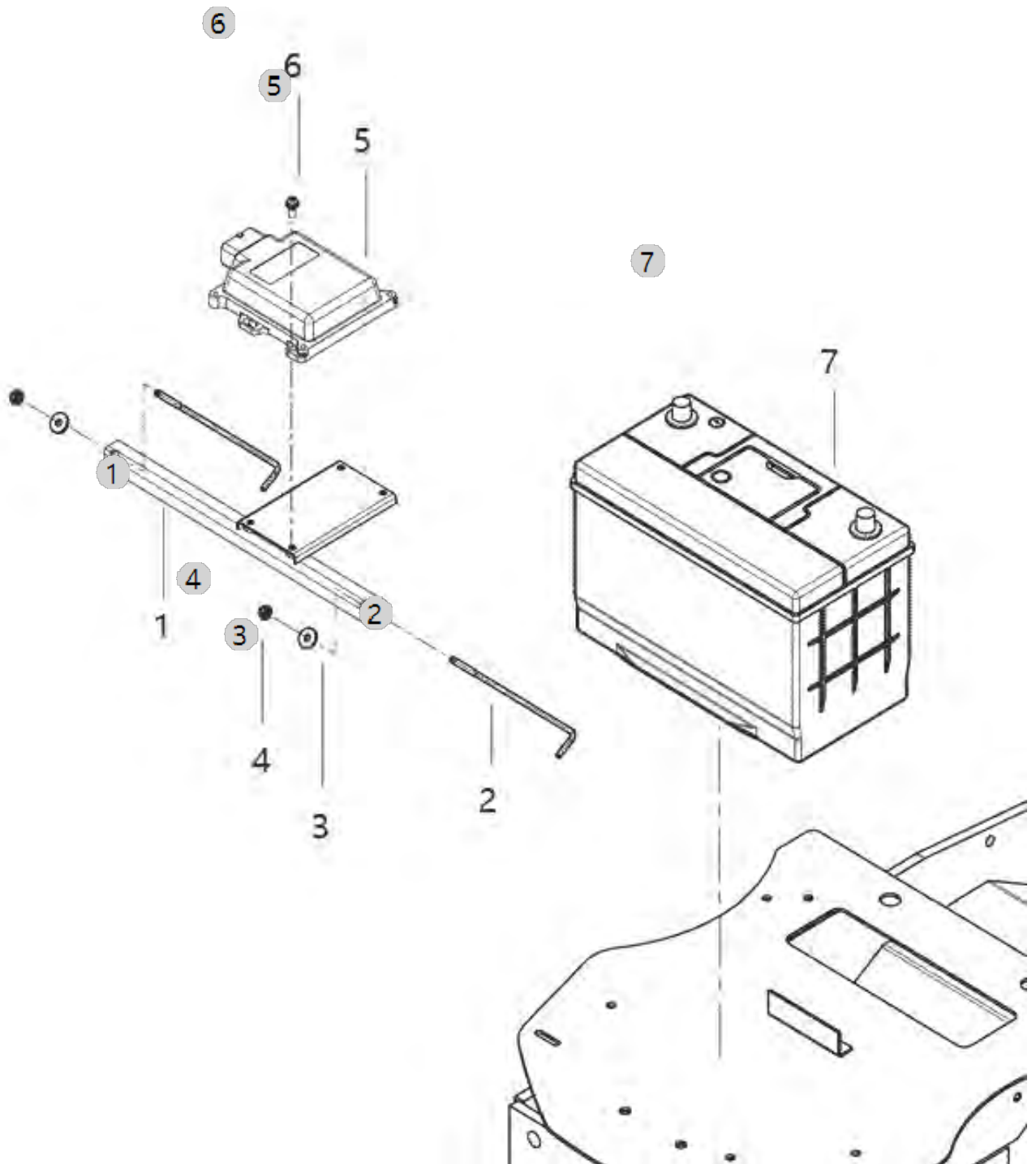
H01030

F50CHN_EU_FL
(AC02151)

BATTERY

Year/Month

2023-01-18



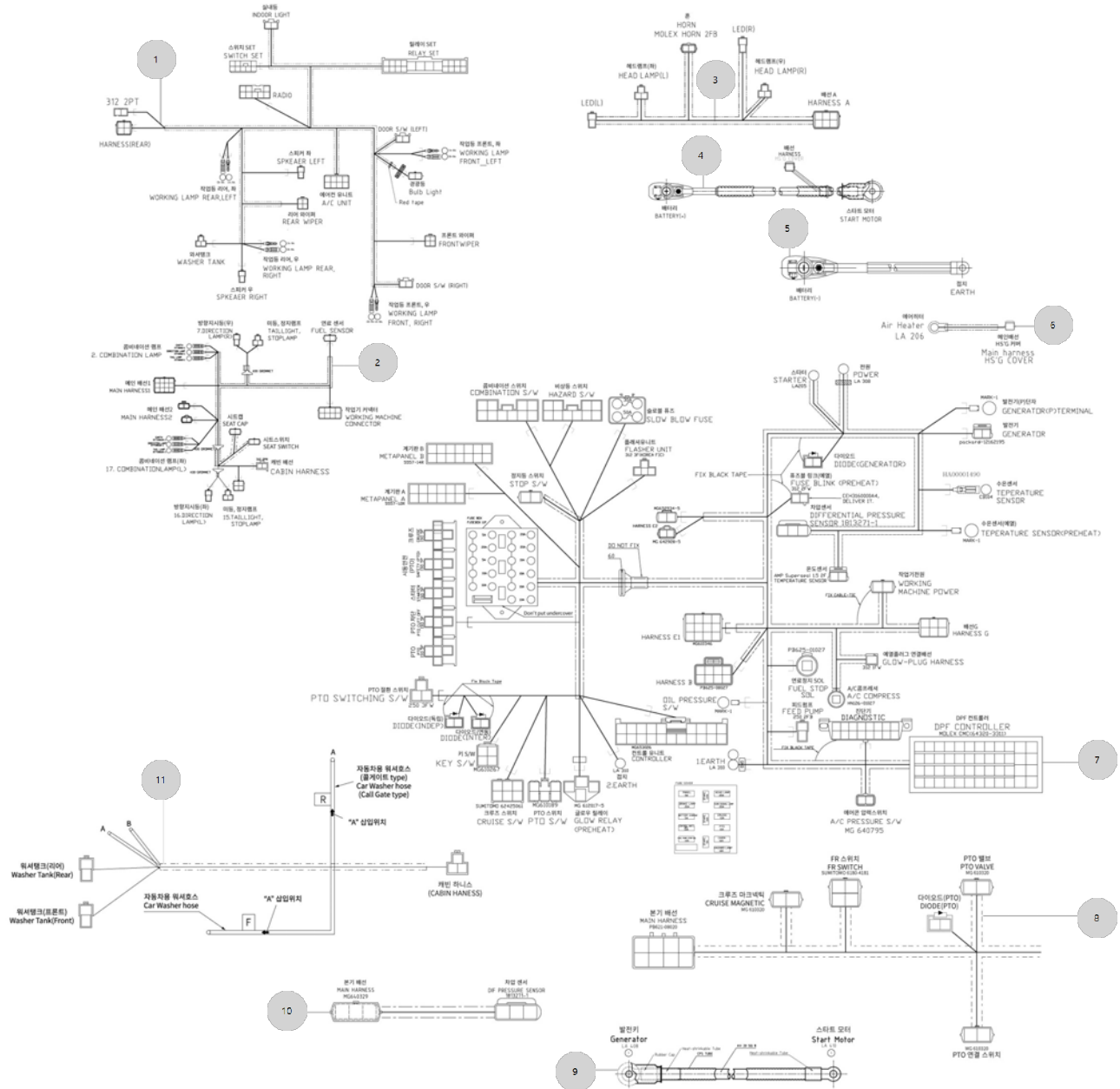
H03000

F50CHN_EU_FL
(AC02151)

HRANESS

Year/Month

2023-01-18



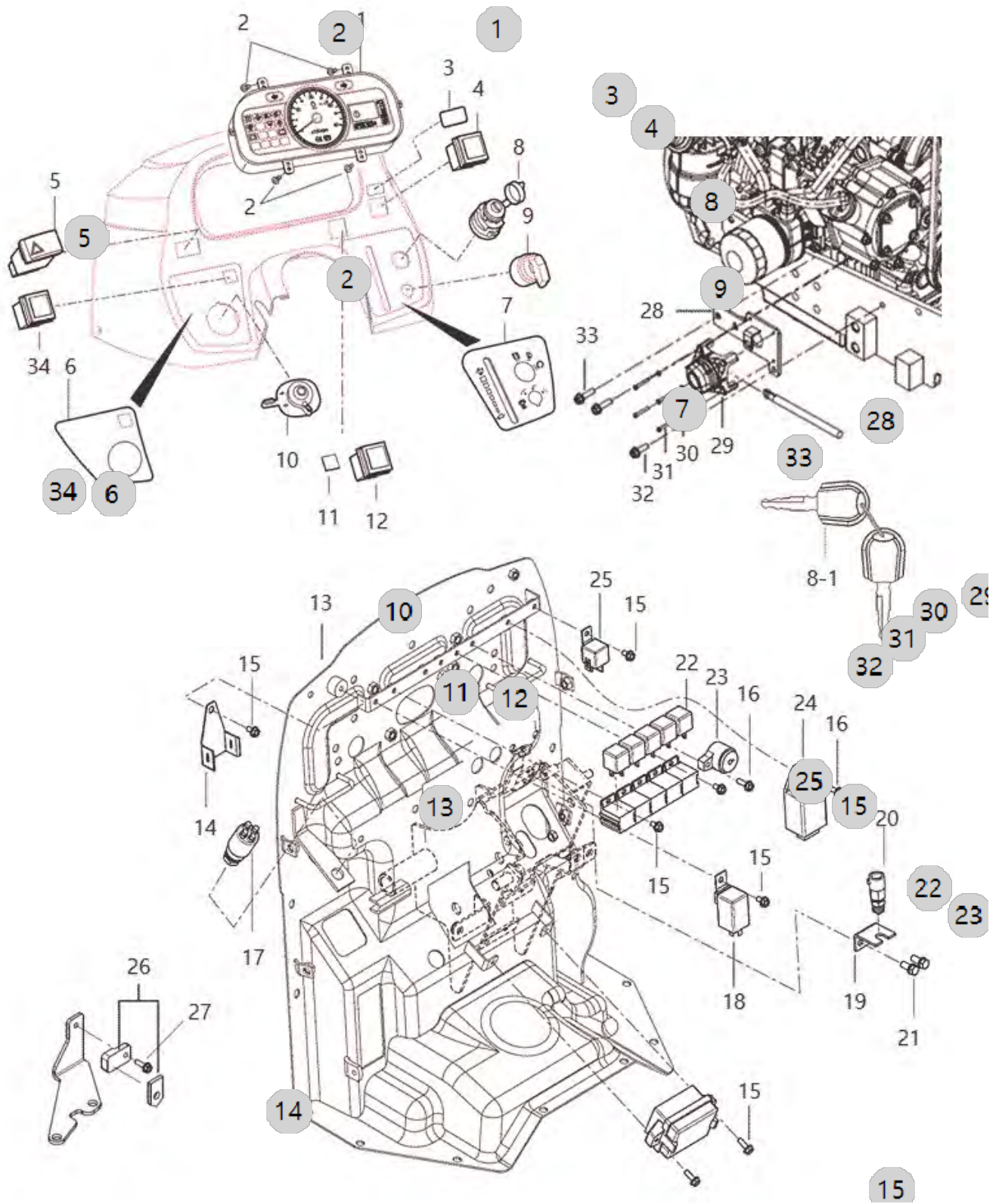
H04050

F50CHN_EU_FL
(AC02151)

SWITCH

Year/Month

2023-01-18



I03000A

F50CHN_EU_FL
(AC02151)

NAME PLATE

Year/Month

2023-01-18

1-1 **F36Chn**

1-2 **F42Chn**

1-3 **F50Chn**

2

Serial Number
 QTY#
 TRADE NAME - TYM
 TYM CORPORATION
 EU APPROVAL NO
e6
 00058U3
 Type: FT Tractor L, 300
 Model:
 TYM (TYM CORPORATION)
 THIS LABEL MUST BE KEPT
 INTACT AT ALL TIMES
 TA0002411A MADE IN KOREA

3

WARNING
TRADE PROTECTIVE RULE
 1. Keep PTO shield in place at all times.
 2. Do not operate the PTO at speeds faster than the speed recommended by the implement manufacturer.
 3. For safety PTO always implements set shielded in working position.
 4. Always handle, start and stopping slowly.

4

How to use rear remote
 Lever
 Rear Remote Connection
 A1 A2
 B1 B2
 TA0002411A

5

780
 560
 M3000-4-03A

6

WARNING
HOT SURFACE

7

TA0003311A

8

WARNING
 Use seat belt
 NTES150000C4

9

CAUTION
 Always use Safety Pins
 TA0003311A

10

CAUTION
 Always use Safety Pins
 TA0003311A

11

CAUTION
DIESEL ONLY
 TZE4190000C4

12

Vertical 700 Kg
Horizontal 4,000 Kg
e6
 00099NS
 TA0007285A

13

BONNET OPEN
 TA0003311A

14

A
 B
 C

15

HYDRA LIFT

16

DANGER
 Start only from seat in park or neutral.
 Starting in gear kits.
 TZE5110000E4

17

HYDRA LIFT

18

CAUTION
 1. Check for PTO rotational velocity.
 2. Before clearing the debris, make sure that someone is at a safe distance from the wheel area that the PTO is still.
 3. Do not allow someone to be in the wheel area.
 4. Before clearing debris, make sure that the tractor is in park, the PTO is neutral, and the engine is off.
 5. Place the implement on the ground.
 6. Place the implement on the ground.
 7. Turn the key to the "OFF" position.
 8. Do not touch the PTO or the implement until the PTO is stopped.
 9. Do not touch the PTO or the implement until the PTO is stopped.
 10. Do not touch the PTO or the implement until the PTO is stopped.
 11. Do not touch the PTO or the implement until the PTO is stopped.
 12. Do not touch the PTO or the implement until the PTO is stopped.
 13. Do not touch the PTO or the implement until the PTO is stopped.
 14. Do not touch the PTO or the implement until the PTO is stopped.
 15. Do not touch the PTO or the implement until the PTO is stopped.
 16. Do not touch the PTO or the implement until the PTO is stopped.
 17. Do not touch the PTO or the implement until the PTO is stopped.
 18. Do not touch the PTO or the implement until the PTO is stopped.
 19. Do not touch the PTO or the implement until the PTO is stopped.
 20. Do not touch the PTO or the implement until the PTO is stopped.
 21. Do not touch the PTO or the implement until the PTO is stopped.
 22. Do not touch the PTO or the implement until the PTO is stopped.
 23. Do not touch the PTO or the implement until the PTO is stopped.
 24. Do not touch the PTO or the implement until the PTO is stopped.
 25. Do not touch the PTO or the implement until the PTO is stopped.
 26. Do not touch the PTO or the implement until the PTO is stopped.
 27. Do not touch the PTO or the implement until the PTO is stopped.
 28. Do not touch the PTO or the implement until the PTO is stopped.
 29. Do not touch the PTO or the implement until the PTO is stopped.
 30. Do not touch the PTO or the implement until the PTO is stopped.
 31. Do not touch the PTO or the implement until the PTO is stopped.
 32. Do not touch the PTO or the implement until the PTO is stopped.
 33. Do not touch the PTO or the implement until the PTO is stopped.
 34. Do not touch the PTO or the implement until the PTO is stopped.
 35. Do not touch the PTO or the implement until the PTO is stopped.
 36. Do not touch the PTO or the implement until the PTO is stopped.
 37. Do not touch the PTO or the implement until the PTO is stopped.
 38. Do not touch the PTO or the implement until the PTO is stopped.
 39. Do not touch the PTO or the implement until the PTO is stopped.
 40. Do not touch the PTO or the implement until the PTO is stopped.
 41. Do not touch the PTO or the implement until the PTO is stopped.
 42. Do not touch the PTO or the implement until the PTO is stopped.
 43. Do not touch the PTO or the implement until the PTO is stopped.
 44. Do not touch the PTO or the implement until the PTO is stopped.
 45. Do not touch the PTO or the implement until the PTO is stopped.
 46. Do not touch the PTO or the implement until the PTO is stopped.
 47. Do not touch the PTO or the implement until the PTO is stopped.
 48. Do not touch the PTO or the implement until the PTO is stopped.
 49. Do not touch the PTO or the implement until the PTO is stopped.
 50. Do not touch the PTO or the implement until the PTO is stopped.
 51. Do not touch the PTO or the implement until the PTO is stopped.
 52. Do not touch the PTO or the implement until the PTO is stopped.
 53. Do not touch the PTO or the implement until the PTO is stopped.
 54. Do not touch the PTO or the implement until the PTO is stopped.
 55. Do not touch the PTO or the implement until the PTO is stopped.
 56. Do not touch the PTO or the implement until the PTO is stopped.
 57. Do not touch the PTO or the implement until the PTO is stopped.
 58. Do not touch the PTO or the implement until the PTO is stopped.
 59. Do not touch the PTO or the implement until the PTO is stopped.
 60. Do not touch the PTO or the implement until the PTO is stopped.
 61. Do not touch the PTO or the implement until the PTO is stopped.
 62. Do not touch the PTO or the implement until the PTO is stopped.
 63. Do not touch the PTO or the implement until the PTO is stopped.
 64. Do not touch the PTO or the implement until the PTO is stopped.
 65. Do not touch the PTO or the implement until the PTO is stopped.
 66. Do not touch the PTO or the implement until the PTO is stopped.
 67. Do not touch the PTO or the implement until the PTO is stopped.
 68. Do not touch the PTO or the implement until the PTO is stopped.
 69. Do not touch the PTO or the implement until the PTO is stopped.
 70. Do not touch the PTO or the implement until the PTO is stopped.
 71. Do not touch the PTO or the implement until the PTO is stopped.
 72. Do not touch the PTO or the implement until the PTO is stopped.
 73. Do not touch the PTO or the implement until the PTO is stopped.
 74. Do not touch the PTO or the implement until the PTO is stopped.
 75. Do not touch the PTO or the implement until the PTO is stopped.
 76. Do not touch the PTO or the implement until the PTO is stopped.
 77. Do not touch the PTO or the implement until the PTO is stopped.
 78. Do not touch the PTO or the implement until the PTO is stopped.
 79. Do not touch the PTO or the implement until the PTO is stopped.
 80. Do not touch the PTO or the implement until the PTO is stopped.
 81. Do not touch the PTO or the implement until the PTO is stopped.
 82. Do not touch the PTO or the implement until the PTO is stopped.
 83. Do not touch the PTO or the implement until the PTO is stopped.
 84. Do not touch the PTO or the implement until the PTO is stopped.
 85. Do not touch the PTO or the implement until the PTO is stopped.
 86. Do not touch the PTO or the implement until the PTO is stopped.
 87. Do not touch the PTO or the implement until the PTO is stopped.
 88. Do not touch the PTO or the implement until the PTO is stopped.
 89. Do not touch the PTO or the implement until the PTO is stopped.
 90. Do not touch the PTO or the implement until the PTO is stopped.
 91. Do not touch the PTO or the implement until the PTO is stopped.
 92. Do not touch the PTO or the implement until the PTO is stopped.
 93. Do not touch the PTO or the implement until the PTO is stopped.
 94. Do not touch the PTO or the implement until the PTO is stopped.
 95. Do not touch the PTO or the implement until the PTO is stopped.
 96. Do not touch the PTO or the implement until the PTO is stopped.
 97. Do not touch the PTO or the implement until the PTO is stopped.
 98. Do not touch the PTO or the implement until the PTO is stopped.
 99. Do not touch the PTO or the implement until the PTO is stopped.
 100. Do not touch the PTO or the implement until the PTO is stopped.

19

WASHER FLUID ONLY

20

WARNING
 The structure's productive capability may be impaired by structural damage, overloads, or overuse. If any of these conditions occur, the structure must be replaced.

21

WARNING
 To avoid personal injury:
 1. Attach pulled or towed loads to the drawbar only.
 2. Use the 3-point hitch only with equipment designed for 3-point hitch usage.

22

M
 F
 W
 D

23

전원차단 스위치 명판

24

CAUTION

25

CAUTION
 Front LED BAR
 1800±20 St. turned
 off when parking
 on the road.
 11. 130. 02800
 021. 08000. 0202100
 0202100. 0210000
 BAR only when
 working at night.
 TA0009745A

26

↑
 (P)

27

TZE4130000B4

24

WARNING
 Before dismounting tractor
 1. Park on level ground.
 2. Turn the key to the "OFF" position.
 3. Turn the key to the "OFF" position.
 4. Turn the key to the "OFF" position.
 5. Turn the key to the "OFF" position.
 6. Turn the key to the "OFF" position.
 7. Turn the key to the "OFF" position.
 8. Turn the key to the "OFF" position.
 9. Turn the key to the "OFF" position.
 10. Turn the key to the "OFF" position.
 11. Turn the key to the "OFF" position.
 12. Turn the key to the "OFF" position.
 13. Turn the key to the "OFF" position.
 14. Turn the key to the "OFF" position.
 15. Turn the key to the "OFF" position.
 16. Turn the key to the "OFF" position.
 17. Turn the key to the "OFF" position.
 18. Turn the key to the "OFF" position.
 19. Turn the key to the "OFF" position.
 20. Turn the key to the "OFF" position.
 21. Turn the key to the "OFF" position.
 22. Turn the key to the "OFF" position.
 23. Turn the key to the "OFF" position.
 24. Turn the key to the "OFF" position.
 25. Turn the key to the "OFF" position.
 26. Turn the key to the "OFF" position.
 27. Turn the key to the "OFF" position.
 28. Turn the key to the "OFF" position.
 29. Turn the key to the "OFF" position.
 30. Turn the key to the "OFF" position.
 31. Turn the key to the "OFF" position.
 32. Turn the key to the "OFF" position.
 33. Turn the key to the "OFF" position.
 34. Turn the key to the "OFF" position.
 35. Turn the key to the "OFF" position.
 36. Turn the key to the "OFF" position.
 37. Turn the key to the "OFF" position.
 38. Turn the key to the "OFF" position.
 39. Turn the key to the "OFF" position.
 40. Turn the key to the "OFF" position.
 41. Turn the key to the "OFF" position.
 42. Turn the key to the "OFF" position.
 43. Turn the key to the "OFF" position.
 44. Turn the key to the "OFF" position.
 45. Turn the key to the "OFF" position.
 46. Turn the key to the "OFF" position.
 47. Turn the key to the "OFF" position.
 48. Turn the key to the "OFF" position.
 49. Turn the key to the "OFF" position.
 50. Turn the key to the "OFF" position.
 51. Turn the key to the "OFF" position.
 52. Turn the key to the "OFF" position.
 53. Turn the key to the "OFF" position.
 54. Turn the key to the "OFF" position.
 55. Turn the key to the "OFF" position.
 56. Turn the key to the "OFF" position.
 57. Turn the key to the "OFF" position.
 58. Turn the key to the "OFF" position.
 59. Turn the key to the "OFF" position.
 60. Turn the key to the "OFF" position.
 61. Turn the key to the "OFF" position.
 62. Turn the key to the "OFF" position.
 63. Turn the key to the "OFF" position.
 64. Turn the key to the "OFF" position.
 65. Turn the key to the "OFF" position.
 66. Turn the key to the "OFF" position.
 67. Turn the key to the "OFF" position.
 68. Turn the key to the "OFF" position.
 69. Turn the key to the "OFF" position.
 70. Turn the key to the "OFF" position.
 71. Turn the key to the "OFF" position.
 72. Turn the key to the "OFF" position.
 73. Turn the key to the "OFF" position.
 74. Turn the key to the "OFF" position.
 75. Turn the key to the "OFF" position.
 76. Turn the key to the "OFF" position.
 77. Turn the key to the "OFF" position.
 78. Turn the key to the "OFF" position.
 79. Turn the key to the "OFF" position.
 80. Turn the key to the "OFF" position.
 81. Turn the key to the "OFF" position.
 82. Turn the key to the "OFF" position.
 83. Turn the key to the "OFF" position.
 84. Turn the key to the "OFF" position.
 85. Turn the key to the "OFF" position.
 86. Turn the key to the "OFF" position.
 87. Turn the key to the "OFF" position.
 88. Turn the key to the "OFF" position.
 89. Turn the key to the "OFF" position.
 90. Turn the key to the "OFF" position.
 91. Turn the key to the "OFF" position.
 92. Turn the key to the "OFF" position.
 93. Turn the key to the "OFF" position.
 94. Turn the key to the "OFF" position.
 95. Turn the key to the "OFF" position.
 96. Turn the key to the "OFF" position.
 97. Turn the key to the "OFF" position.
 98. Turn the key to the "OFF" position.
 99. Turn the key to the "OFF" position.
 100. Turn the key to the "OFF" position.

25

TYM CORPORATION
 EU E6
 PN NUMBER
 TOTAL KG A1 KG A2 KG
 P-1 T-1 T-2 T-3
 P-2 T-1 T-2 T-3
 P-3 T-1 T-2 T-3
 P-4 T-1 T-2 T-3

26

WARNING

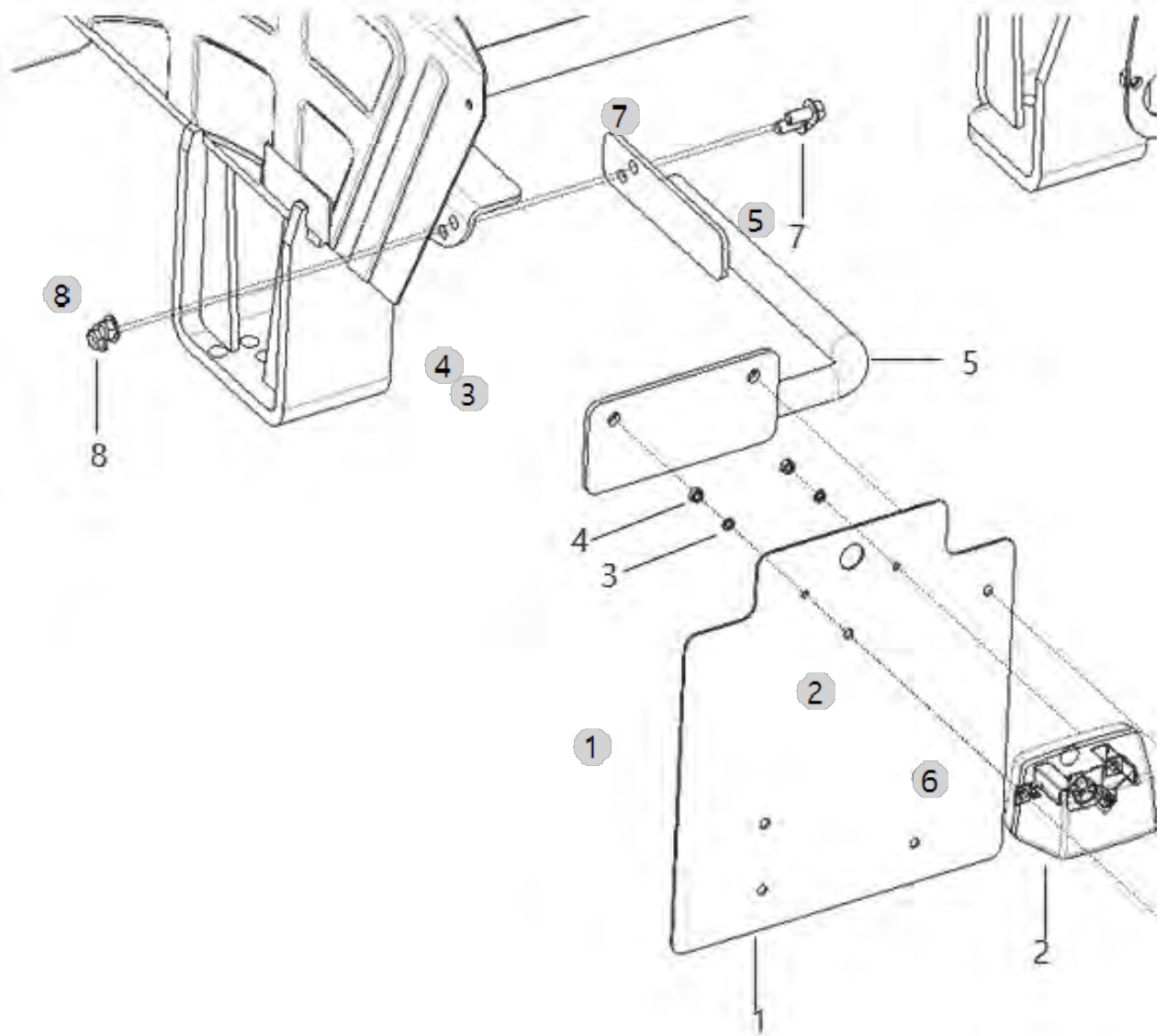
I03060

F50CHN_EU_FL
(AC02151)

NUMBER PALTE ASS'Y

Year/Month

2023-01-18



I05000

F50CHN_EU_FL
(AC02151)

TIRE

Year/Month

2023-01-18

